



US00D777478S

(12) **United States Design Patent**
Krauss

(10) **Patent No.:** **US D777,478 S**
(45) **Date of Patent:** **** Jan. 31, 2017**

(54) **RETAIL DISPLAY**
(71) Applicant: **Google Inc.**, Mountain View, CA (US)
(72) Inventor: **Alessio Krauss**, San Francisco, CA (US)
(73) Assignee: **Google Inc.**, Mountain View, CA (US)
(**) Term: **15 Years**

D528,825 S * 9/2006 Ridout D6/682.4
D612,171 S * 3/2010 Wade D6/629
D622,977 S * 9/2010 Wade D6/675.4
D647,996 S * 11/2011 Griffin D23/200
D661,124 S * 6/2012 Curbbun D20/10
D662,329 S * 6/2012 Arko D6/332
D730,663 S * 6/2015 Logan D6/675
9,076,354 B1 * 7/2015 Peota G09F 15/0012
D752,573 S * 3/2016 Ballman D14/307
D762,635 S * 8/2016 Szeredi D14/307

* cited by examiner

(21) Appl. No.: **29/531,962**

Primary Examiner — Kelley Donnelly

(22) Filed: **Jun. 30, 2015**

(51) **LOC (10) Cl.** **06-06**

(57) **CLAIM**

(52) **U.S. Cl.**
USPC **D6/675**

I claim the ornamental design for a retail display, as shown and described.

(58) **Field of Classification Search**
USPC D6/672, 673, 675–675.1, 675.3, 675.4
CPC A47F 1/00; A47F 5/0081; A47F 5/04; A47F 7/00
See application file for complete search history.

DESCRIPTION

(56) **References Cited**

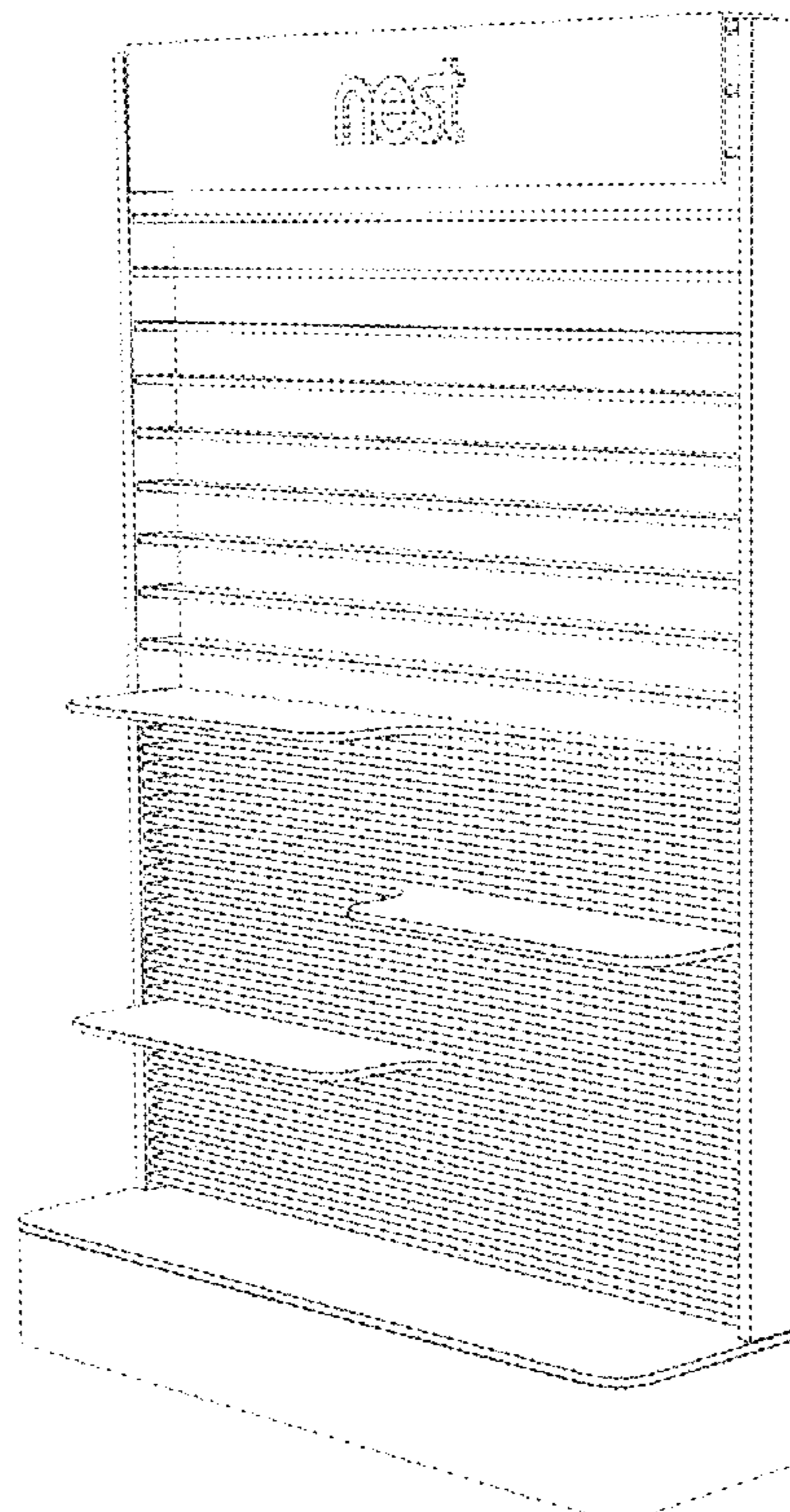
U.S. PATENT DOCUMENTS

4,103,782 A * 8/1978 Mayer A47B 47/04
211/126.1
D279,201 S * 6/1985 Shuman D20/10
D307,838 S * 5/1990 Johnston D6/675.4
D322,523 S * 12/1991 Brooks D6/675.4
D386,919 S * 12/1997 Adenau D6/675.4
D455,789 S * 4/2002 Schlueter D20/10
D468,936 S * 1/2003 Miranda D6/675.4

FIG. 1 is a front side perspective view of the retail display of the present invention;
FIG. 2 is a front view thereof;
FIG. 3 is an overhead perspective view thereof; and,
FIG. 4 is a left side view; the right side being a mirror image thereof.

The broken lines showing is included for the purpose of illustrating environment and forms no part of the claimed design. A back view and bottom view are omitted because the back and bottom of the invention are not visible during ordinary use and form no part of the protection sought.

1 Claim, 4 Drawing Sheets



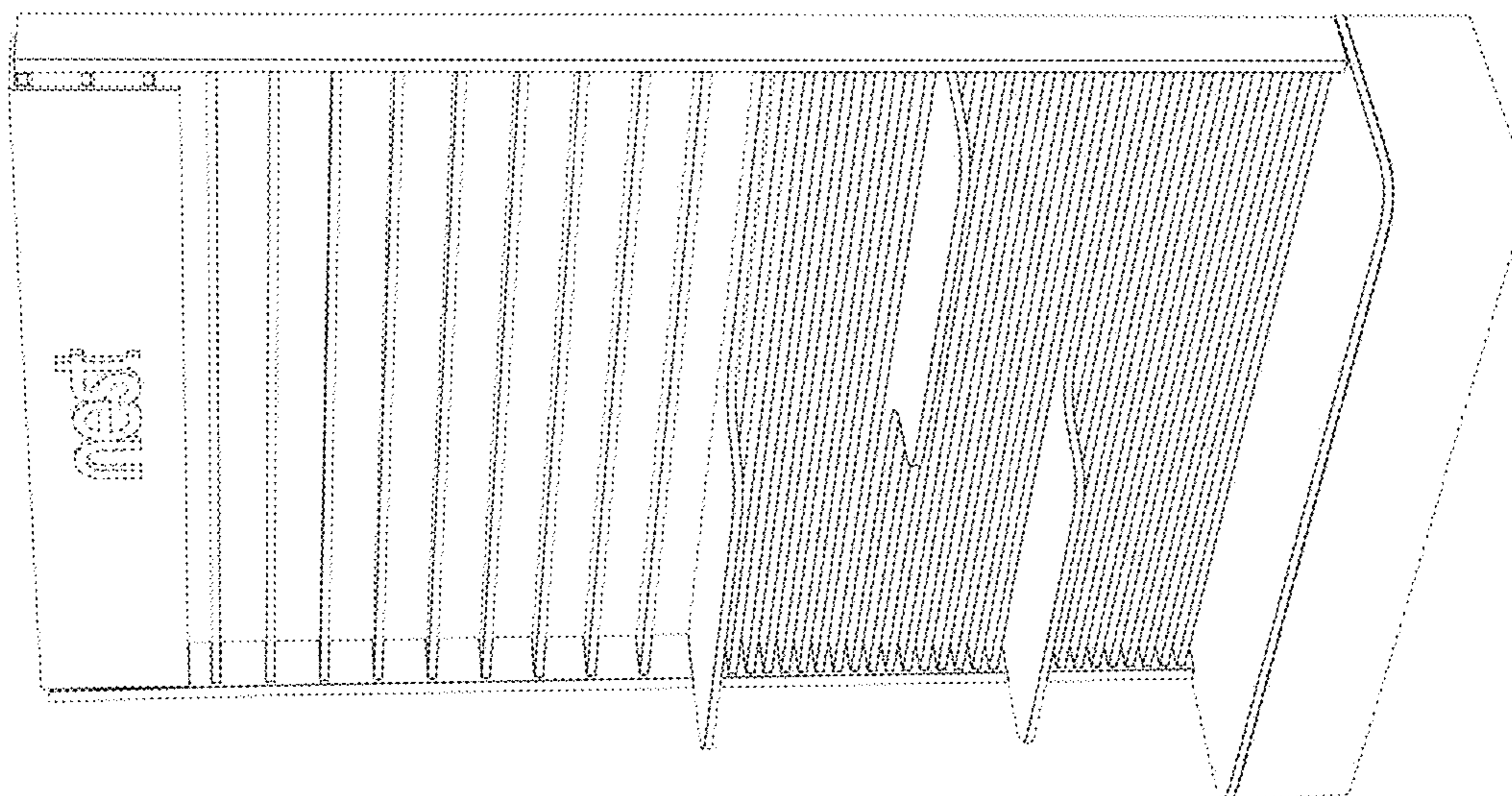


FIG. 1

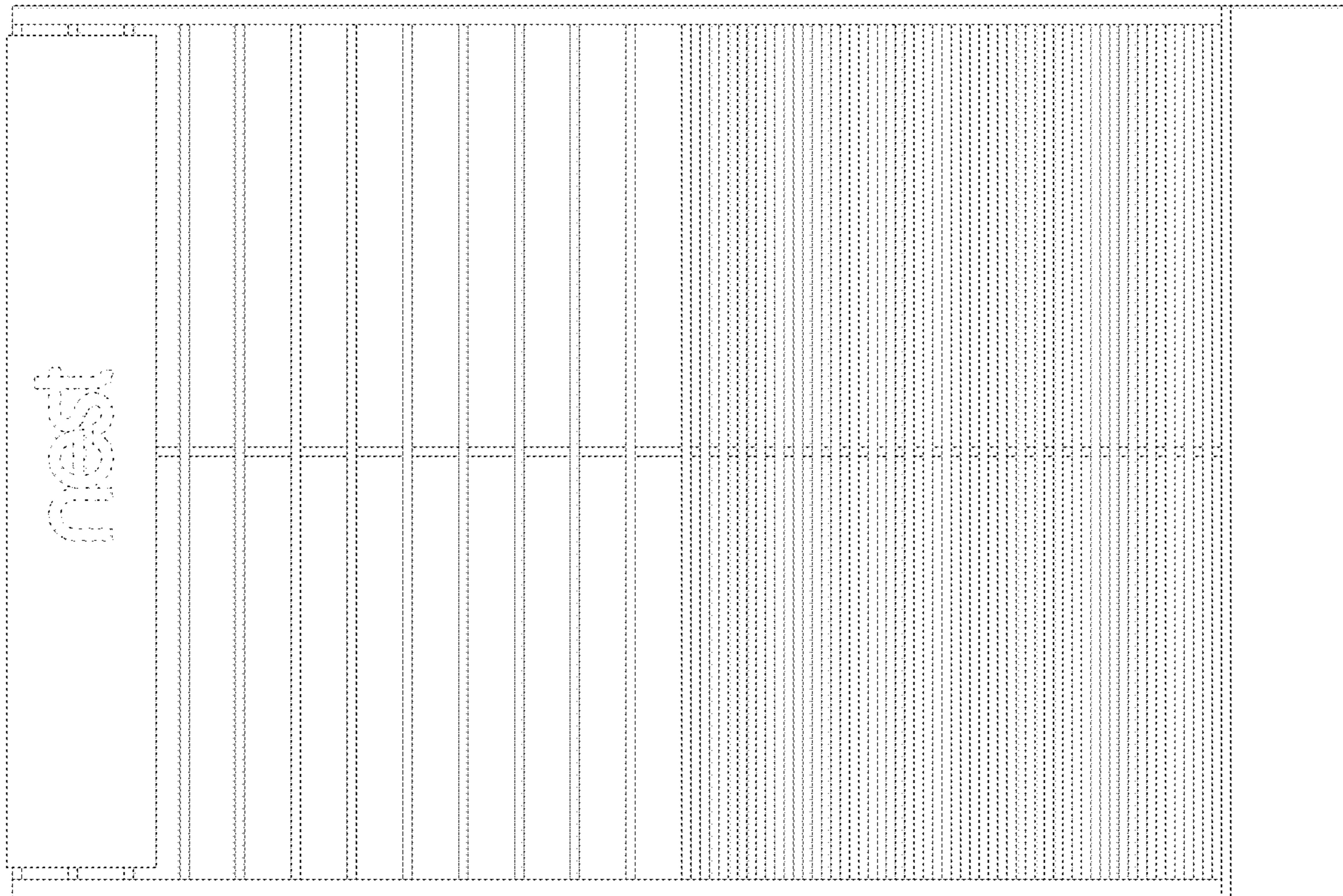


FIG. 2

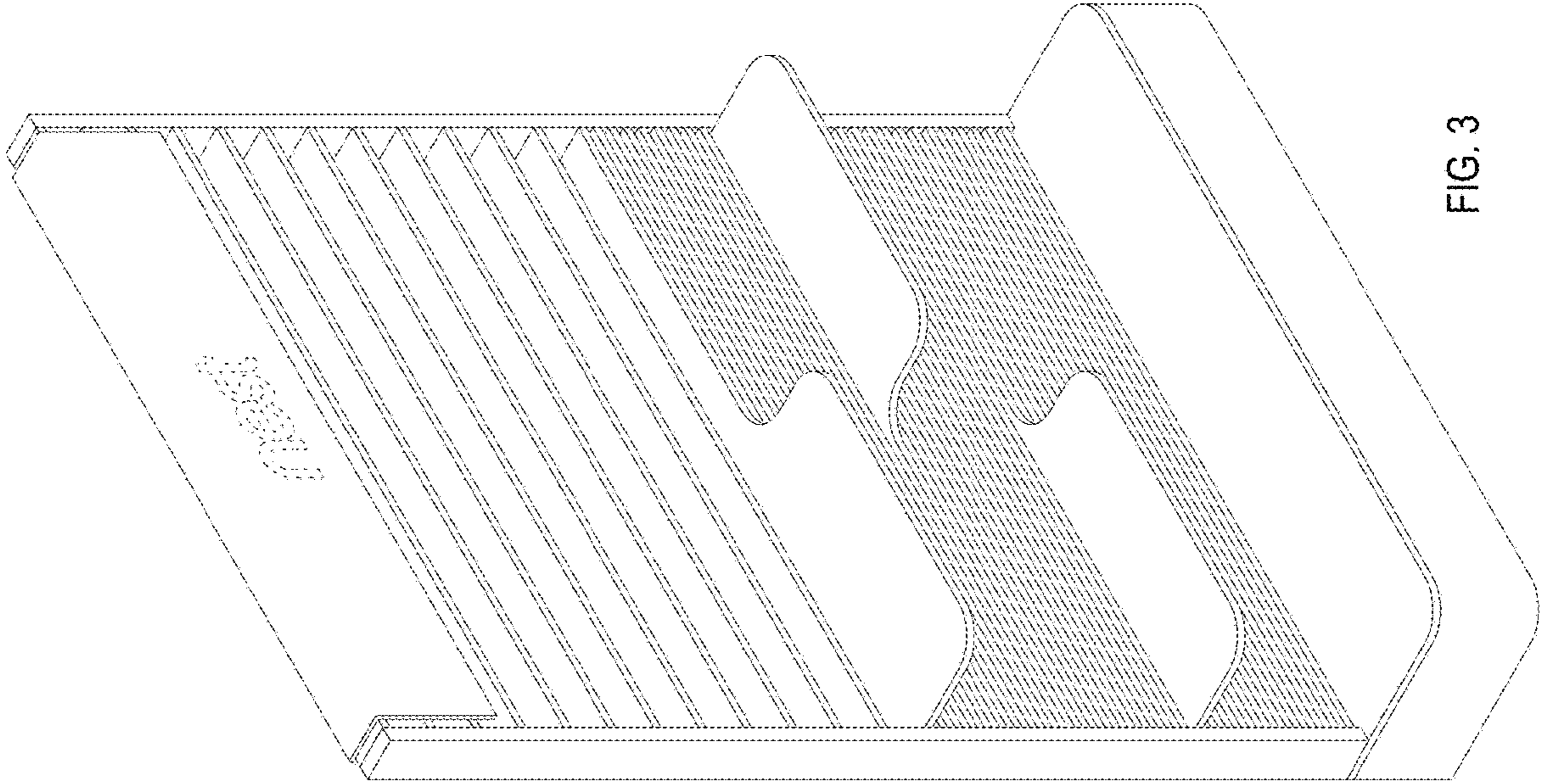


FIG. 3

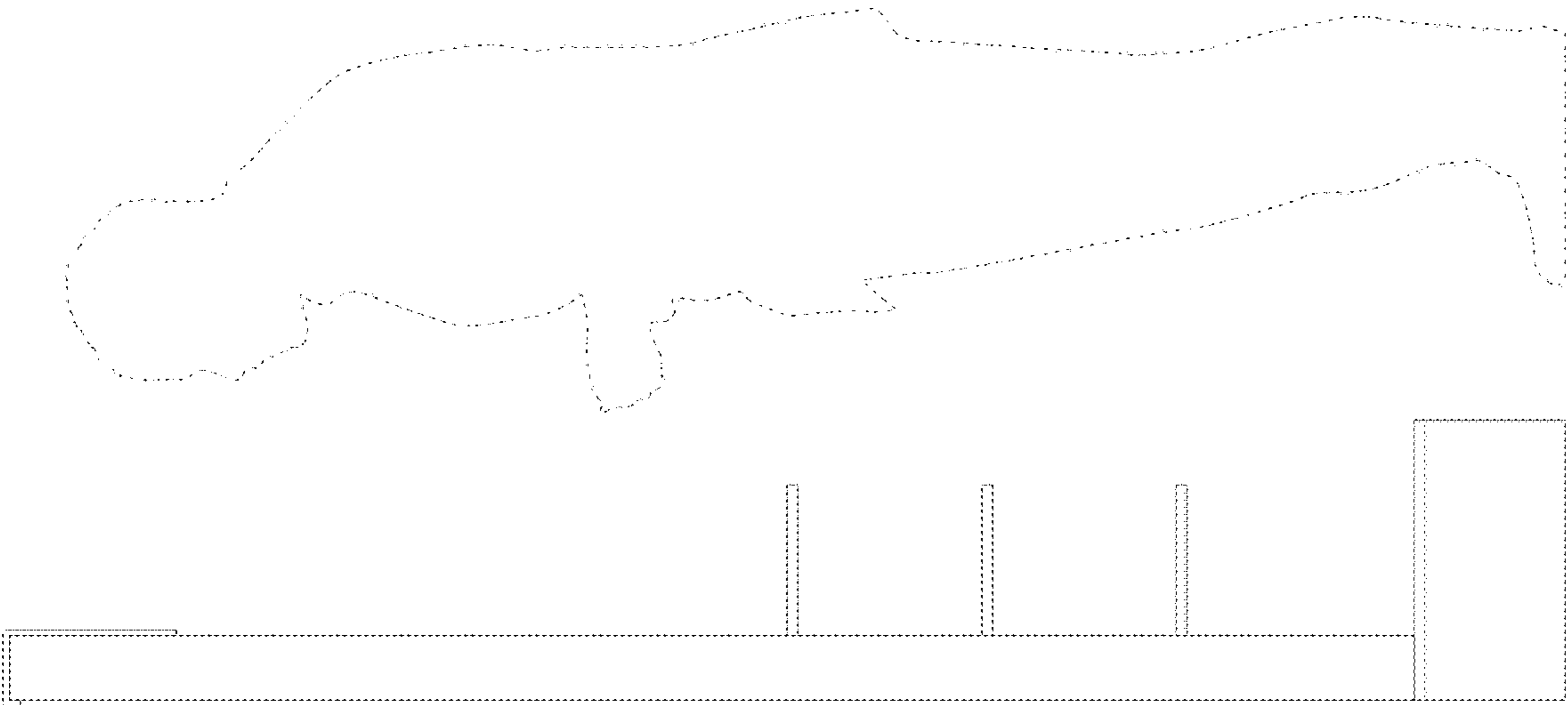


FIG. 4