



US00D777476S

(12) **United States Design Patent** (10) **Patent No.:** **US D777,476 S**  
**Thomas** (45) **Date of Patent:** **\*\* Jan. 31, 2017**

(54) **CABINET FOR STORING AND DISPLAYING PHOTO MATERIALS**

(71) Applicant: **Joyce V. Thomas**, Frederiksted, VI (US)

(72) Inventor: **Joyce V. Thomas**, Frederiksted, VI (US)

(\*\*) Term: **15 Years**

(21) Appl. No.: **29/531,515**

(22) Filed: **Jun. 26, 2015**

(51) **LOC (10) Cl.** ..... **06-04**

(52) **U.S. Cl.**  
USPC ..... **D6/665; D6/671.4**

(58) **Field of Classification Search**  
USPC ..... D6/663, 665, 667, 671, 671.1, 671.2, D6/671.3, 671.4  
CPC ..... A47B 17/04; A47B 47/00; A47B 47/02; A47B 47/03; A47B 47/04; A47B 61/00; A47B 63/00; A47F 3/06  
See application file for complete search history.

(56) **References Cited**

**U.S. PATENT DOCUMENTS**

1,644,716 A *	10/1927	Fain	.....	A47B 61/00 312/330.1
D87,596 S *	8/1932	Schaadt	.....	D6/671.4
D227,840 S *	7/1973	Adkinson	.....	D6/665
D314,464 S *	2/1991	Justice	.....	D6/671.4
D390,042 S *	2/1998	Walters, III	.....	D6/671.4
6,352,321 B1 *	3/2002	Munoz	.....	A47F 3/00 312/119
D507,896 S *	8/2005	DeGiulio	.....	D6/661
D686,436 S *	7/2013	Berman	.....	D6/661

\* cited by examiner

Primary Examiner — Mimosa De

(74) Attorney, Agent, or Firm — Rosenberg, Klein & Lee

(57) **CLAIM**

The ornamental design for a cabinet for storing and displaying photo materials, as shown and described.

**DESCRIPTION**

FIG. 1 is a frontal top left perspective view of a cabinet for storing and displaying photo materials showing an exemplary embodiment of my present design, with front door and drawer portions thereof shown opened to expose respective compartments, and two top cover portions each contoured substantially in a shape reminiscent of half an open book shown closed along a center seam;

FIG. 2 is a frontal top right perspective view of the cabinet as shown in FIG. 1;

FIG. 3 is a frontal elevational view of the cabinet as shown in FIG. 1;

FIG. 4 is a frontal top left perspective view of the cabinet shown in FIG. 1, with the front door and drawer portions thereof shown closed, and the two top cover portions shown closed along the center seam to collectively maintain a general appearance reminiscent of an open book resting on top of the cabinet;

FIG. 5 is a frontal elevational view of the cabinet as shown in FIG. 4;

FIG. 6 is a left side elevational view of the cabinet as shown in FIG. 4;

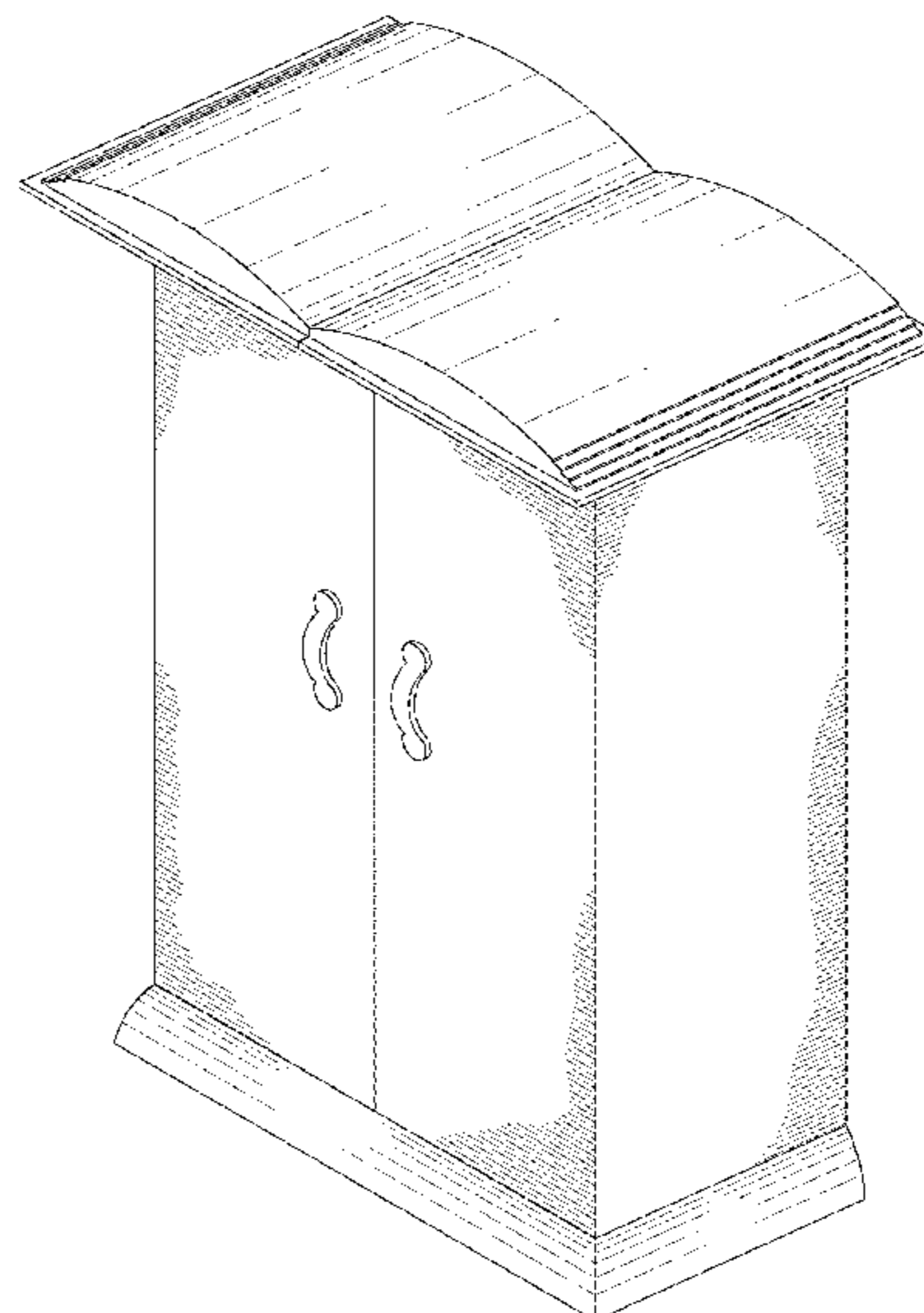
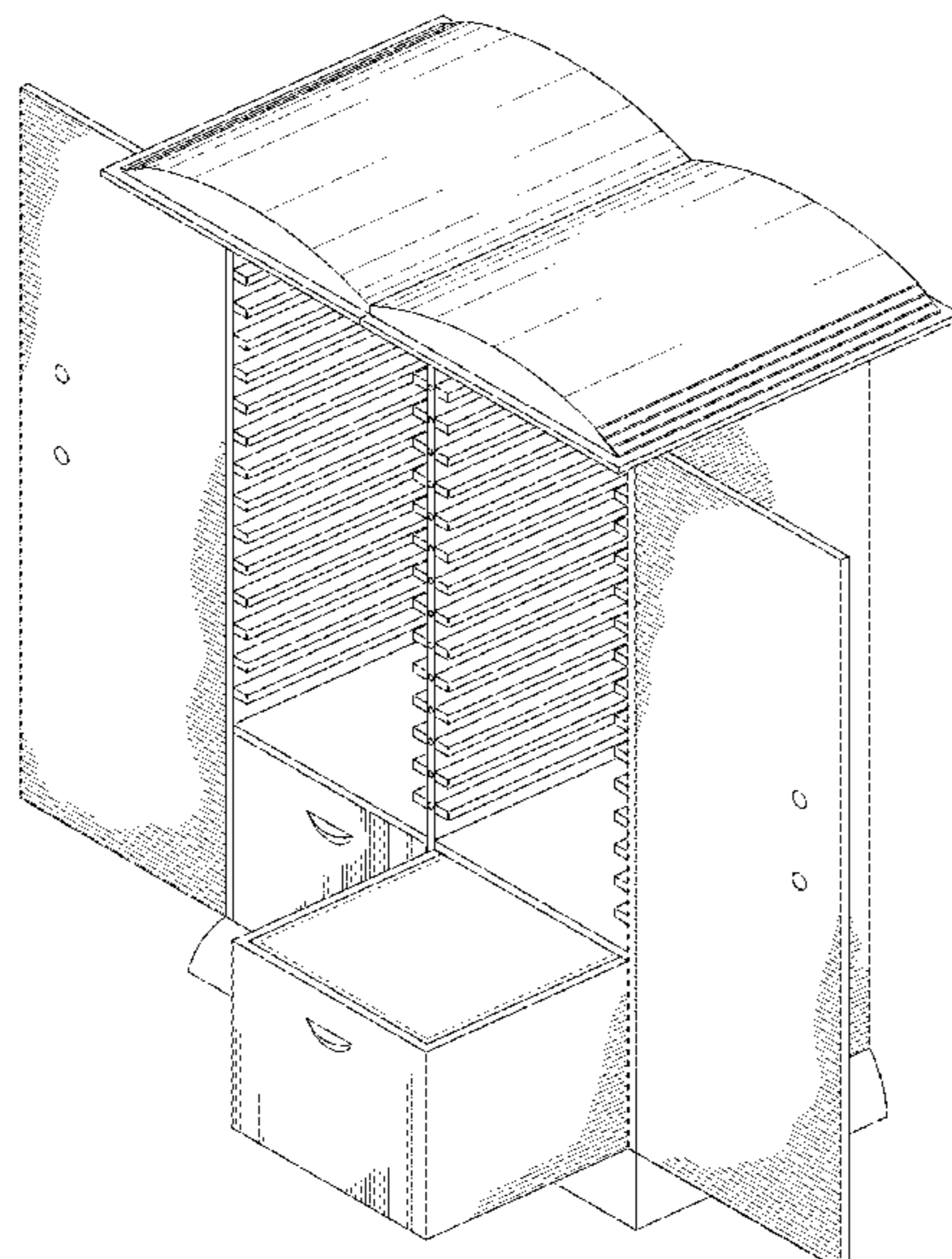
FIG. 7 is a rear elevational view of the cabinet as shown in FIG. 4;

FIG. 8 is a top plan view of the cabinet as shown in FIG. 4; and,

FIG. 9 is a bottom plan view of the cabinet as shown in FIG. 4.

The features represented in broken dashed lines in FIGS. 1-3, 5-7, and 9 are directed to environment and are for illustrative purposes only, and form no part of the claimed design.

**1 Claim, 8 Drawing Sheets**





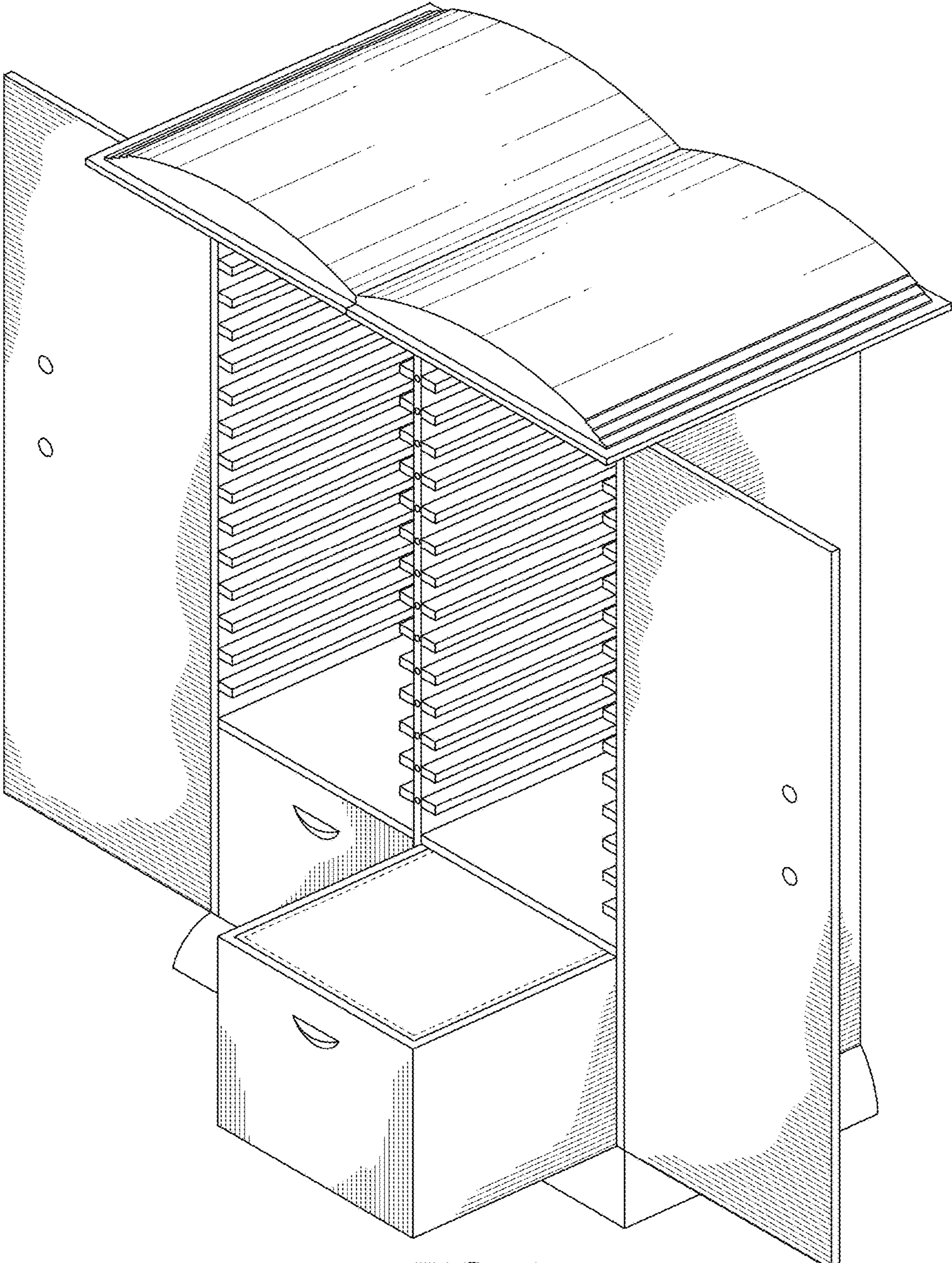


FIG. 1



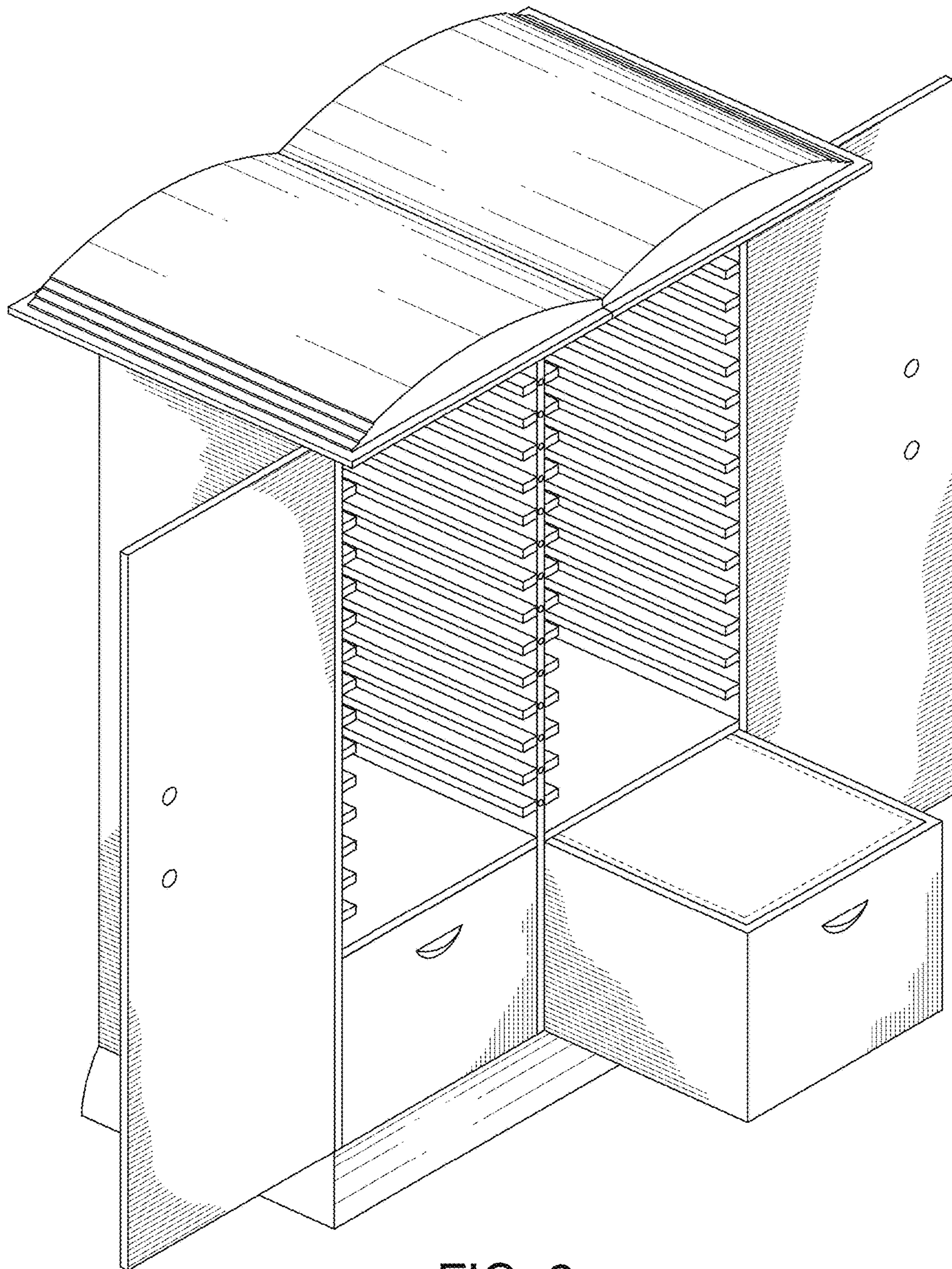


FIG. 2

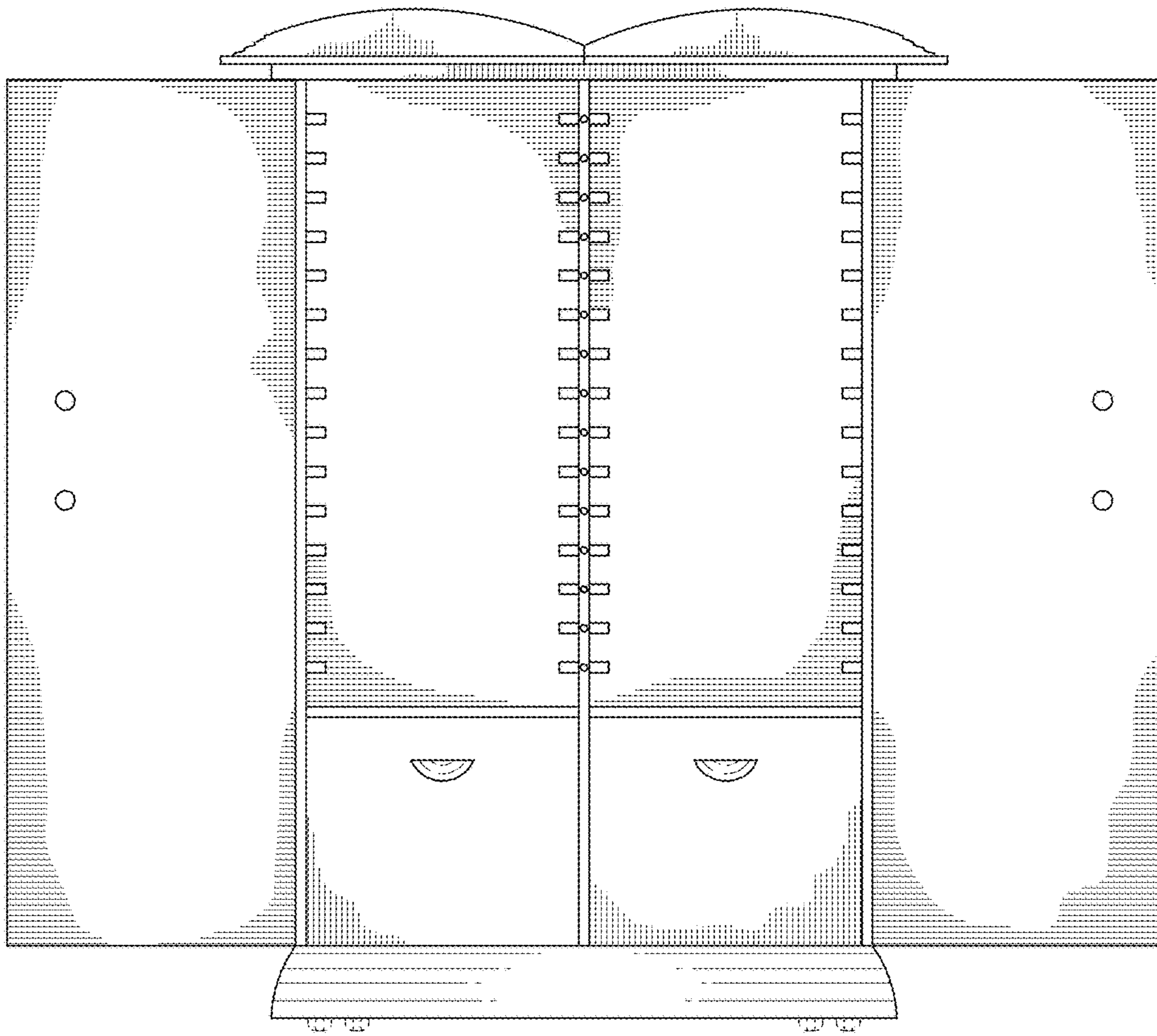


FIG. 3



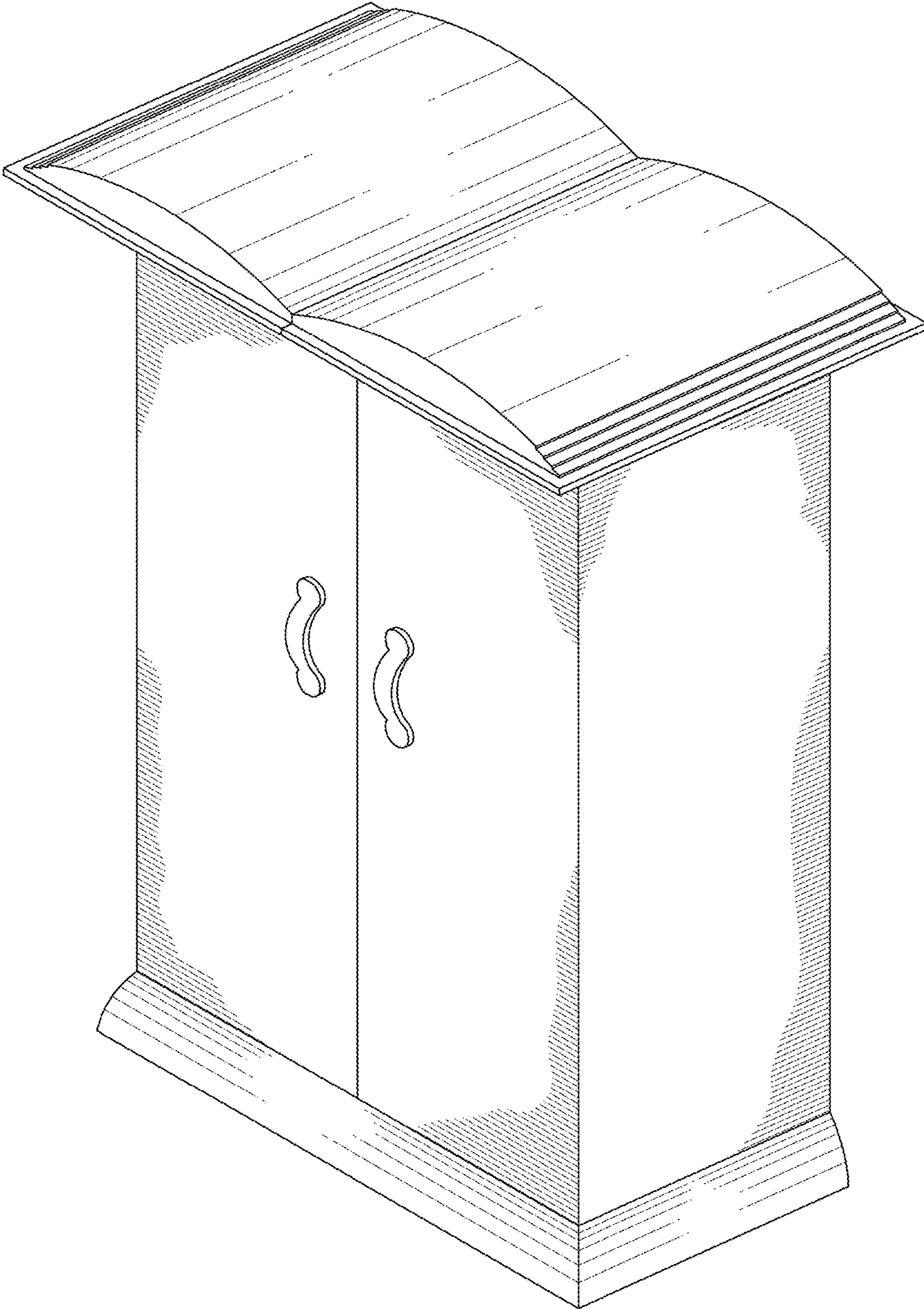


FIG. 4

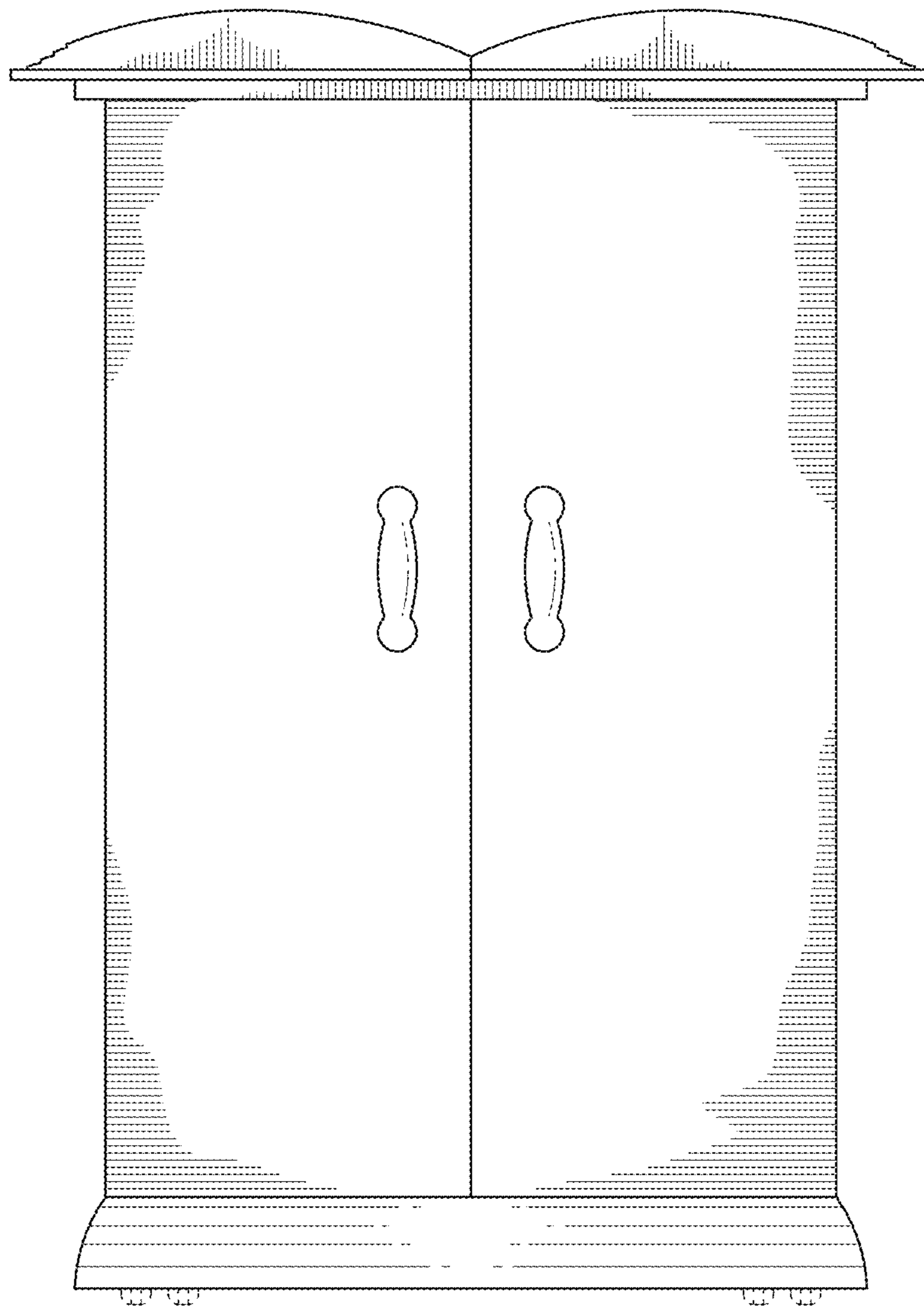


FIG. 5

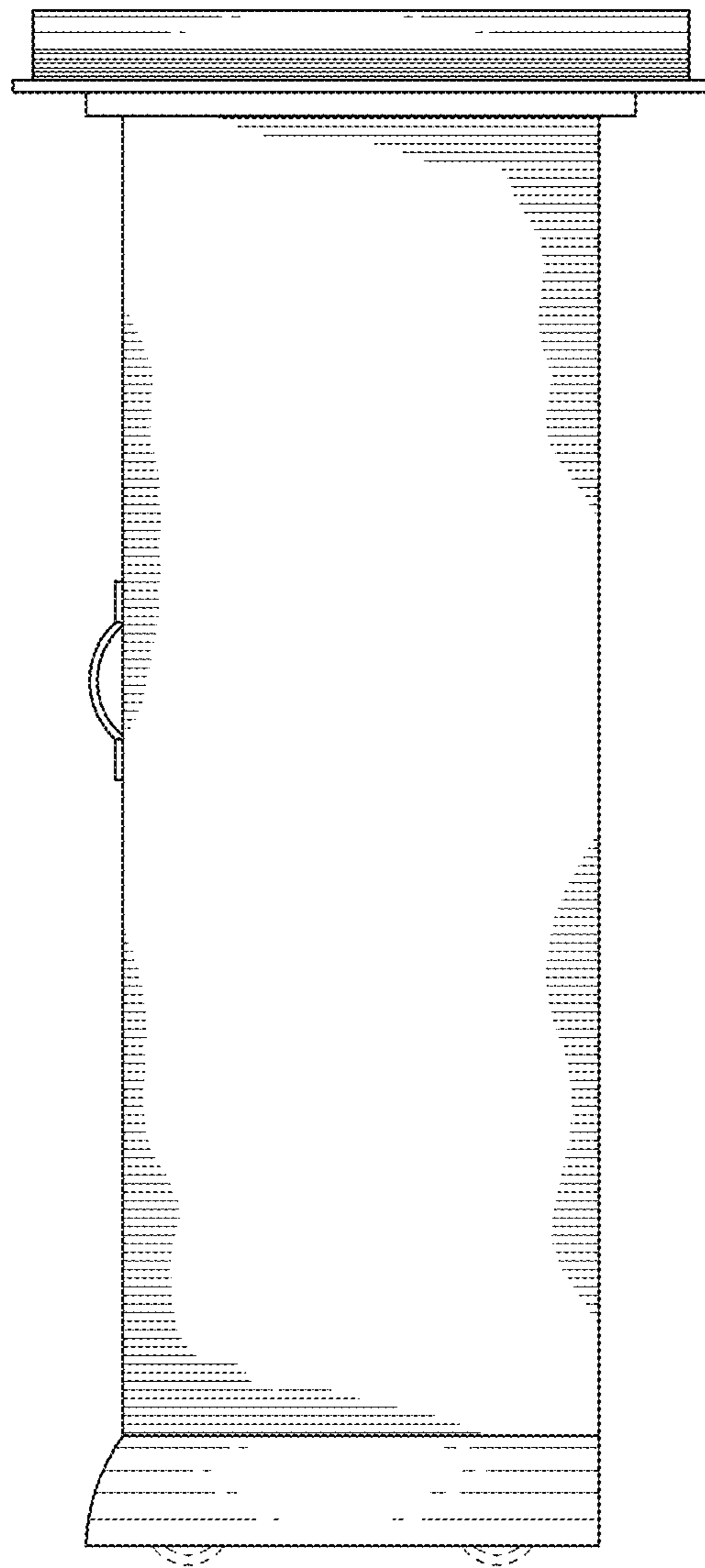


FIG. 6

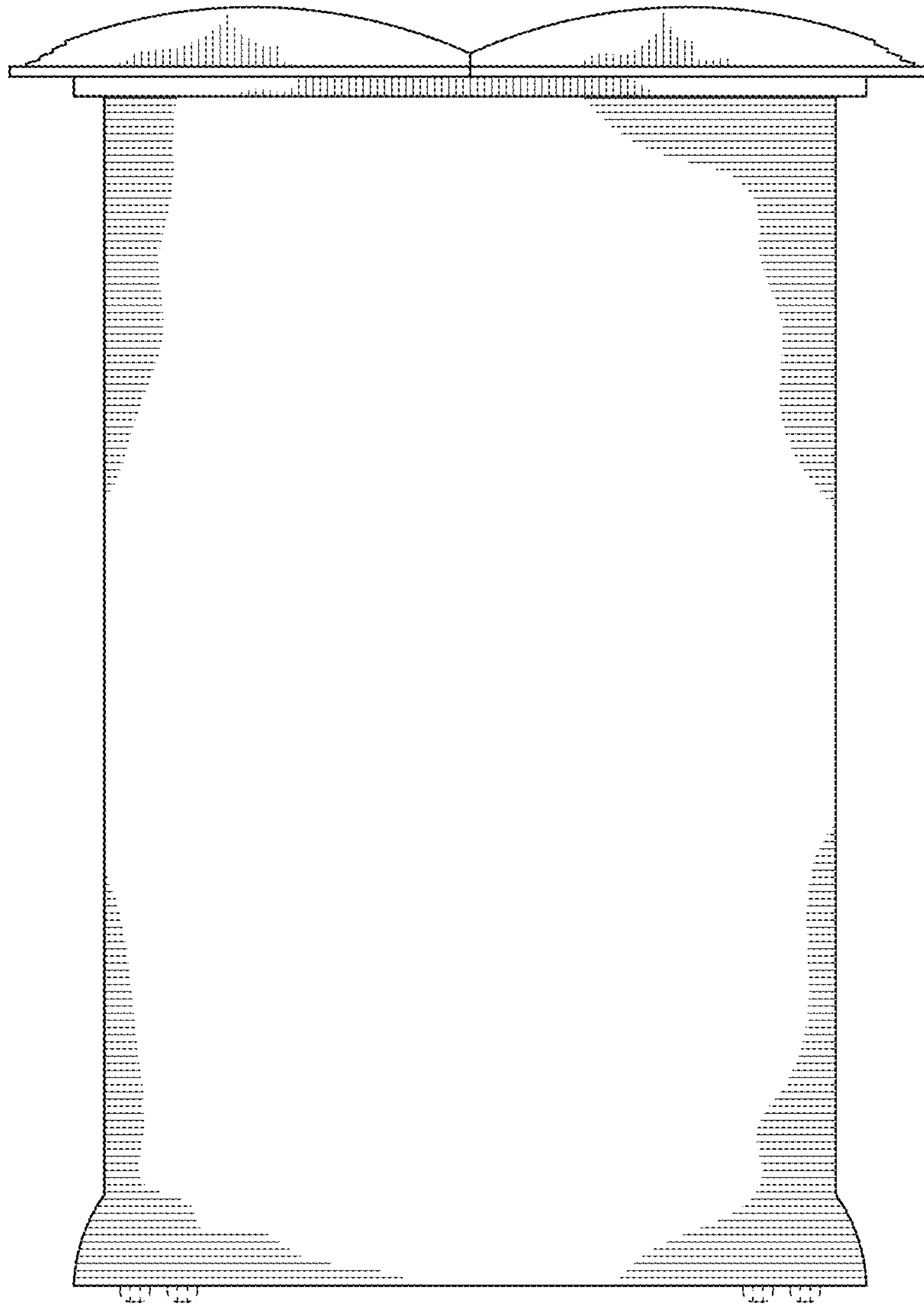


FIG. 7



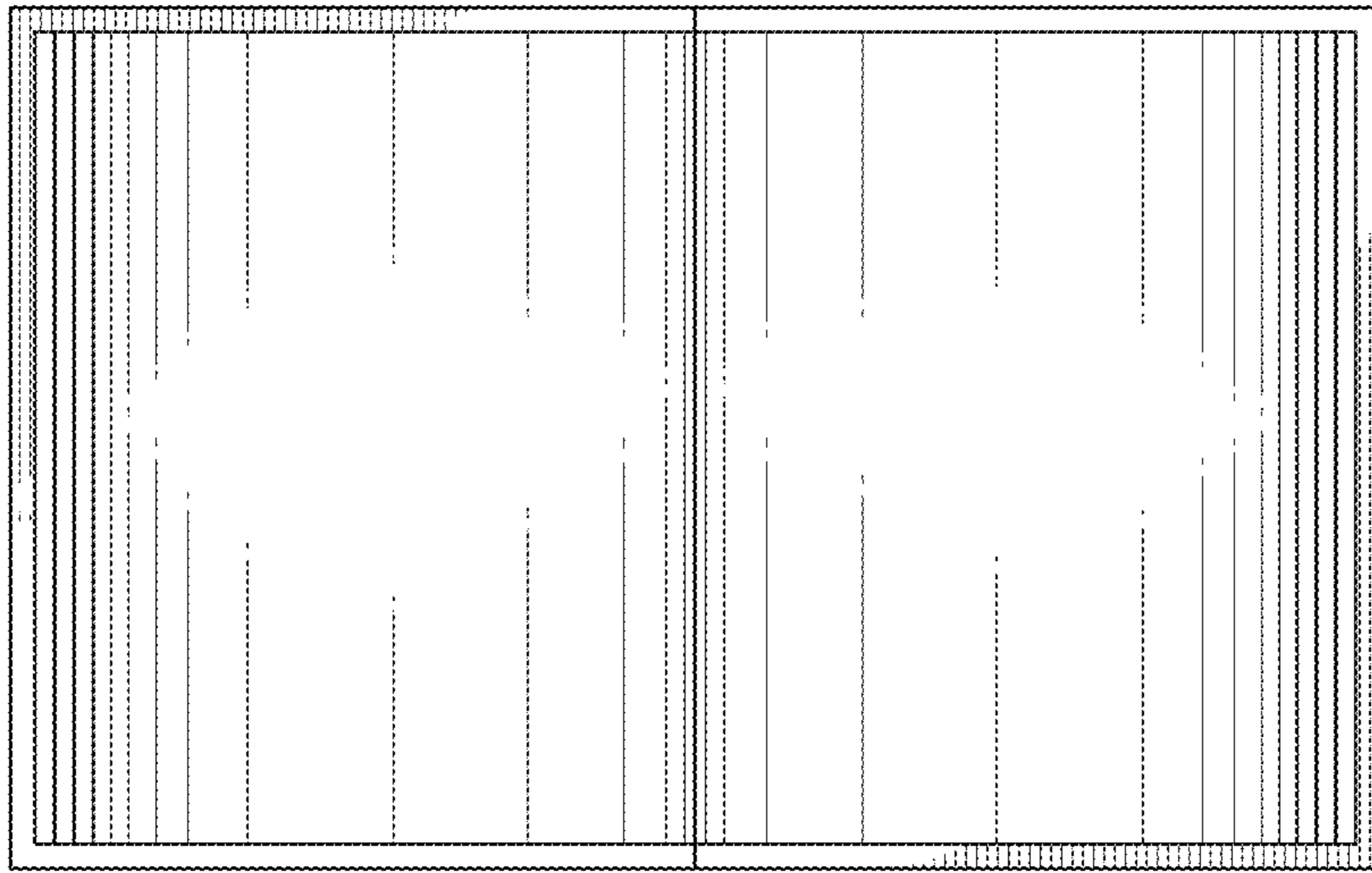


FIG. 8

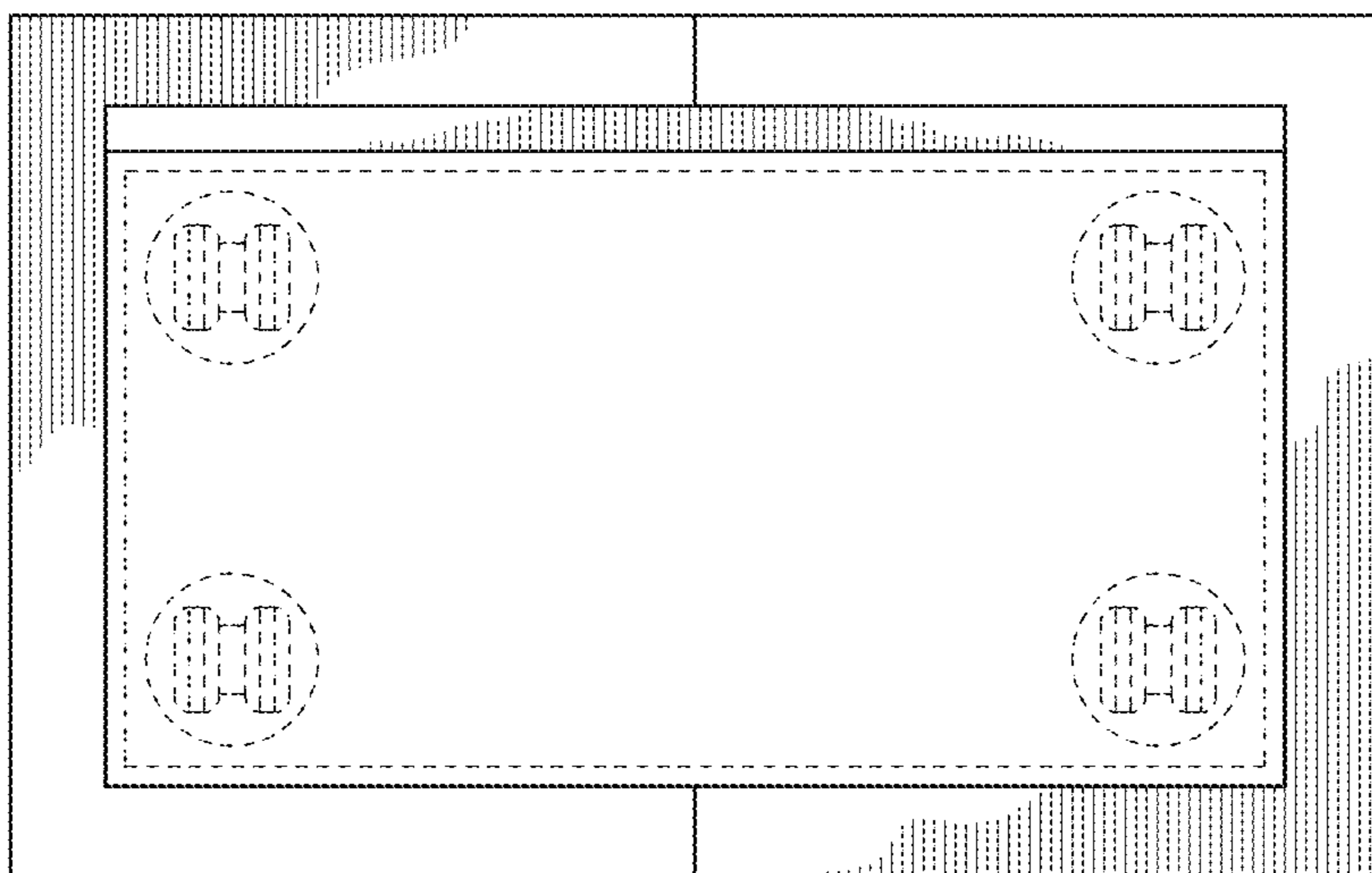


FIG. 9