



US00D777471S

(12) **United States Design Patent**  
**Knight**

(10) **Patent No.:** **US D777,471 S**

(45) **Date of Patent:** **\*\* Jan. 31, 2017**

(54) **MOUNT**

(71) Applicant: **Home Depot Product Authority, LLC**,  
Atlanta, GA (US)

(72) Inventor: **Erica Knight**, Chamblee, GA (US)

(73) Assignee: **Home Depot Product Authority, LLC**,  
Atlanta, GA (US)

(\*\*) Term: **14 Years**

(21) Appl. No.: **29/506,270**

(22) Filed: **Oct. 14, 2014**

(51) **LOC (10) Cl.** ..... **06-04**

(52) **U.S. Cl.**  
USPC ..... **D6/567**

(58) **Field of Classification Search**  
USPC ..... D6/315–328, 552, 553, 566; 223/85–98;  
211/1, 10, 13.1, 30, 32, 85.3, 85.7, 87.01,  
211/113; D8/372; 248/303  
CPC ..... A47G 25/32; A47G 25/28; A47G 25/10;  
A47G 25/743; A47G 25/746; A47G  
25/36; A47G 25/0664; A47G  
29/08; A47G 33/1246; A47G  
29/00; A47F 5/0006; A47F 7/06; A47F  
5/0018; A47F 5/08; A47F 7/19; A47F  
7/0028; A47F 5/0823; A47F  
5/0815; A47F 5/0876; A47F 5/101  
See application file for complete search history.

(56) **References Cited**

U.S. PATENT DOCUMENTS

- 257,533 A \* 5/1882 Taylor ..... A47G 25/0607  
248/303
- 305,860 A \* 9/1884 Taylor ..... A47G 25/0607  
248/303
- 305,861 A \* 9/1884 Taylor ..... A47G 25/0607  
248/303
- 670,680 A \* 3/1901 Marek ..... A47G 25/06  
248/303

- 921,703 A \* 5/1909 Hubbard ..... A47G 25/0607  
248/303
  - 4,372,450 A \* 2/1983 Licari ..... A47G 25/0678  
211/106.01
  - 4,658,967 A \* 4/1987 Wang ..... A47G 25/0678  
211/182
  - D324,783 S \* 3/1992 Greenhut ..... D6/323
  - 6,439,404 B1 \* 8/2002 Steeg ..... A47F 5/08  
211/55
  - D473,455 S \* 4/2003 Goodman ..... D6/513
- (Continued)

OTHER PUBLICATIONS

Office Action received in Canadian Counterpart Application 162124 dated Aug. 18, 2016 (2 pages).

*Primary Examiner* — Derrick Holland

*Assistant Examiner* — Lauren Calve

(74) *Attorney, Agent, or Firm* — Greenberg Traurig, LLP

(57) **CLAIM**

The ornamental design for a mount, as shown and described.

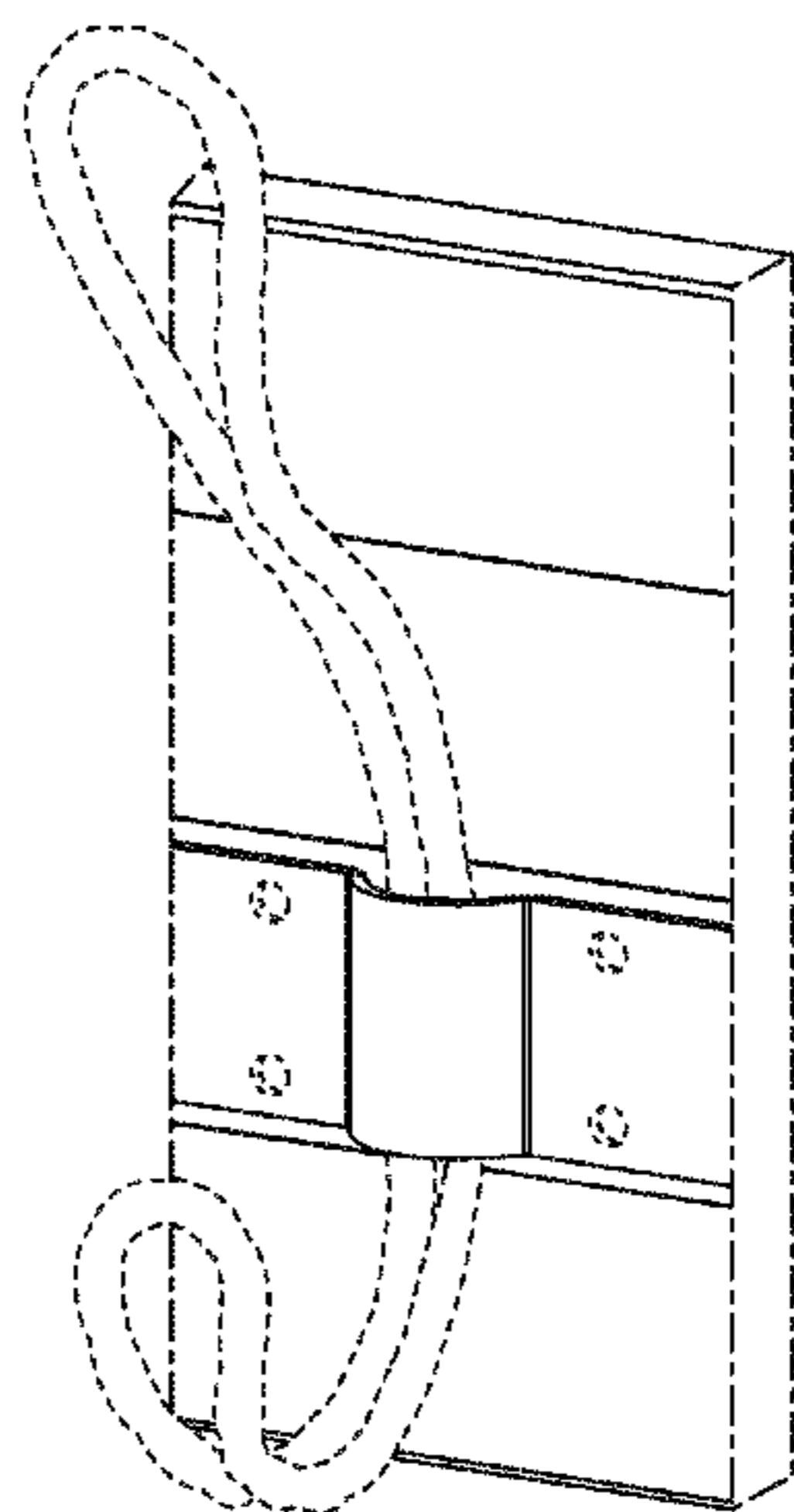
**DESCRIPTION**

FIG. 1 is a perspective view of a mount of my design;  
 FIG. 2 is a front view thereof;  
 FIG. 3 is a right side view thereof, the left side view thereof being a mirror image;  
 FIG. 4 is a top view thereof; and,  
 FIG. 5 is a bottom view thereof.

The broken lines shown represent unclaimed subject matter and form no part of the claimed design. The long dash—short dash lines that abut a claimed surface represent an unclaimed boundary between claimed and unclaimed surfaces and form no part of the claimed design. No claim is made to any particular finish of any depicted surface in the figures.

The back view not shown or described in the specification forms no part of the claimed design.

**1 Claim, 5 Drawing Sheets**



(56)

**References Cited**

U.S. PATENT DOCUMENTS

D483,655	S	*	12/2003	Dretzka	.....	D8/367
D553,960	S	*	10/2007	Schmidt	.....	D8/372
D610,815	S	*	3/2010	Goodman	.....	D6/320
D651,414	S	*	1/2012	Noe	.....	D6/323
D654,737	S	*	2/2012	Guindi	.....	D6/514
D666,856	S	*	9/2012	Goodman	.....	D6/566
D666,858	S	*	9/2012	Goodman	.....	D6/566
D666,859	S	*	9/2012	Goodman	.....	D6/566

\* cited by examiner

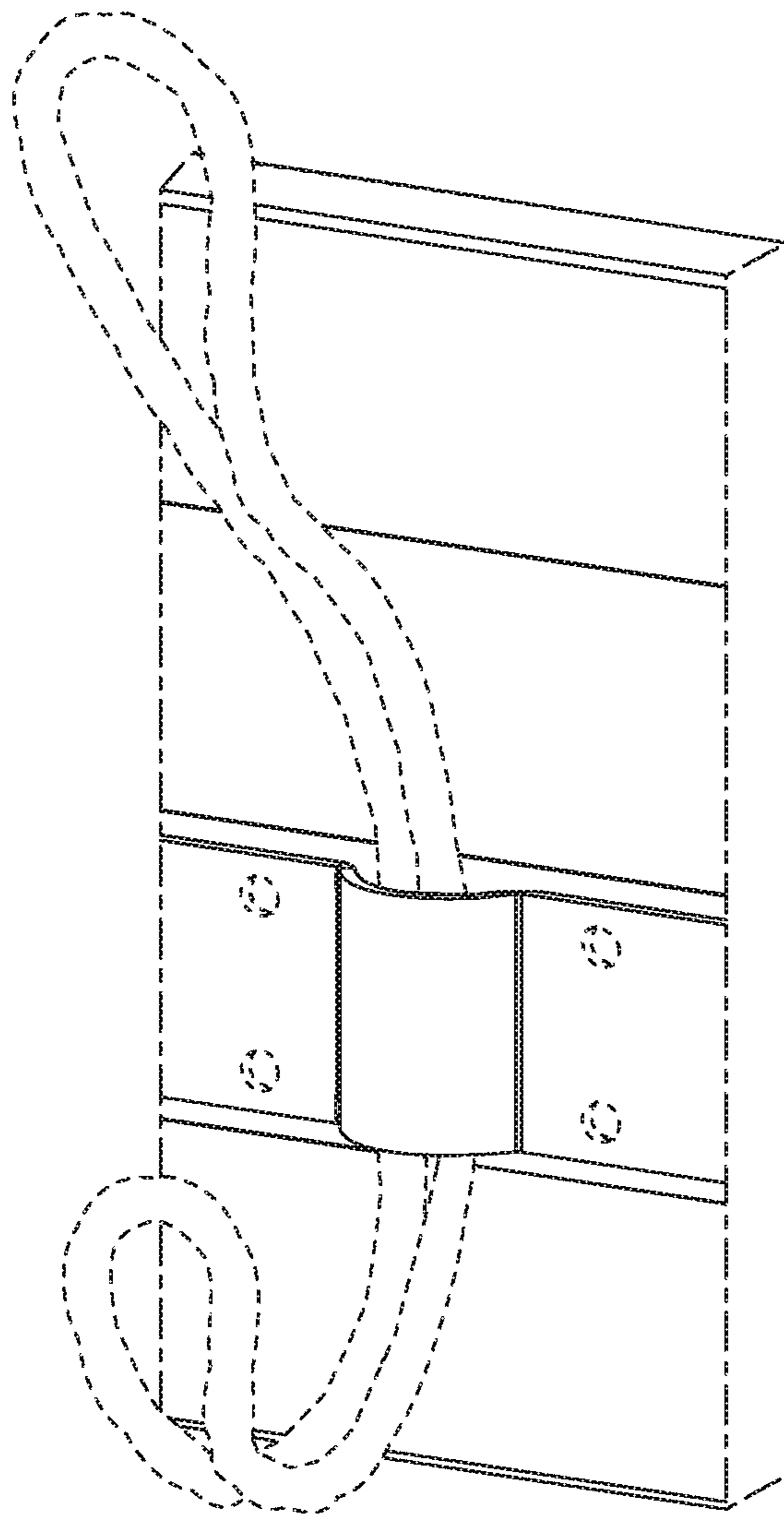


FIG. 1

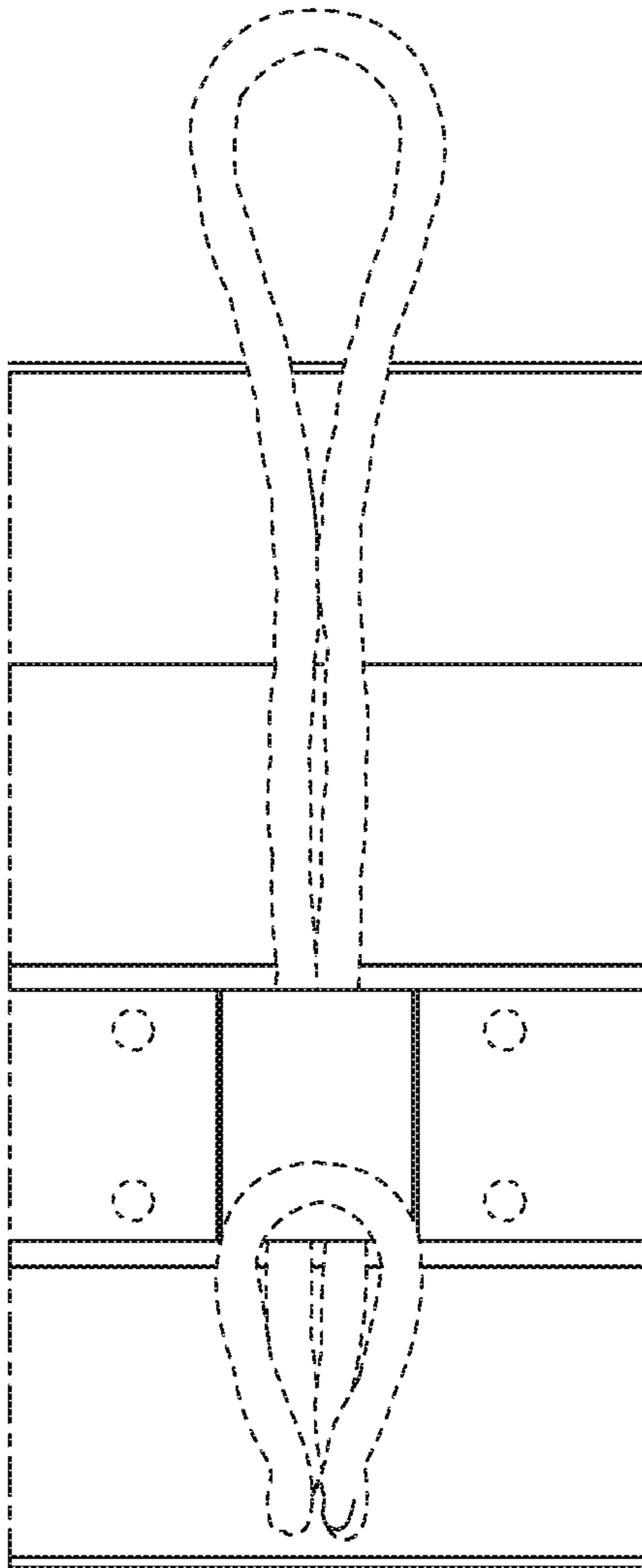


FIG. 2

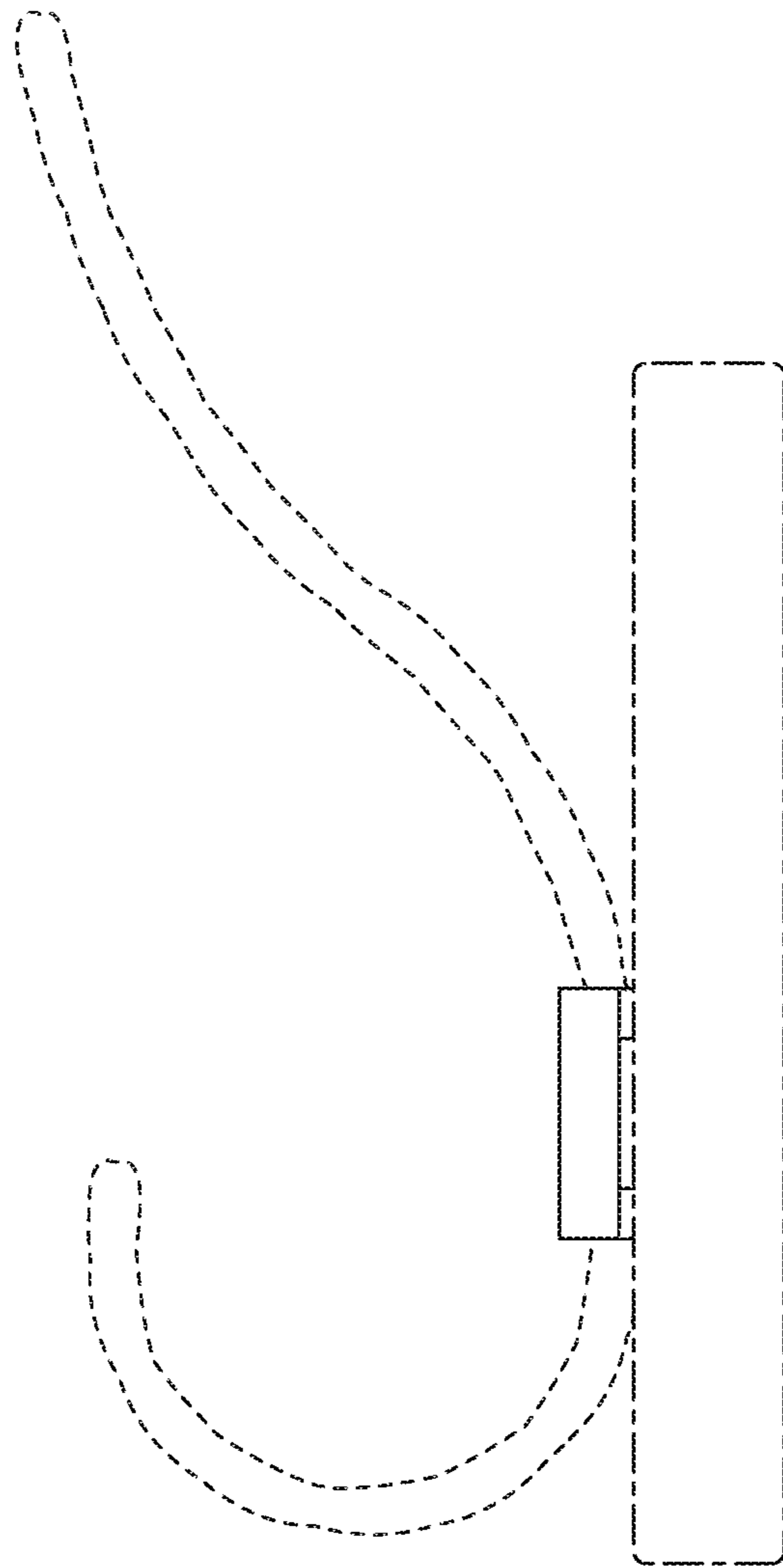


FIG. 3

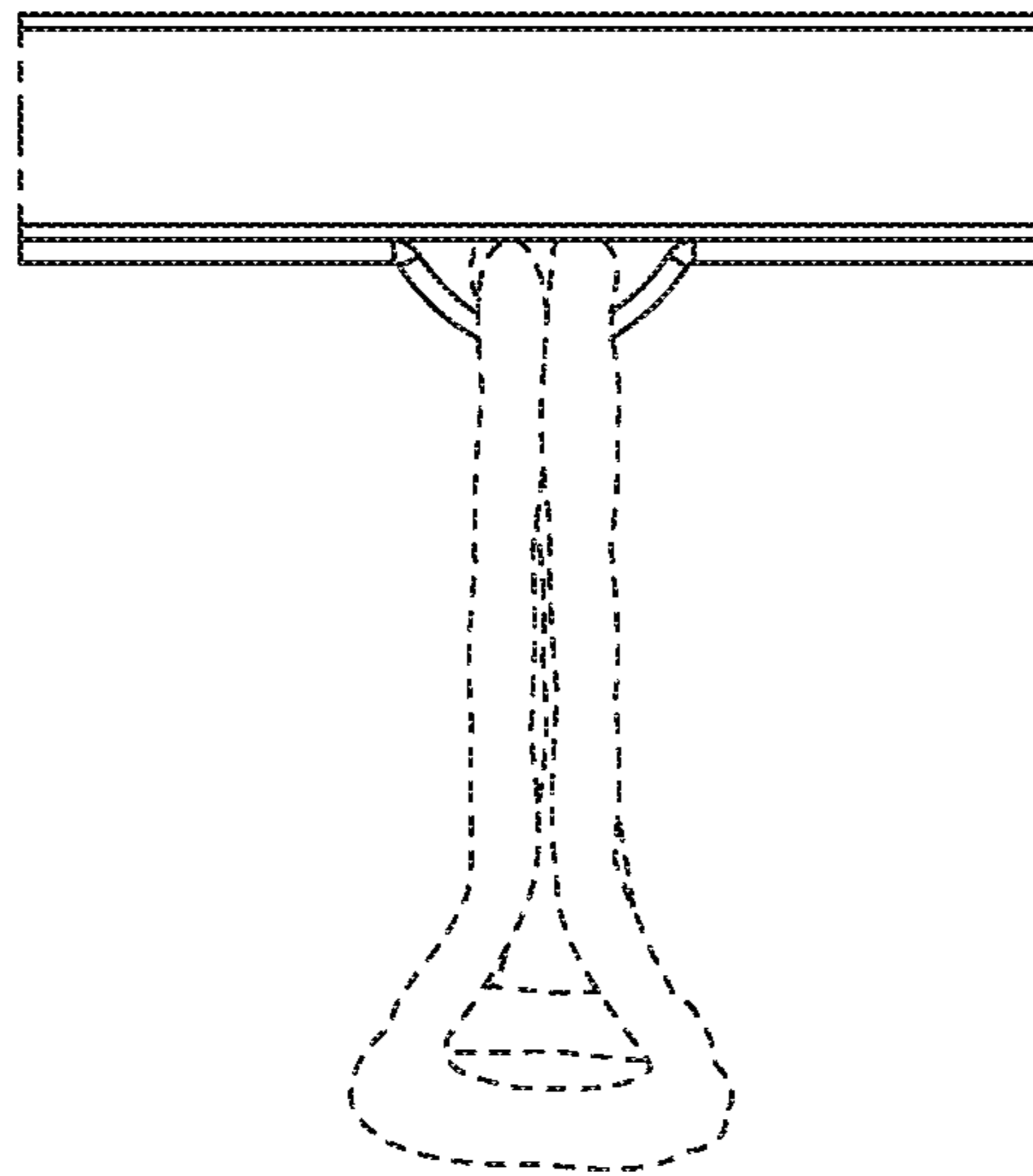


FIG. 4

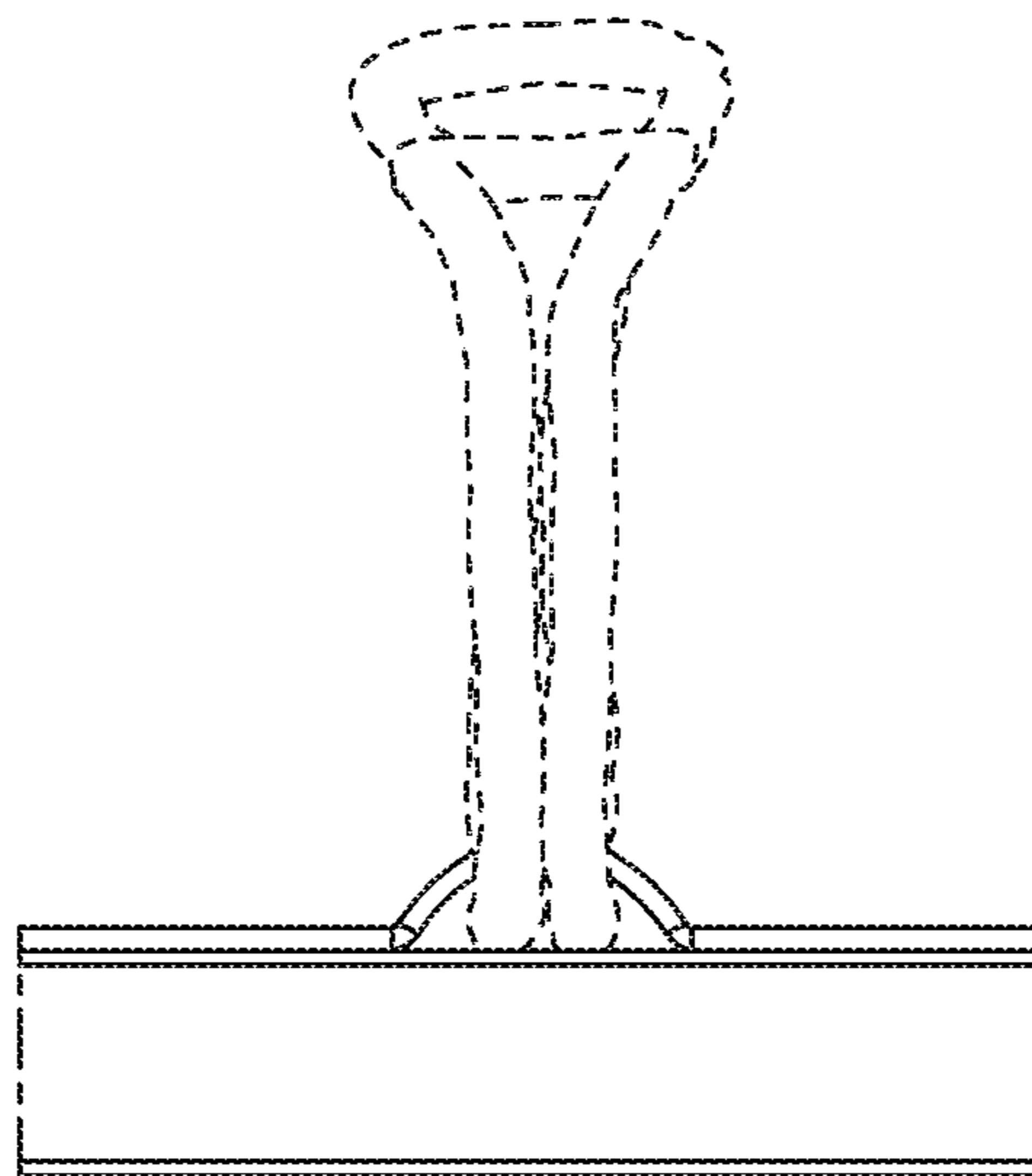


FIG. 5