



US00D777470S

(12) **United States Design Patent** (10) **Patent No.:** **US D777,470 S**
Ho (45) **Date of Patent:** **** Jan. 31, 2017**

(54) **SOAP DISH**
(71) Applicant: **I-Ting Ho**, Keelung (TW)
(72) Inventor: **I-Ting Ho**, Keelung (TW)
(**) Term: **15 Years**
(21) Appl. No.: **29/534,814**
(22) Filed: **Jul. 31, 2015**
(51) **LOC (10) Cl.** **23-02**
(52) **U.S. Cl.**
USPC **D6/536**
(58) **Field of Classification Search**
USPC D6/536, 708.18, 529, 532, 539-540;
D7/502, 550.1, 554.2; D30/121, 128, 130,
D30/132, 133; 108/154, 155; 206/557,
206/823
CPC A47K 5/03; A47K 5/02
See application file for complete search history.

D485,105 S * 1/2004 Loor D6/536
D679,530 S * 4/2013 Gilboe D6/540
D757,458 S * 5/2016 Snell D6/536
D764,117 S * 8/2016 Fang D30/132
2016/0143488 A1* 5/2016 Hierath F26B 5/00
248/346.11

* cited by examiner

Primary Examiner — Wan Laymon
Assistant Examiner — Mark Booker
(74) *Attorney, Agent, or Firm* — C. G. Mersereau;
Nikolai & Mersereau, P.A.

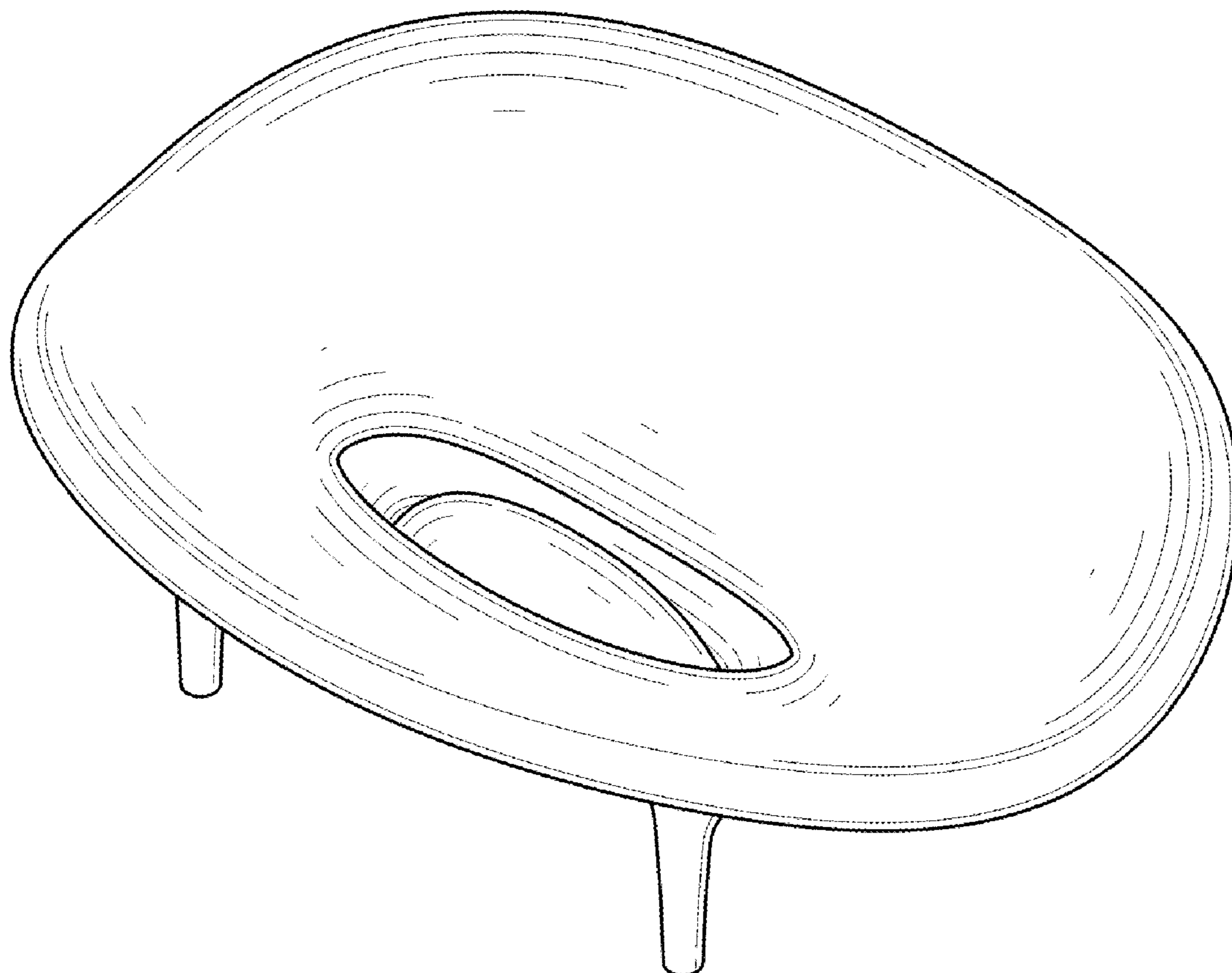
(57) **CLAIM**
The ornamental design for a soap dish, as shown.

DESCRIPTION

FIG. 1 is a top perspective view of a soap dish showing my new design;
FIG. 2 is a front view thereof;
FIG. 3 is a rear view thereof;
FIG. 4 is a left side view thereof;
FIG. 5 is a right side view thereof;
FIG. 6 is a top view thereof;
FIG. 7 is a bottom view thereof; and,
FIG. 8 is a bottom perspective view thereof.

1 Claim, 8 Drawing Sheets

(56) **References Cited**
U.S. PATENT DOCUMENTS
D356,914 S * 4/1995 Cecula D6/536
D375,859 S * 11/1996 Sharpe D6/536



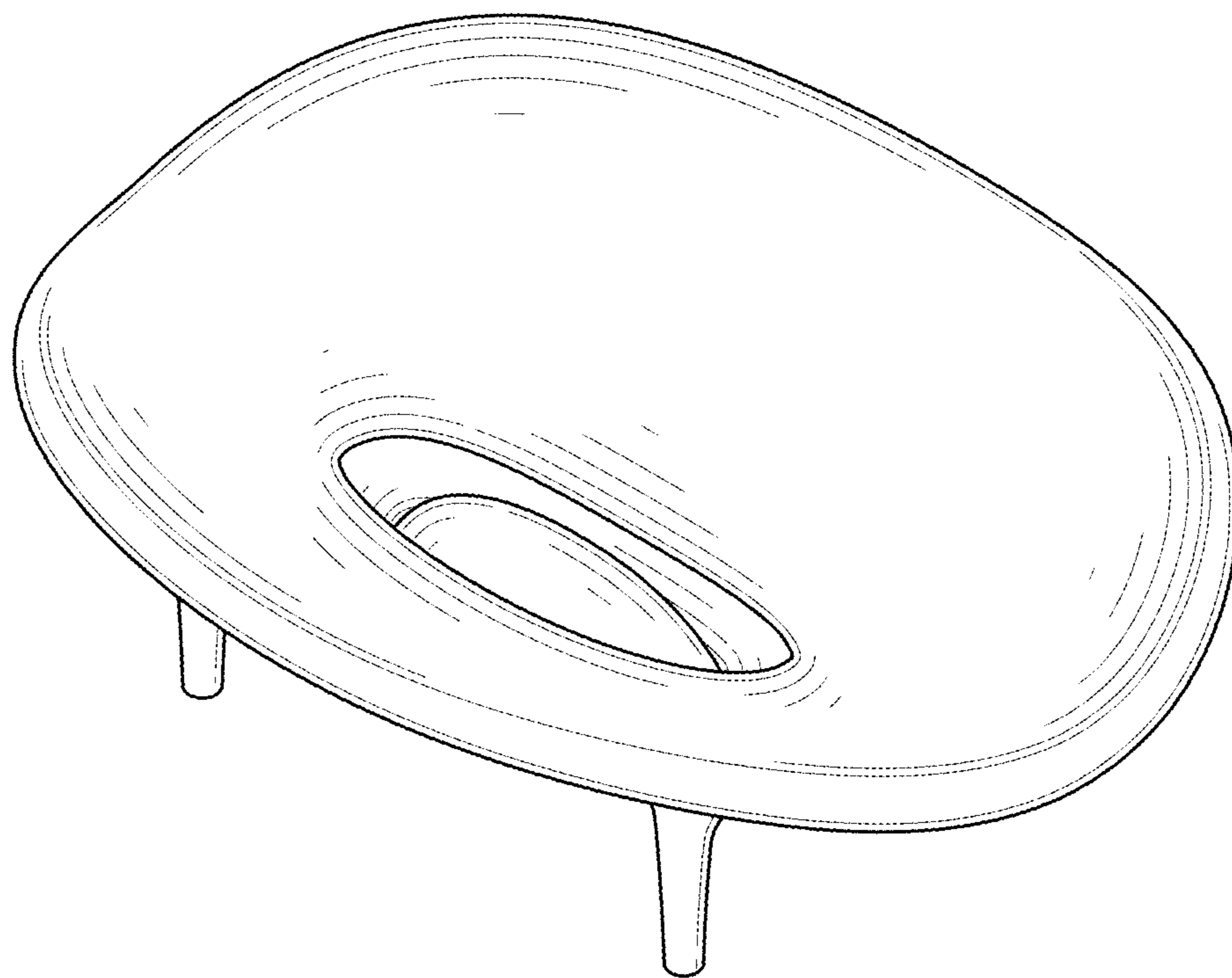


FIG. 1

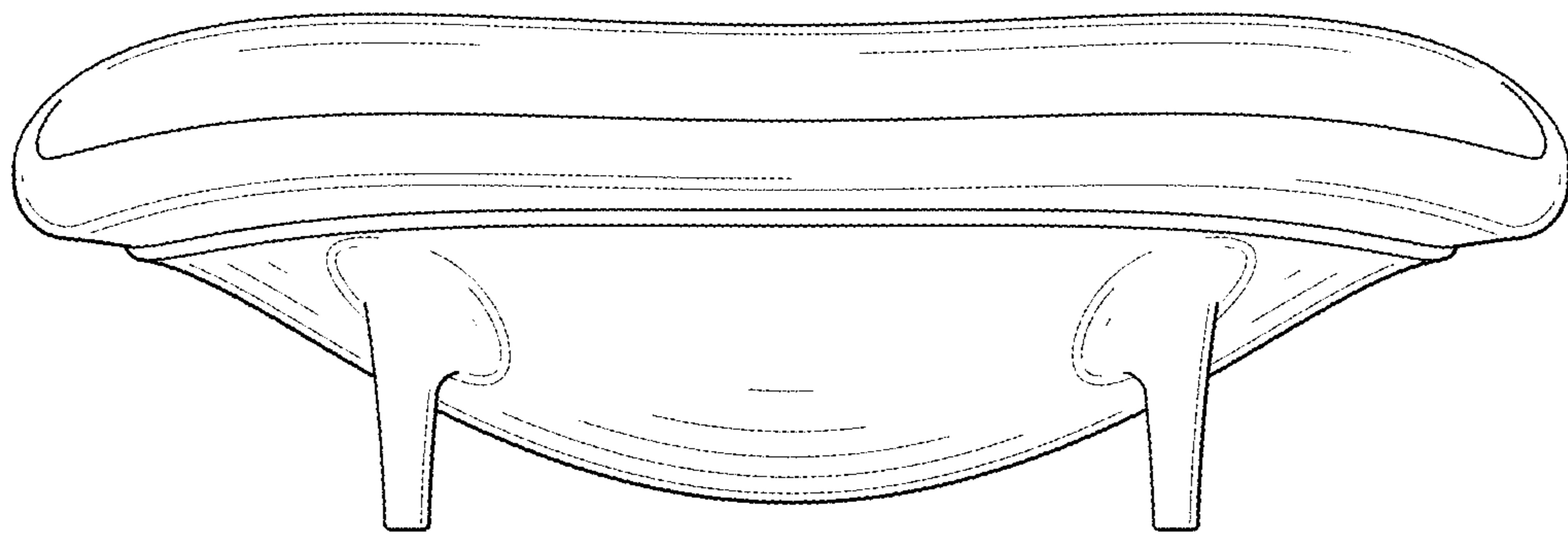


FIG. 2

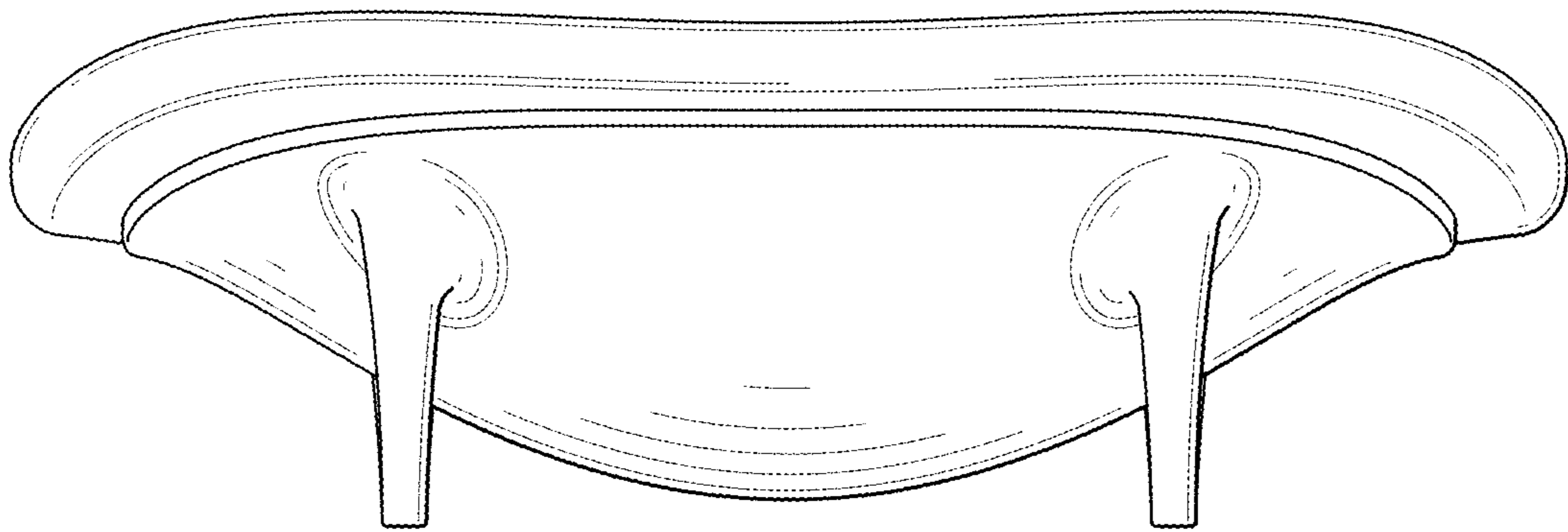


FIG. 3

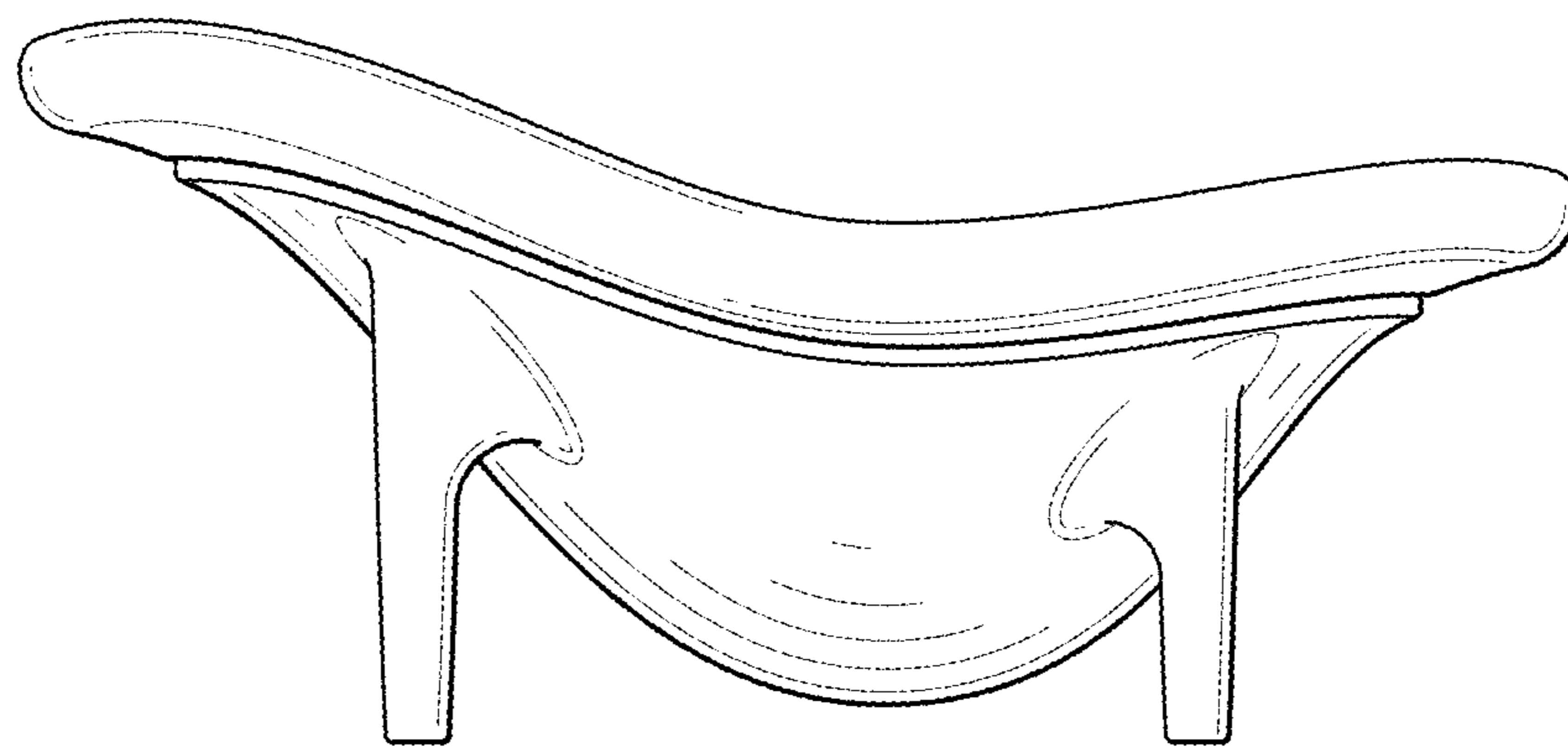


FIG. 4

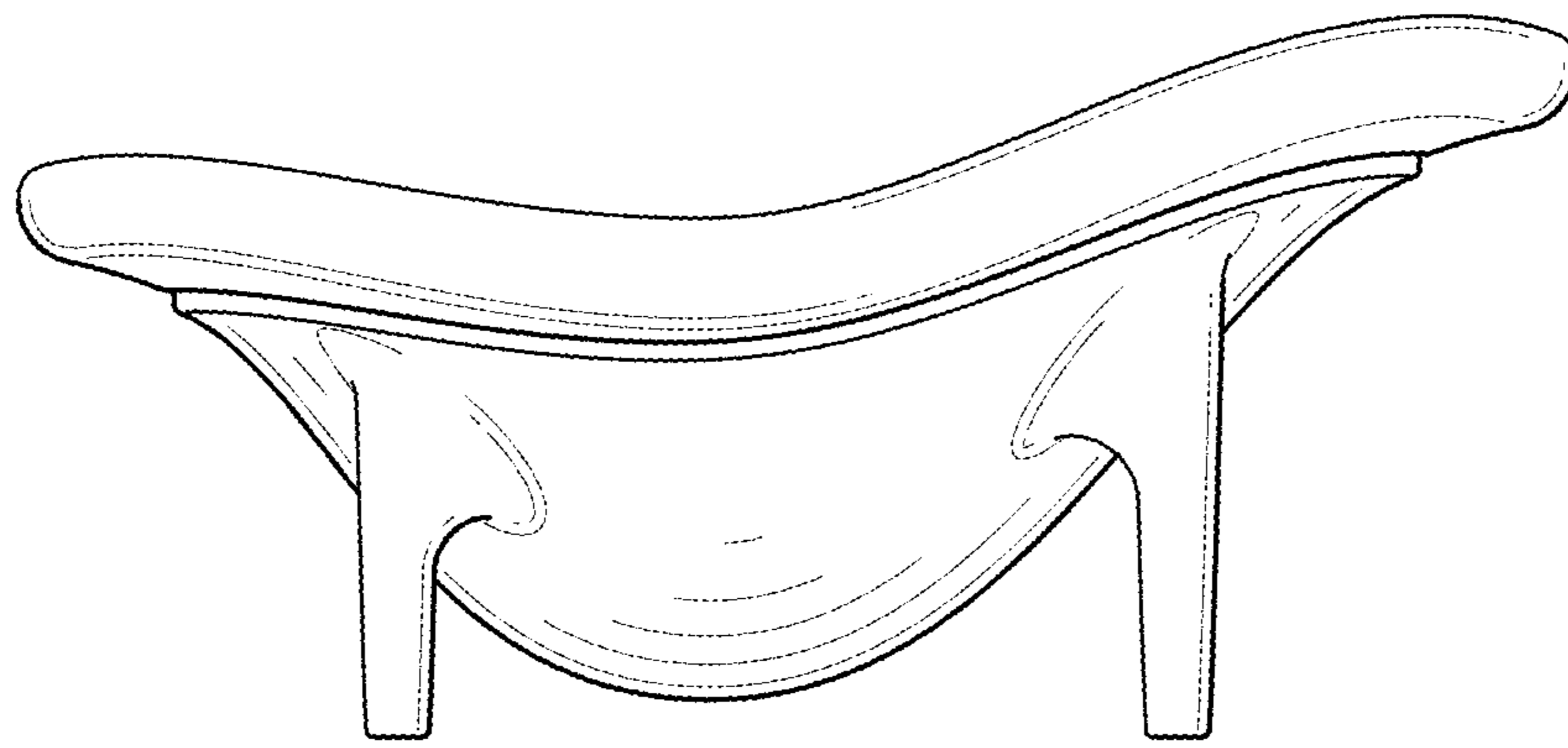


FIG. 5

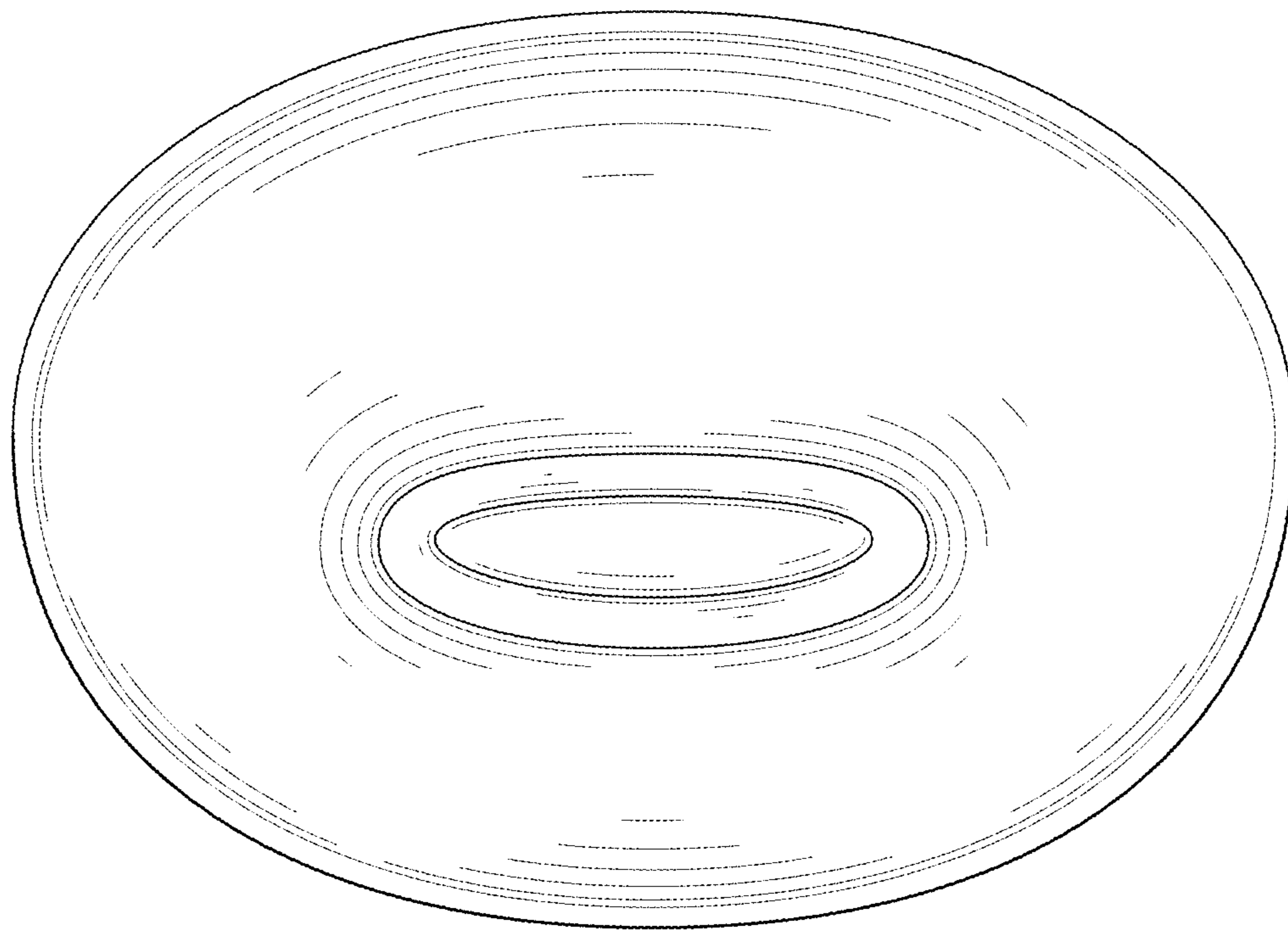


FIG. 6

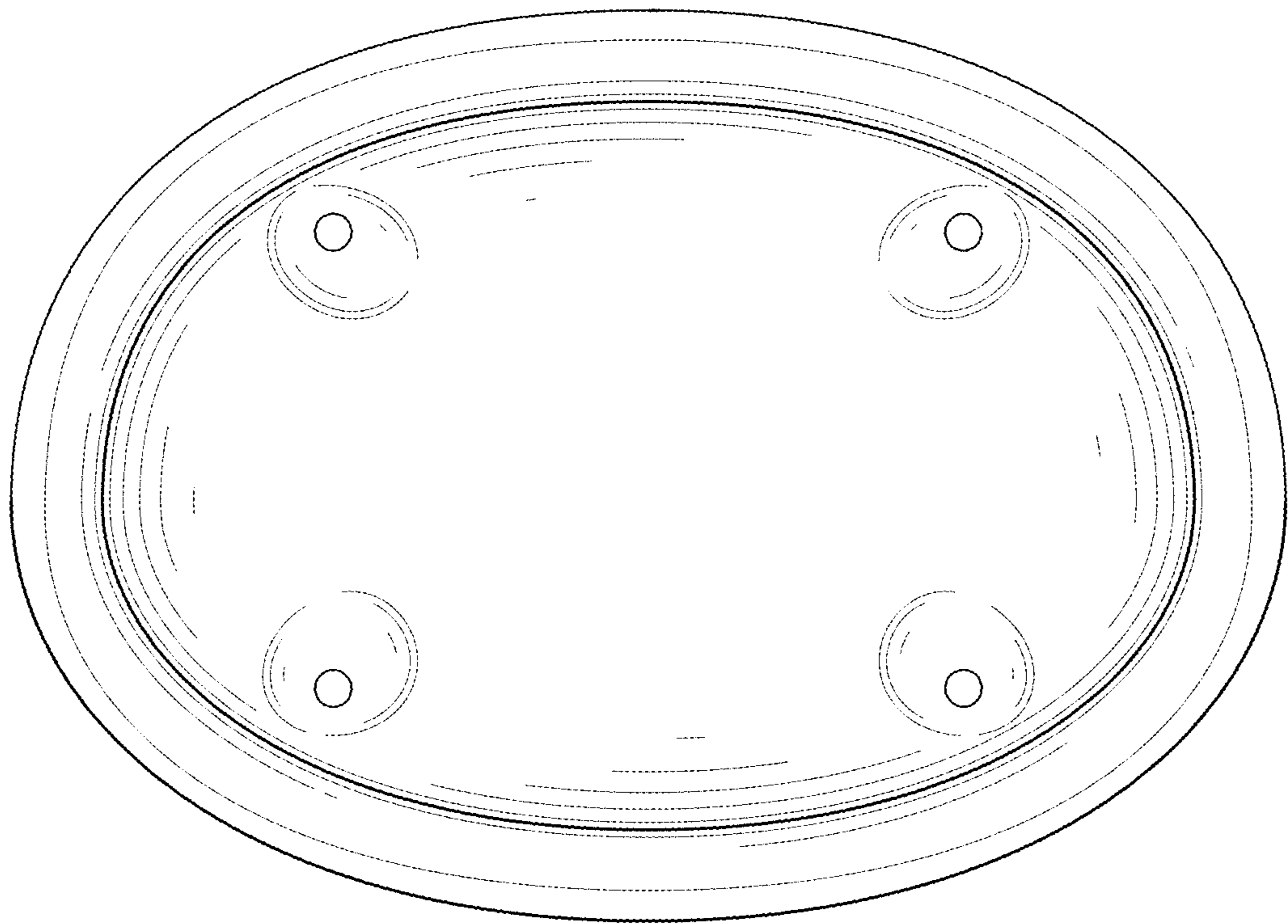


FIG. 7

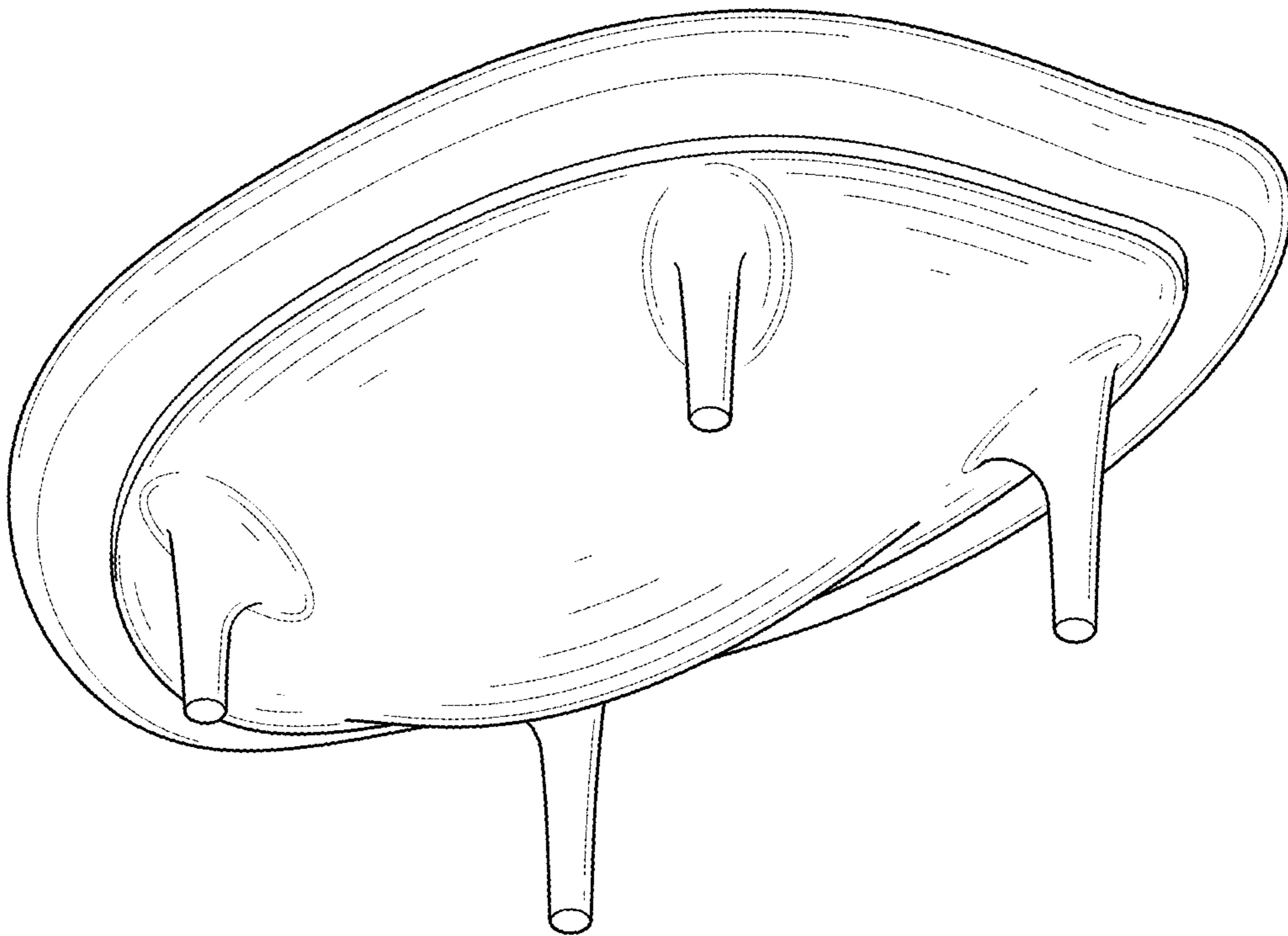


FIG. 8