



US00D777469S

(12) **United States Design Patent**
Casalino

(10) **Patent No.:** **US D777,469 S**
(45) **Date of Patent:** **** Jan. 31, 2017**

(54) **RAZOR HOLDER DEVICE**

(71) Applicant: **Steven Casalino**, Hallandale Beach, FL (US)
(72) Inventor: **Steven Casalino**, Hallandale Beach, FL (US)
(**) Term: **15 Years**

Primary Examiner — Wan Laymon
Assistant Examiner — Mark Booker
(74) *Attorney, Agent, or Firm* — Laurence A. Greenberg; Werner H. Stemer; Ralph E. Locher

(57) **CLAIM**

The ornamental design for a razor holder device, as shown and described.

DESCRIPTION

(21) Appl. No.: **29/541,707**
(22) Filed: **Oct. 7, 2015**
(51) **LOC (10) Cl.** **23-02**
(52) **U.S. Cl.**
USPC **D6/526**
(58) **Field of Classification Search**
USPC D6/526, 524, 528, 534, 540; D9/749, D9/748, 434; 206/208, 209, 228, 361, 206/362, 362.1, 362.2, 362.3; 211/13.1, 211/66, 70.6, 86.01, 87.01, 89.01; 248/127, 176.1, 200, 205.5, 309.1, 314, 248/213.2; D8/396
CPC A61F 2013/15373; A45D 27/22; A45D 27/46; B26D 7/2635
See application file for complete search history.

FIG. 1 is a perspective view of the razor holder device showing my new invention, having a triangular shape; FIG. 2 is a top plan view thereof; FIG. 3 is an end elevational view thereof; FIG. 4 is an end elevational view thereof; FIG. 5 is a side elevational view thereof; FIG. 6 is a side elevational view thereof; FIG. 7 is a perspective view thereof placed on a can; FIG. 8 is a perspective view of the razor holder device showing my new design, having an oval shape; FIG. 9 is a top plan view thereof; FIG. 10 is an end elevational view thereof; FIG. 11 is an end elevational view thereof; FIG. 12 is a side elevational view thereof; FIG. 13 is a side elevational view thereof; FIG. 14 is a perspective view thereof placed on a can; FIG. 15 is a perspective view of the razor holder device showing my new design, having a round shape; FIG. 16 is a top plan view thereof; FIG. 17 is an end elevational view thereof; FIG. 18 is an end elevational view thereof; FIG. 19 is a side elevational view thereof; FIG. 20 is a side elevational view thereof; and, FIG. 21 is a perspective view thereof placed on a can. The broken lines shown in the figures represent portions of the razor holder device that form no part of the claimed design.

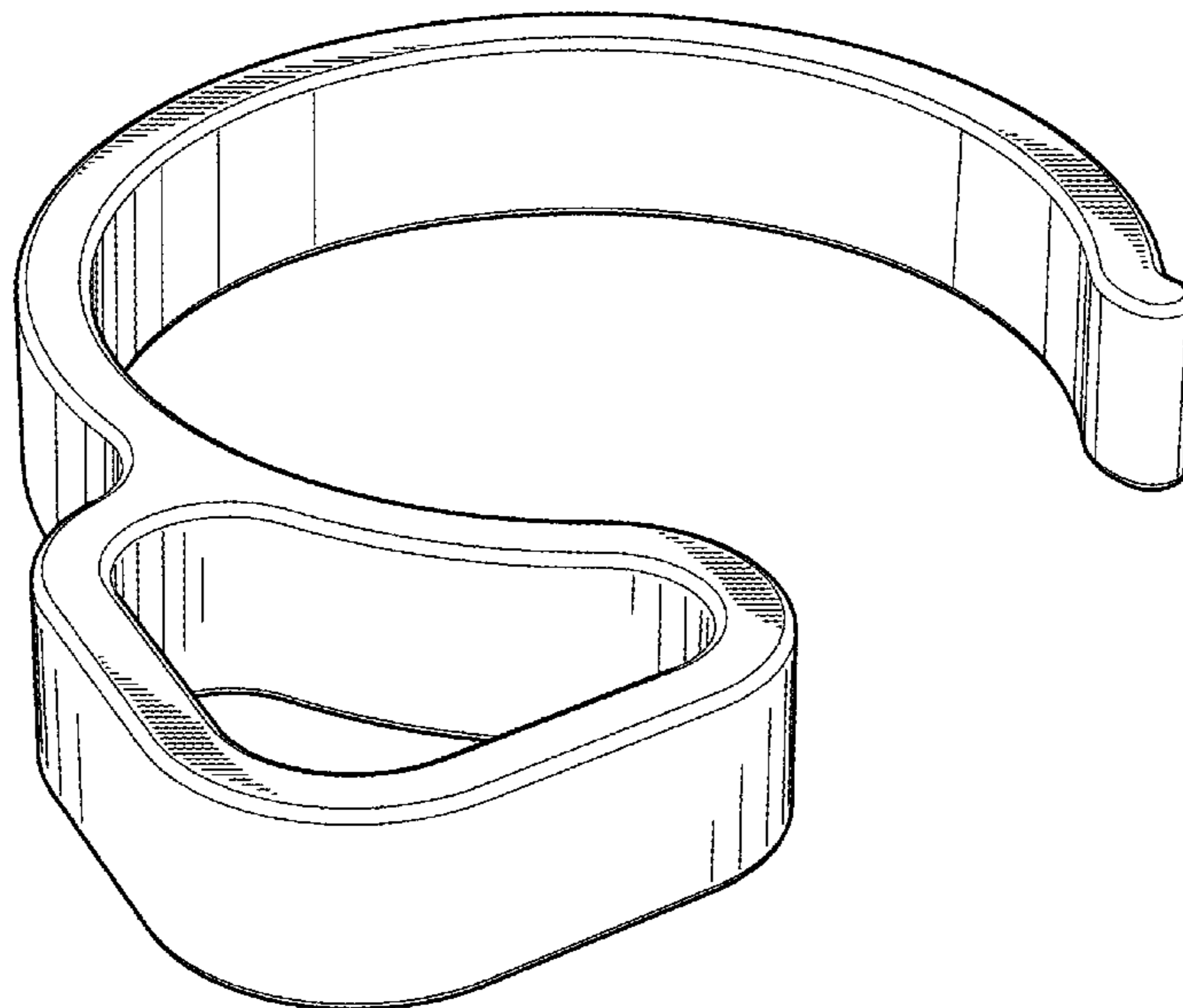
(56) **References Cited**

U.S. PATENT DOCUMENTS

D315,306 S *	3/1991	Reister	D28/73
D441,652 S *	5/2001	Valentine, Jr.	D9/434
D667,664 S *	9/2012	McCoy	D6/524
D694,038 S *	11/2013	Besen	D6/526
D752,968 S *	4/2016	Blackwood	D8/396
2006/0249639 A1 *	11/2006	Bisceglia	A45D 27/28 248/213.2

* cited by examiner

1 Claim, 15 Drawing Sheets



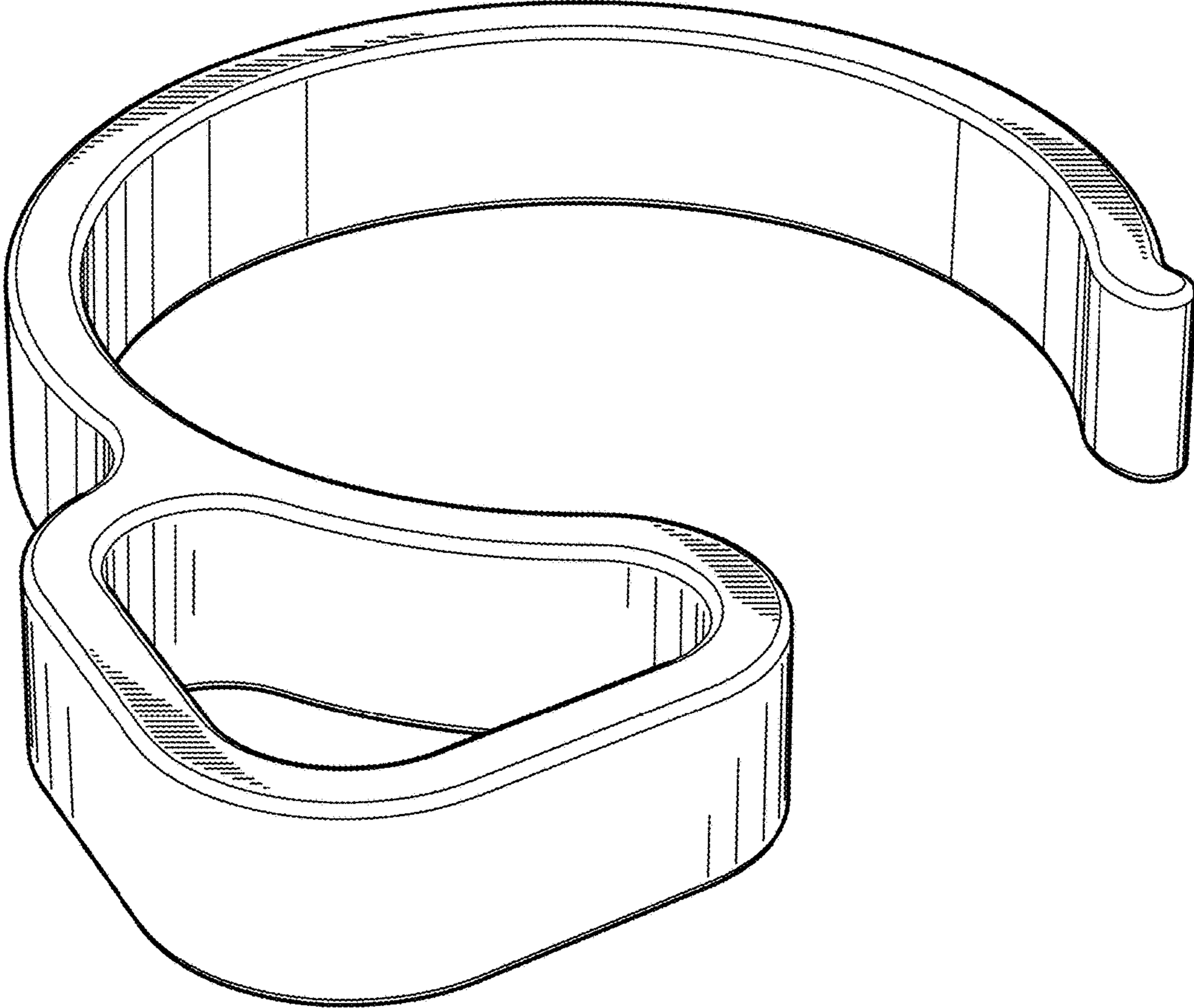


FIG. 1

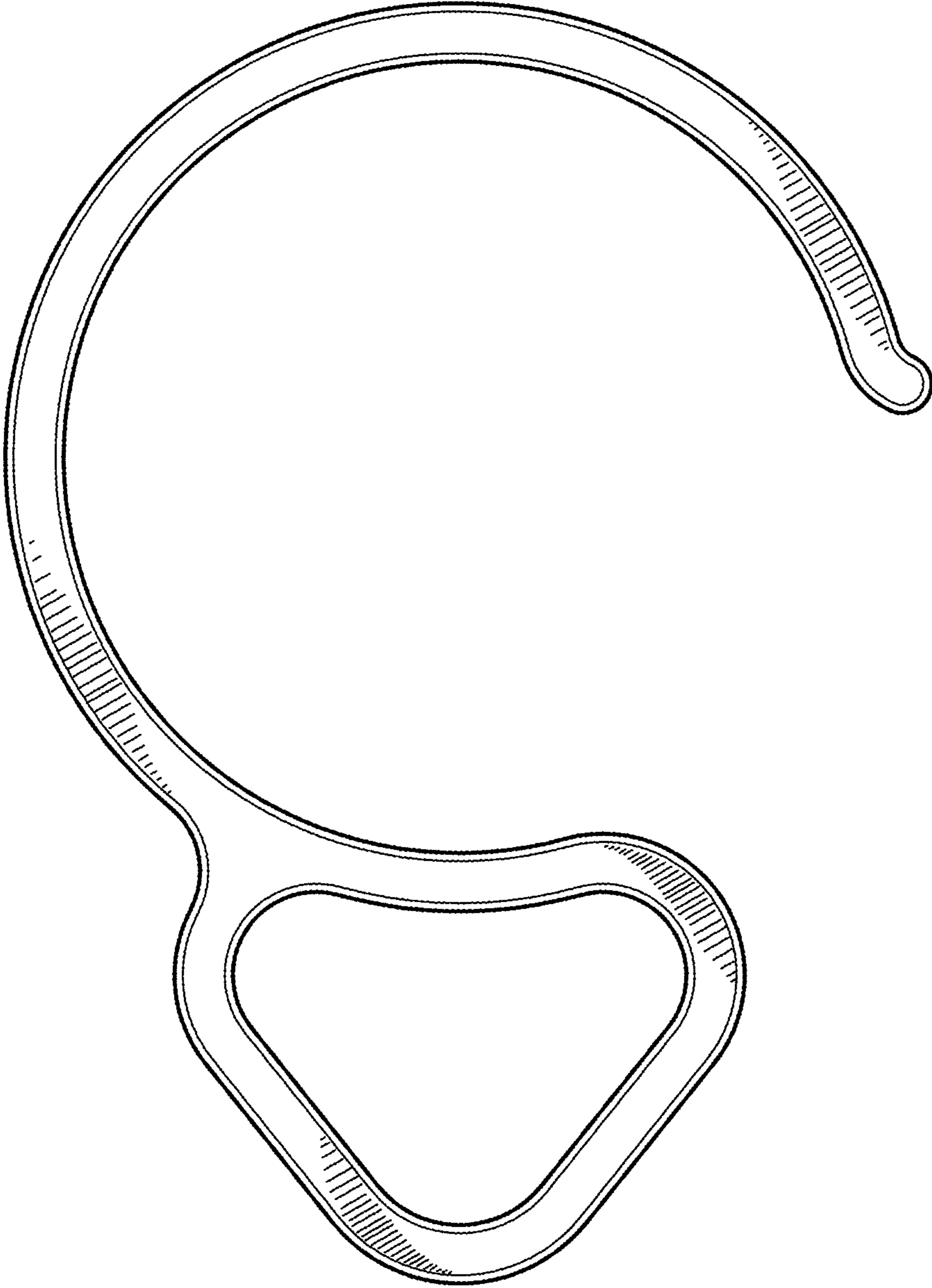


FIG. 2

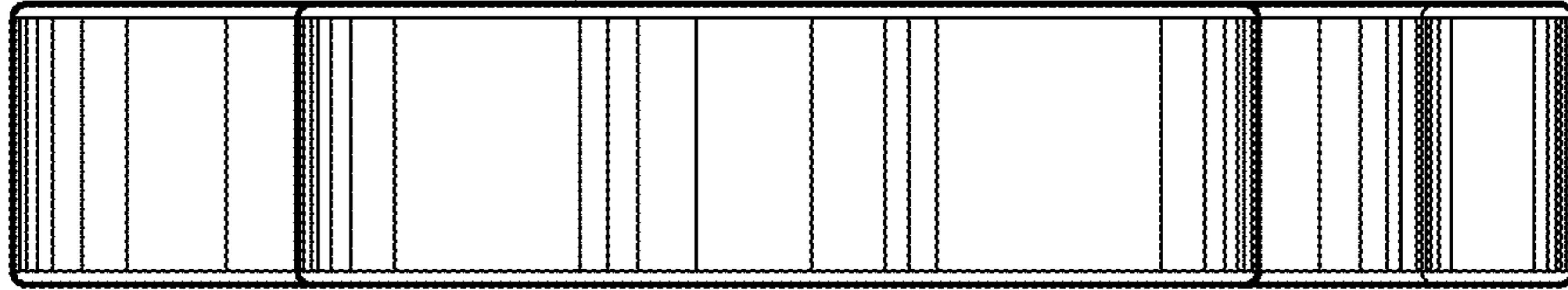


FIG. 3

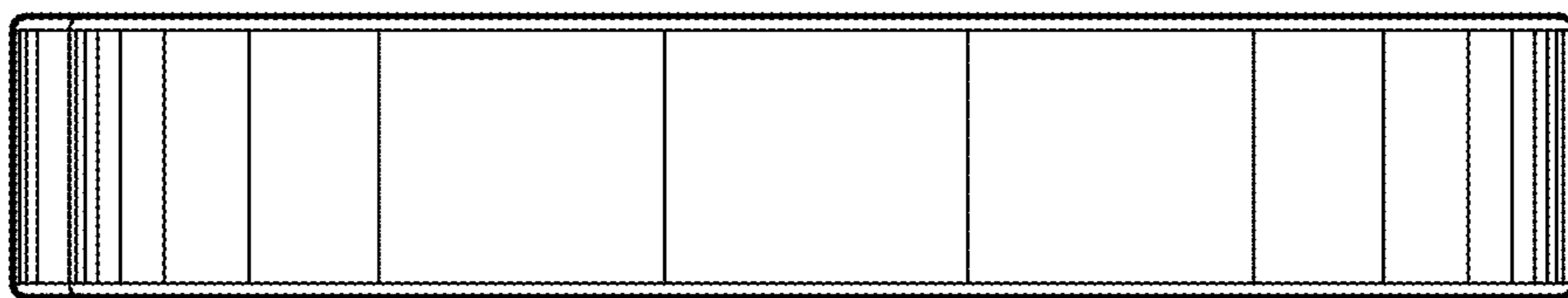


FIG. 4

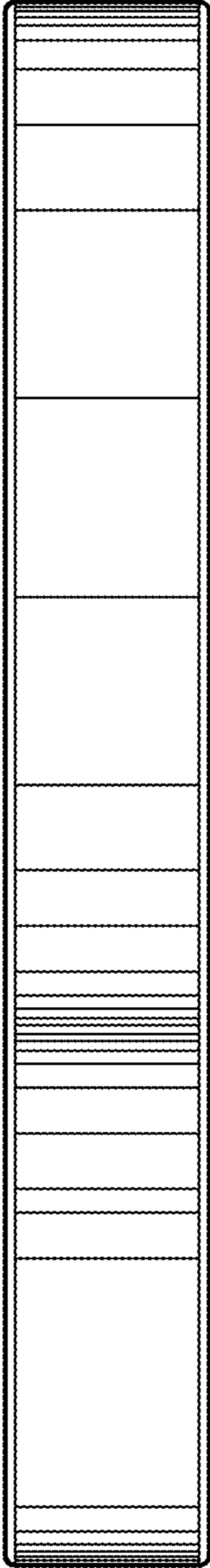


FIG. 5

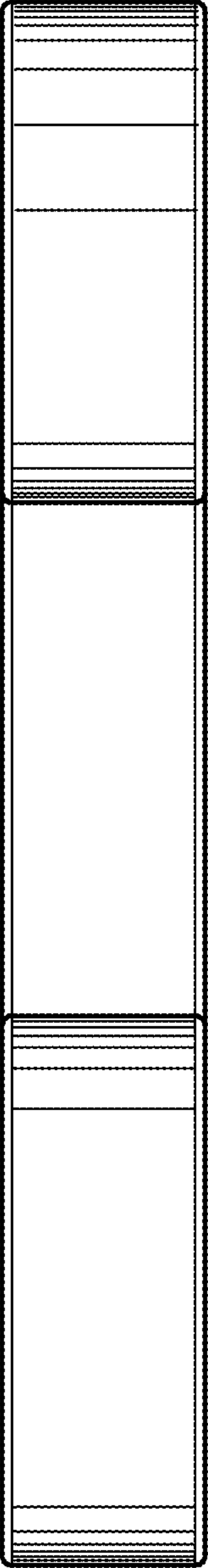


FIG. 6

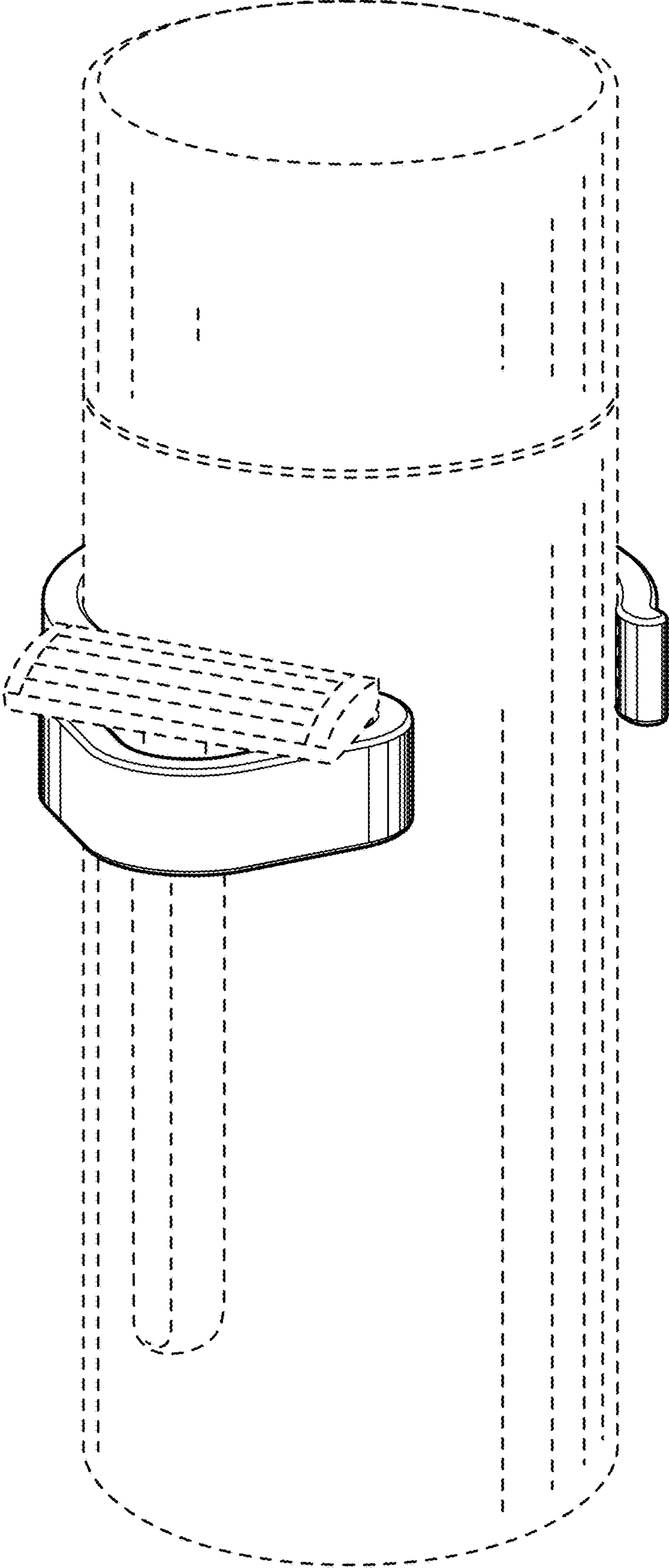


FIG. 7

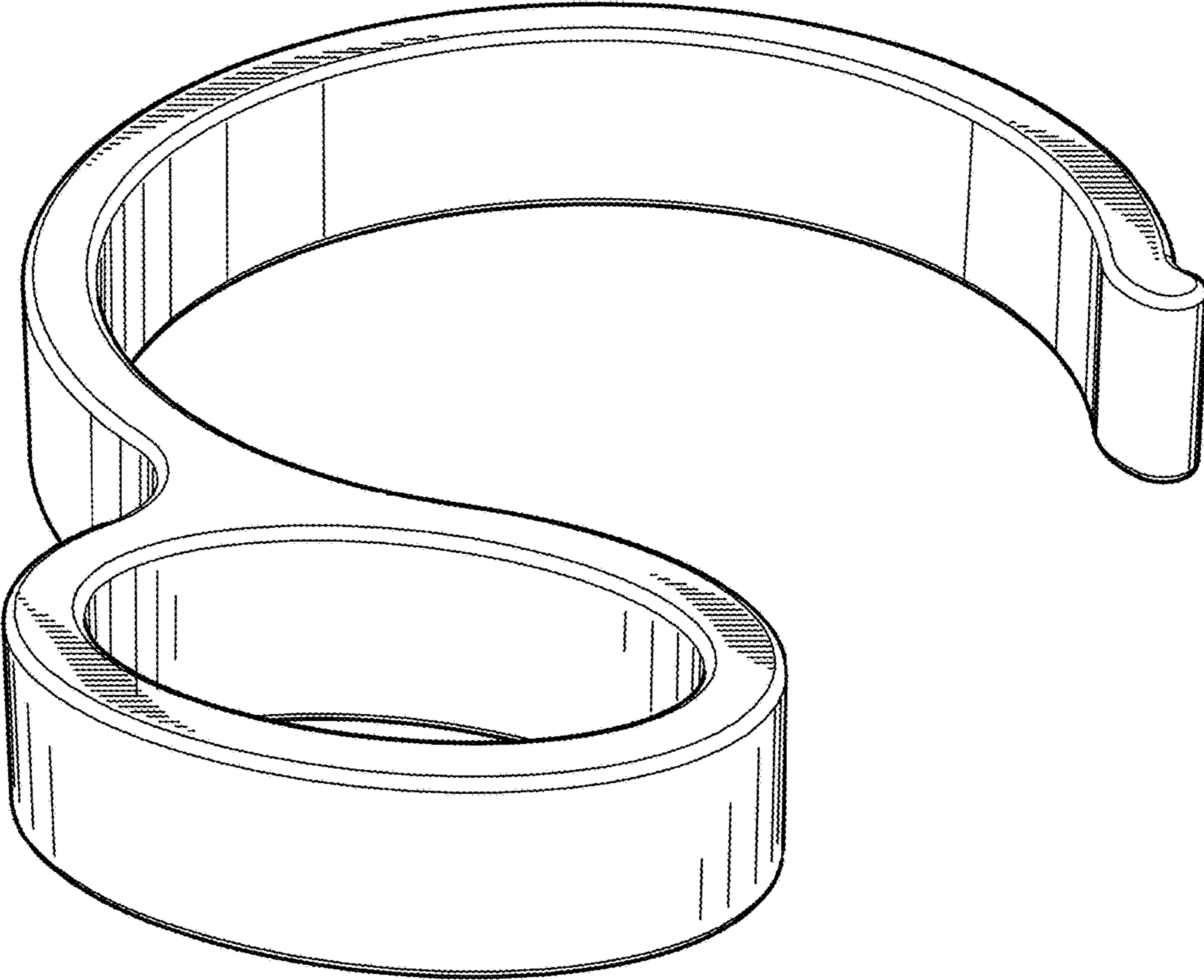


FIG. 8

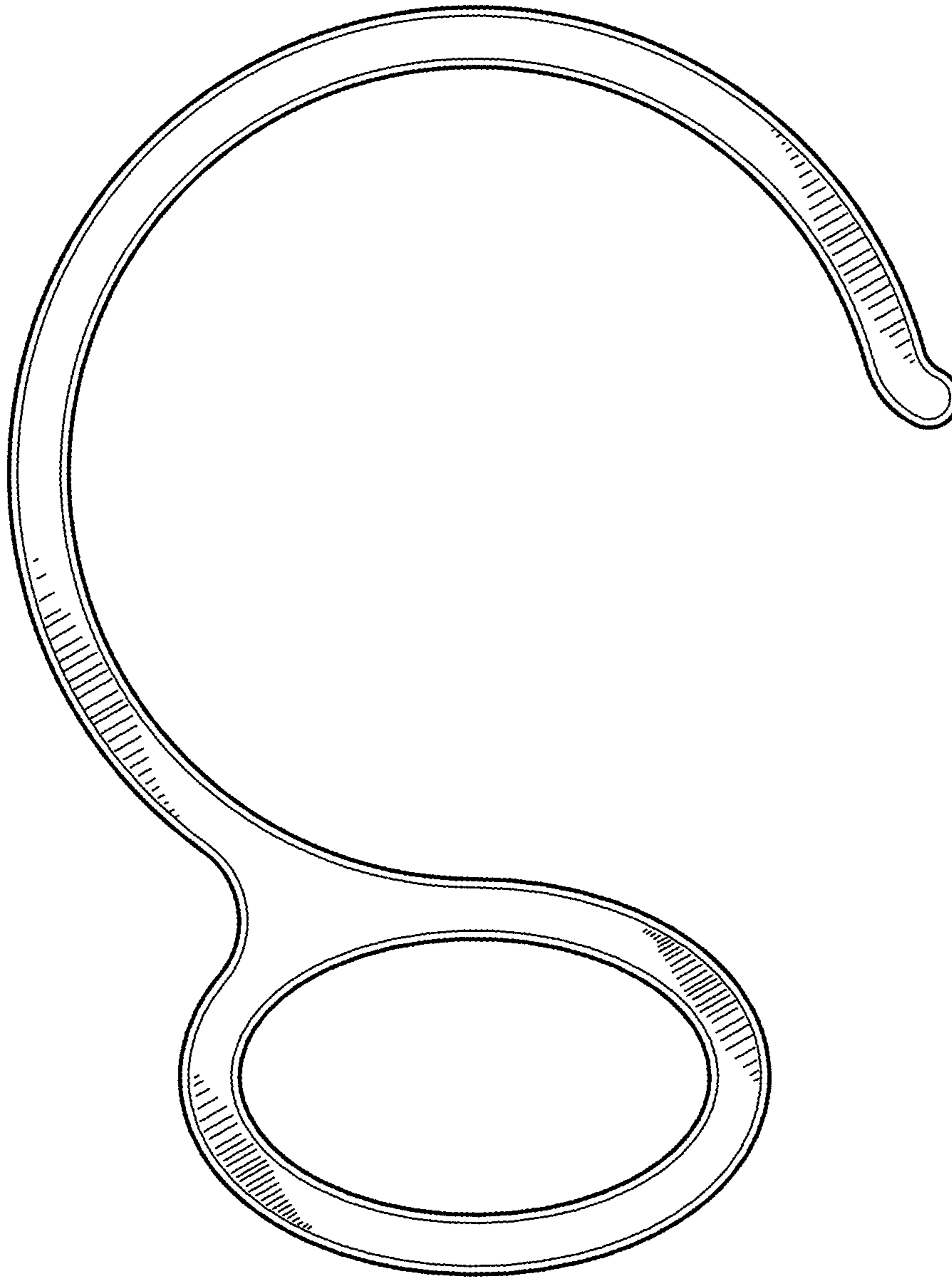


FIG. 9

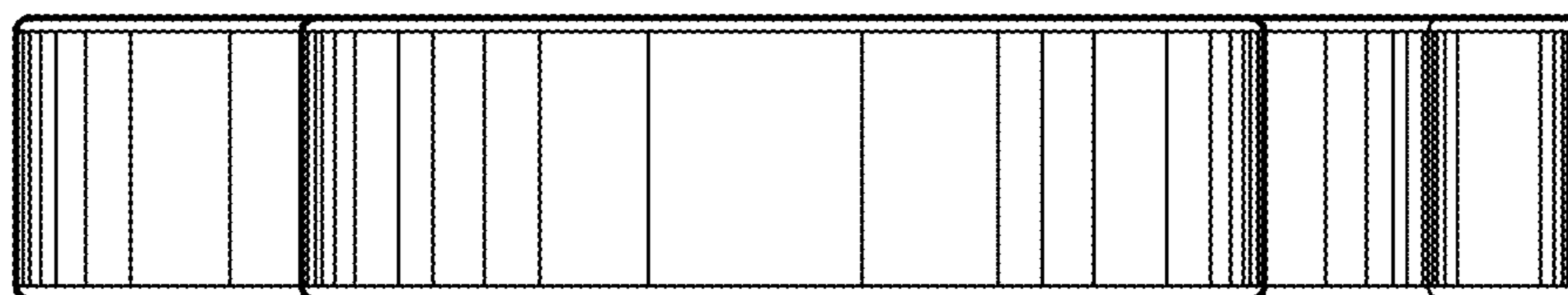


FIG. 10

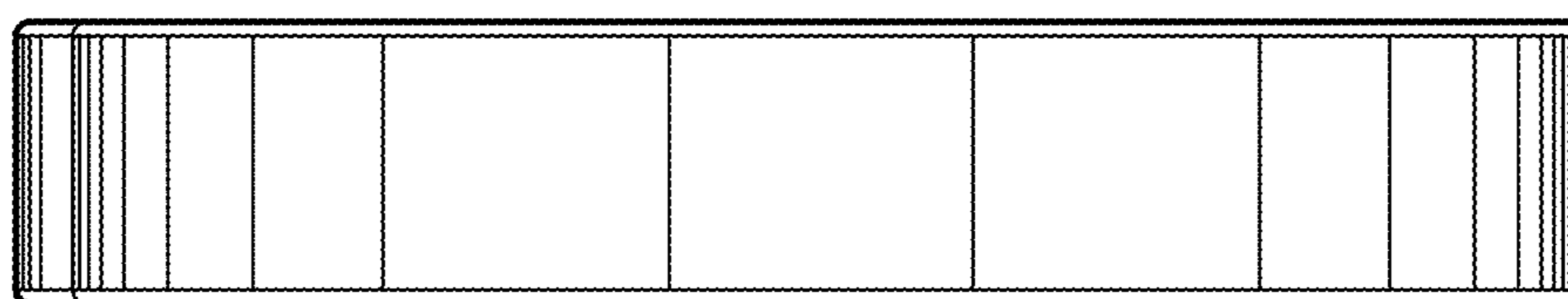


FIG. 11

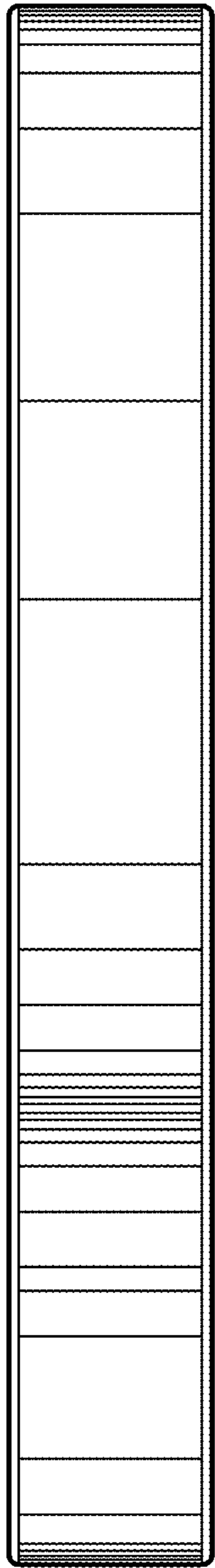


FIG. 12

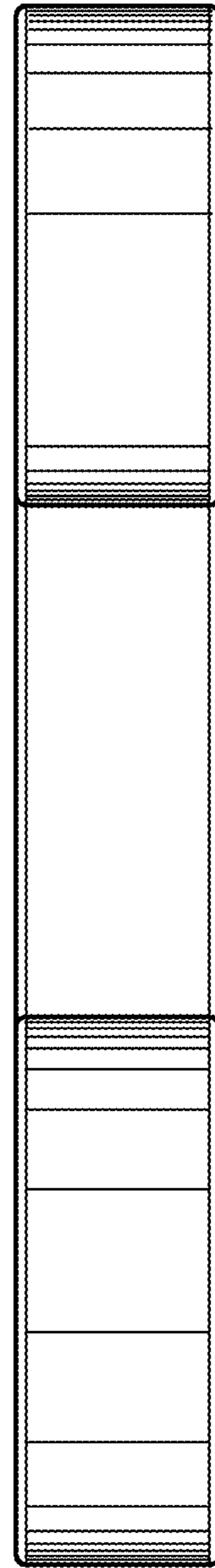


FIG. 13

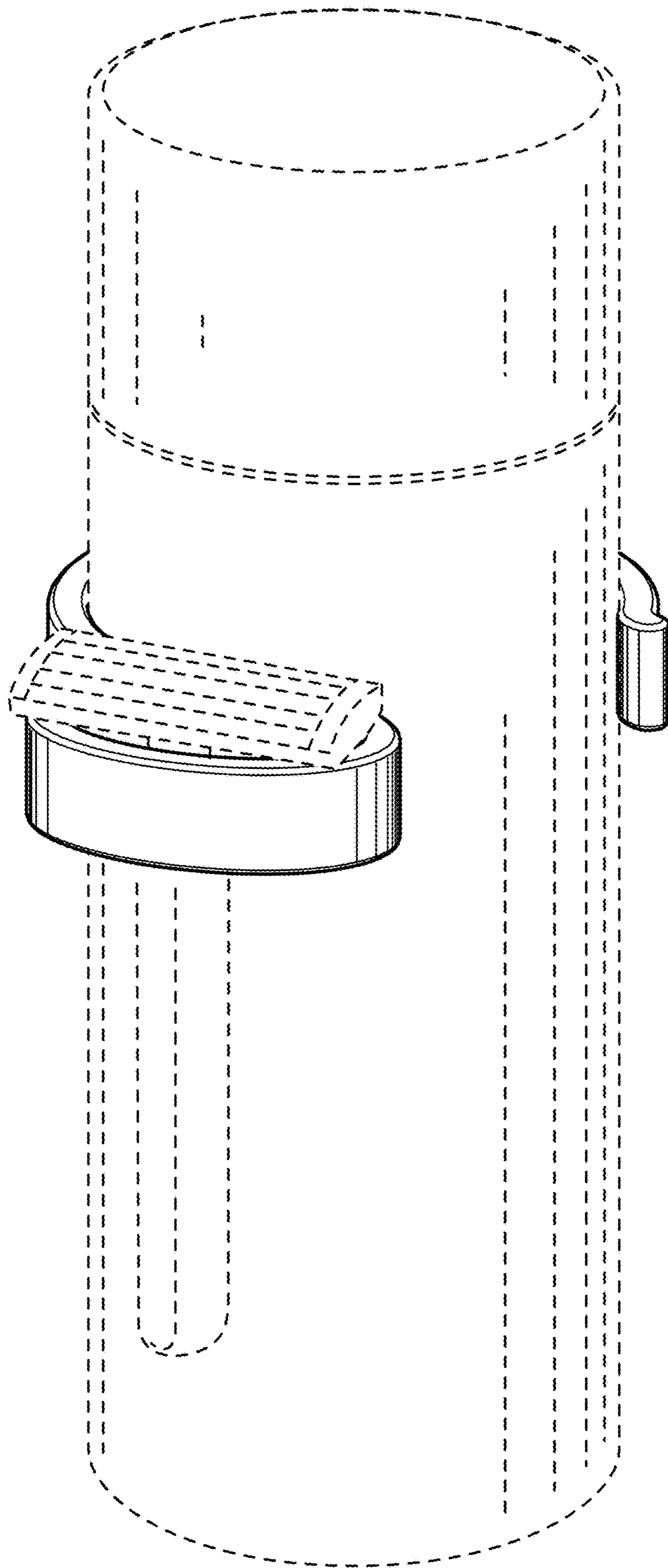


FIG. 14

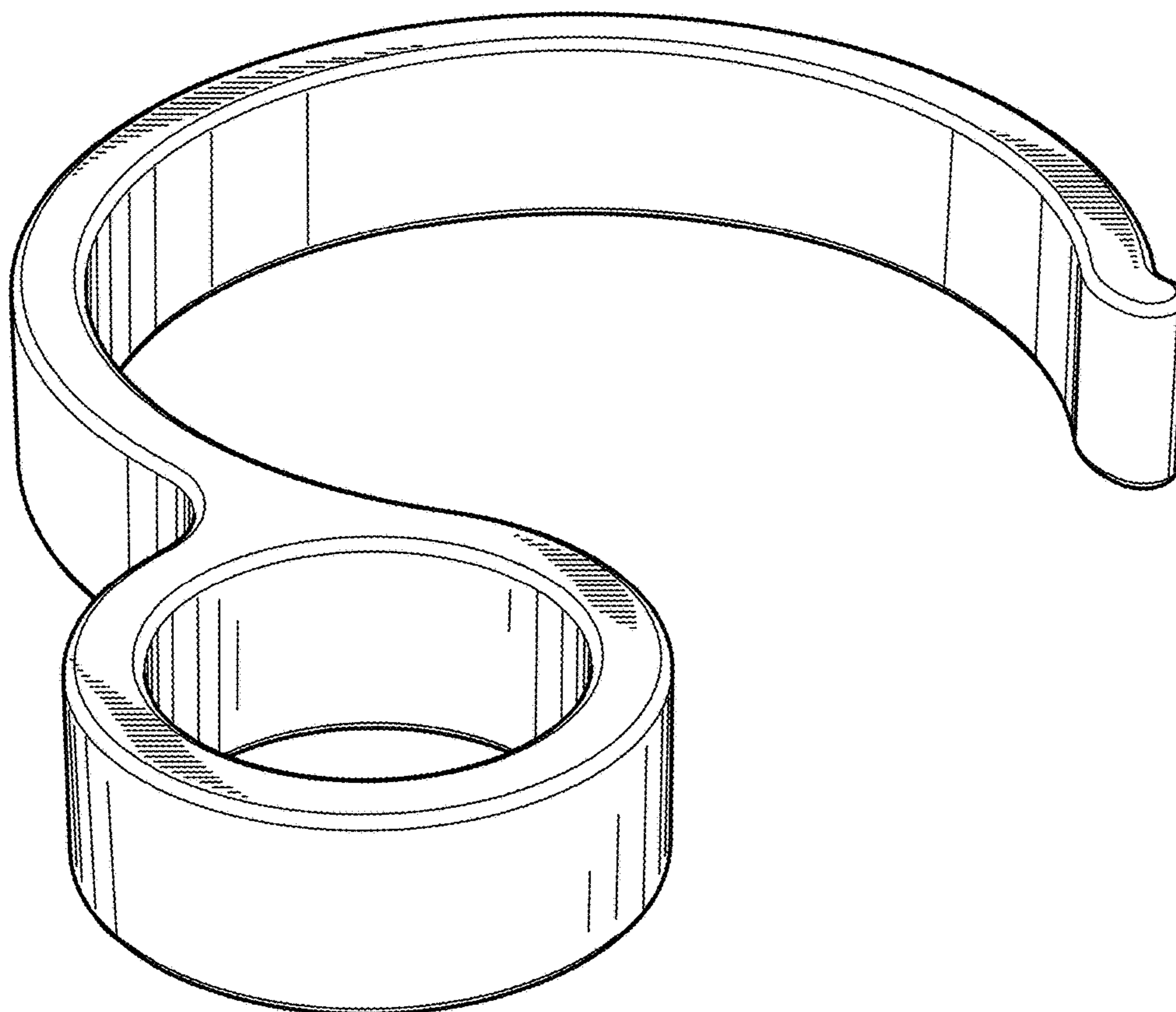


FIG. 15

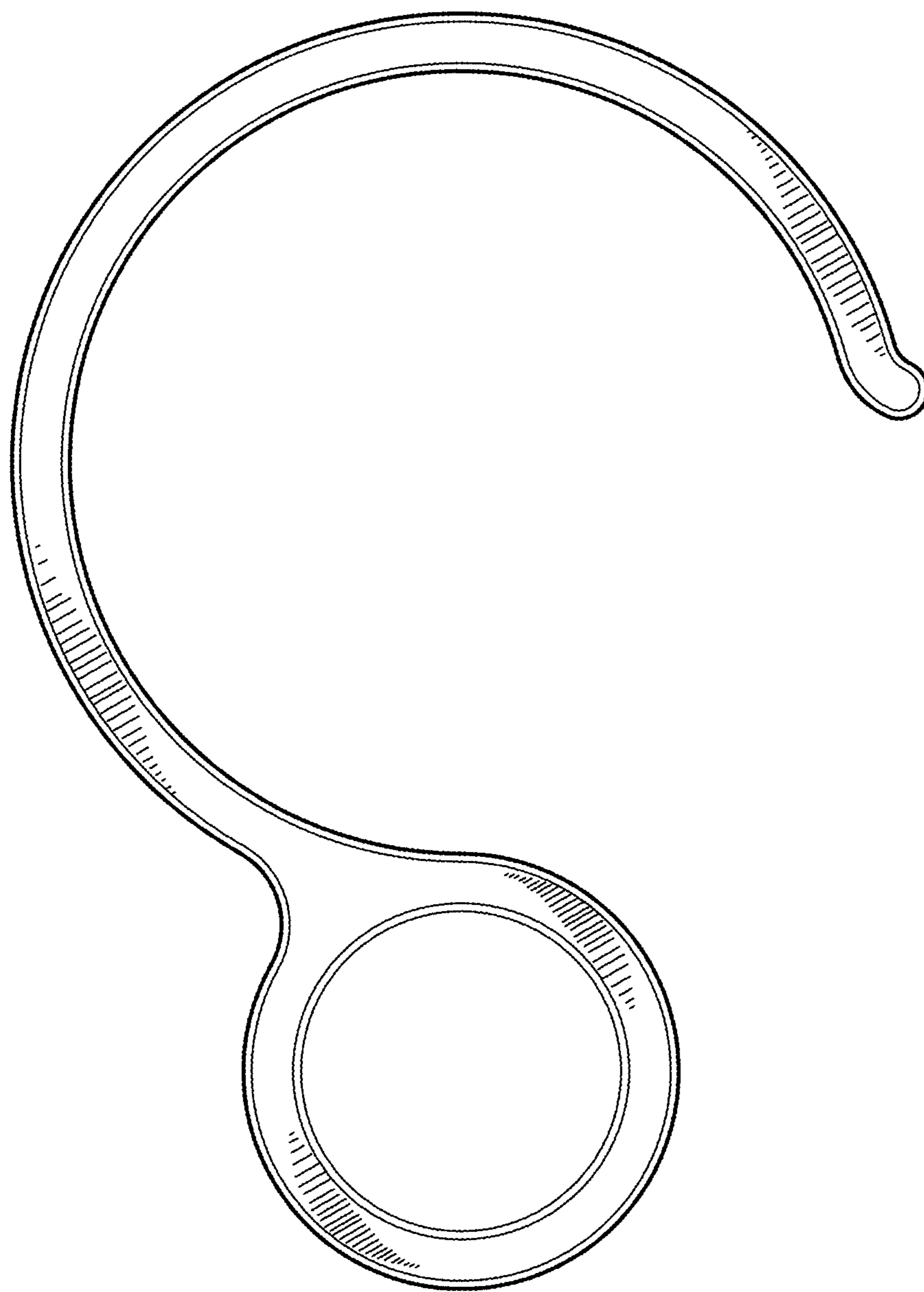


FIG. 16

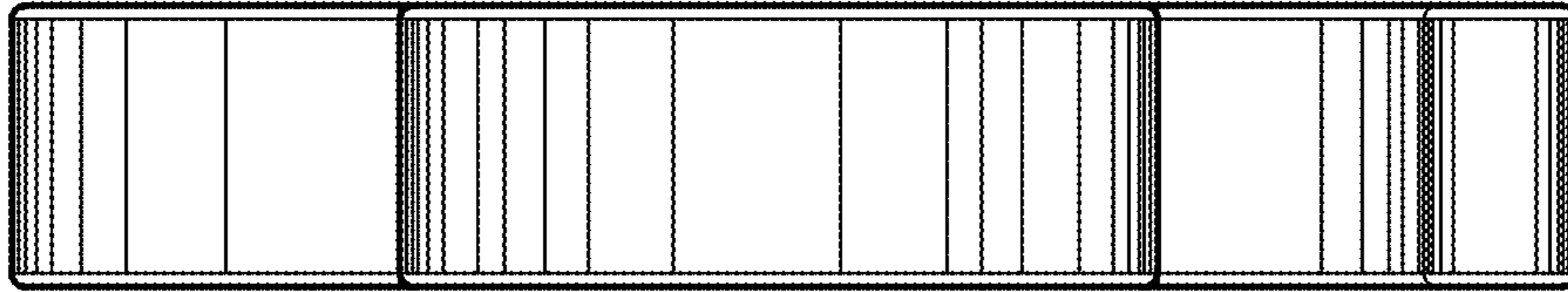


FIG. 17

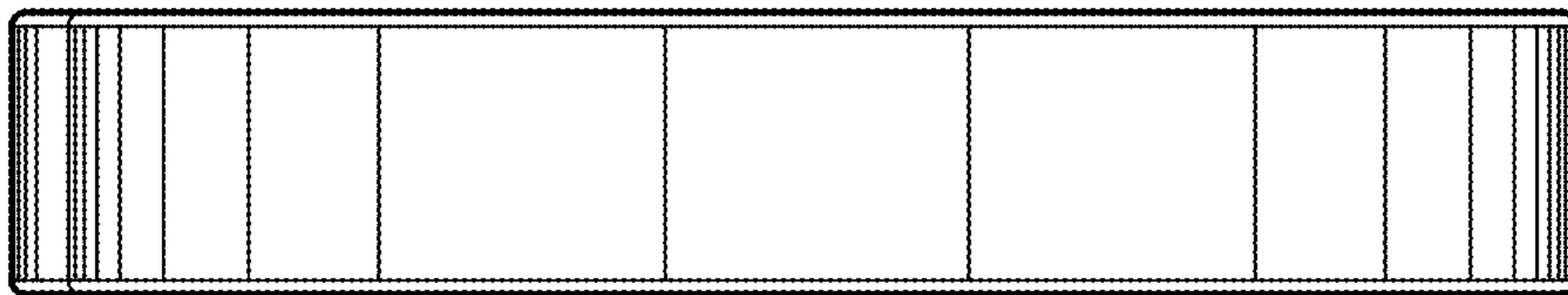


FIG. 18

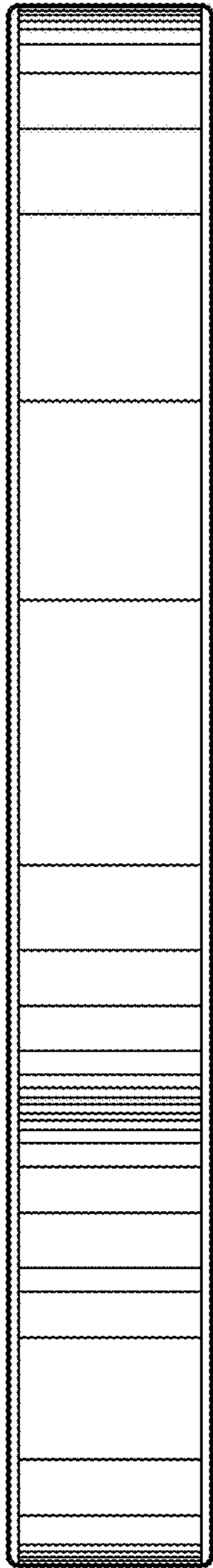


FIG. 19

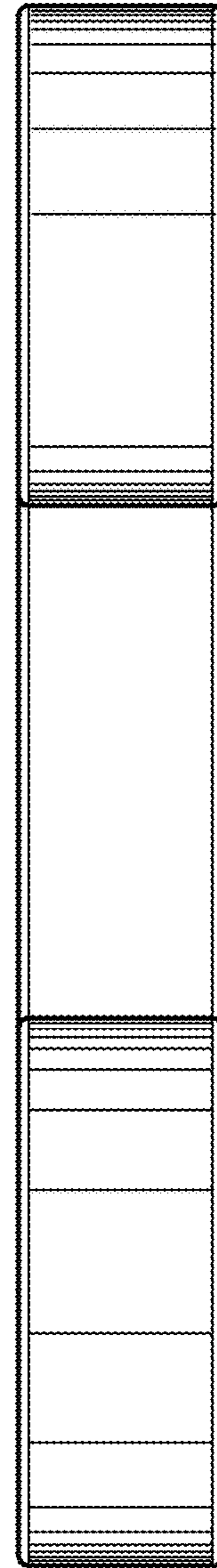


FIG. 20

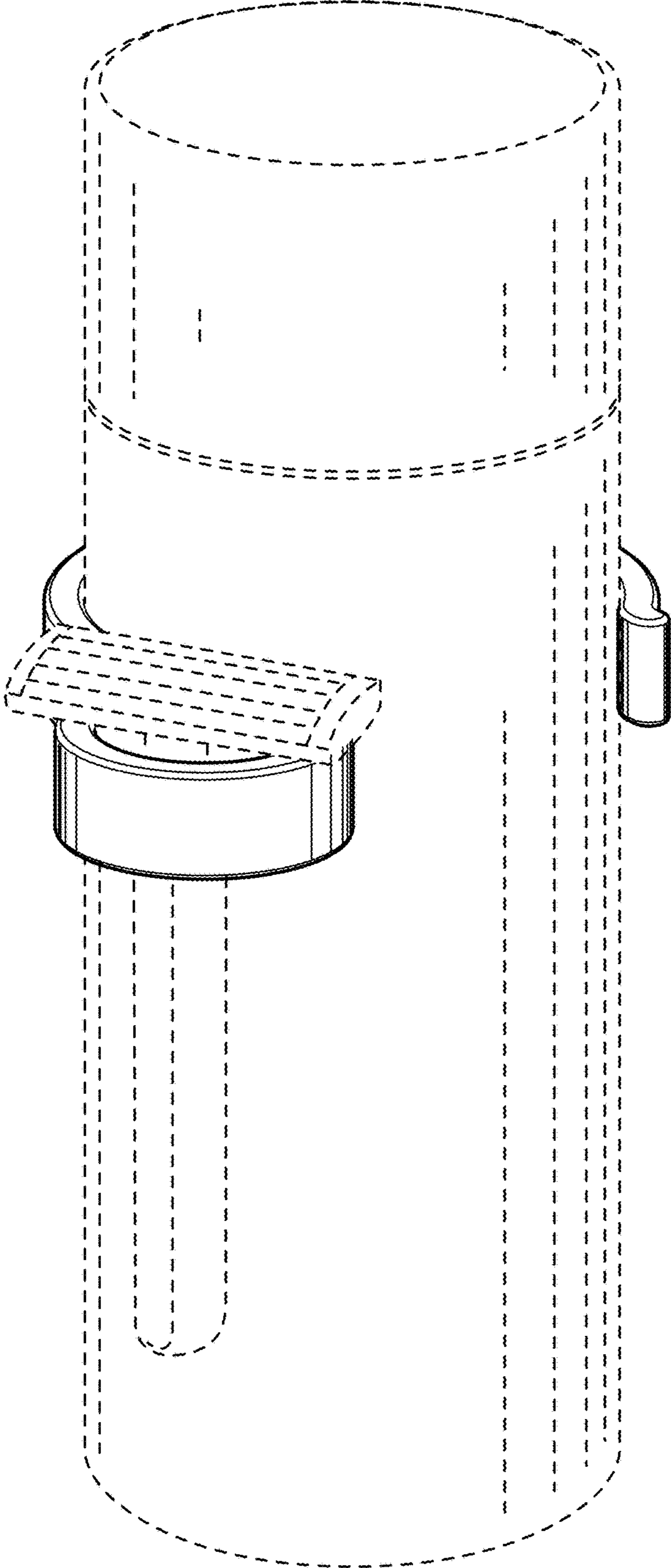


FIG. 21