



US00D777468S

(12) **United States Design Patent** (10) **Patent No.:** **US D777,468 S**  
**Currier** (45) **Date of Patent:** **\*\* Jan. 31, 2017**

(54) **TISSUE BOX HOLDER**  
(71) Applicant: **TALUS CORPORATION**, Portland, ME (US)  
(72) Inventor: **Jason Currier**, Portland, ME (US)  
(73) Assignee: **Talus Corporation**, Portland, ME (US)  
(\*\*) Term: **15 Years**

D598,556 S \* 8/2009 Chen ..... D24/190  
D609,006 S \* 2/2010 Orion ..... D3/263  
D611,545 S \* 3/2010 Williams ..... D20/28  
D613,870 S \* 4/2010 Shust ..... D24/206  
D629,115 S \* 12/2010 Robertson ..... D24/190  
D638,949 S \* 5/2011 Martinez ..... D24/190  
D657,063 S \* 4/2012 Chiang ..... D24/190  
D668,344 S \* 10/2012 Baumwald ..... D24/206

(Continued)

(21) Appl. No.: **29/554,244**  
(22) Filed: **Feb. 9, 2016**  
(51) **LOC (10) Cl.** ..... **07-07**  
(52) **U.S. Cl.**  
USPC ..... **D6/518**  
(58) **Field of Classification Search**  
USPC ..... D6/518-523, 566; 211/86.01, 87.01;  
242/570, 590, 595; D24/206, 190, 189,  
D24/191, 192; 602/60, 61, 62, 64, 65, 66,  
602/70, 74  
CPC .... B60R 7/084; A47K 10/185; Y10S 248/905  
See application file for complete search history.

**OTHER PUBLICATIONS**

Amazon.com, High Road Band-It Car Tissue Holder, Dec. 11, 2015, [https://www.amazon.com/High-Road-Band-Tissue-Holder/dp/B0198MFZWS/ref=sr\\_1\\_1?ie=UTF8&qid=1481027578&sr=8-1&keywords=high+road+tissue+holder.\\*](https://www.amazon.com/High-Road-Band-Tissue-Holder/dp/B0198MFZWS/ref=sr_1_1?ie=UTF8&qid=1481027578&sr=8-1&keywords=high+road+tissue+holder.*)

*Primary Examiner* — David Muller  
*Assistant Examiner* — Nathan Johnston  
(74) *Attorney, Agent, or Firm* — Tredecim LLC; Sean L. Sweeney

(56) **References Cited**

**U.S. PATENT DOCUMENTS**

3,119,117 A \* 1/1964 Grubman ..... A41F 9/002  
2/102  
D251,329 S \* 3/1979 Collesano ..... D28/73  
D267,555 S \* 1/1983 Cox ..... D11/2  
5,122,111 A \* 6/1992 Sebastian ..... A61F 5/028  
128/108.1  
D338,533 S \* 8/1993 Burget ..... D24/200  
D358,215 S \* 5/1995 Reed ..... D24/190  
D375,186 S \* 11/1996 Kim ..... D13/183  
D409,522 S \* 5/1999 Satterfield ..... D11/200  
D498,036 S \* 11/2004 Newman ..... D2/627  
D550,847 S \* 9/2007 Kixmiller ..... D24/190  
D554,761 S \* 11/2007 Marin ..... D24/206  
D566,288 S \* 4/2008 Chuang ..... D24/206  
7,449,006 B2 \* 11/2008 Wolanske ..... A61F 5/028  
128/100.1

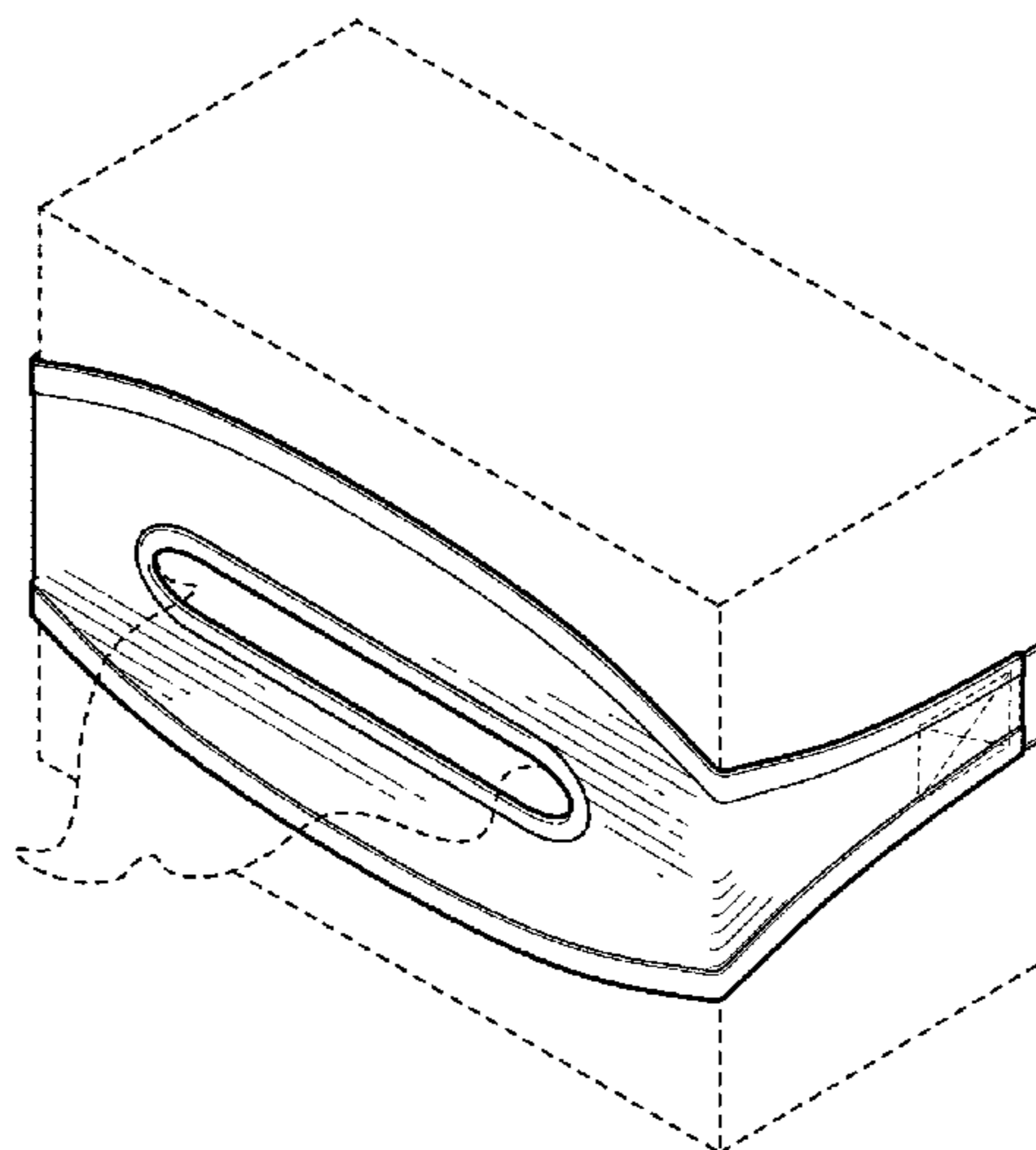
(57) **CLAIM**

The ornamental design for a tissue box holder, as shown and described.

**DESCRIPTION**

FIG. 1 is a front elevation view of a tissue box holder showing my new design;  
FIG. 2 is a rear elevation view thereof;  
FIG. 3 is a left side elevation view thereof, the right side elevation view being a mirror image;  
FIG. 4 is a top plan view thereof, the bottom plan view being a mirror image;  
FIG. 5 is a front perspective view thereof; and,  
FIG. 6 is a front perspective view thereof in use.  
The broken line showing of parts of the drawings is included for the purpose of illustrating use and environment and forms no part of the claimed design.

**1 Claim, 6 Drawing Sheets**



(56)

**References Cited**

U.S. PATENT DOCUMENTS

D681,832 S *	5/2013	Samlaska .....	D24/189
D702,765 S *	4/2014	Williams .....	D20/22
D723,224 S *	2/2015	Smith .....	D29/123
D740,152 S *	10/2015	Vaughan .....	D11/3
D767,775 S *	9/2016	Gilmer .....	D24/191

\* cited by examiner

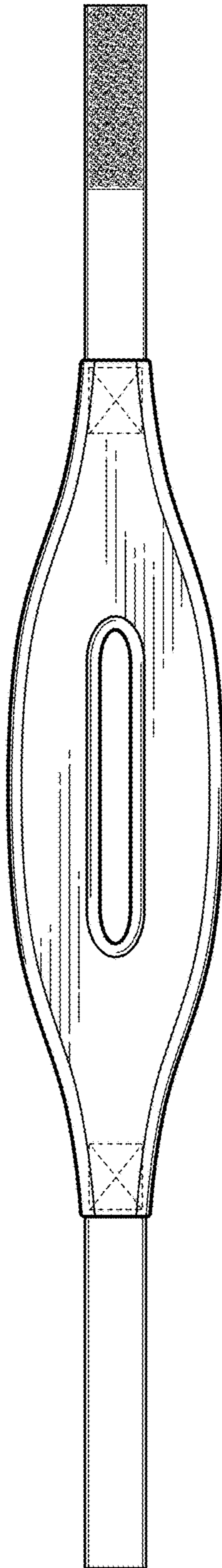


FIG. 1

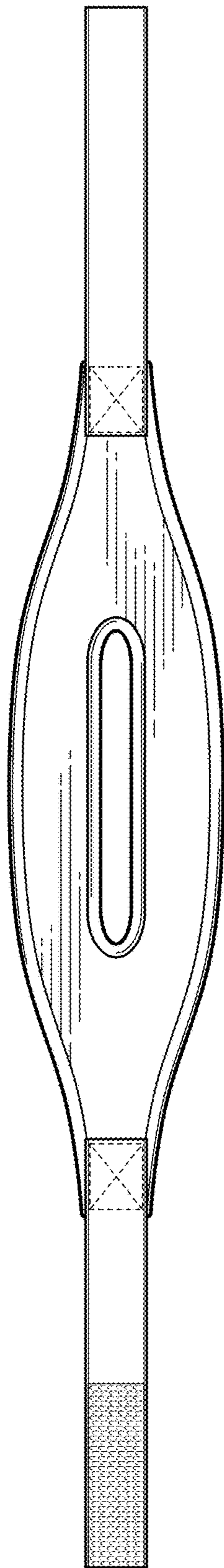


FIG. 2



FIG. 3



FIG. 4

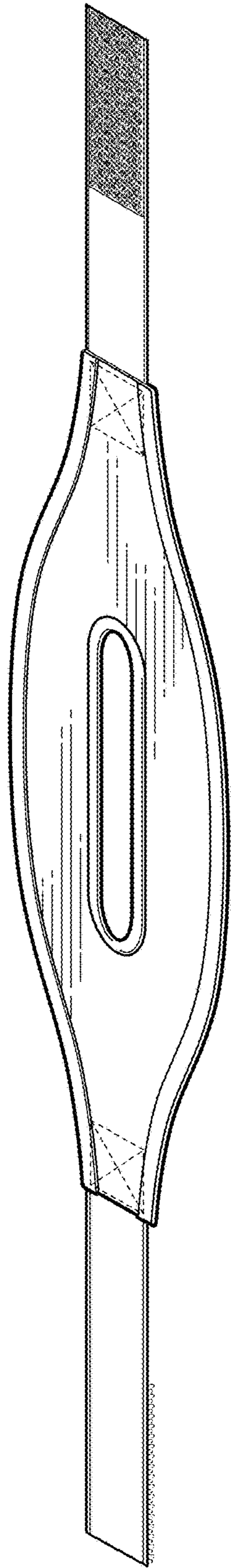


FIG. 5

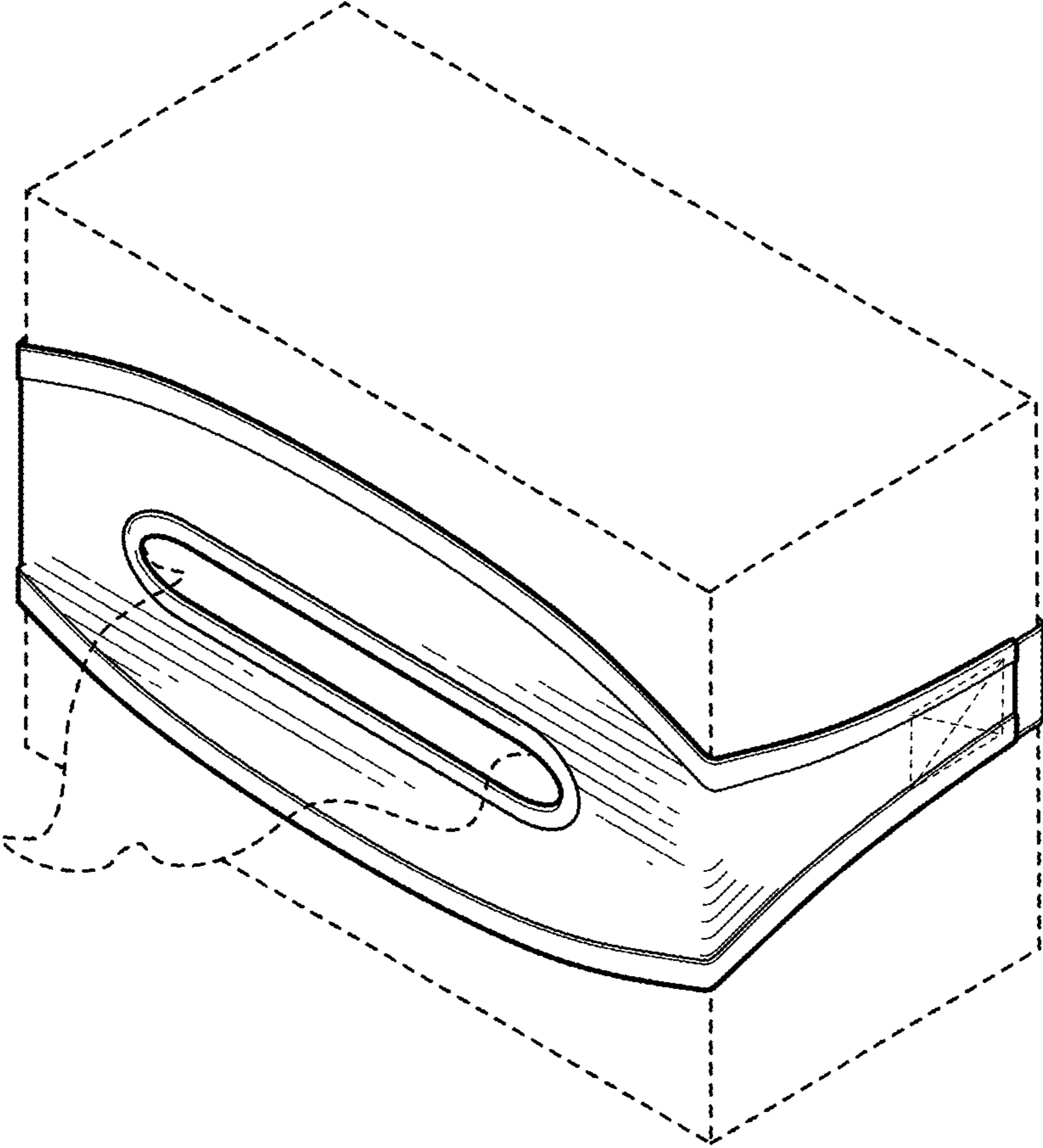


FIG. 6