



US00D777467S

(12) **United States Design Patent**
White

(10) **Patent No.:** **US D777,467 S**
(45) **Date of Patent:** **** Jan. 31, 2017**

(54) **OFFSET DISPLAY HOLDER WITH C-CHANNEL**

(71) Applicant: **Michael J. White**, Ripon, WI (US)
(72) Inventor: **Michael J. White**, Ripon, WI (US)
(73) Assignee: **K-International, Inc.**, Ripon, WI (US)
(**) Term: **14 Years**

(21) Appl. No.: **29/521,216**

(22) Filed: **Mar. 20, 2015**

(51) **LOC (10) Cl.** **08-05**

(52) **U.S. Cl.**
USPC **D6/512**

(58) **Field of Classification Search**

USPC D6/512, 310, 550, 702; D3/220; D8/16, D8/19, 47, 339, 349, 363, 373, 374, 376, D8/380-382; D20/40, 42, 43, 44, 99; D23/259; D25/133; 24/272; 52/4, 260, 52/649.1, 649.2, 296; 224/242, 246, 250, 224/269, 669, 901.4, 930; 482/16
CPC G09F 7/04; G09F 1/10; G09F 1/12; G09F 19/00; G09F 2007/1852; G09F 3/08; G09F 5/00; G09B 1/08
See application file for complete search history.

(56) **References Cited**

U.S. PATENT DOCUMENTS

D322,634 S *	12/1991	Callas	D20/42
D386,531 S *	11/1997	Callas	D20/40
D398,029 S *	9/1998	Falls	D20/44
D433,459 S *	11/2000	Balchin	D20/44
D454,593 S *	3/2002	Kosir	D20/44
D661,746 S *	6/2012	Baldursson	D20/44
D742,970 S *	11/2015	White	D20/43
D749,404 S *	2/2016	White	D8/380
D749,405 S *	2/2016	White	D8/380

(Continued)

Primary Examiner — Wan Laymon
Assistant Examiner — Mark Booker
(74) *Attorney, Agent, or Firm* — Schiff Hardin LLP

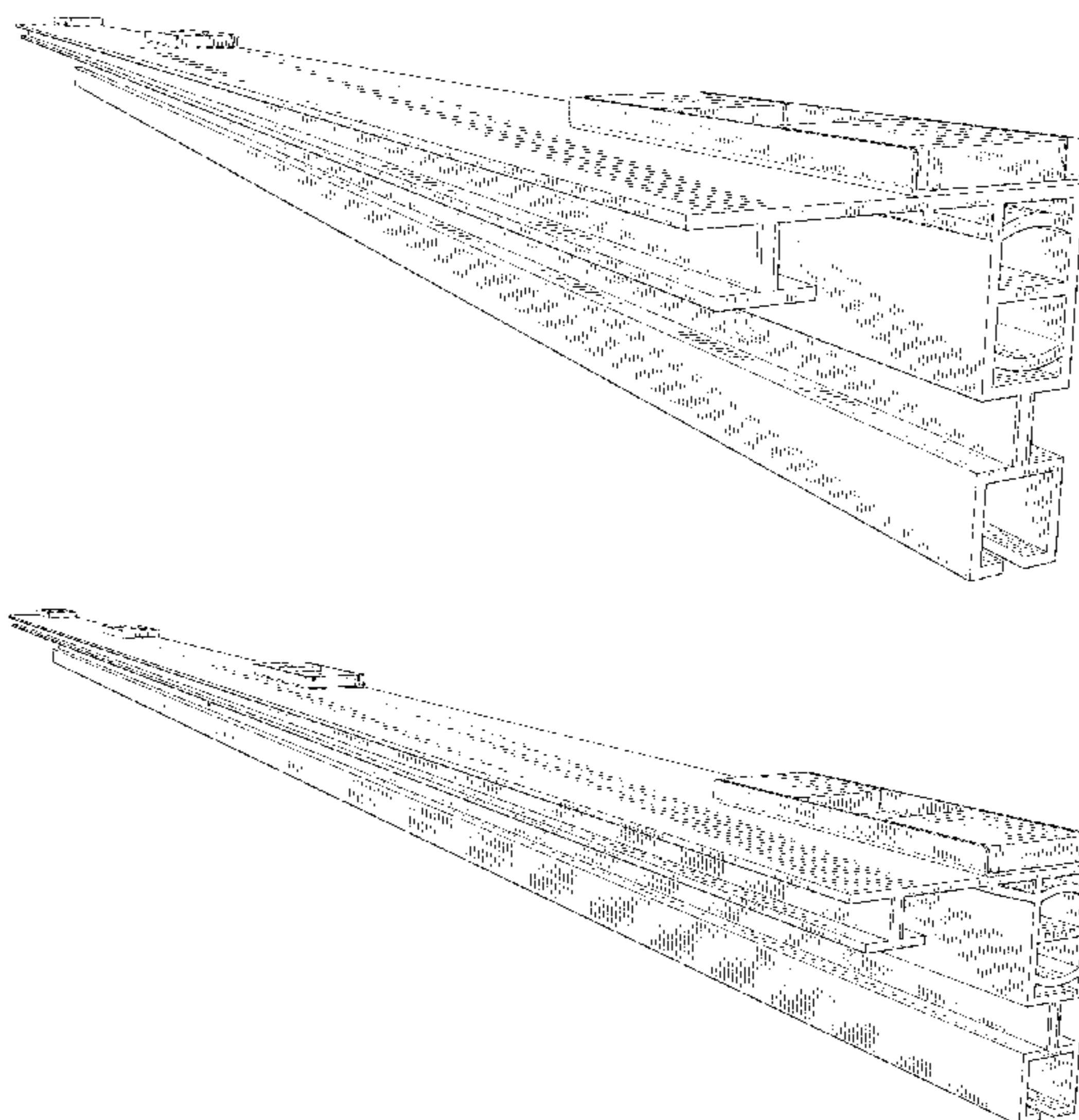
(57) **CLAIM**

The ornamental design of an offset display holder with C-channel, as shown and described.

DESCRIPTION

FIG. 1 is an enlarged perspective view taken from the front, top, right side of the offset display holder with C-channel showing my new design;
FIG. 2 is a top plan view of the offset display holder with C-channel of FIG. 1;
FIG. 3 is a bottom plan view of the offset display holder with C-channel of FIG. 1;
FIG. 4 is a front elevational view of the offset display holder with C-channel of FIG. 1;
FIG. 5 is a back elevational view of the offset display holder with C-channel of FIG. 1; and
FIG. 6 is a right side elevational view of the offset display holder with C-channel of FIG. 1, the left side elevational view being a mirror image thereof but otherwise identical; FIG. 6a is an enlarged view of the right side elevational view of the offset display holder with C-channel of FIG. 1, the left side elevational view being a mirror image thereof but otherwise identical;
FIG. 7 is a perspective view taken from the front, top, right side of the offset display holder with C-channel of a second embodiment showing my new design, further views of the second embodiment not being shown as the further views are apparent from the views of FIGS. 1-6; and,
FIG. 8 is a perspective view taken from the back, top, right side of the offset display holder with C-channel of a third embodiment showing my new design, further views of the third embodiment not being shown as the further views are apparent from the views of FIGS. 1-7.
The broken lines shown in the figures represent portions of the offset display holder with C-channel that form no part of the claimed design.

1 Claim, 6 Drawing Sheets



(56)

References Cited

U.S. PATENT DOCUMENTS

D750,544 S * 3/2016 Burhanidust D12/223
D751,024 S * 3/2016 Burhanidust D12/223
D751,375 S * 3/2016 White D8/380

* cited by examiner

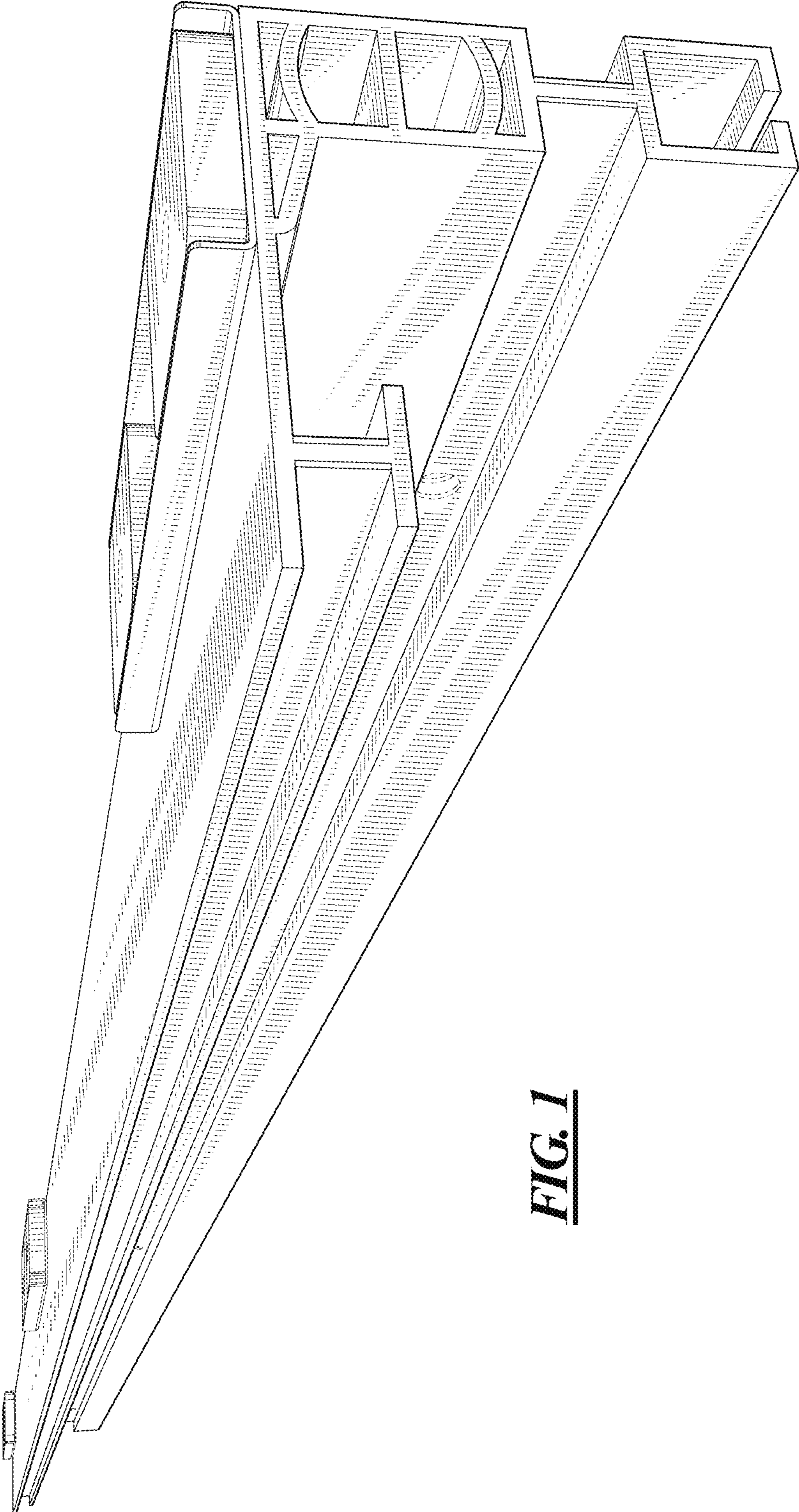


FIG. 1

FIG. 2



FIG. 3

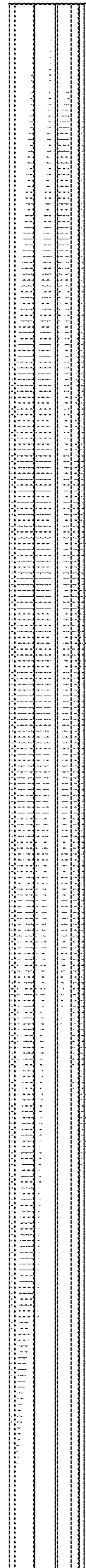


FIG. 4



FIG. 5

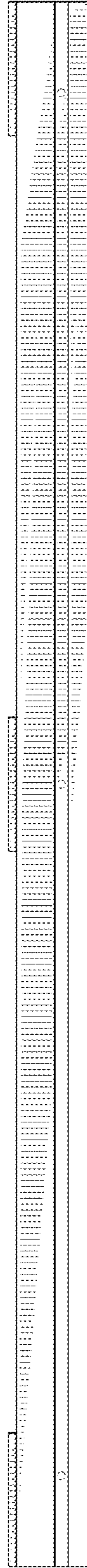


FIG. 6

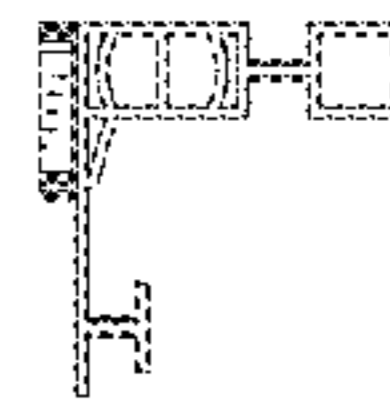
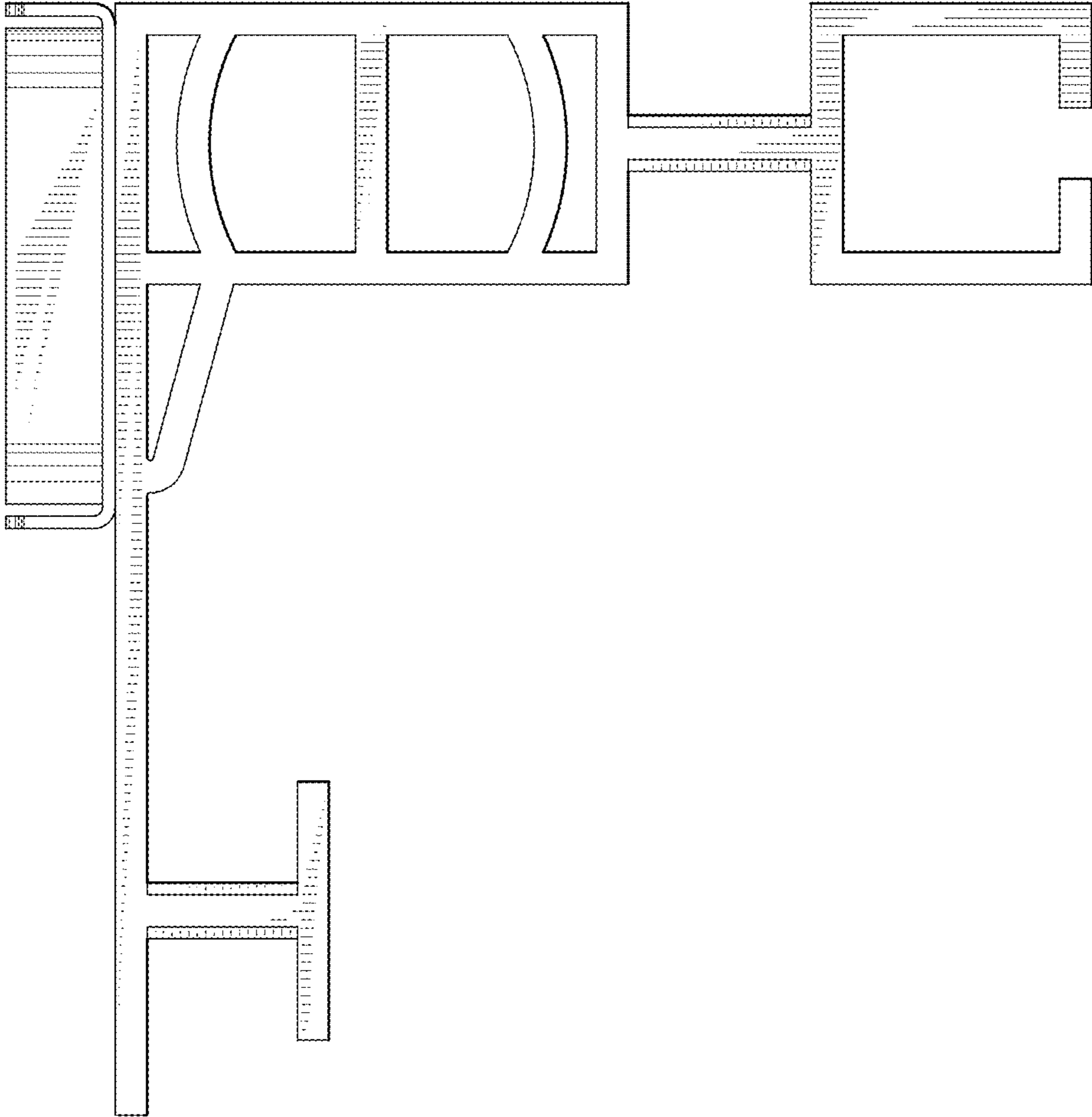


FIG. 6a



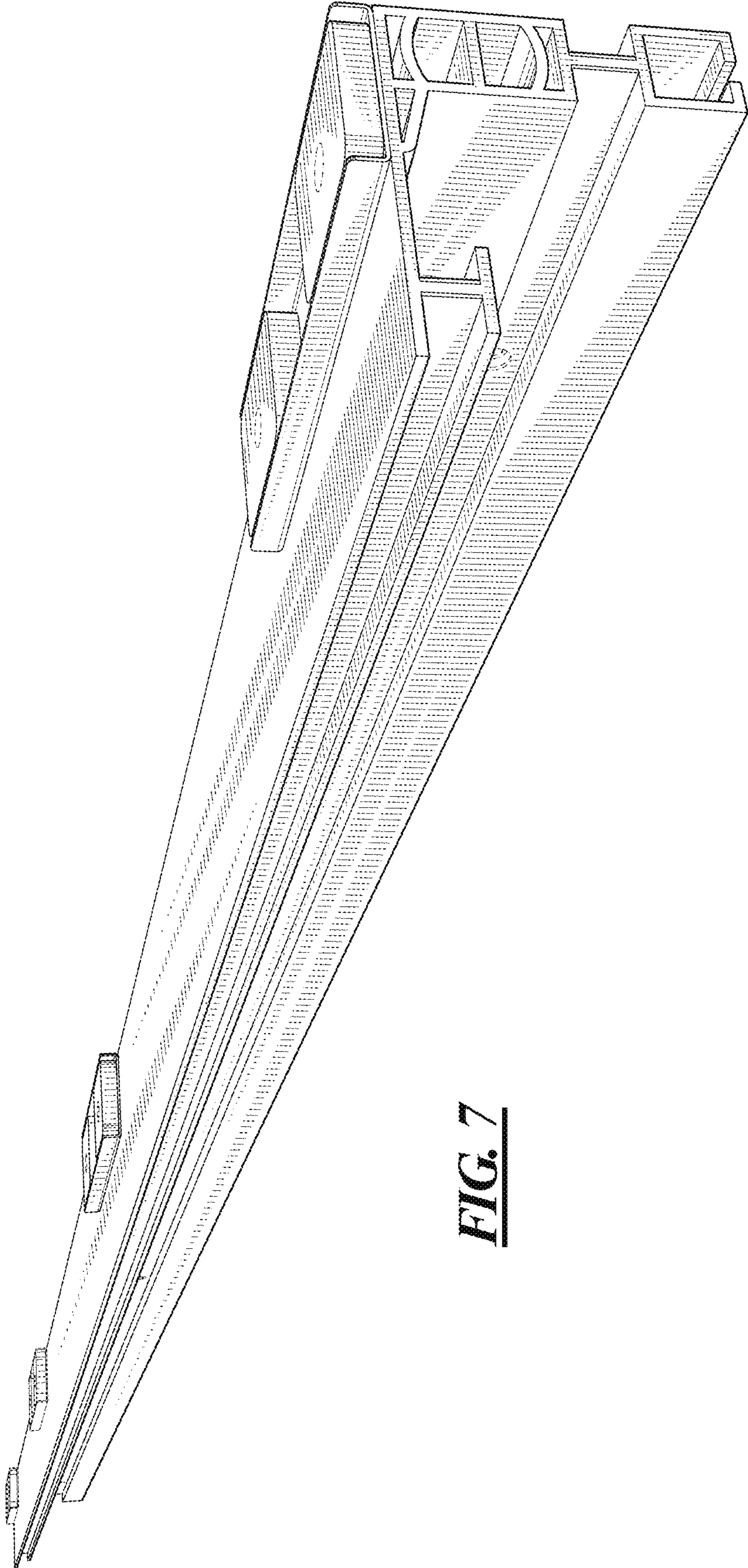


FIG. 7

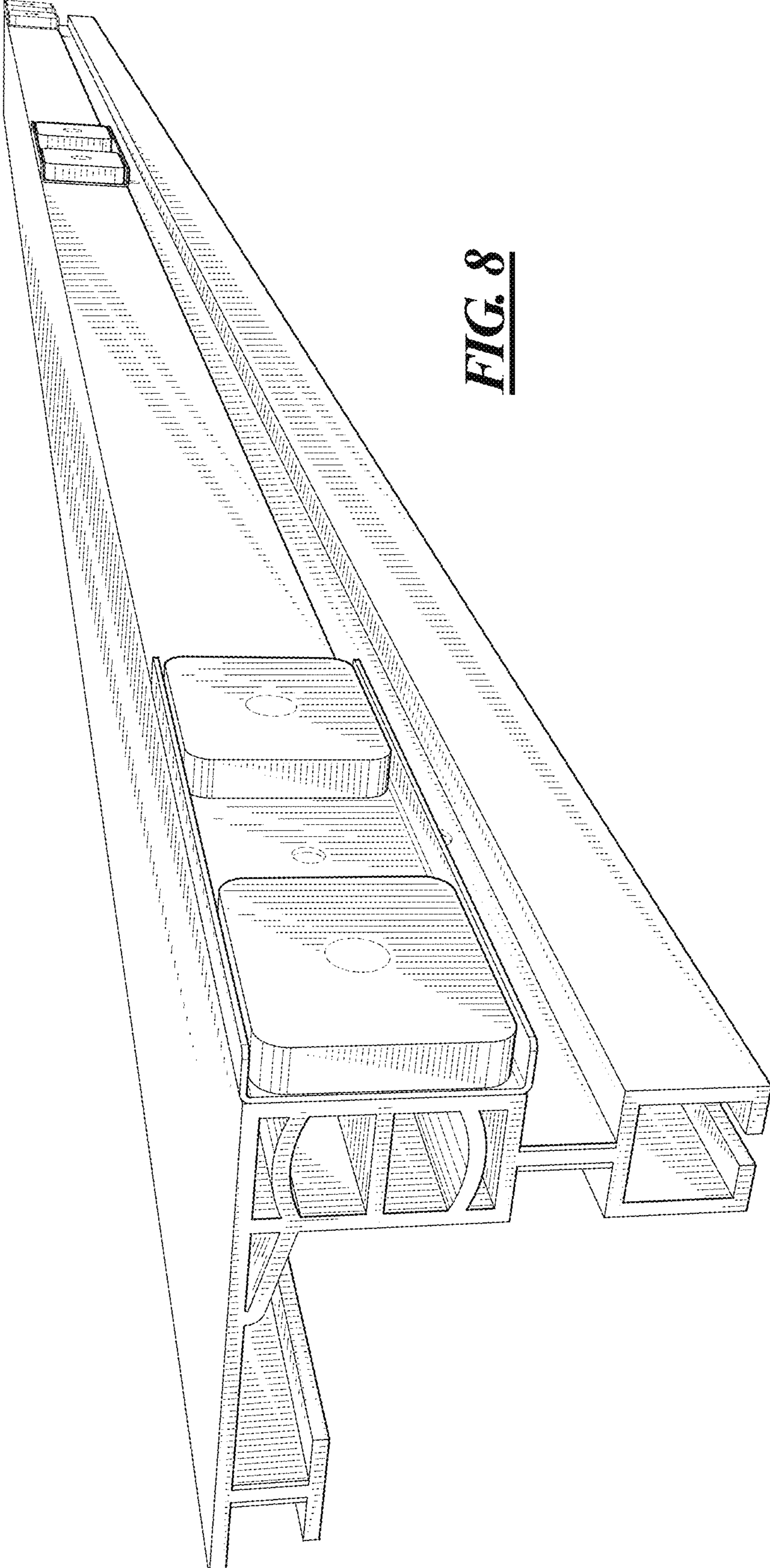


FIG. 8