



US00D777465S

(12) **United States Design Patent**
Milde

(10) **Patent No.:** **US D777,465 S**
(45) **Date of Patent:** **** Jan. 31, 2017**

- (54) **ADIRONDACK CHAIR**
- (71) Applicant: **Paul G. Milde**, Mattapoisett, MA (US)
- (72) Inventor: **Paul G. Milde**, Mattapoisett, MA (US)
- (**) Term: **15 Years**
- (21) Appl. No.: **29/505,742**
- (22) Filed: **Jan. 26, 2016**
- (51) **LOC (10) Cl.** **06-01**
- (52) **U.S. Cl.**
USPC **D6/370**
- (58) **Field of Classification Search**
USPC D6/334-336, 363, 368, 370, 374,
379,D6/380, 716, 716.1, 716.2, 716.3,
716.4
CPC A47C 1/143; A47C 3/04; A47C 4/02;
A47C 4/03; A47C 4/08; A47C
4/14; A47C 4/16; A47C 5/12; A47C
4/021; A47C 4/028; A47C 7/54; A47C
7/68
See application file for complete search history.

(56) **References Cited**

U.S. PATENT DOCUMENTS

- 1,855,130 A * 4/1932 Appleby A47C 4/16
297/21
- D109,239 S * 4/1938 Wolpin D6/370
- 2,600,626 A * 6/1952 Ellingson A47C 4/14
297/31

- 2,650,652 A * 9/1953 Watson A47C 4/14
297/31
- 2,713,888 A * 7/1955 Andrews A47C 4/08
297/124
- 4,635,998 A * 1/1987 Hickey A47C 4/08
297/31
- 4,707,023 A * 11/1987 Hickey A47C 4/08
297/31
- 4,976,492 A * 12/1990 Ziegler A47C 4/14
297/31
- D319,354 S * 8/1991 Wolcott D6/370
- 5,120,071 A * 6/1992 Thibault A47C 1/143
297/423.21
- 5,911,469 A * 6/1999 Young A47C 7/54
297/31

* cited by examiner

Primary Examiner — Mimosa De

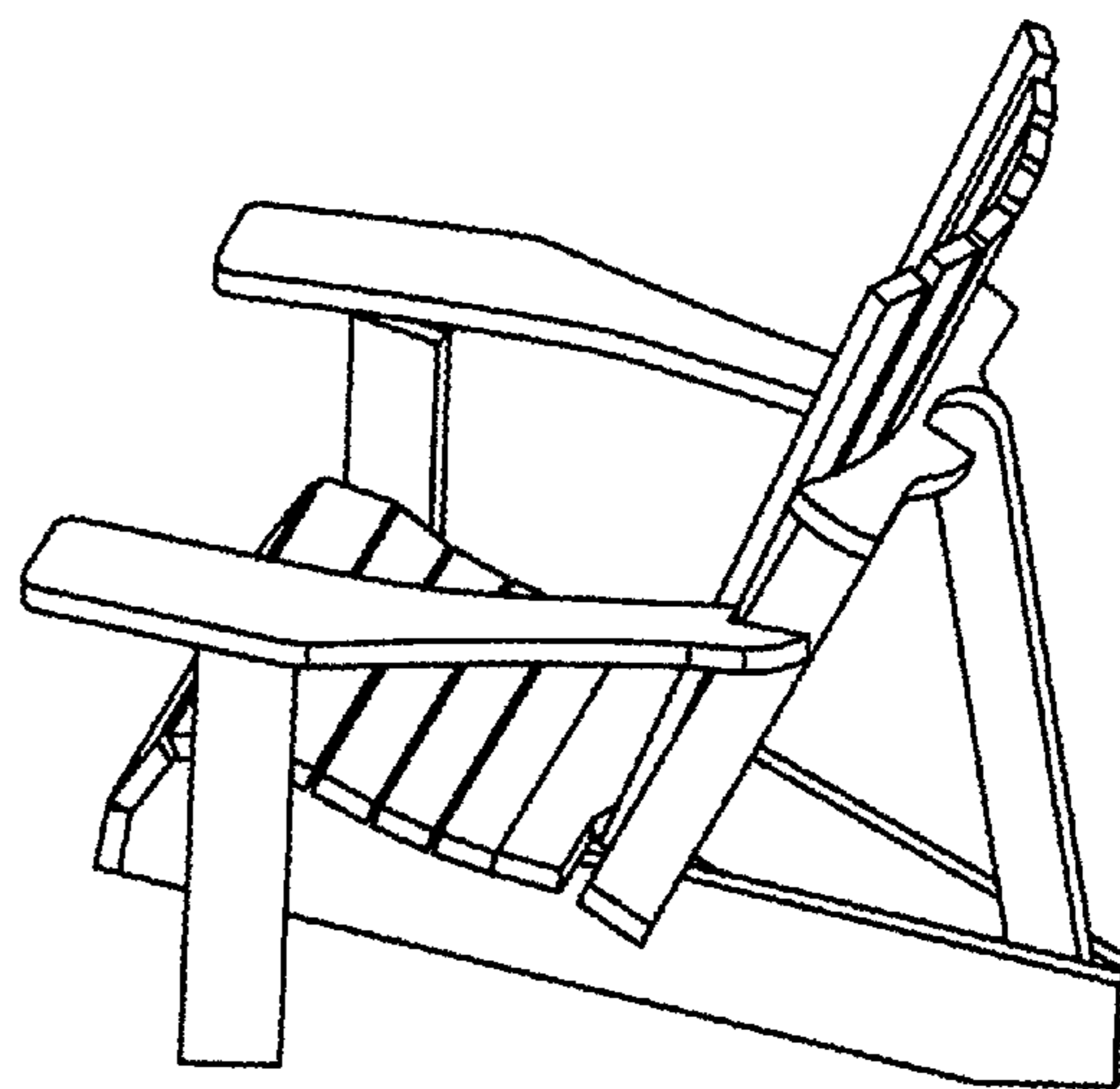
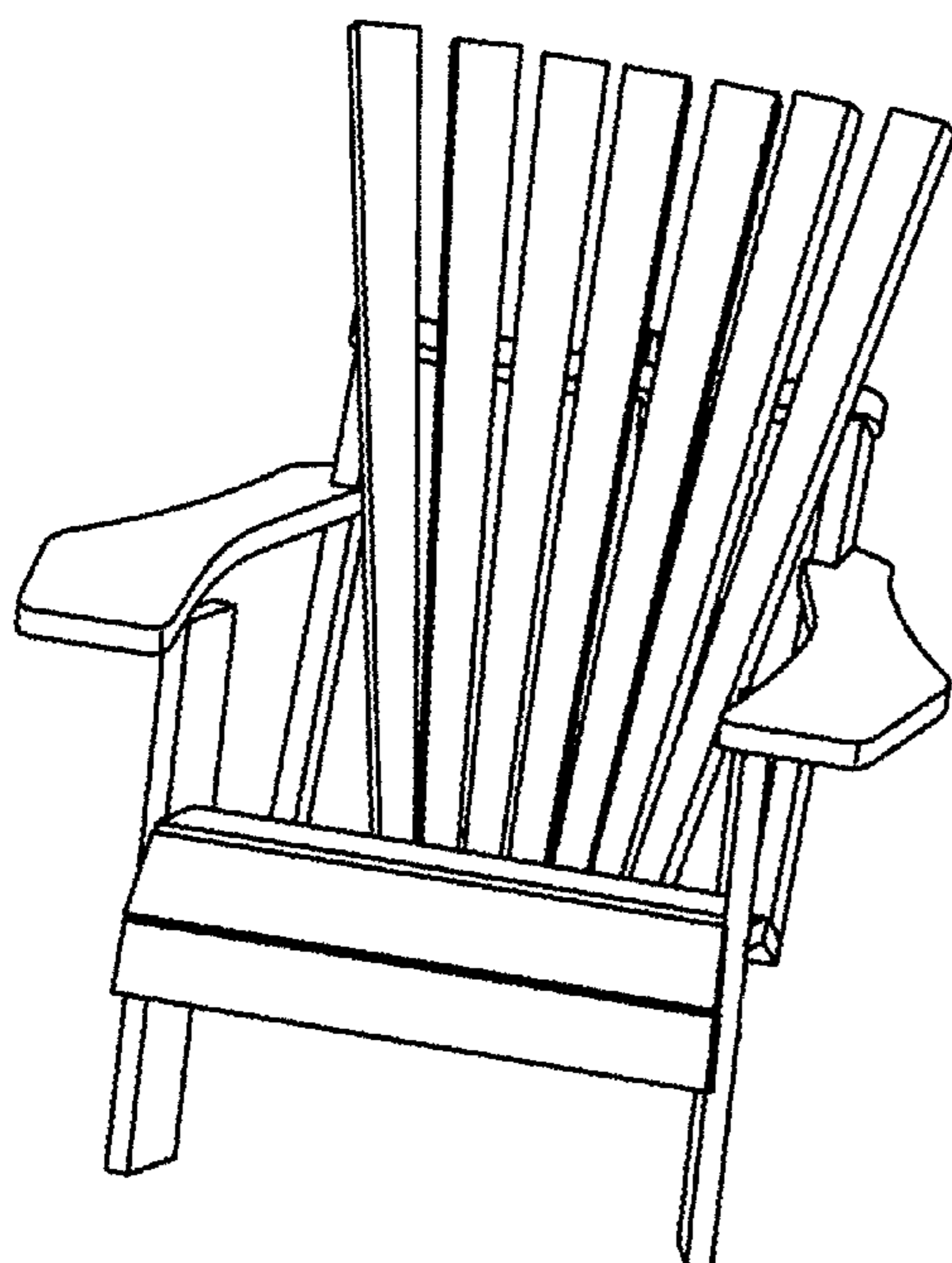
(57) **CLAIM**

What is claimed is the ornamental design for an adirondack chair, as shown and described.

DESCRIPTION

FIG. 1 is a top-left-front perspective view of an adirondack chair, showing the new design;
 FIG. 2 is a top-left-rear perspective view thereof;
 FIG. 3 is a front view thereof;
 FIG. 4 is a rear view thereof;
 FIG. 5 is a bottom view thereof;
 FIG. 6 is a top view thereof; and,
 FIG. 7 is a right-side view thereof (the left-side view is a mirror image thereof).

1 Claim, 4 Drawing Sheets



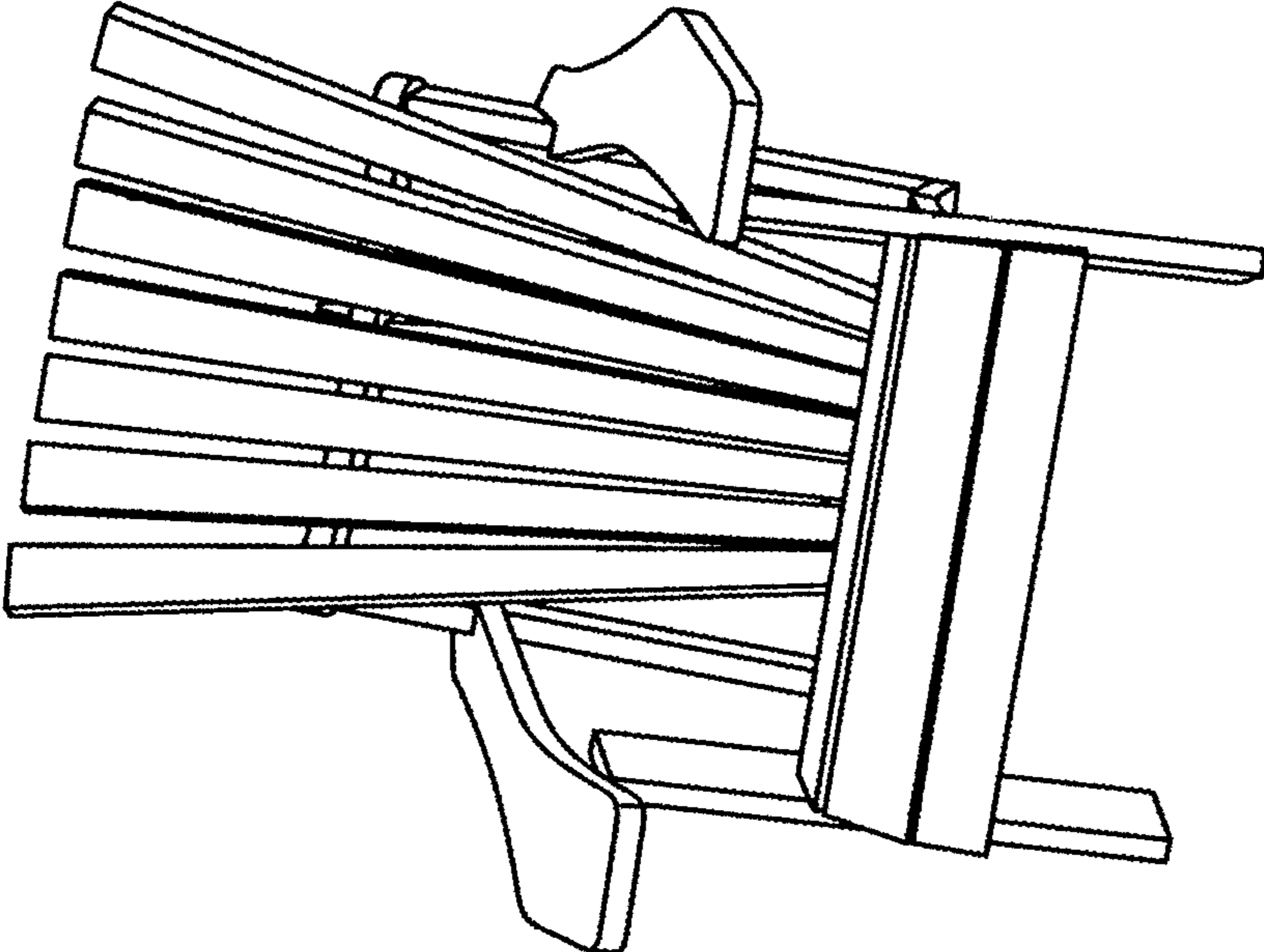


FIG. 1

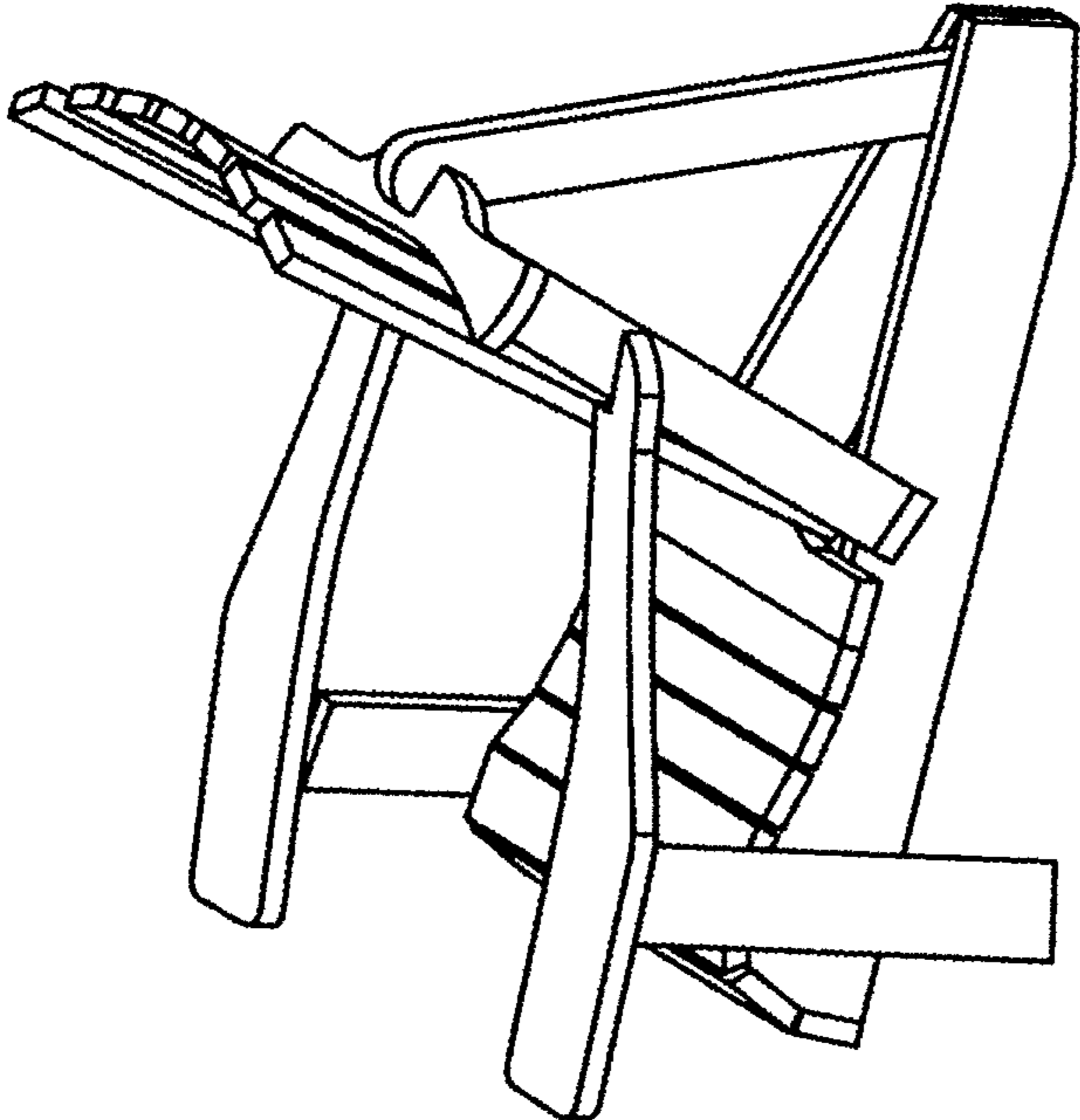


FIG. 2

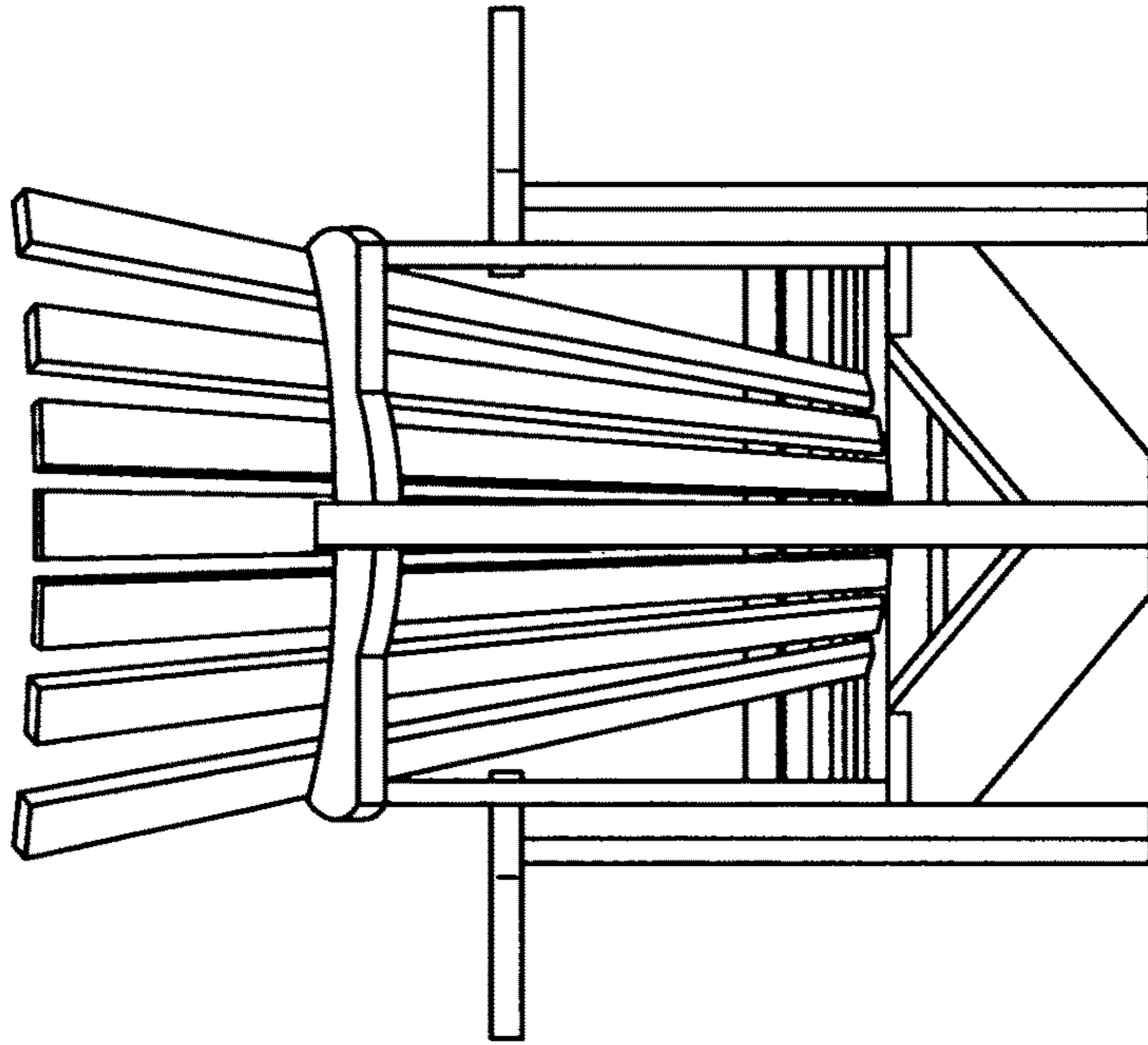


FIG. 4

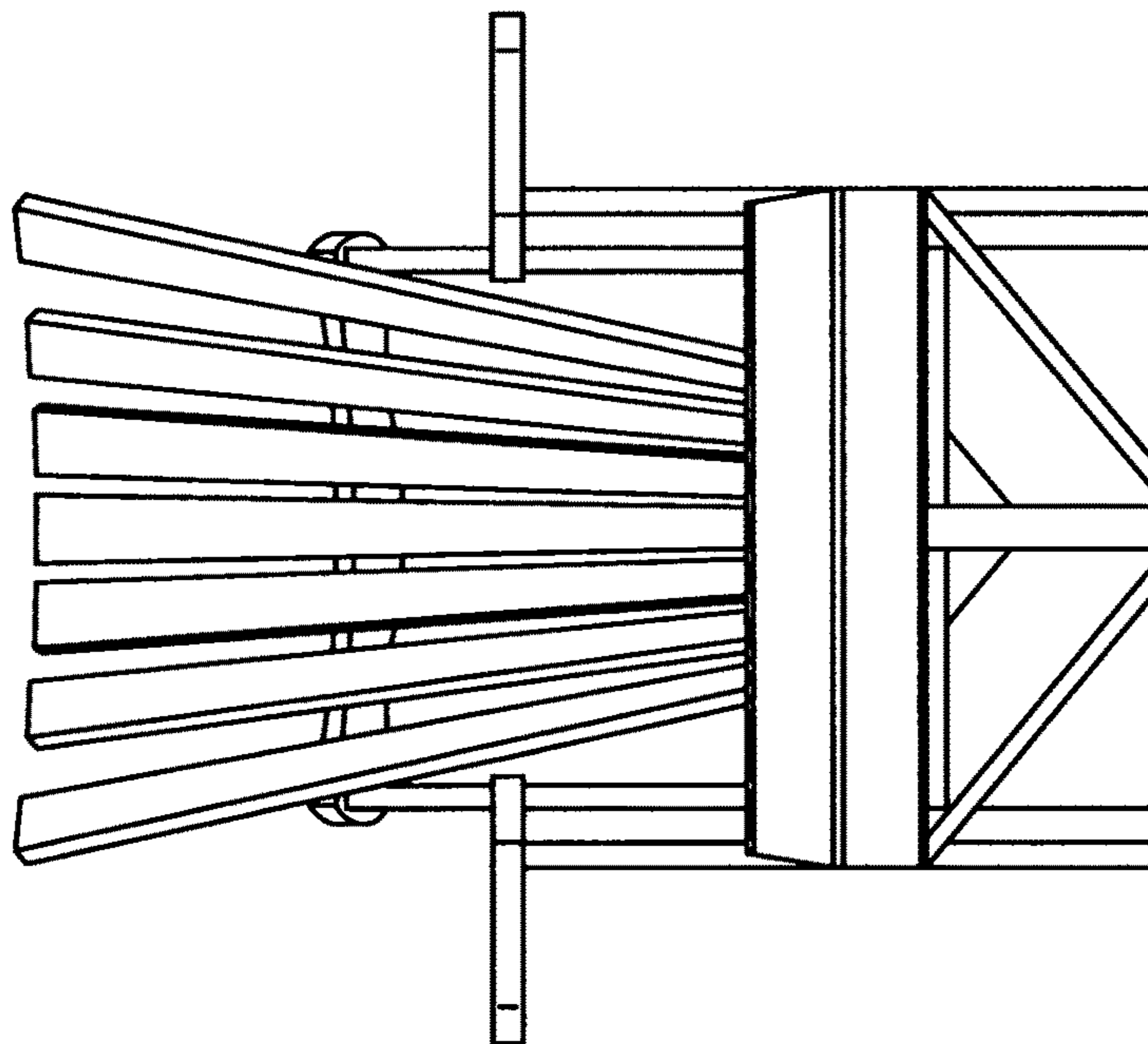


FIG. 3

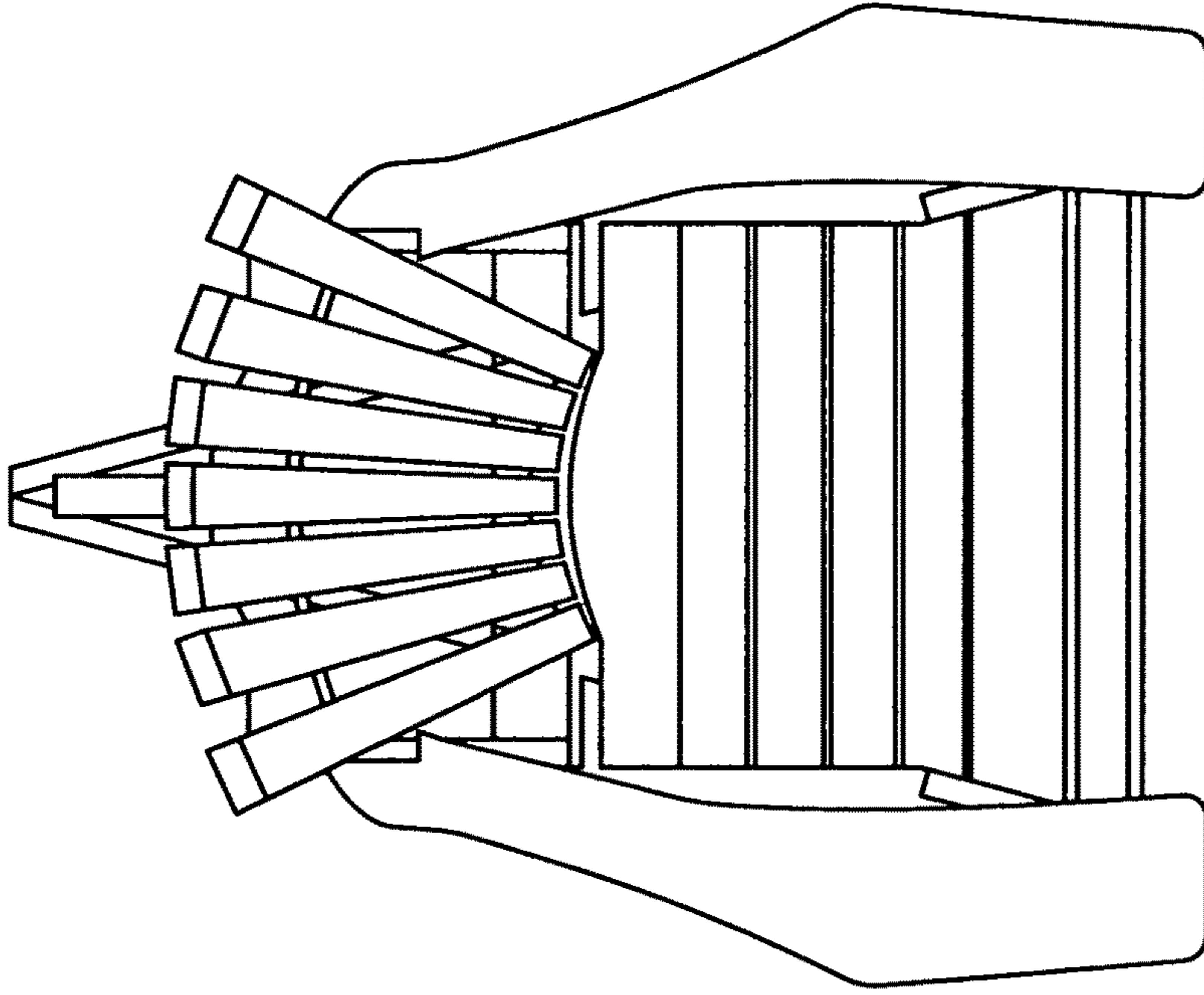


FIG. 6

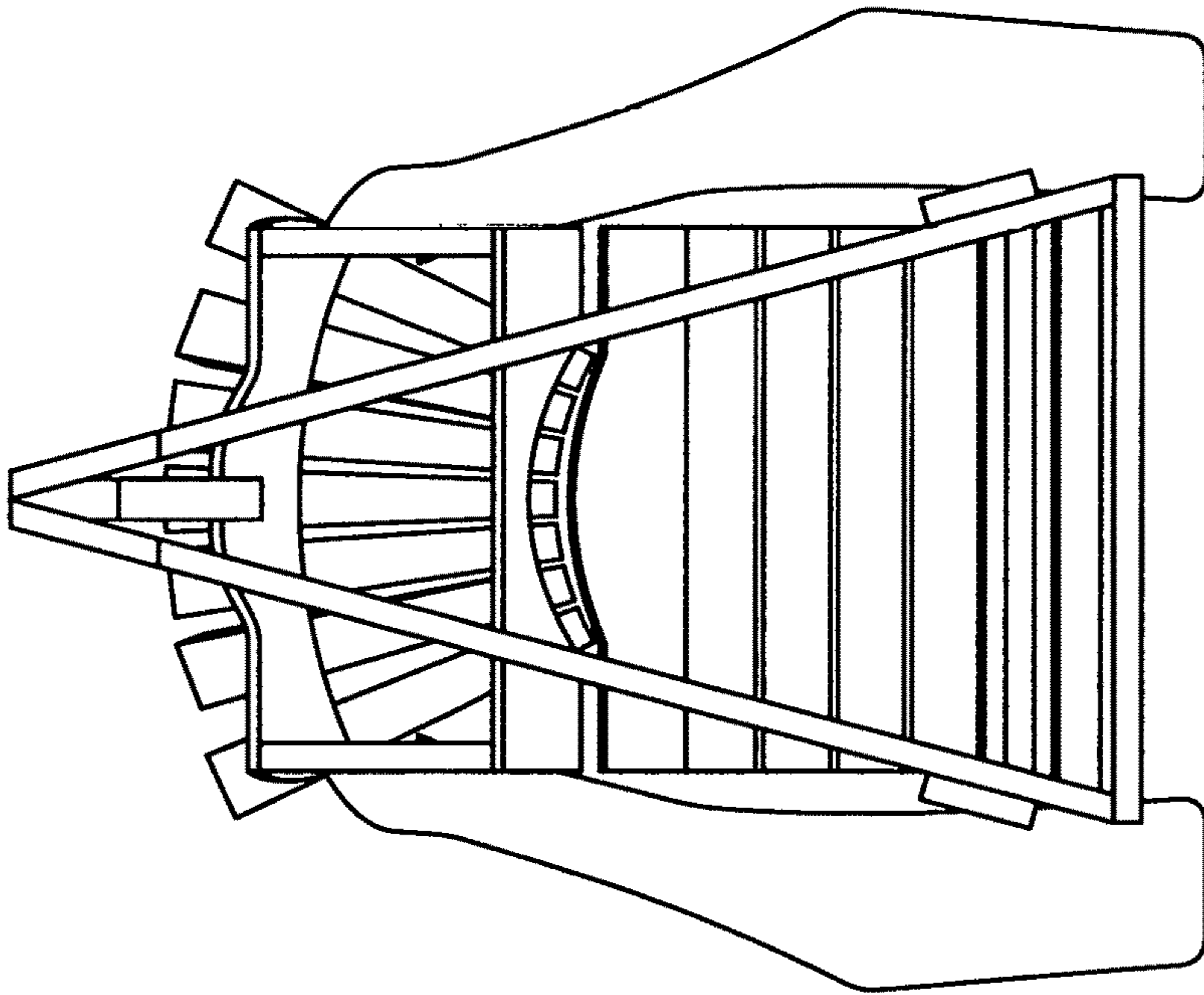


FIG. 5

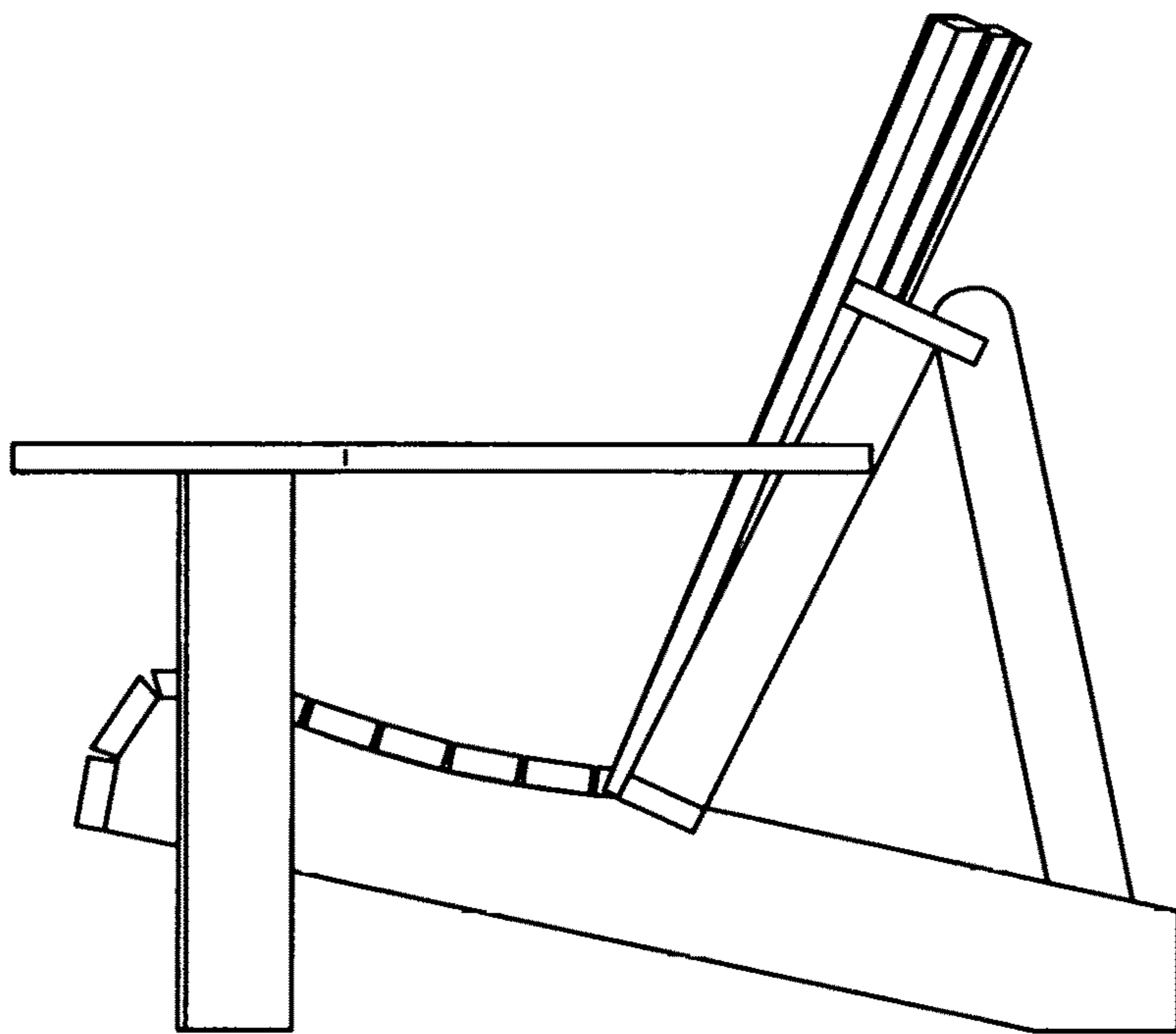


FIG. 7