



US00D777463S

(12) **United States Design Patent**
Haaksma

(10) **Patent No.:** **US D777,463 S**

(45) **Date of Patent:** **** Jan. 31, 2017**

(54) **CHAIR**

(71) Applicant: **BQ Ergonomics LLC**, Overland Park, KS (US)

(72) Inventor: **Steven Haaksma**, Leawood, KS (US)

(73) Assignee: **BQ ERGONOMICS LLC**, Overland Park, KS (US)

(**) Term: **15 Years**

(21) Appl. No.: **29/536,893**

(22) Filed: **Aug. 20, 2015**

(51) **LOC (10) Cl.** **06-01**

(52) **U.S. Cl.**
USPC **D6/366**

(58) **Field of Classification Search**

USPC D6/335, 360, 364-368, 374, 716, 716.4;
297/118, 284.4, 344.19, 353, 411.2,
297/452.18, 452.24, 452.26, 452.28,
297/452.32-33, 452.37
CPC A47C 7/02; A47C 7/44; A47C 7/46;
A47C 7/48; A47C 7/54; A47C
7/386; A47C 7/462; A47C 1/10; A47C
1/031; B60N 2/02; B60N 2/22; B60N
2/44

See application file for complete search history.

(56) **References Cited**

U.S. PATENT DOCUMENTS

D227,953 S * 7/1973 Prizlow D6/366
D274,865 S * 7/1984 Murry D6/360

(Continued)

Primary Examiner — Manpreet Matharu

Assistant Examiner — Keith Wilson

(74) *Attorney, Agent, or Firm* — Patent Law Offices of Rick Martin, P.C.

(57) **CLAIM**

The ornamental design for a chair, as shown and described.

DESCRIPTION

FIG. 1 is a top perspective view of my new design for a chair.

FIG. 2 is a top perspective view with the seat bent down;

FIG. 3 is a left side elevation view with the seat straight;

FIG. 4 is a right side elevation view with the seat straight;

FIG. 5 is a rear elevation view with the seat straight;

FIG. 6 is a front elevation view with the seat straight;

FIG. 7 is a bottom plan view with the seat straight;

FIG. 8 is a top plan view with the seat straight;

FIG. 9 is a left side bottom perspective view with the seat straight;

FIG. 10 is a right side bottom perspective view with the seat straight;

FIG. 11 is a left side elevation view with the seat bent down;

FIG. 12 is a right side elevation view with the seat bent down;

FIG. 13 is a rear elevation view with the seat bent down;

FIG. 14 is a front elevation view with the seat bent down;

FIG. 15 is a bottom plan view with the seat bent down;

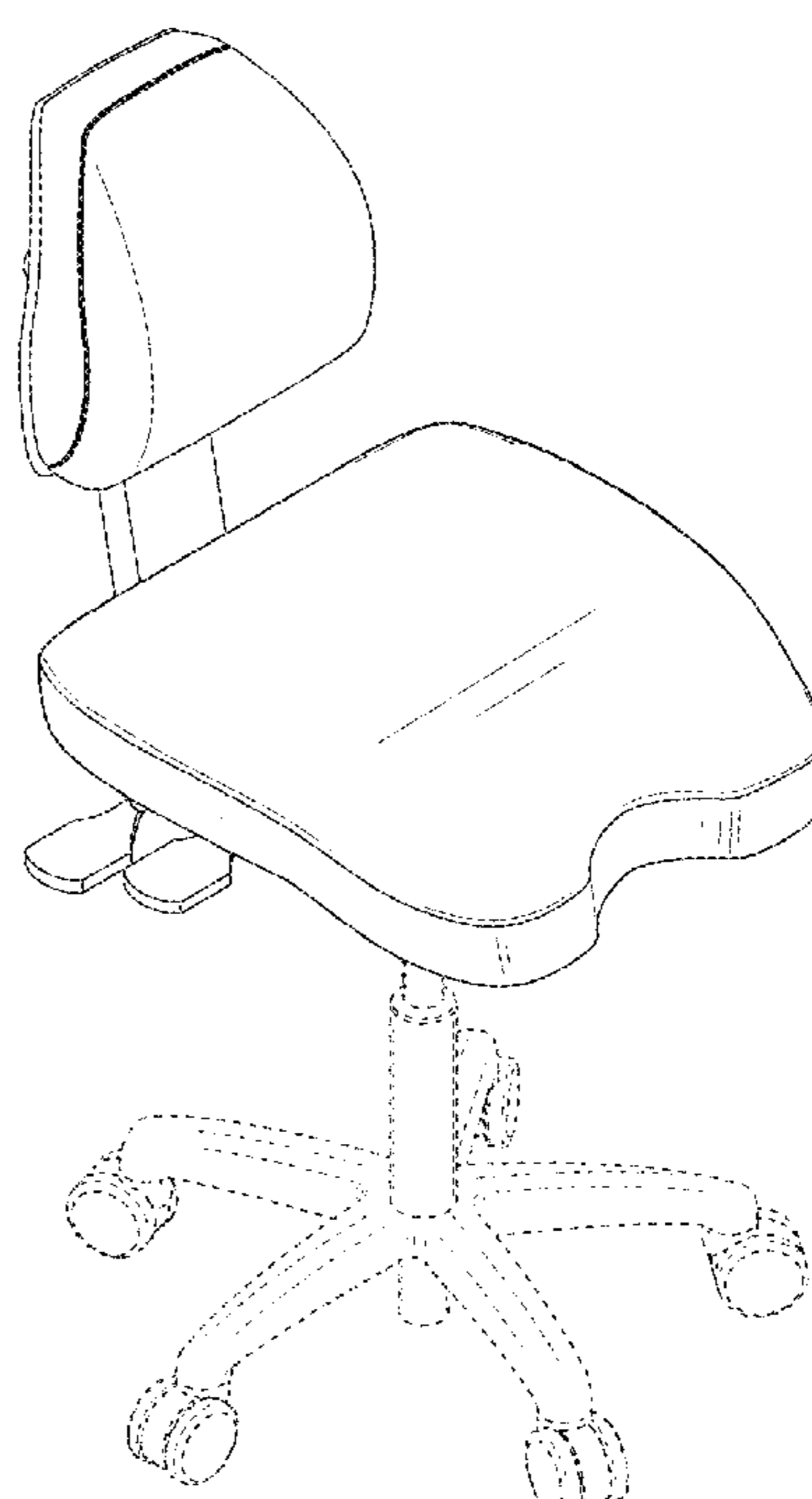
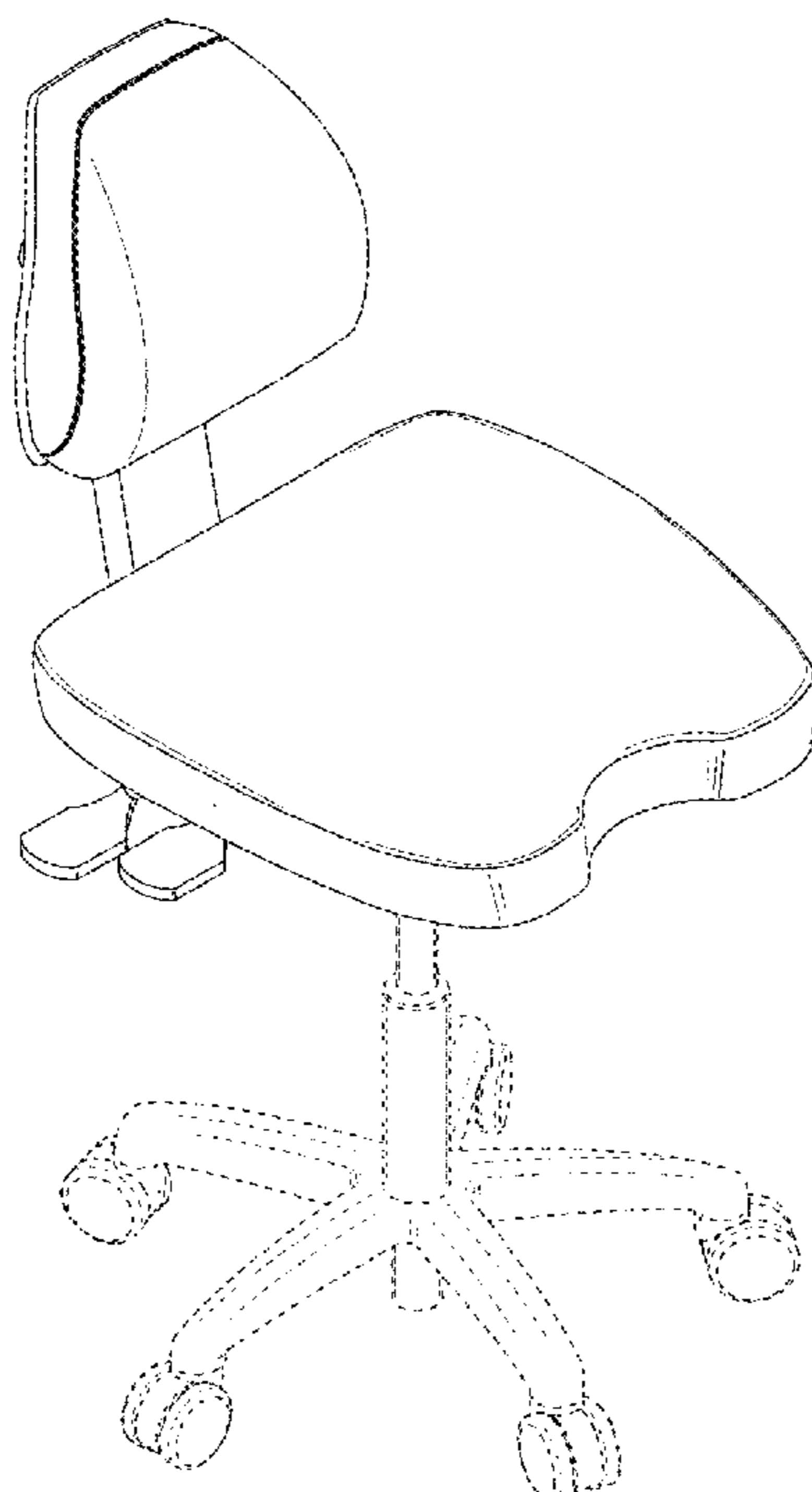
FIG. 16 is a top plan view with the seat bent down;

FIG. 17 is a left side bottom perspective view with the seat bent down; and,

FIG. 18 is a right side bottom perspective view with the seat bent down.

The broken lines indicating a chair back are for the purpose of illustrating a base and form no part of the claimed design.

1 Claim, 7 Drawing Sheets



(56)

References Cited

U.S. PATENT DOCUMENTS

D274,958	S *	8/1984	Aronowitz	D6/360
D275,242	S *	8/1984	Stephens	D6/360
D289,708	S *	5/1987	Rykken	D6/335
D381,823	S *	8/1997	Ellsworth	D6/360
D515,831	S *	2/2006	Hosoe	D6/360
D550,975	S *	9/2007	Meda	D6/366
D577,933	S *	10/2008	Haaksma	D6/366
D608,558	S *	1/2010	Rush	D6/367
D609,022	S *	2/2010	Yamanaka	D6/366
D657,594	S *	4/2012	Knight	D6/366
D675,840	S *	2/2013	Jannetides	D6/366
8,585,136	B2 *	11/2013	Warncke	A47C 3/20 297/118
D708,885	S *	7/2014	Tsai	D6/716.4

* cited by examiner

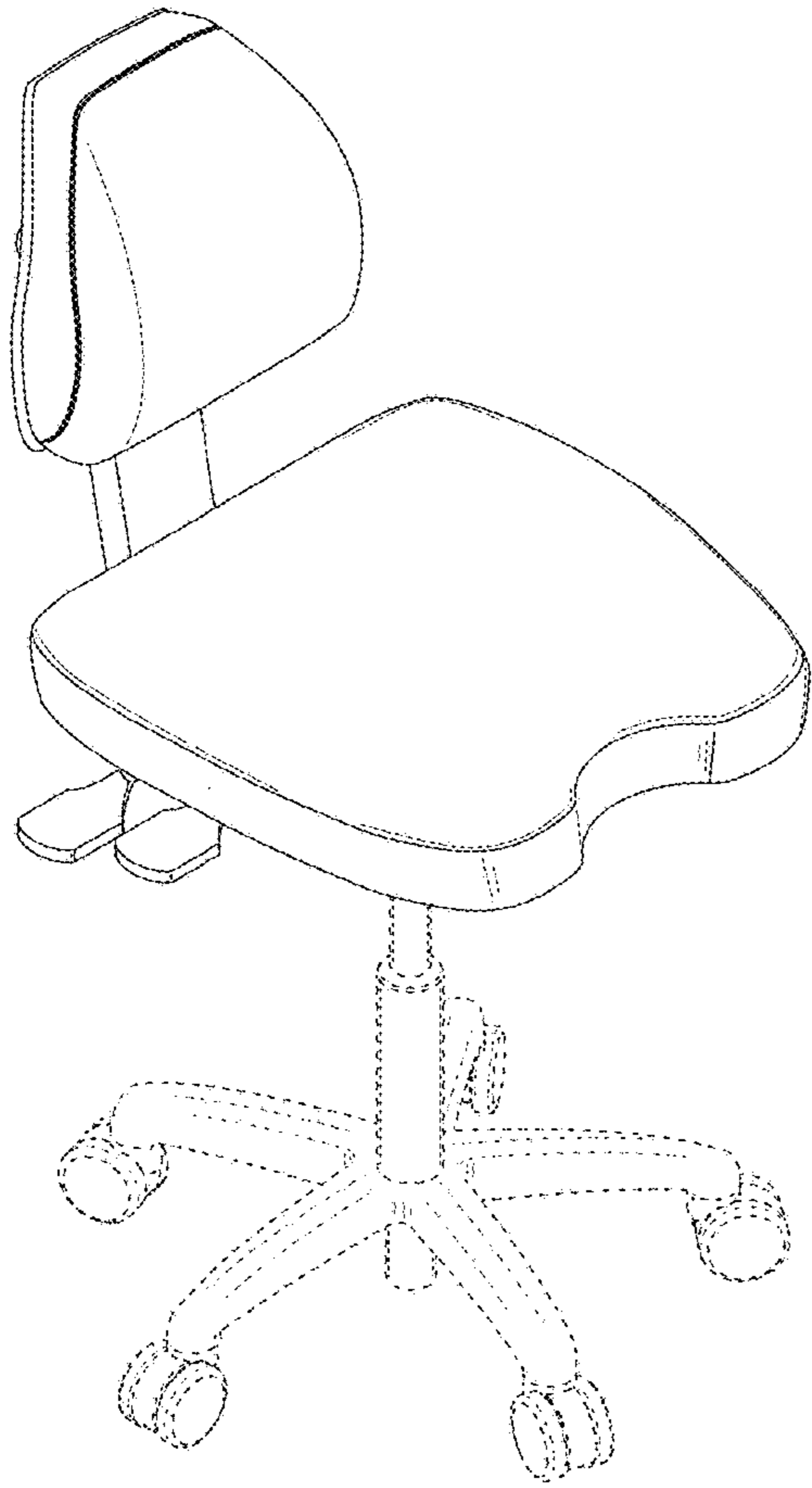


Fig. 1

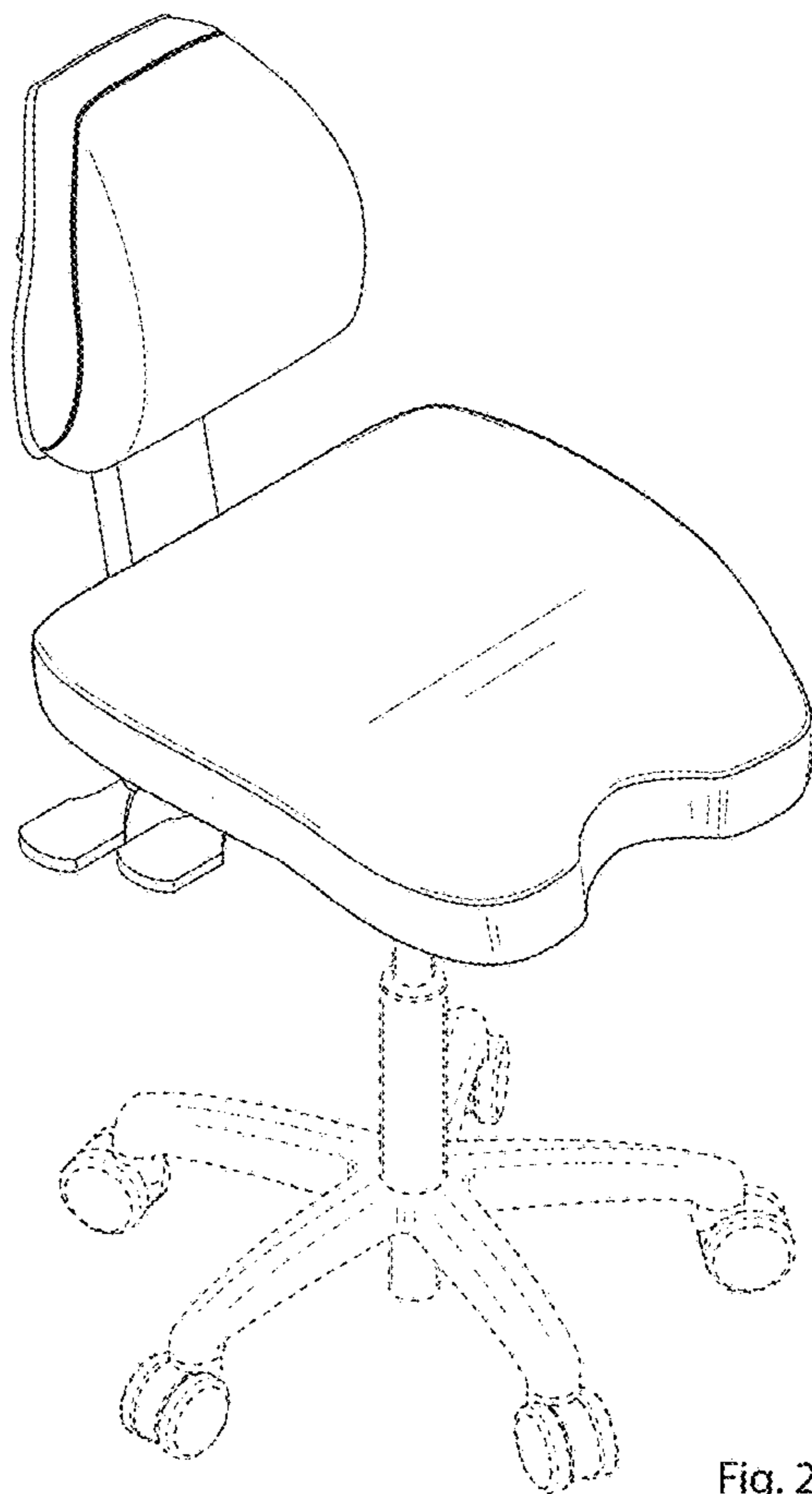


Fig. 2

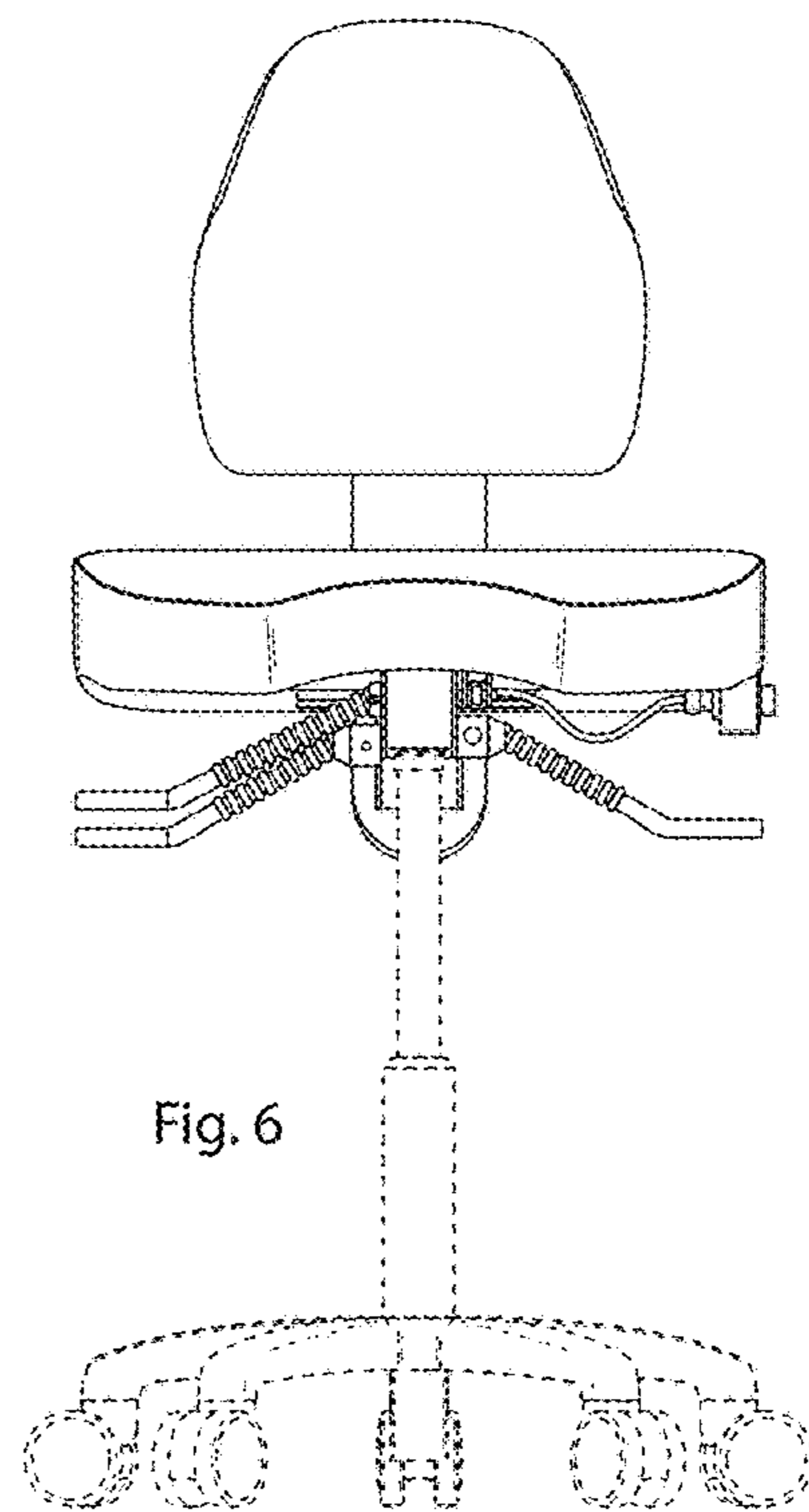
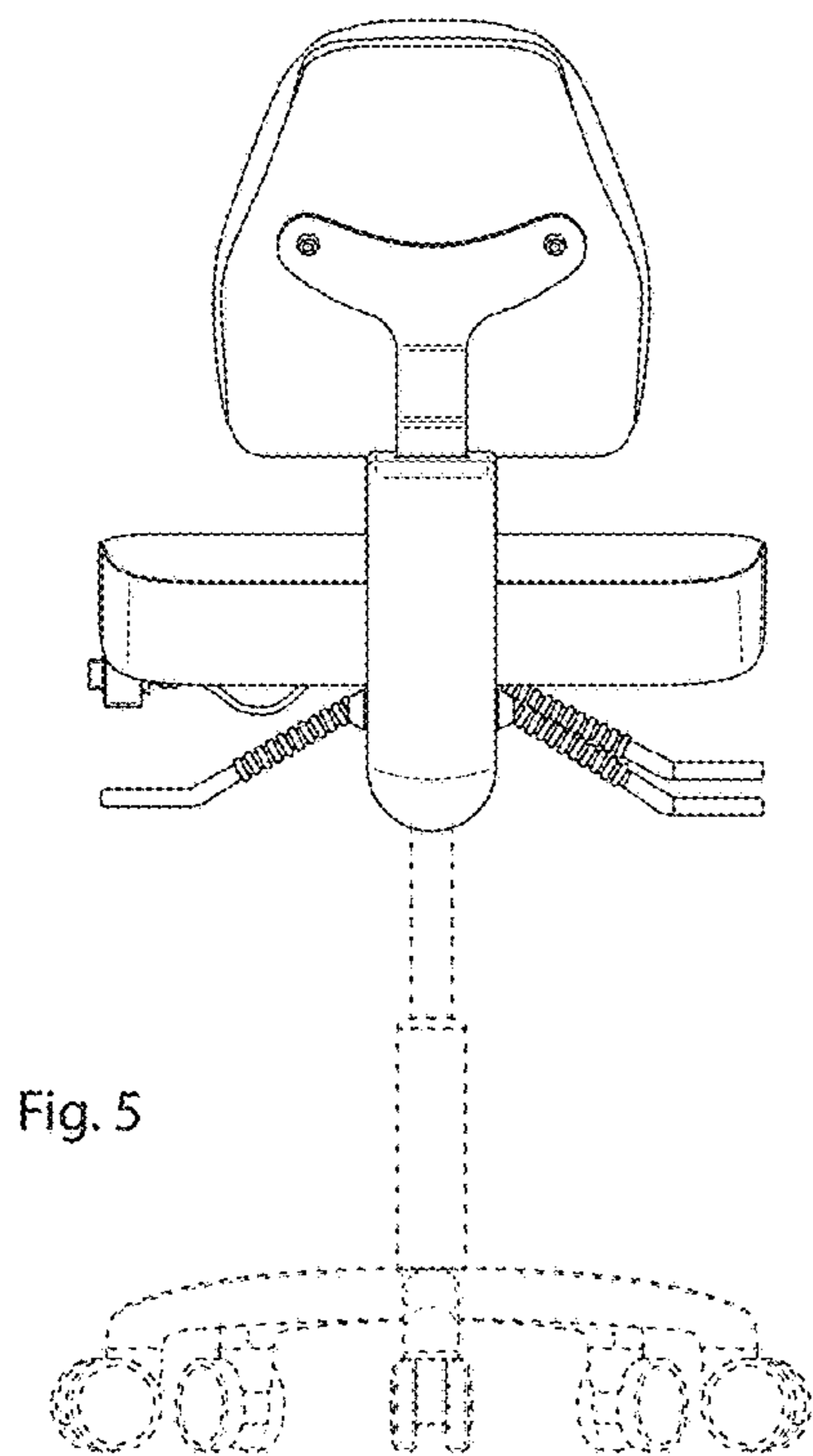
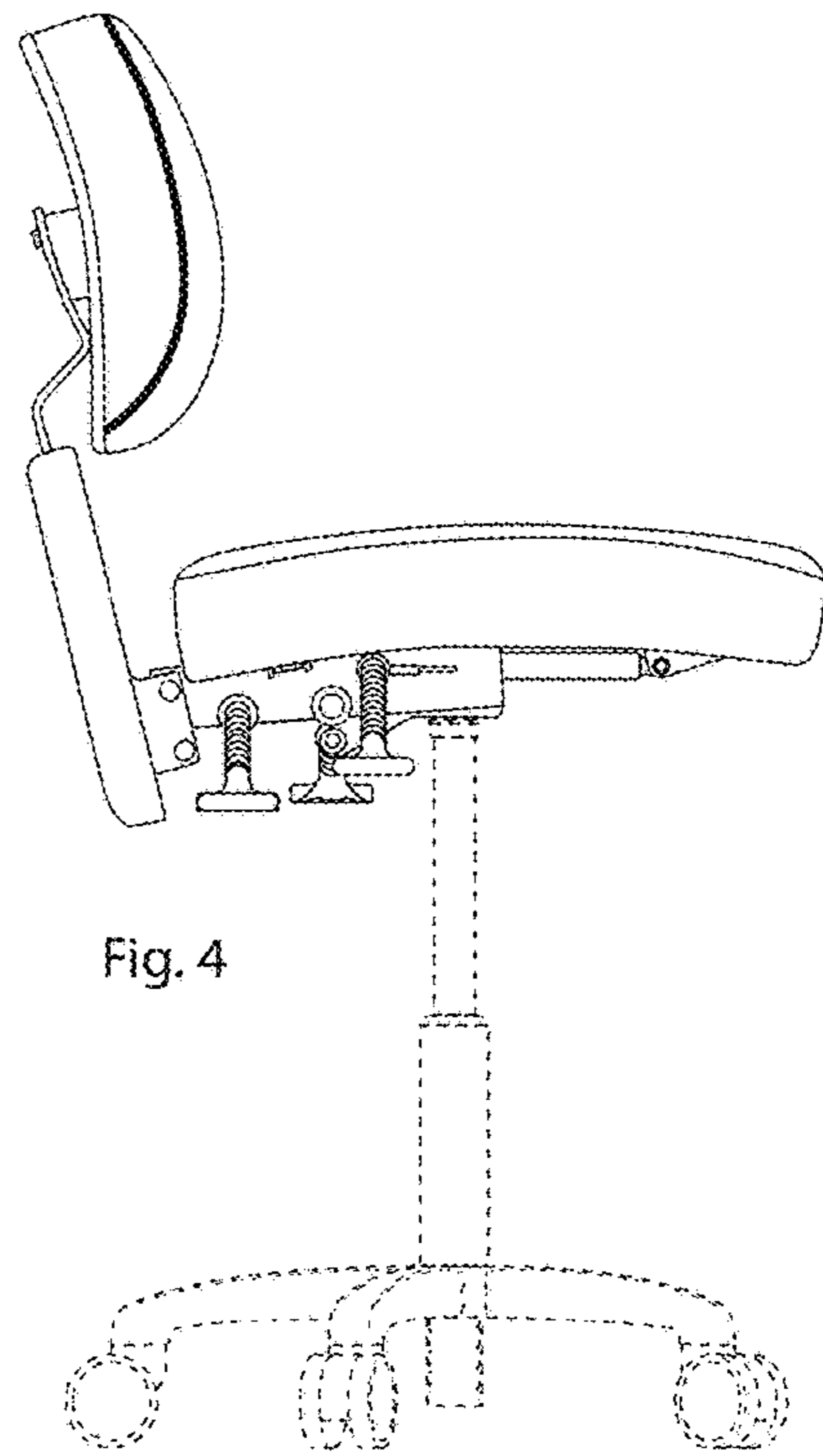
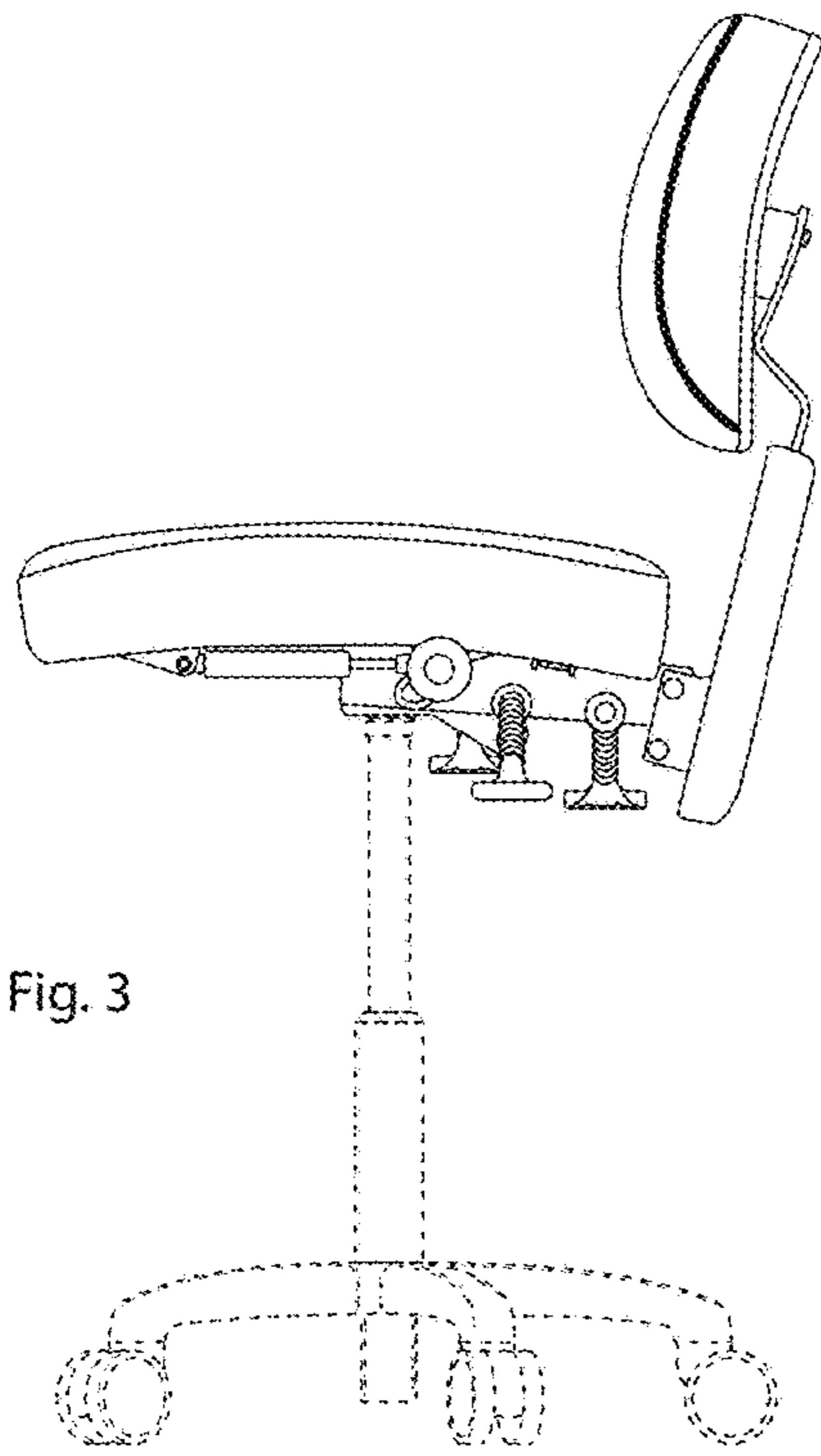


Fig. 7

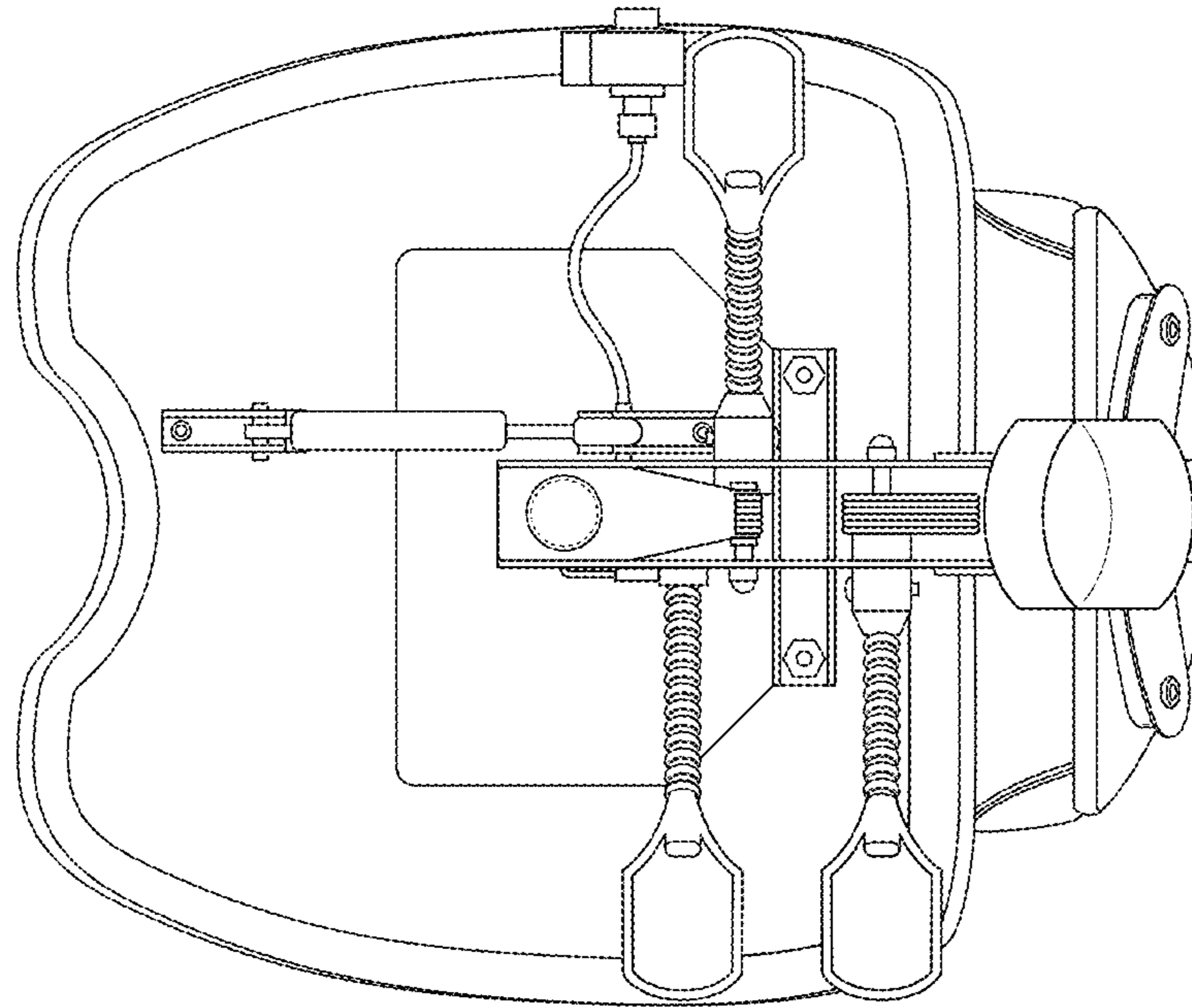
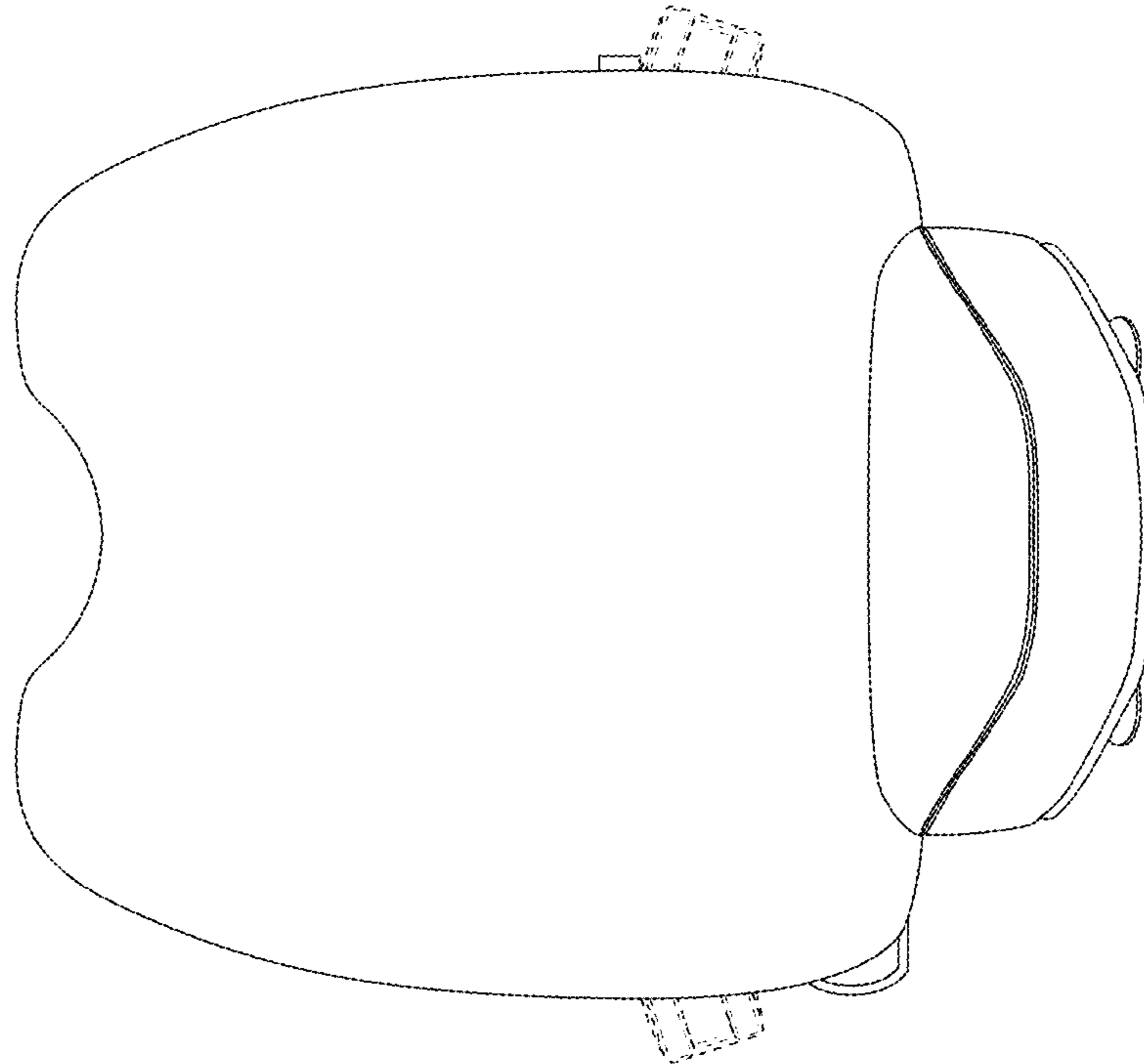


Fig. 8



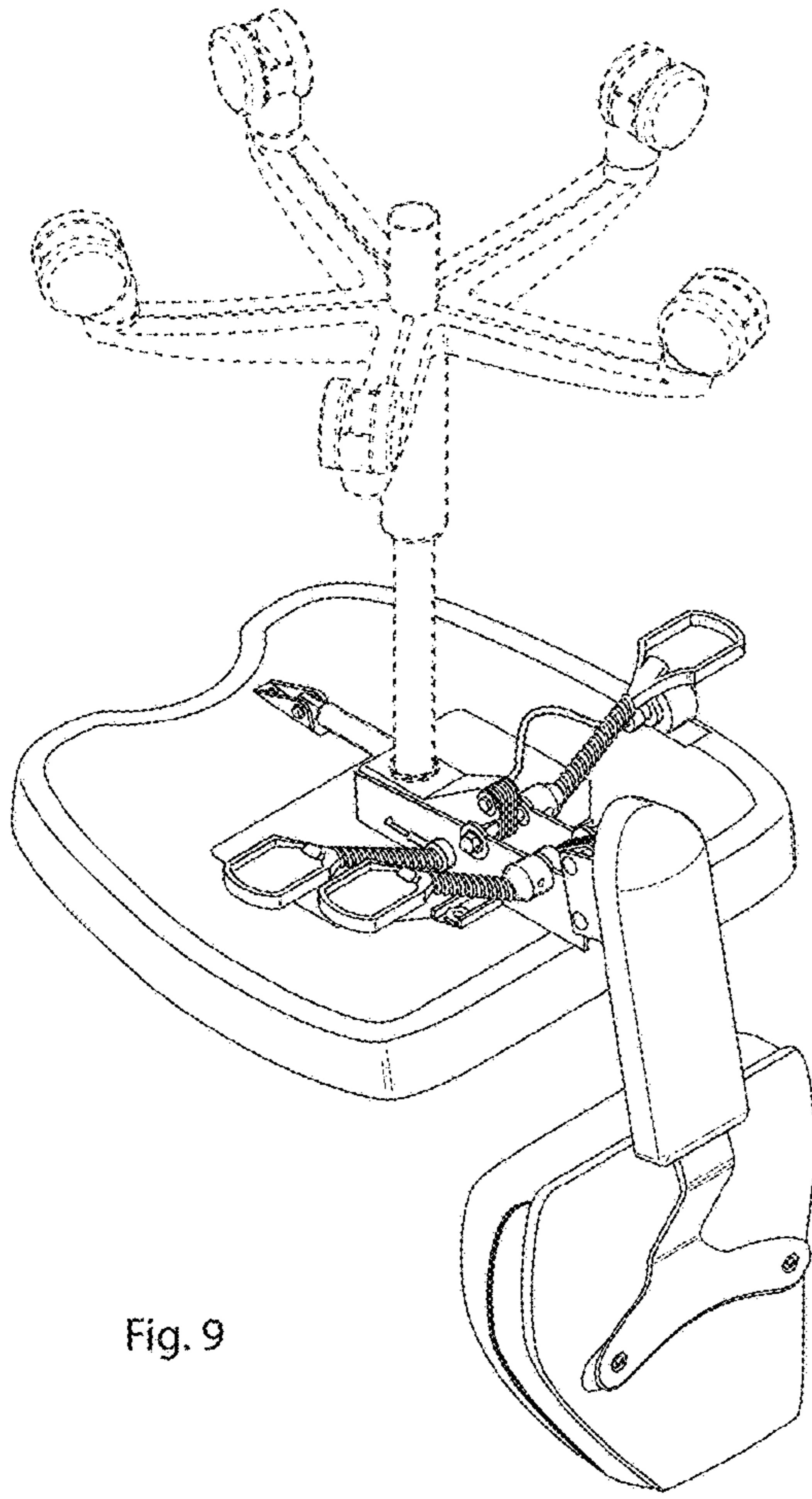


Fig. 9

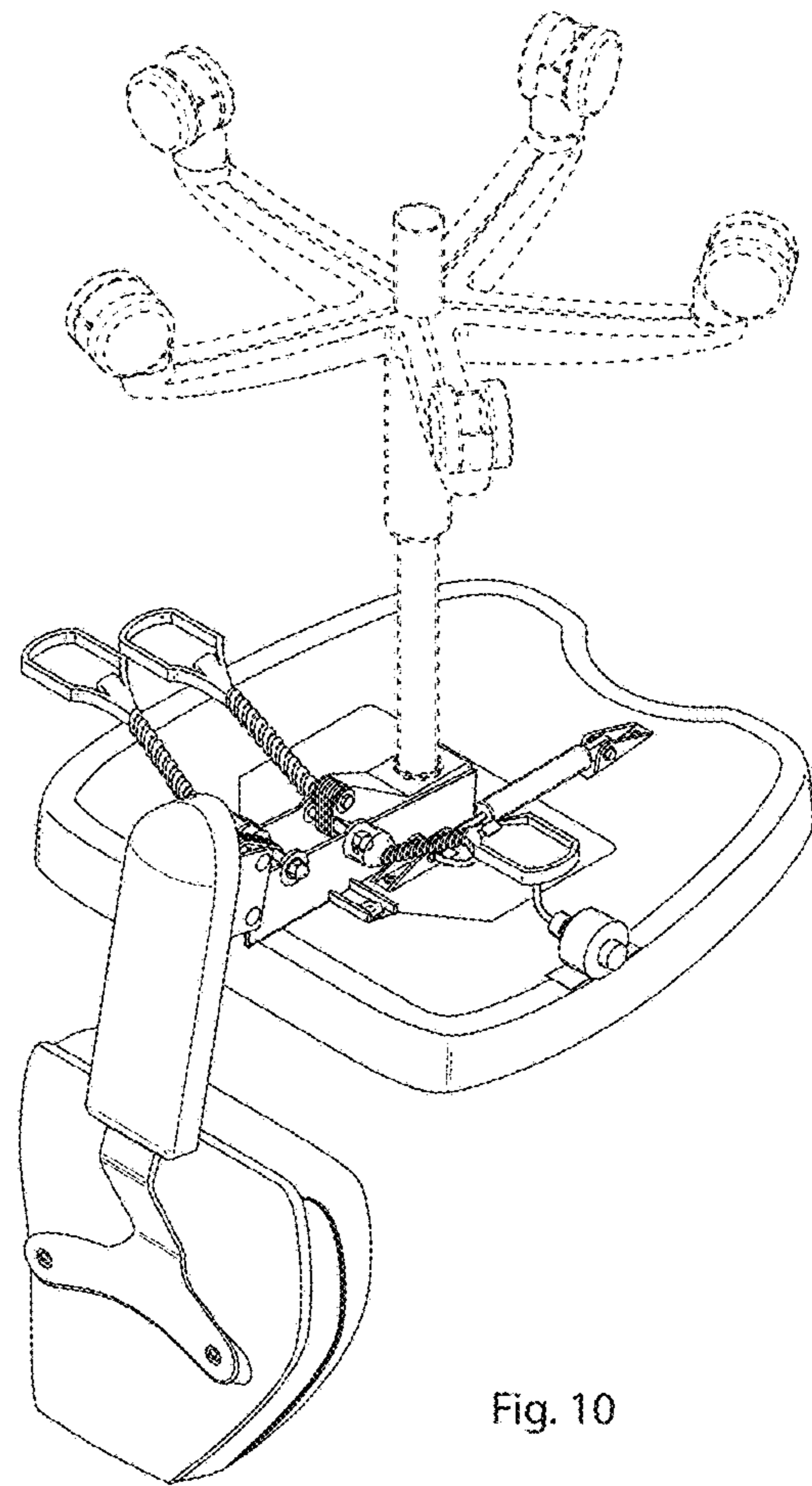


Fig. 10

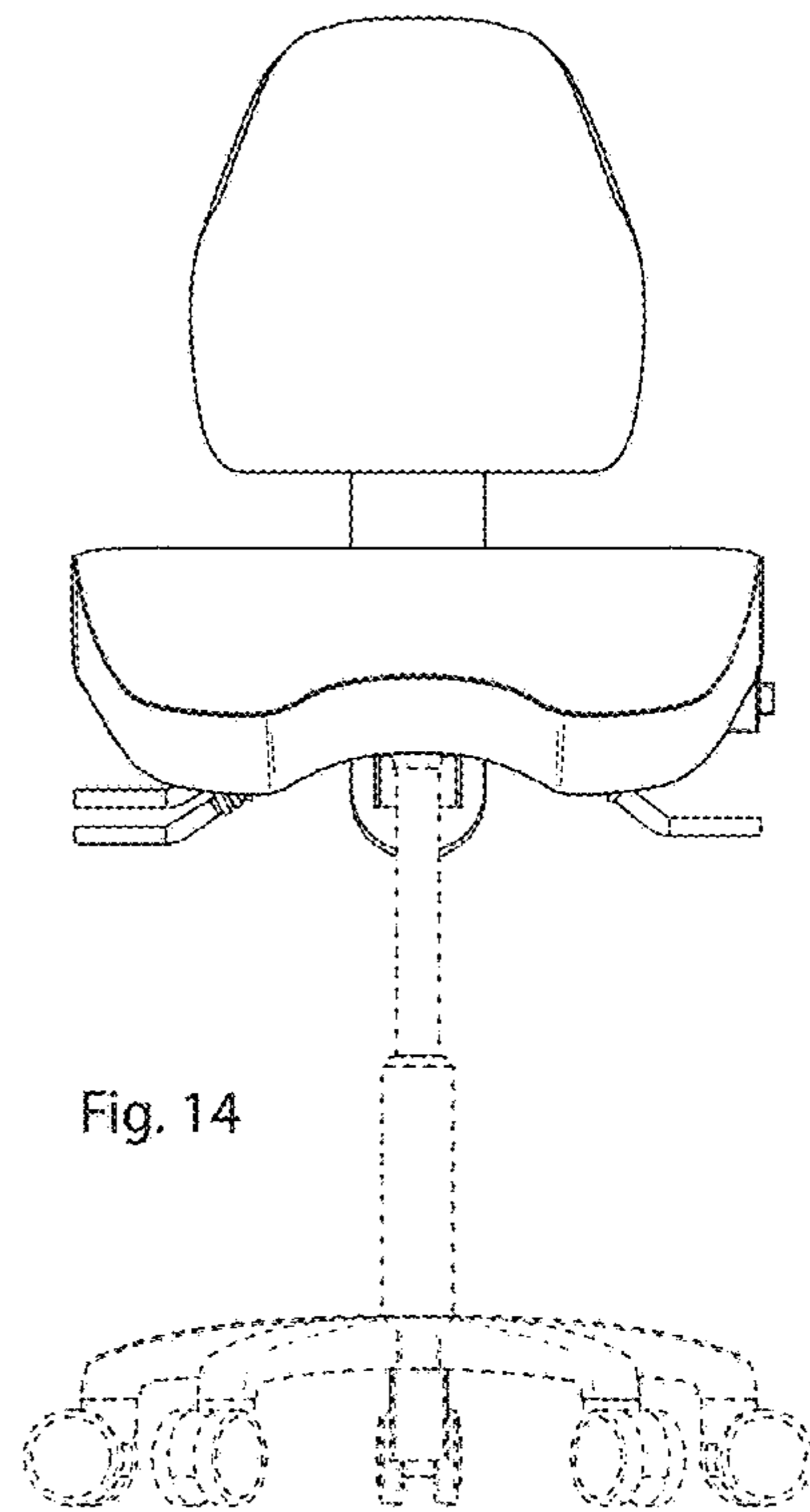
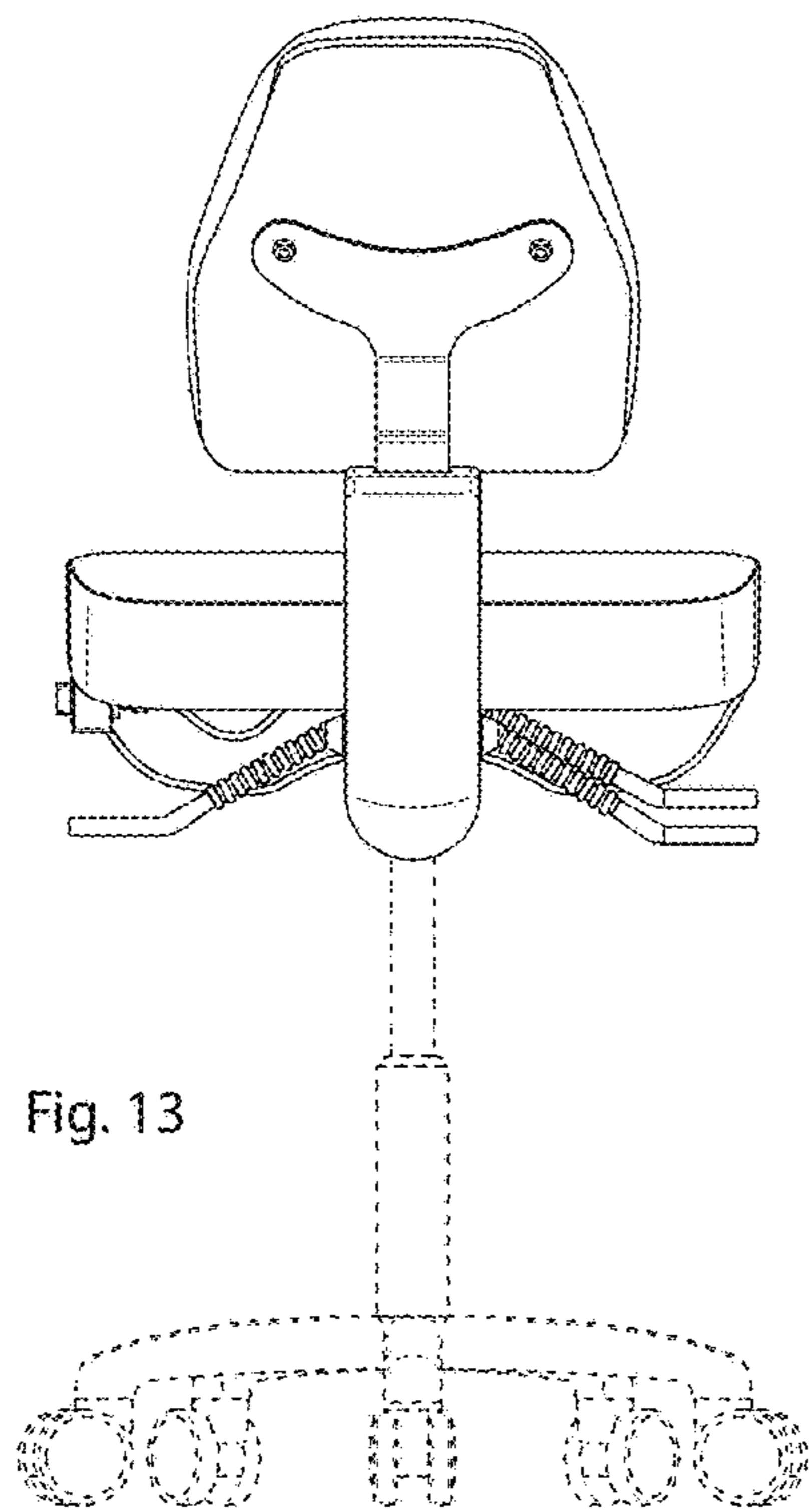
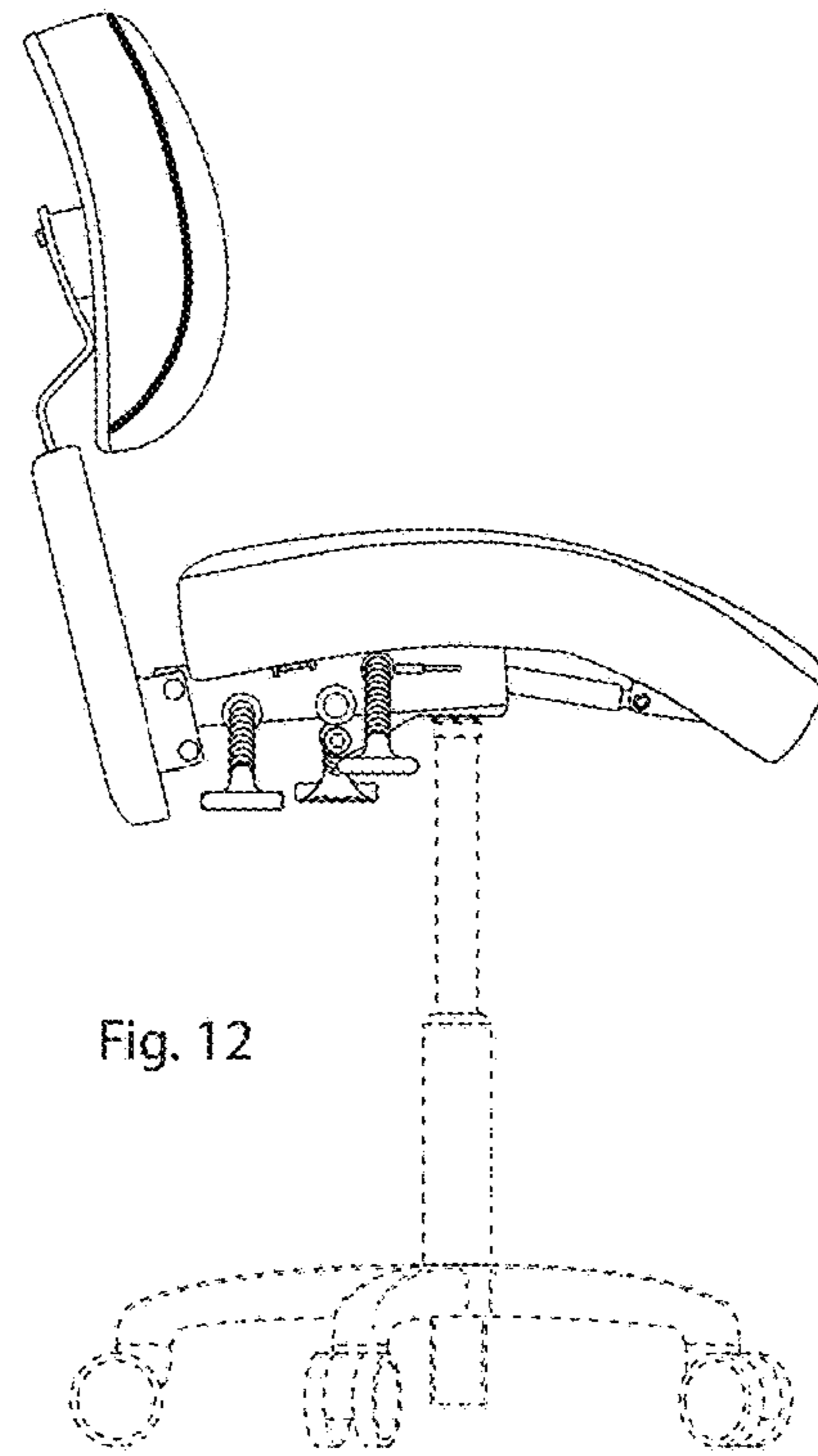
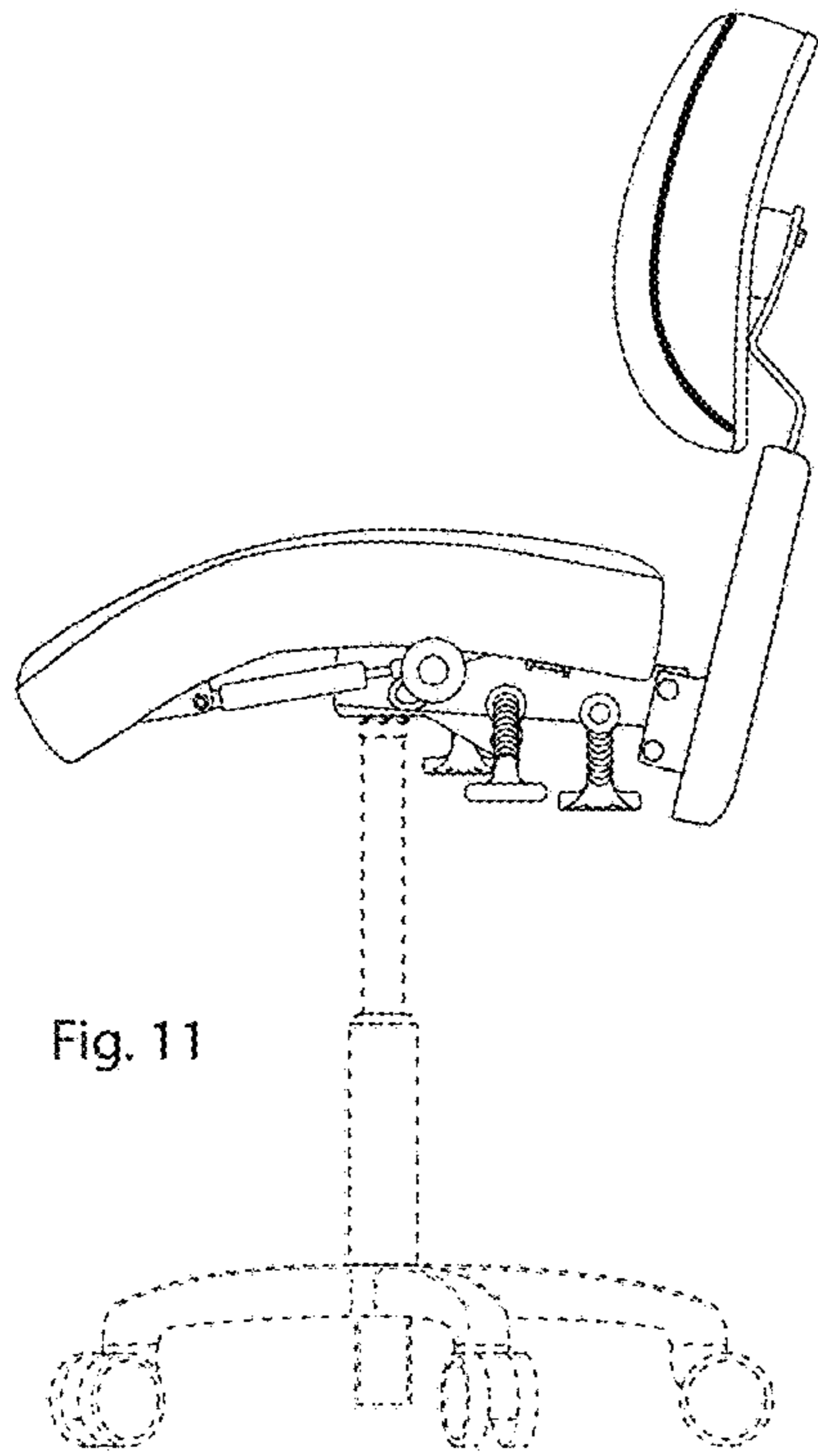


Fig. 15

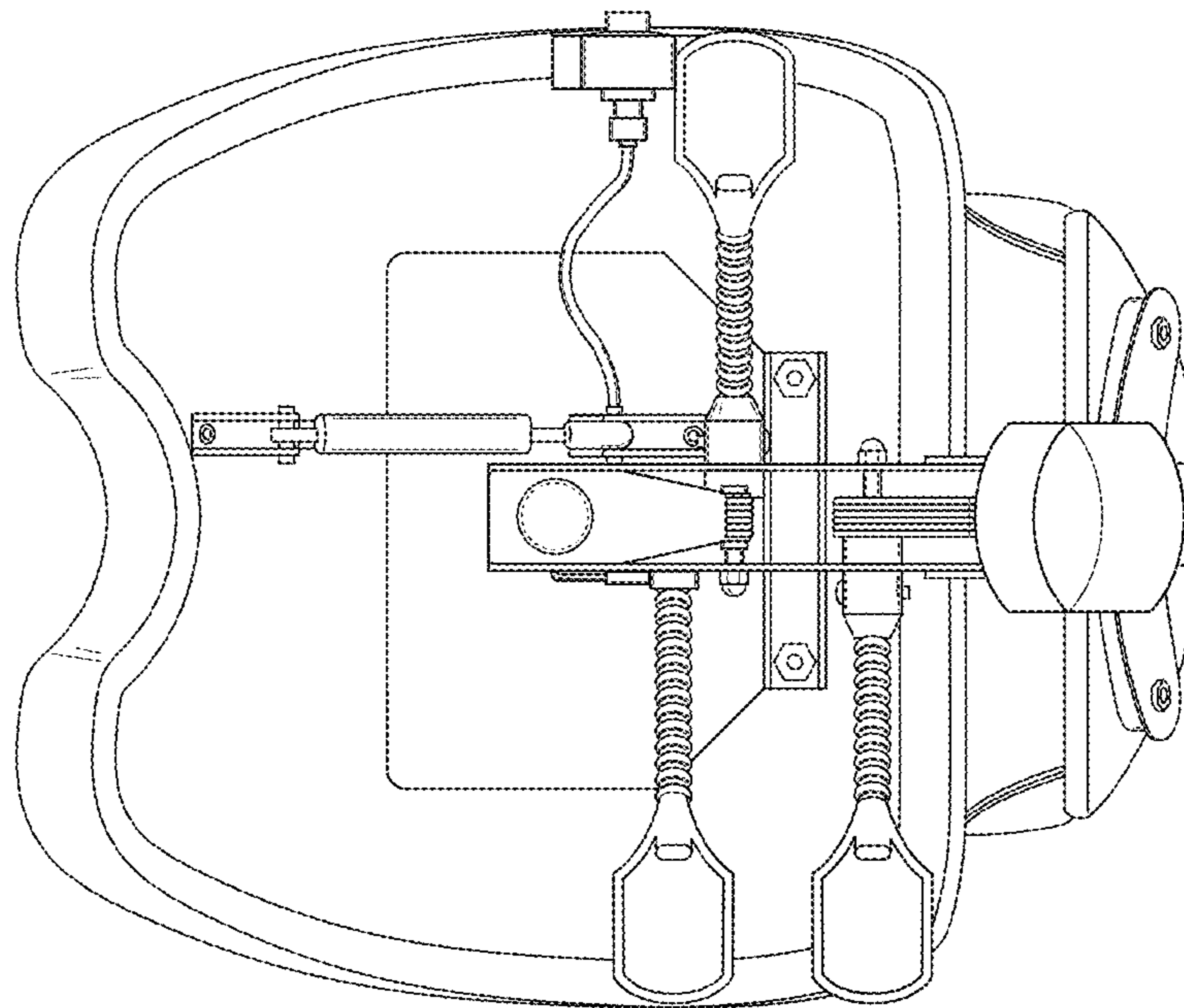
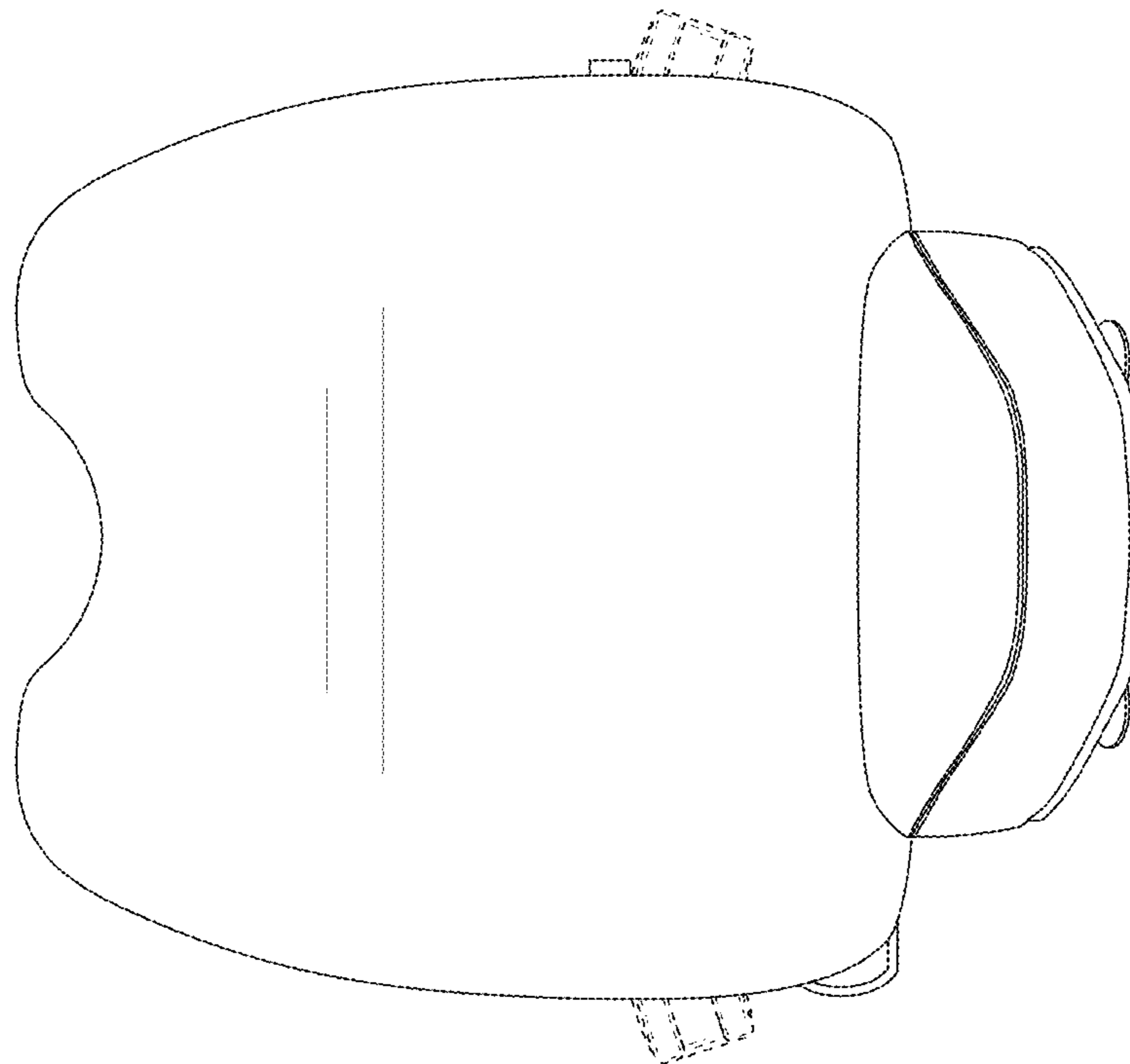


Fig. 16



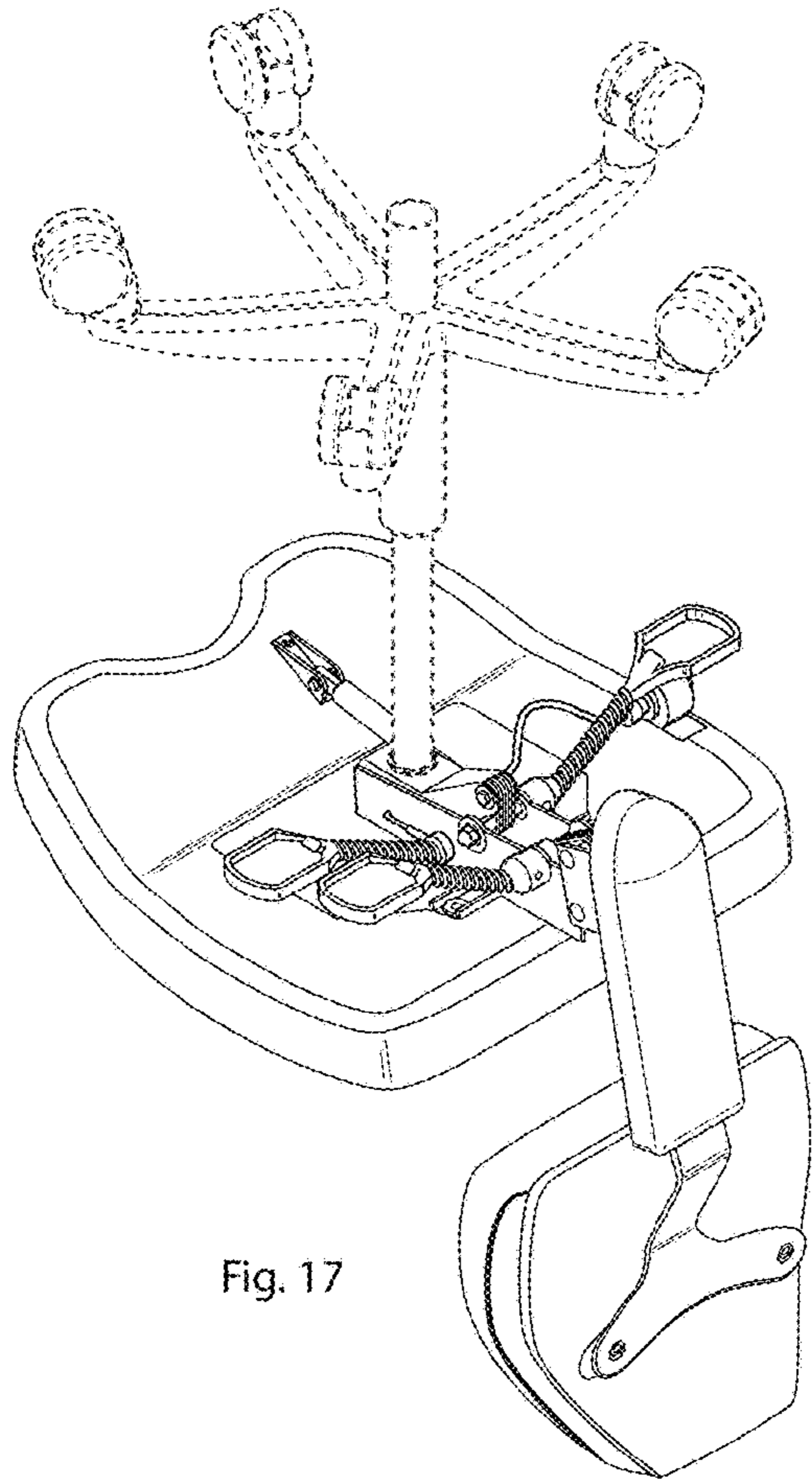


Fig. 17

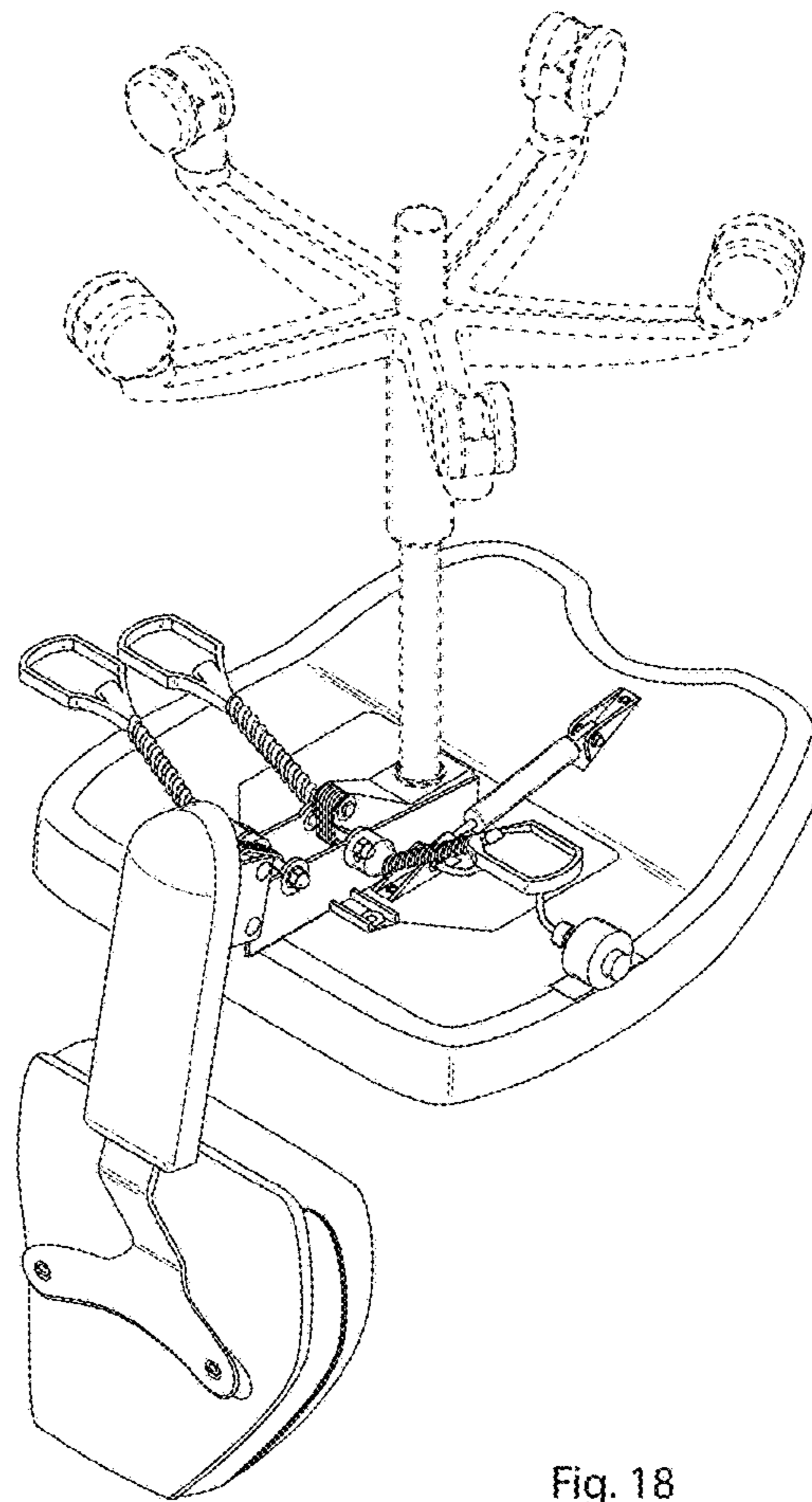


Fig. 18