



US00D777459S

(12) **United States Design Patent**  
**Parshad**

(10) **Patent No.:** **US D777,459 S**

(45) **Date of Patent:** **\*\* Jan. 31, 2017**

- (54) **WINGED PRIVACY SCREEN**
- (71) Applicant: **Inscape Corporation**, Holland Landing (CA)
- (72) Inventor: **David Parshad**, Markham (CA)
- (73) Assignee: **Inscape Corporation**, Holland Landing, Ontario (CA)
- (\*\*) Term: **14 Years**

- D455,889 S \* 4/2002 Jobin ..... D99/43
- 6,457,684 B1 \* 10/2002 McKendry ..... G09F 15/0025  
248/127
- D472,719 S \* 4/2003 Berg ..... D6/332
- D481,546 S \* 11/2003 Dowd ..... D6/332
- D492,085 S \* 6/2004 Korte ..... D99/43
- D560,072 S \* 1/2008 Willis ..... D6/332
- 7,322,626 B2 \* 1/2008 Thomas ..... B60R 21/12  
296/24.3
- D691,402 S \* 10/2013 Parker ..... D6/332
- D729,437 S \* 5/2015 Hillstrom ..... D25/103

(Continued)

- (21) Appl. No.: **29/496,789**
- (22) Filed: **Jul. 17, 2014**
- (51) **LOC (10) Cl.** ..... **06-06**
- (52) **U.S. Cl.**  
USPC ..... **D6/332**
- (58) **Field of Classification Search**  
USPC ..... D6/332, 643; D25/58  
CPC ..... E04B 2/74; E04B 2/7401; E04B 2/7405;  
E04B 2/7407; E04B 2/7416; E04B  
2/7422; E04B 2/7433; E04B  
2/7437; E04B 2/76; E04B 2/766; E04B  
2/7809; E04B 2002/7487; E04B 2/7438;  
E04B 2/7427; A47B 2220/02; A47G 5/00  
See application file for complete search history.

**OTHER PUBLICATIONS**

Inscape has done a great job . . . (on-line), no date available. Retrieved from Internet Aug. 5, 2016, URL: <https://www.pinterest.com/pin/374291419008046089/> (1 page).\*

*Primary Examiner* — Vy Koenig  
*Assistant Examiner* — Kimberly Barnes  
(74) *Attorney, Agent, or Firm* — Riches, McKenzie & Herbert LLP

(57) **CLAIM**

I claim the ornamental design for a winged privacy screen, as shown.

**DESCRIPTION**

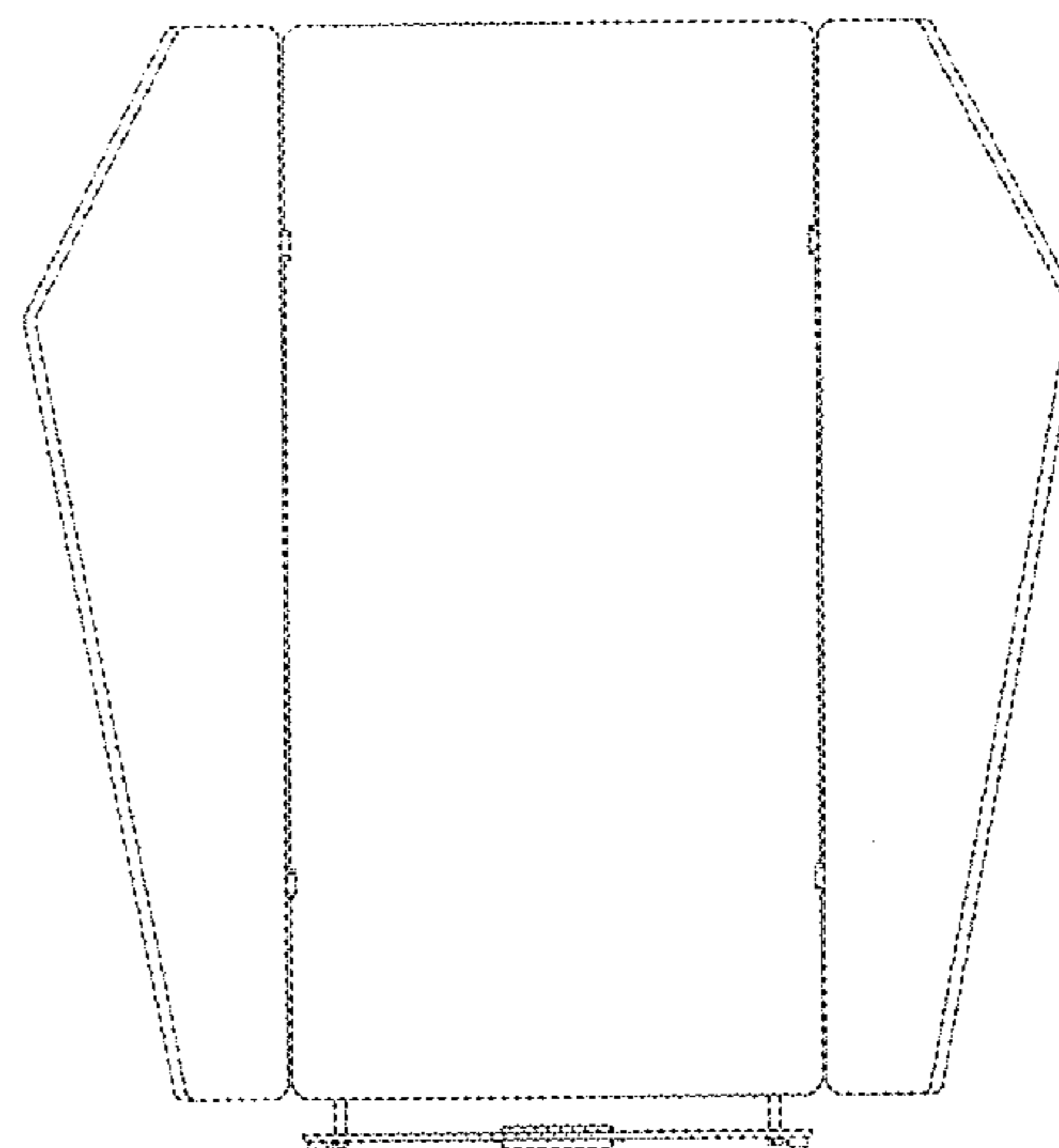
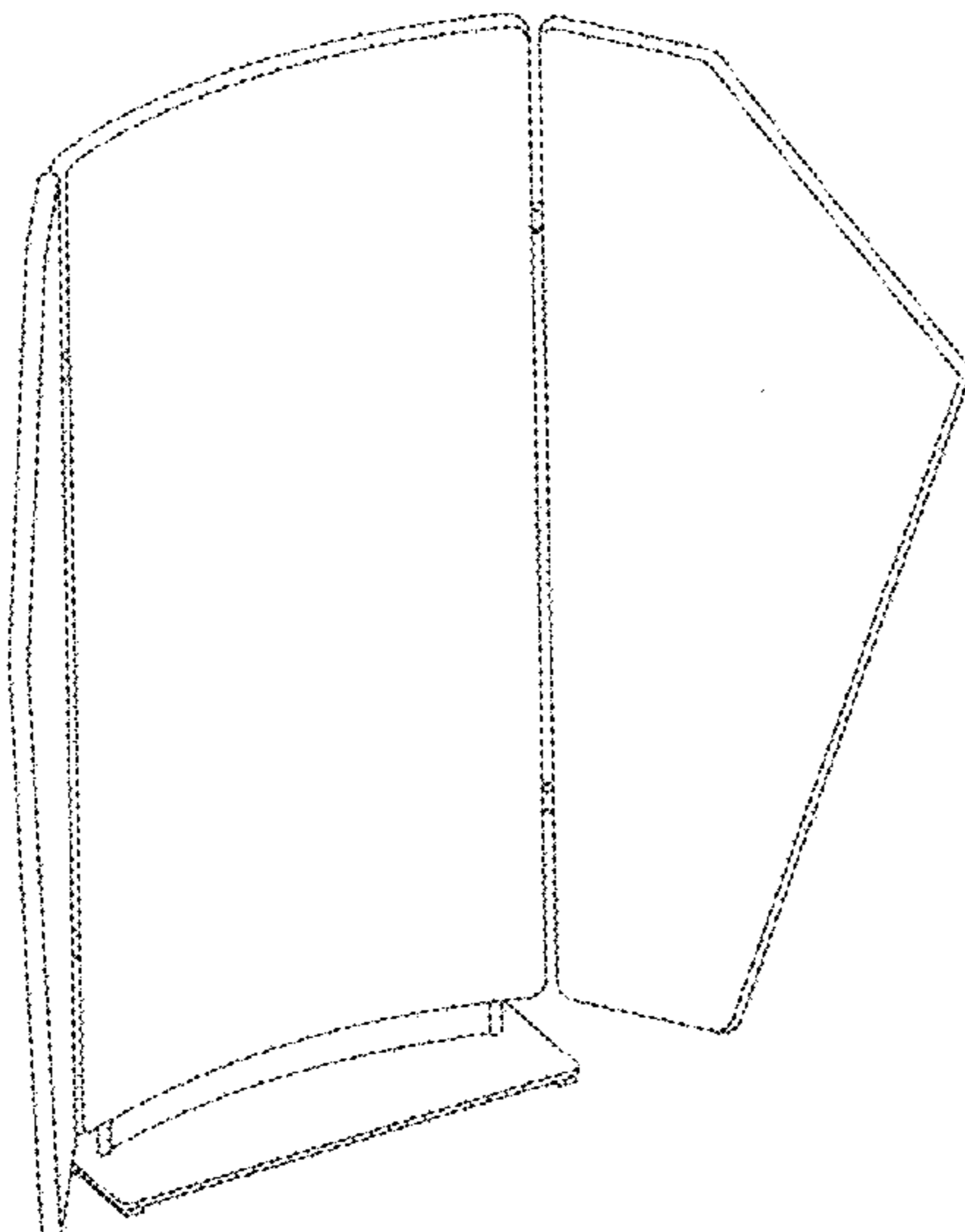
FIG. 1 is a perspective view of the design;  
FIG. 2 is a front elevation view of the design of FIG. 1;  
FIG. 3 is a back elevation view of the design of FIG. 1;  
FIG. 4 is a top plan view of the design of FIG. 1;  
FIG. 5 is a bottom plan view of the design of FIG. 1;  
FIG. 6 is a left side elevation view of the design of FIG. 1;  
and,  
FIG. 7 is a right side elevation view of the design of FIG. 1.

**1 Claim, 7 Drawing Sheets**

(56) **References Cited**

**U.S. PATENT DOCUMENTS**

- D203,121 S \* 12/1965 Barecki ..... 108/60
- D210,464 S \* 3/1968 Howlett ..... D25/58
- 3,538,976 A \* 11/1970 Jones ..... E04B 2/7427  
108/60
- D261,701 S \* 11/1981 Ovitz, III ..... D6/678
- D352,140 S \* 11/1994 Easton ..... D23/406
- D385,543 S \* 10/1997 Phirippidis ..... D14/239
- D405,976 S \* 2/1999 Beall ..... D20/10



(56)

**References Cited**

U.S. PATENT DOCUMENTS

2006/0278596 A1\* 12/2006 Parshad ..... A47F 5/005  
211/184  
2013/0025801 A1\* 1/2013 Goranson ..... A47G 5/00  
160/135  
2016/0024787 A1\* 1/2016 Parshad ..... A47G 5/00  
160/352

\* cited by examiner

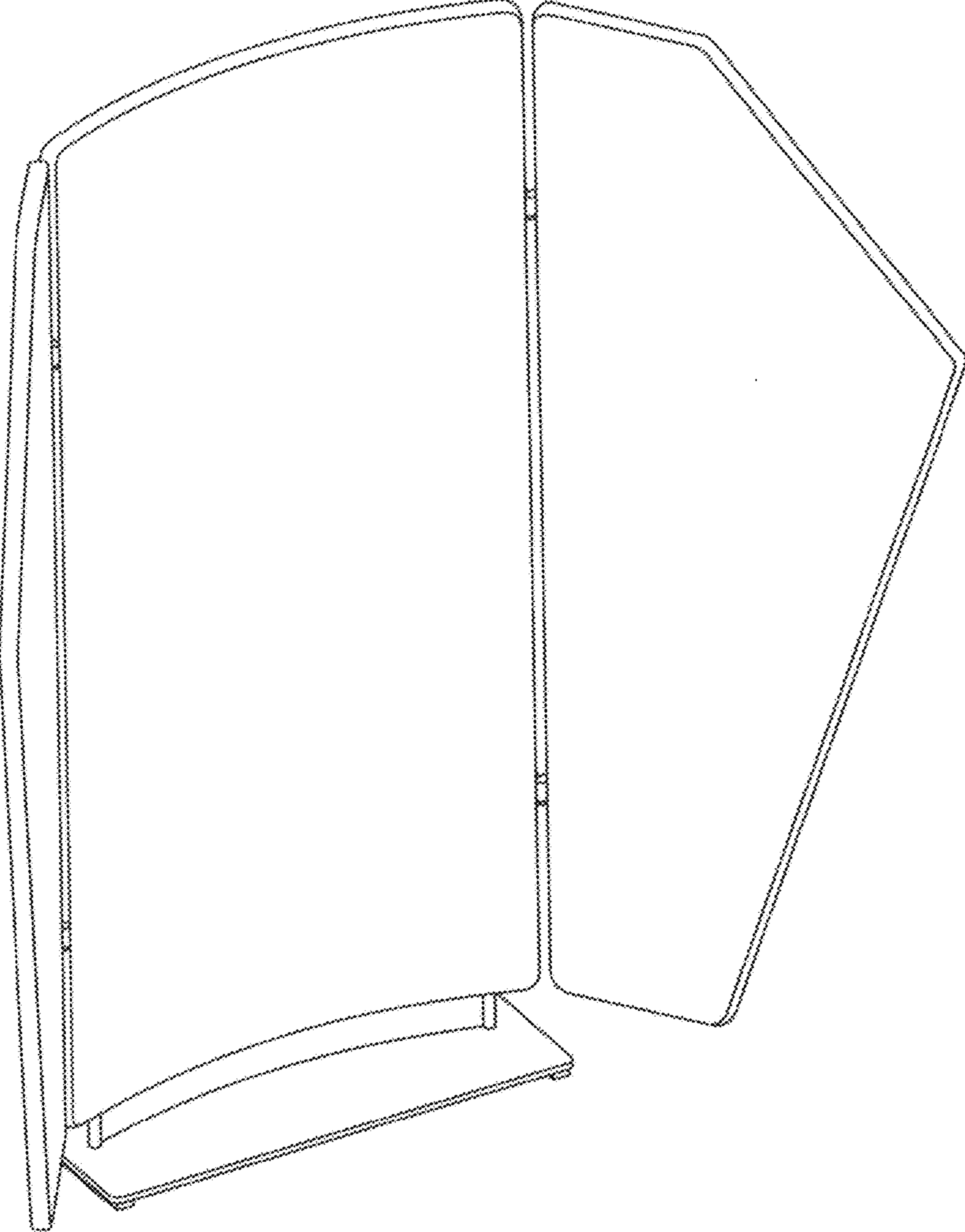


FIG. 1

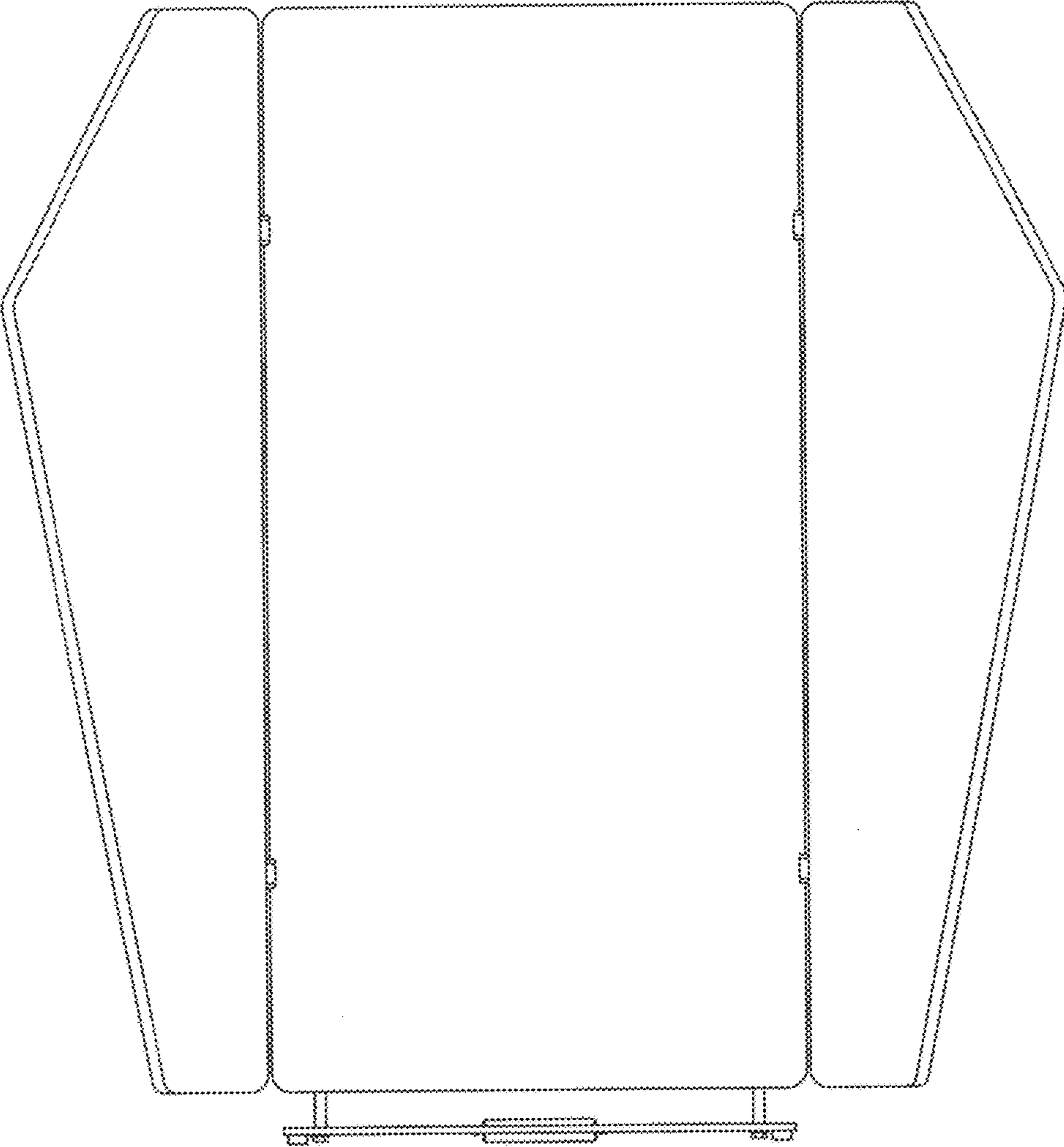


FIG. 2

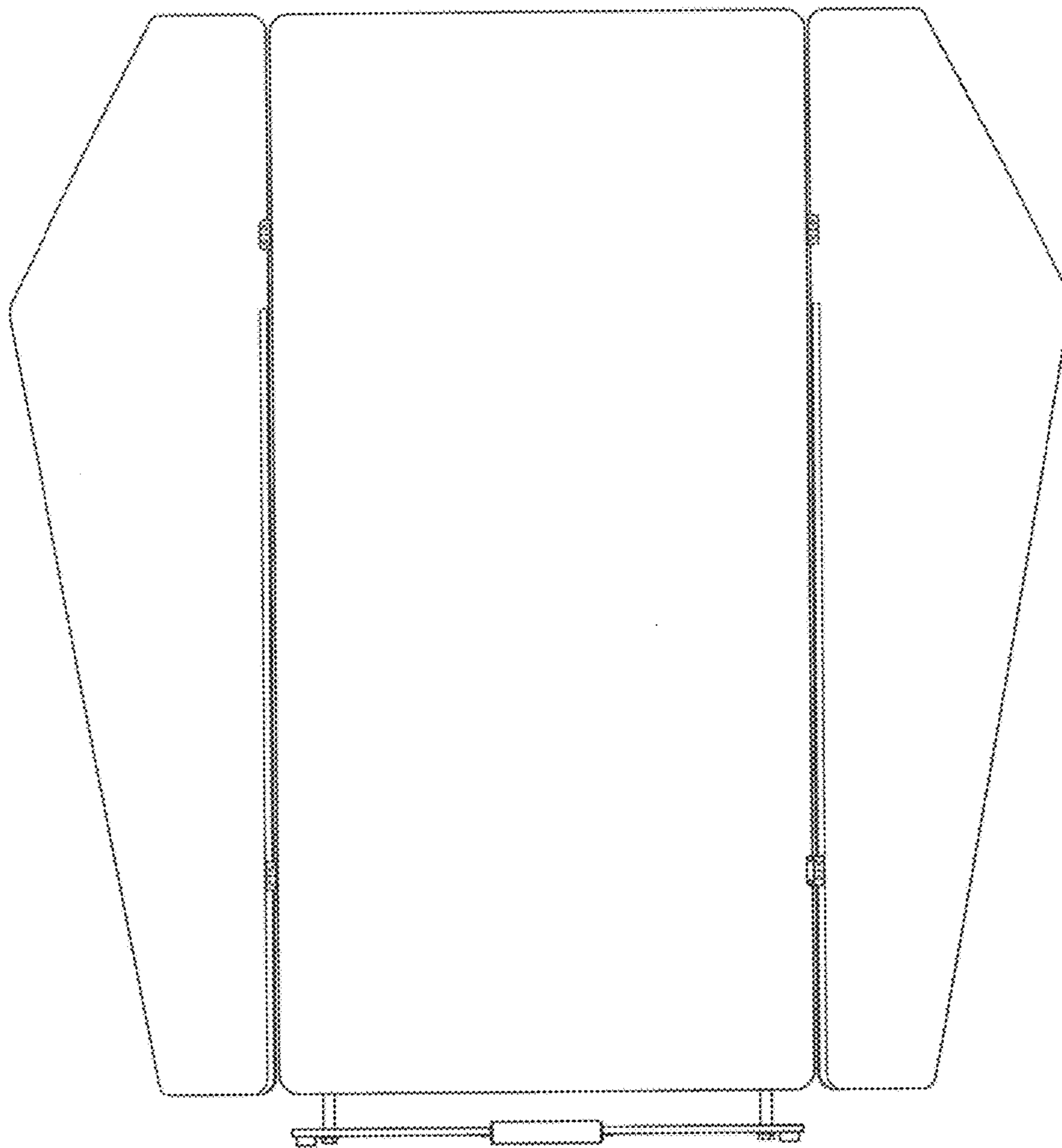


FIG. 3

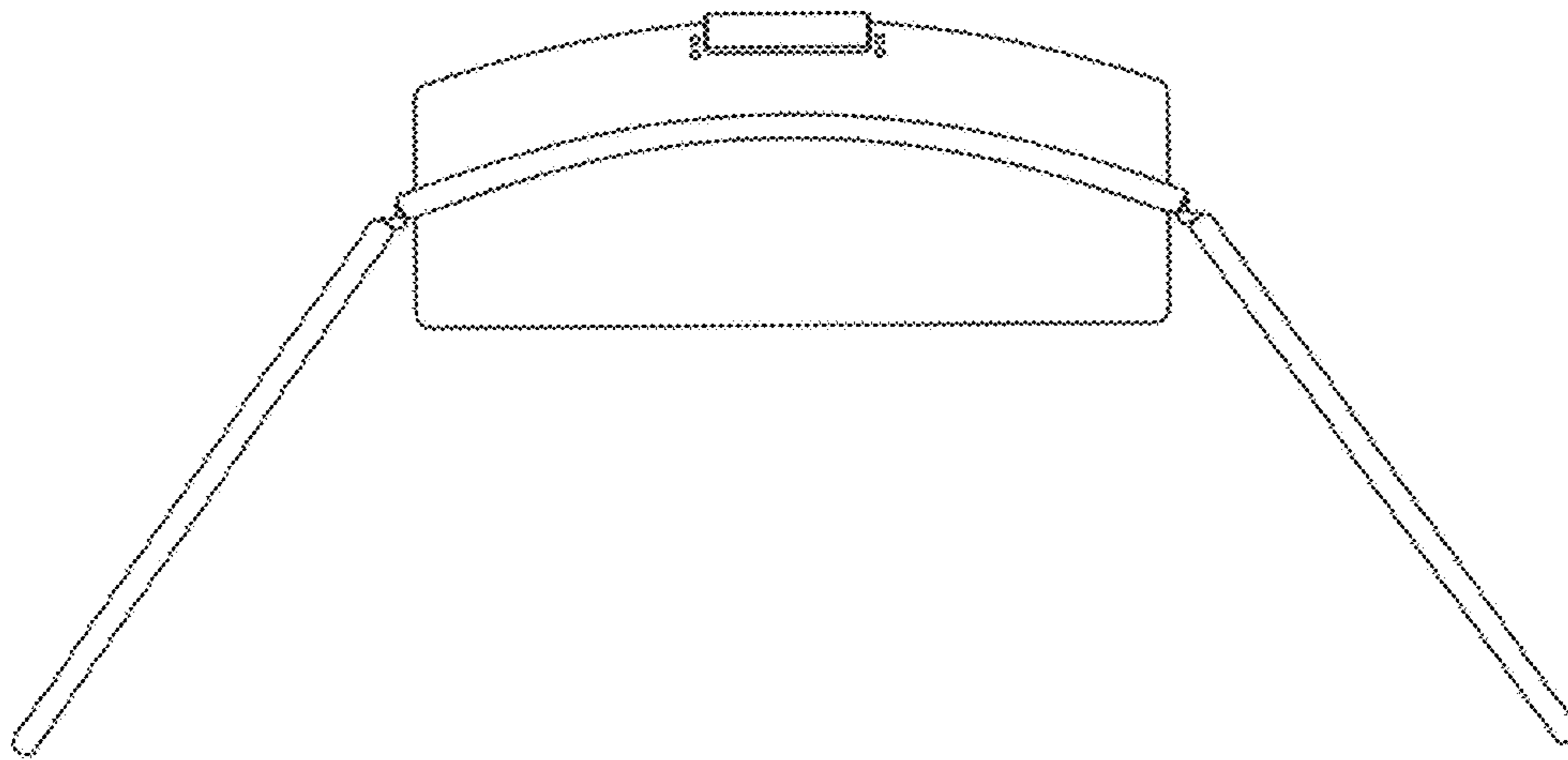


FIG. 4

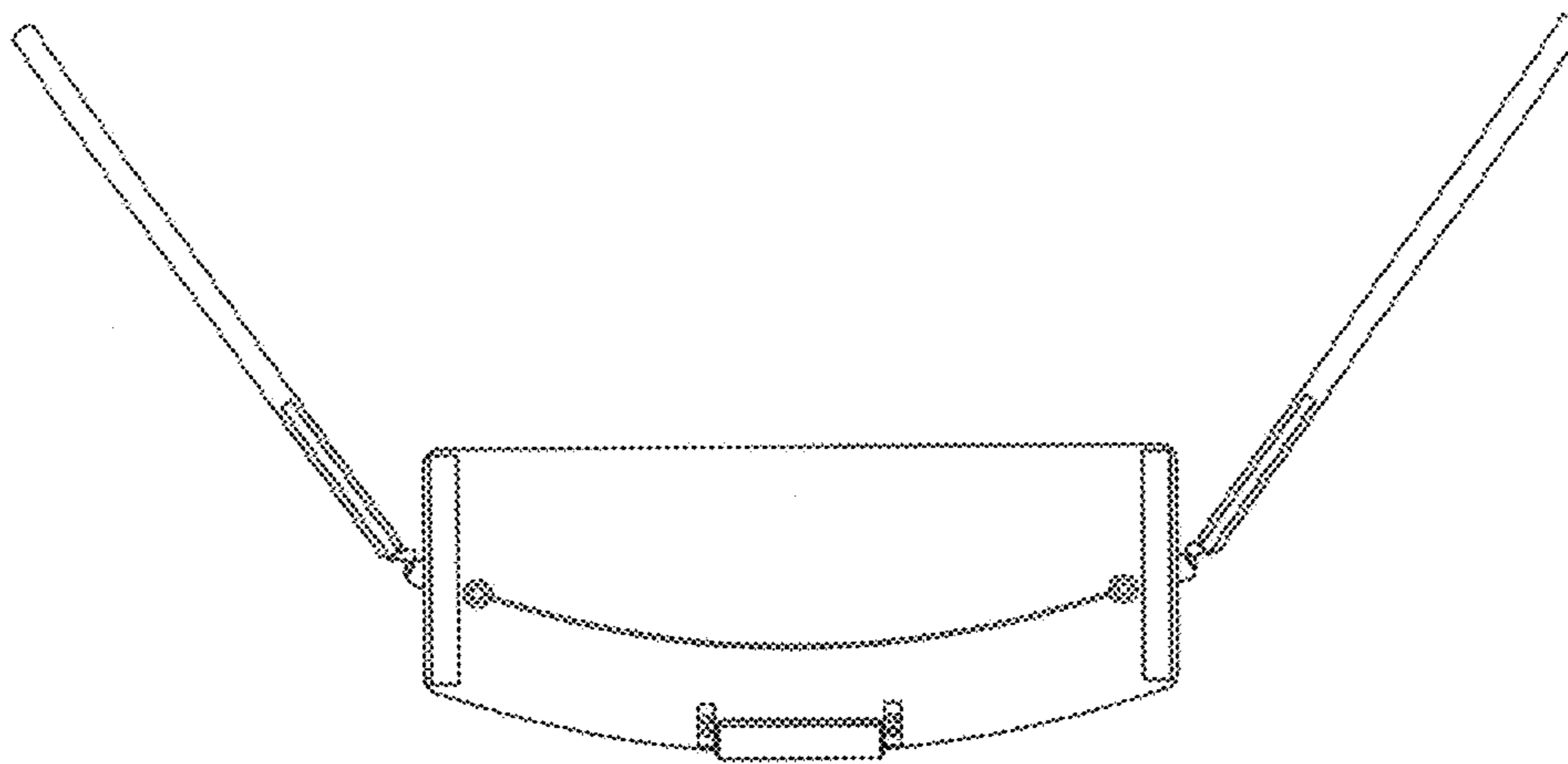


FIG. 5

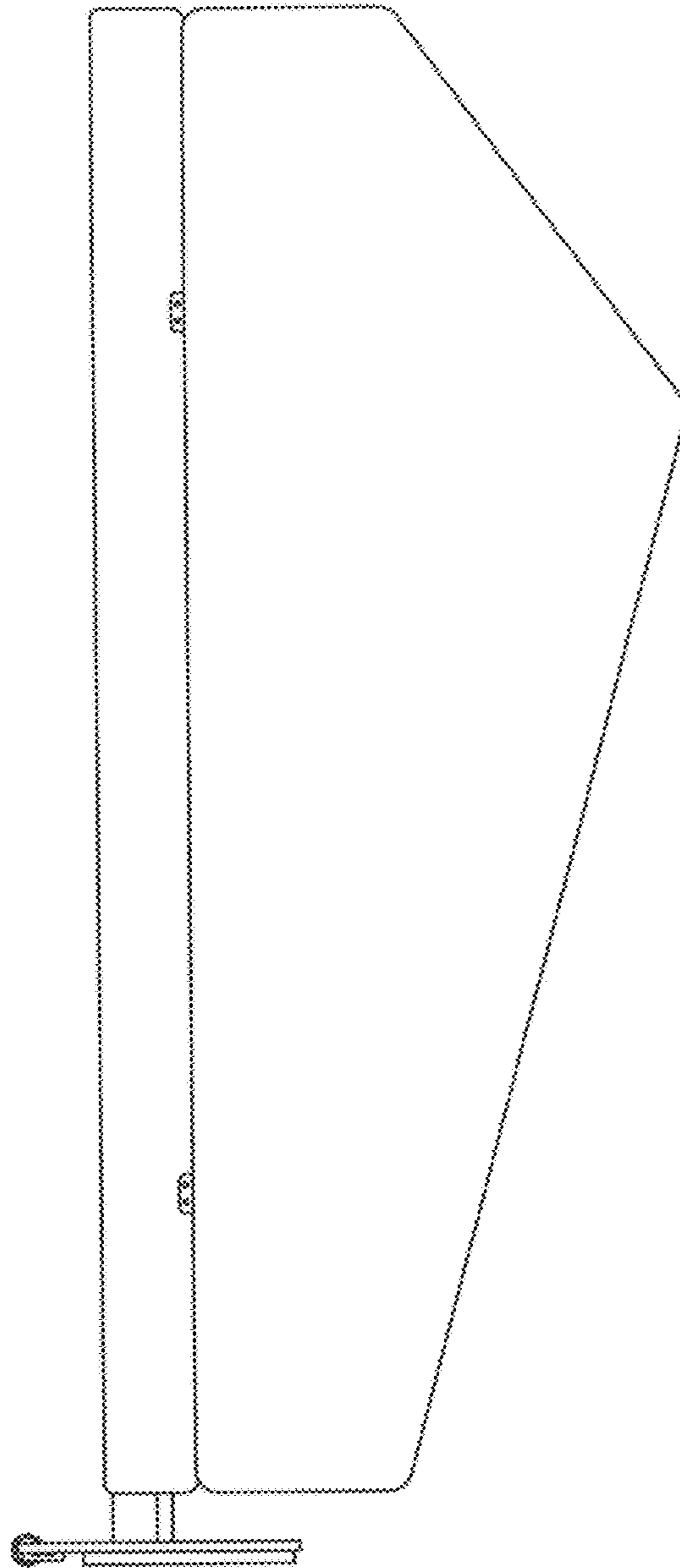


FIG. 6



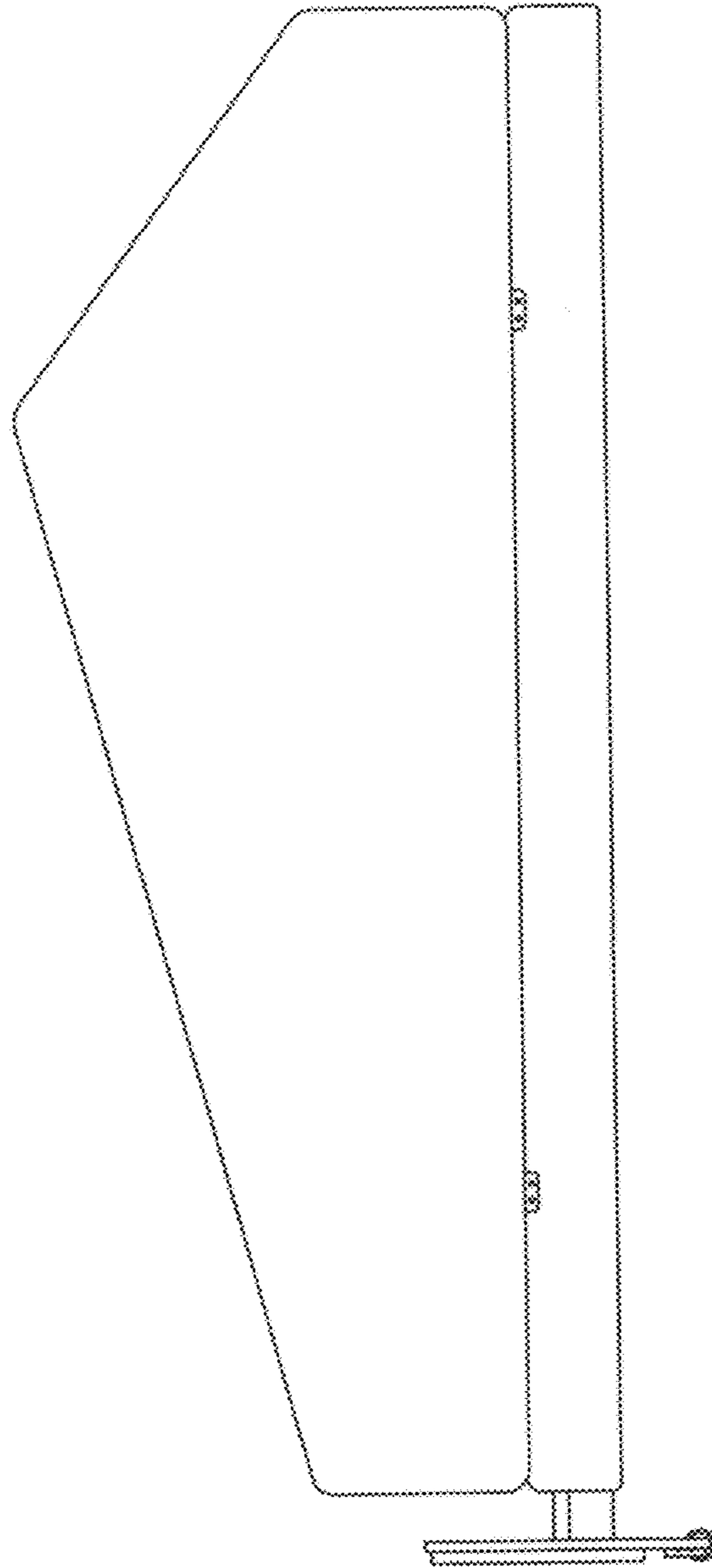


FIG. 7