



US00D777458S

(12) **United States Design Patent** (10) **Patent No.:** **US D777,458 S**
Sandgrund (45) **Date of Patent:** **** Jan. 31, 2017**

(54) **SHELF**
(71) Applicant: **David Sandgrund**, New York, NY (US)
(72) Inventor: **David Sandgrund**, New York, NY (US)
(**) Term: **15 Years**
(21) Appl. No.: **29/553,301**

D257,195 S 10/1980 Swett et al.
D289,353 S 4/1987 Davis et al.
D301,407 S 6/1989 Boeri
D313,712 S * 1/1991 Rupprechter D6/706
5,050,744 A 9/1991 Floyd
D371,870 S 7/1996 Sylvester
5,865,325 A 2/1999 Comstock
D423,840 S * 5/2000 Carville D6/705.1
6,189,706 B1 2/2001 Akins
(Continued)

(22) Filed: **Jan. 29, 2016**
(51) **LOC (10) Cl.** **06-08**
(52) **U.S. Cl.**
USPC **D6/327; D6/705.1**

FOREIGN PATENT DOCUMENTS

EM 02449587-0001 4/2014
FR 616 335 A 1/1927
FR 2 182 318 A5 12/1973

(58) **Field of Classification Search**
USPC D6/315-328, 553, 567, 569, 570, 572,
D6/574, 702, 703.1, 705, 705.1, 705.2,
D6/705.5, 706, 707, 707.2; 223/85-98;
211/10, 13.1, 16, 45, 48, 49.1, 71.01,
211/85.11, 85.3, 87.01, 90.02, 94.01,
211/94.02, 94.03, 117; 108/28, 59, 64, 91,
108/106, 107, 144.11, 147.11, 147.17;
D8/380, 381
CPC A47G 25/28; A47G 25/746; A47G 25/26;
A47G 25/0664; A47F 7/163; A47F
5/0846; A47F 5/0892; A47F
5/0006; A47F 5/0018; A47F 7/19; A47F
7/24; A47F 5/0093; A47F 7/281; A47F
5/0043; A47F 1/04; A47F 7/0007; A47F
5/06; A47B 81/00; A47B 57/42; A47B
96/027; A47B 87/02; A47B 81/007; A47B
57/30; A47B 96/02; A47B 47/021
See application file for complete search history.

OTHER PUBLICATIONS

International Searching Authority (PCT), International Search Report, Sep. 19, 2014.

(Continued)

Primary Examiner — Derrick Holland
Assistant Examiner — Lauren Calve
(74) *Attorney, Agent, or Firm* — Ladas & Parry LLP

(57) **CLAIM**

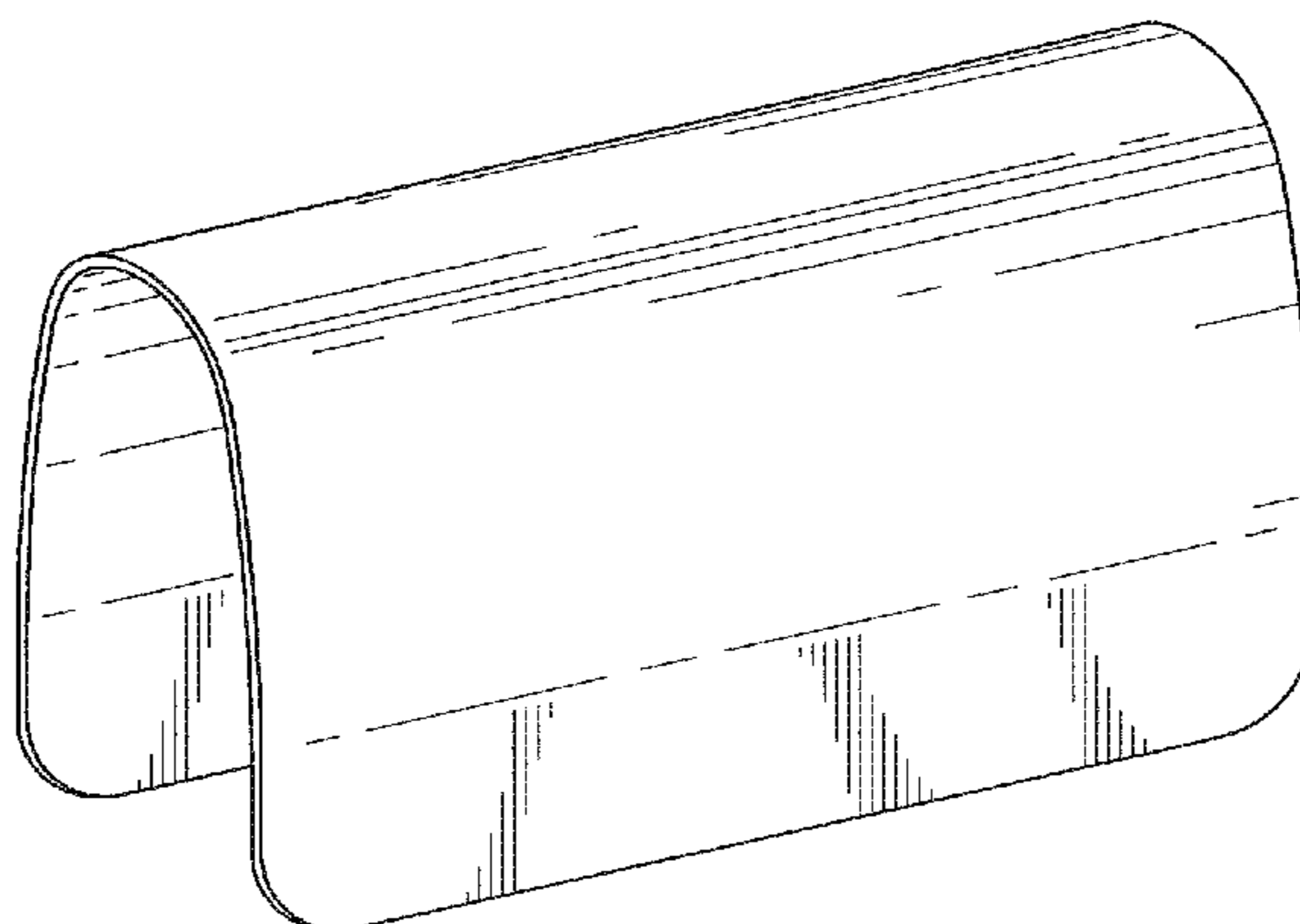
I claim the ornamental design for a shelf, as shown and described.

DESCRIPTION

FIG. 1 is a perspective view showing my new design for a shelf.
FIG. 2 is a front view thereof.
FIG. 3 is a right side view thereof; the left side view being a mirror image.
FIG. 4 is a top view thereof.
FIG. 5 is a bottom view thereof; and,
FIG. 6 is a second perspective view thereof, shown in environmental use.
The broken lines represent unclaimed subject matter and form no part of the claimed design.

(56) **References Cited**
U.S. PATENT DOCUMENTS
378,201 A 2/1888 Jacoby
1,446,036 A 2/1923 Dodd
1,554,137 A 9/1925 Slifkin
D157,460 S 2/1950 Ziolkowski et al.
2,879,087 A * 3/1959 Haglund E04G 7/14
211/182
2,937,759 A 5/1960 Smith
D242,513 S * 11/1976 Schweitzer D6/572

1 Claim, 4 Drawing Sheets



(56)

References Cited

U.S. PATENT DOCUMENTS

6,206,207 B1 * 3/2001 Kelley B68C 1/002
211/85.11
6,389,944 B1 * 5/2002 Davidson B26D 3/30
30/114
6,591,996 B1 7/2003 Wu
D503,046 S 3/2005 Caiazzo
6,955,270 B2 10/2005 Lay et al.
D587,022 S 2/2009 Goodman et al.
8,141,720 B2 3/2012 Kellogg et al.
D740,038 S * 10/2015 Sandgrund D6/327
D765,997 S * 9/2016 Sandgrund D6/327
2002/0134742 A1 9/2002 Huang
2006/0060549 A1 * 3/2006 Robertson A47F 7/283
211/75
2006/0102570 A1 * 5/2006 Robertson A47B 96/02
211/75
2007/0228242 A1 * 10/2007 Martin A47B 73/004
248/317

2007/0241072 A1 10/2007 Bryant et al.
2008/0121146 A1 5/2008 Burns et al.
2008/0283478 A1 * 11/2008 Amirault A47K 10/04
211/13.1
2009/0194495 A1 8/2009 Kellogg et al.
2013/0026121 A1 * 1/2013 Thompson A47J 47/16
211/85.18
2013/0048798 A1 * 2/2013 Bock F16L 3/1091
248/67.5
2013/0056589 A1 * 3/2013 Lampe F01N 13/1805
248/58
2014/0284291 A1 9/2014 Sandgrund
2016/0176596 A1 * 6/2016 Kuipers B65D 57/00
211/85.3
2016/0293149 A1 * 10/2016 Mael G10D 1/08

OTHER PUBLICATIONS

International Searching Authority (PCT), Written Opinion of the
International Searching Authority, Sep. 19, 2014.

* cited by examiner

FIG. 1

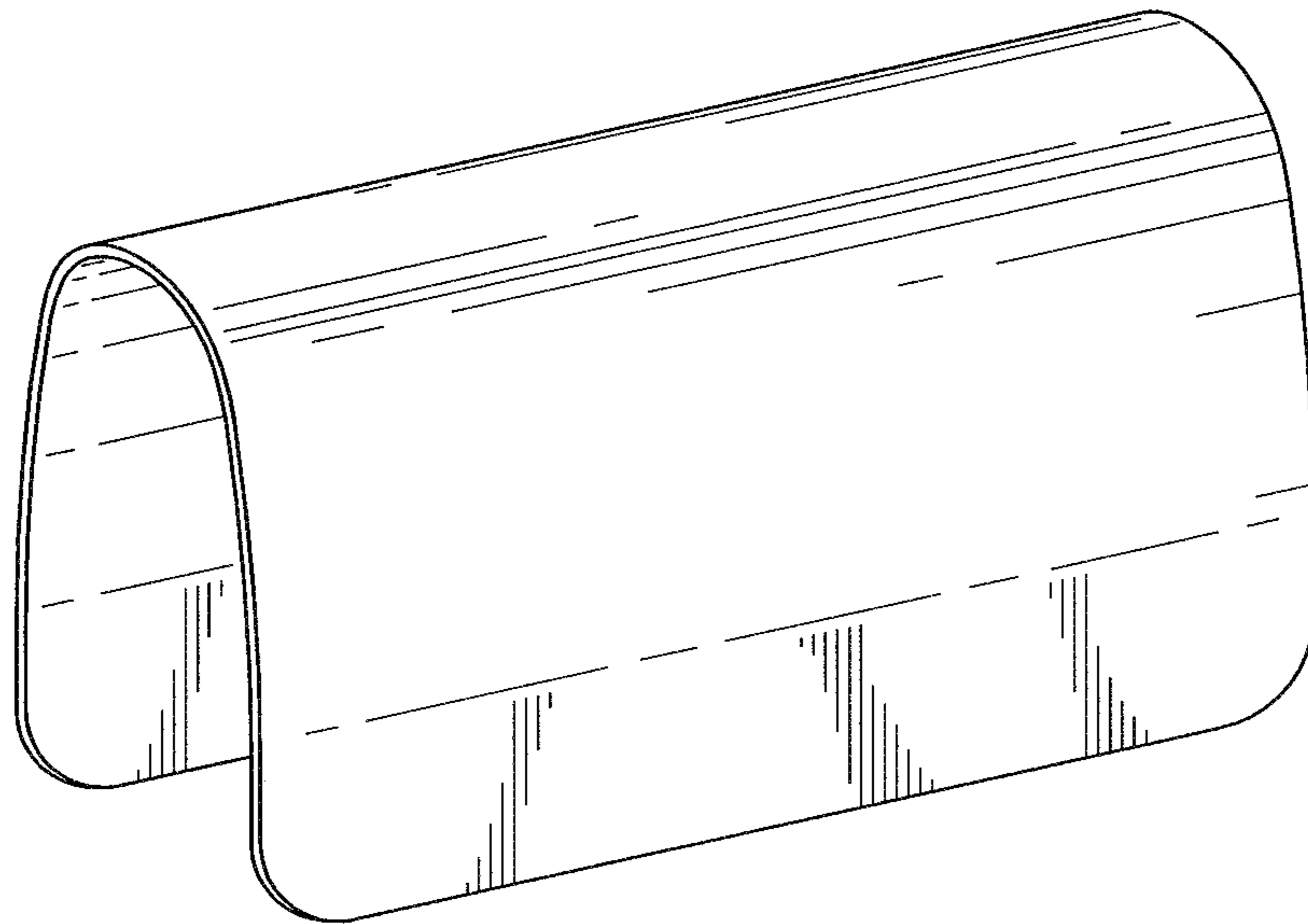


FIG. 2

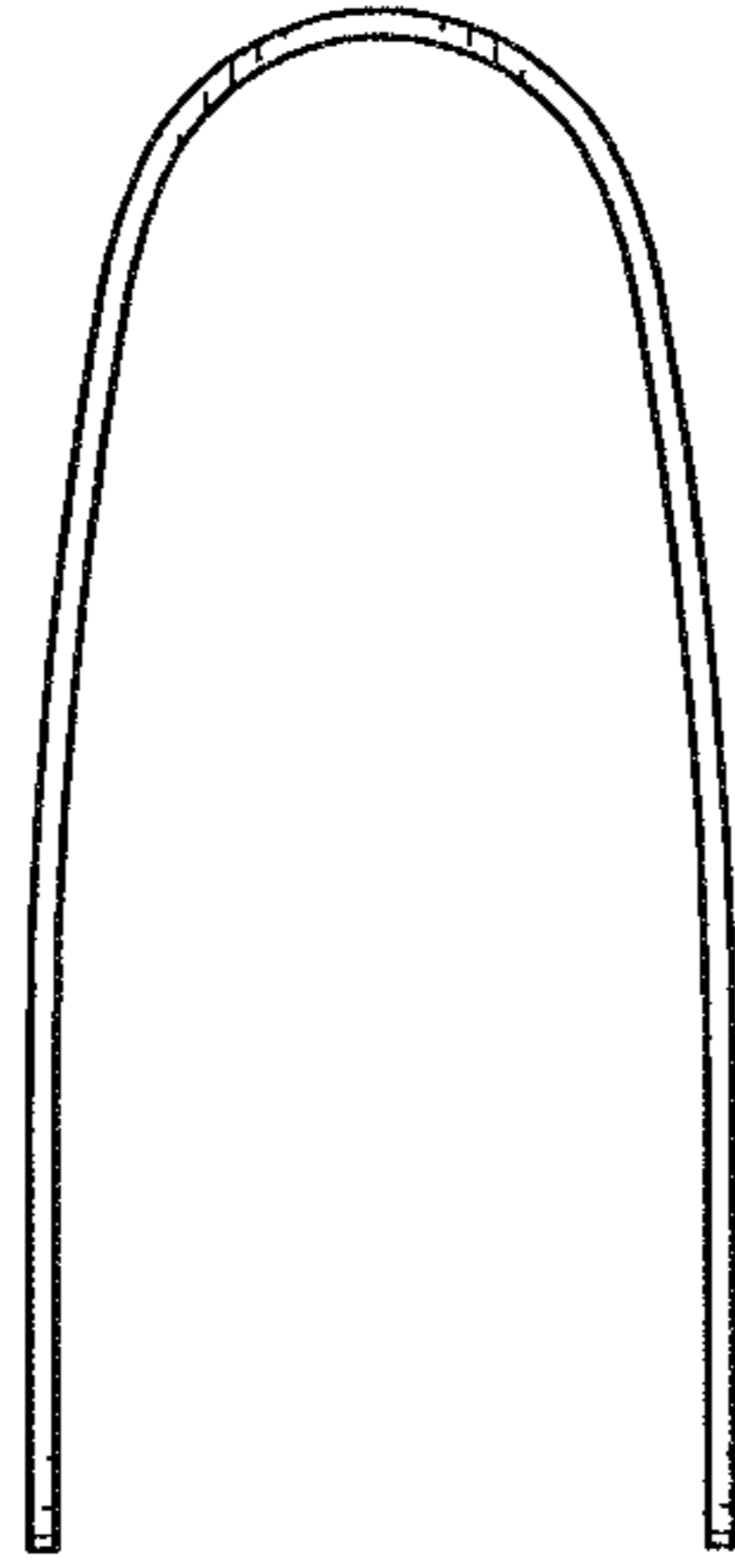


FIG. 3

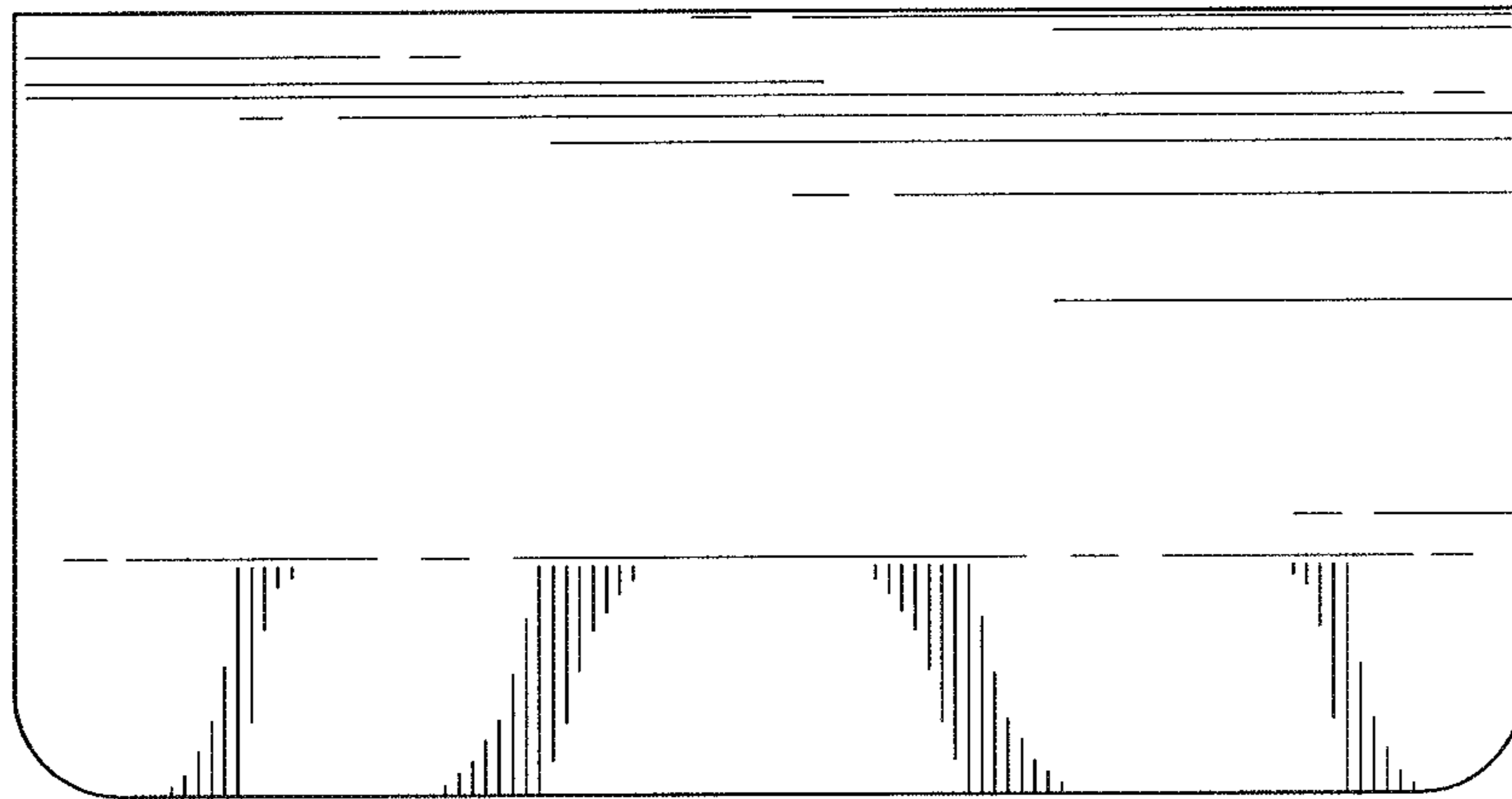


FIG. 4

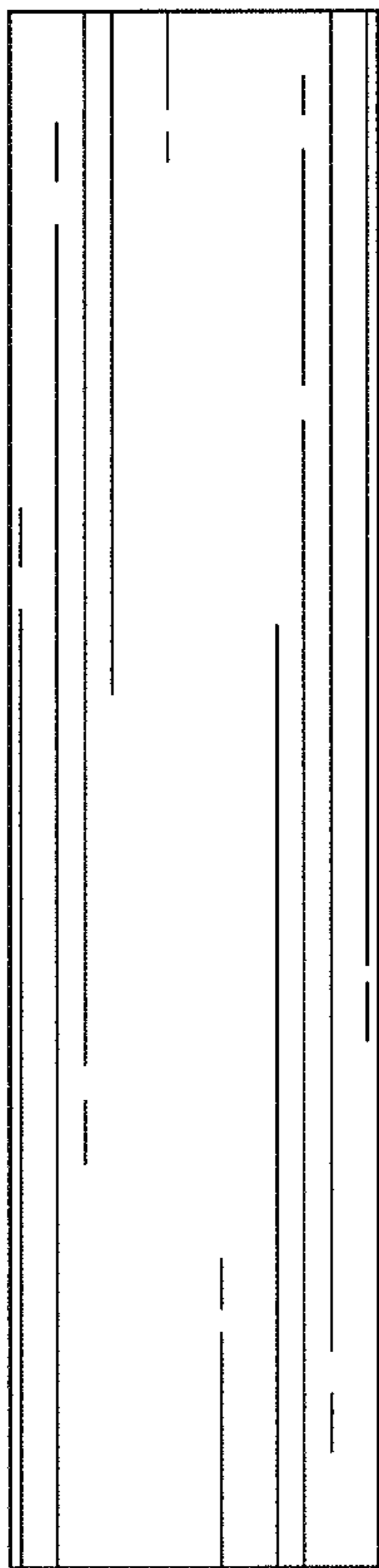


FIG. 5

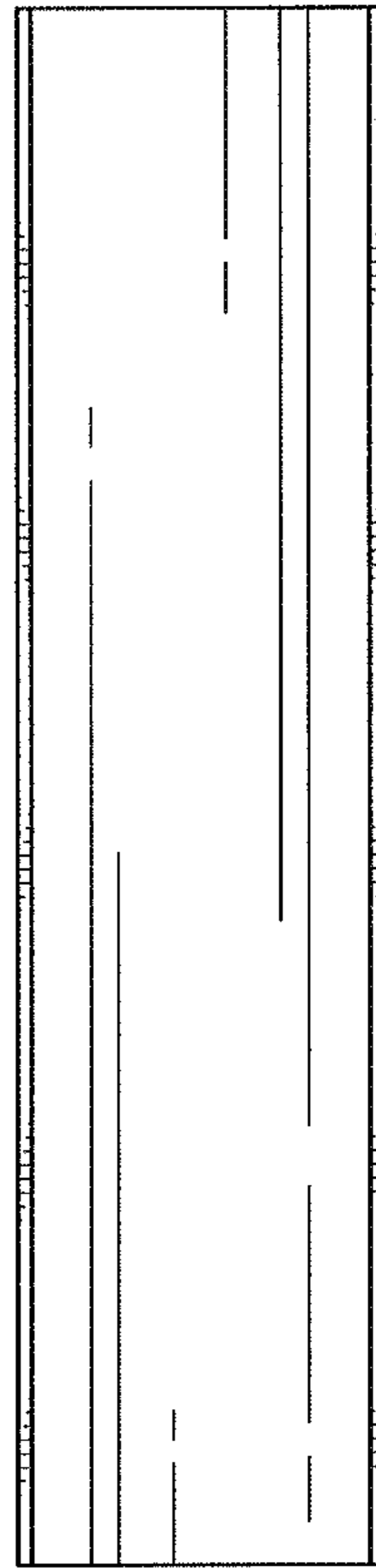


FIG. 6

