



US00D777447S

(12) **United States Design Patent**  
**Libman et al.**

(10) **Patent No.:** **US D777,447 S**  
(45) **Date of Patent:** **\*\* Jan. 31, 2017**

(54) **SOAP DISPENSER**

(71) Applicant: **The Libman Company**, Arcola, IL (US)

(72) Inventors: **Robert J. Libman**, Arcola, IL (US); **Enzo Berti**, Pianiga (IT); **Marco Bizzotto**, Padua (IT); **Roberto Pellacini**, Torrechiara Langhirano (IT)

(73) Assignee: **The Libman Company**, Arcola, IL (US)

(\*\*) Term: **14 Years**

(21) Appl. No.: **29/519,769**

(22) Filed: **Mar. 6, 2015**

(51) **LOC (10) Cl.** ..... **04-03**

(52) **U.S. Cl.**  
USPC ..... **D4/114**

(58) **Field of Classification Search**  
USPC ..... D4/114, 128, 120, 121, 138, 133, 119;  
D30/158; D32/41; 401/207  
CPC ..... A47L 13/17  
See application file for complete search history.

(56) **References Cited**

**U.S. PATENT DOCUMENTS**

D279,648 S	7/1985	Fini	
D330,788 S	11/1992	Berti	
D348,819 S	7/1994	Craig	
D351,066 S *	10/1994	Libman	D4/114
D355,831 S	2/1995	Hull et al.	
D356,021 S	3/1995	Hull et al.	
5,440,784 A	8/1995	Hull et al.	
5,595,095 A	1/1997	Hillinger	
D387,704 S	12/1997	Berti	
D394,331 S	5/1998	Price	
D404,280 S	1/1999	Wen	
D414,005 S	9/1999	Lehnertz	

D420,556 S	2/2000	Don	
D426,136 S	6/2000	Yu	
D427,030 S	6/2000	Wen	
6,250,833 B1	6/2001	Perry et al.	
D453,465 S	2/2002	Hsieh	
D463,244 S	9/2002	Chen	
D465,397 S	11/2002	Chen	
D476,535 S	7/2003	Garon	
D484,705 S	1/2004	Dotterman et al.	
D493,962 S	8/2004	Dotterman et al.	
D498,130 S	11/2004	Tomchak et al.	
D500,926 S	1/2005	Hay	
D501,607 S	2/2005	Hay et al.	
D509,032 S *	8/2005	Dunn	D30/158
D511,626 S	11/2005	Hay et al.	
7,040,830 B2	5/2006	Kliegman et al.	

(Continued)

*Primary Examiner* — Rhea Shields

(74) *Attorney, Agent, or Firm* — Banner & Witcoff, Ltd.

(57) **CLAIM**

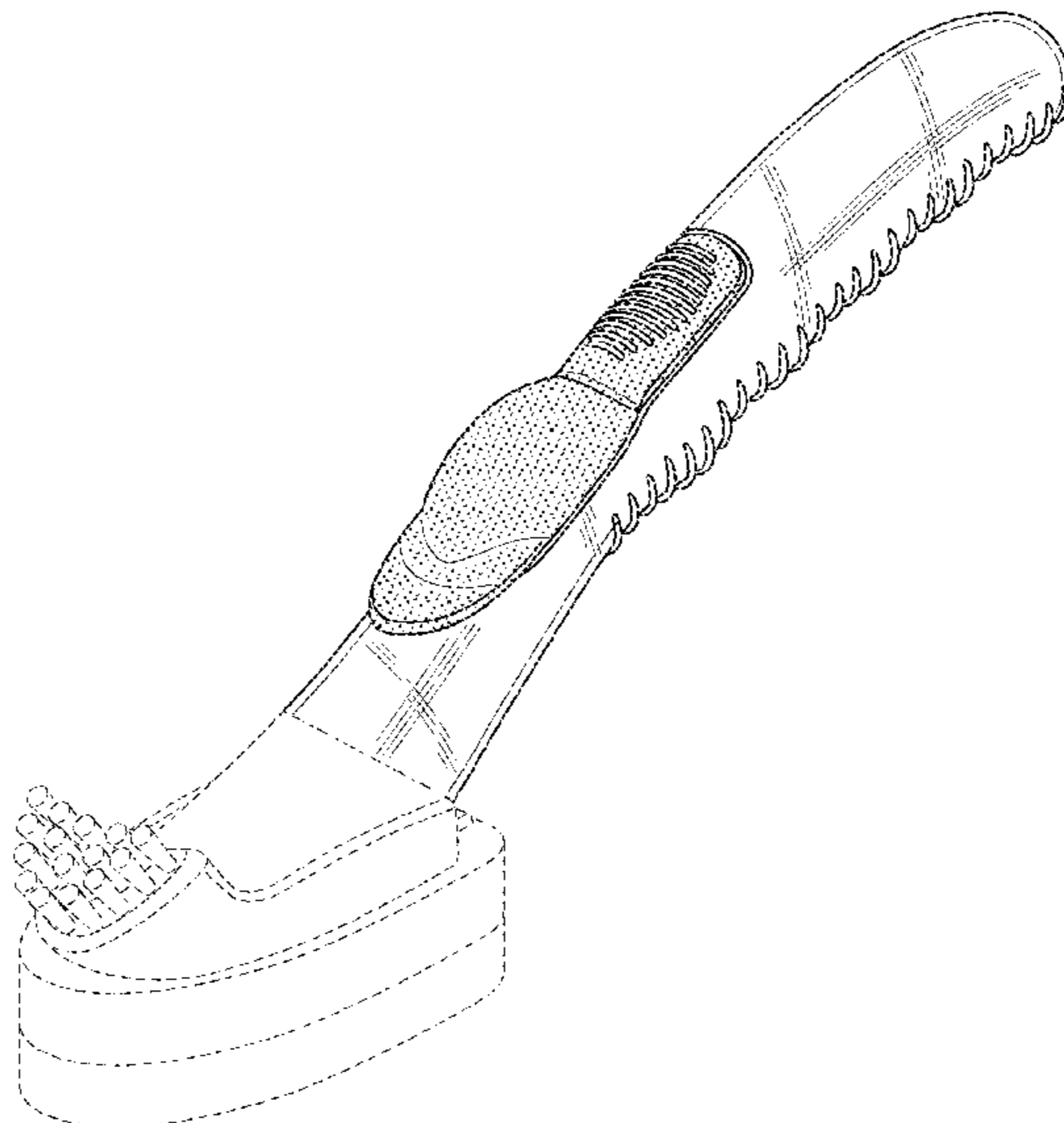
The ornamental design for a soap dispenser, as shown and described.

**DESCRIPTION**

FIG. 1 is a top, front, right perspective view of a soap dispenser showing our new design;  
 FIG. 2 is a reduced, exploded top, front, right perspective view thereof;  
 FIG. 3 is a top view thereof;  
 FIG. 4 is a right side view thereof, wherein the left side view is a mirror image thereof;  
 FIG. 5 is a front view thereof;  
 FIG. 6 is a rear view thereof; and,  
 FIG. 7 is a bottom view thereof.

The uneven-length broken lines immediately adjacent to the shaded area represent unclaimed boundaries of the design. The even-length broken lines showing the remainder of the soap dispenser are for environmental purposes only and form no part of the claimed design.

**1 Claim, 5 Drawing Sheets**



(56)

References Cited

U.S. PATENT DOCUMENTS

D530,589 S 10/2006 Wang  
 D533,761 S 12/2006 Lin  
 D534,410 S 1/2007 Chen  
 D550,416 S 9/2007 Berti  
 D550,914 S 9/2007 Khubani  
 D554,314 S 10/2007 Kubes et al.  
 D558,417 S 12/2007 Libman et al.  
 D559,488 S 1/2008 Libman et al.  
 D565,846 S 4/2008 Holcomb et al.  
 D575,524 S \* 8/2008 Libman ..... D4/119  
 D577,200 S \* 9/2008 Meyer ..... D4/119  
 D577,201 S \* 9/2008 Meyer ..... D4/119  
 D577,202 S \* 9/2008 Meyer ..... D4/119  
 D584,061 S \* 1/2009 Meyer ..... D4/138  
 D584,871 S 1/2009 Arvinte et al.  
 D588,767 S \* 3/2009 Libman ..... D32/41  
 D606,320 S \* 12/2009 Meyer ..... D4/138  
 D622,510 S 8/2010 Wales  
 D647,703 S \* 11/2011 Li ..... D4/128  
 D668,877 S \* 10/2012 Pires ..... D4/133  
 8,342,768 B1 1/2013 Johnston et al.  
 8,348,537 B2 1/2013 Cable, Jr. et al.  
 8,360,668 B1 1/2013 Hinnant  
 D685,548 S 7/2013 Wong  
 D685,549 S 7/2013 Wong  
 D686,365 S 7/2013 Ruiz et al.  
 D688,877 S 9/2013 Li  
 D689,700 S 9/2013 Lee et al.  
 D690,481 S 9/2013 Roehm et al.  
 8,556,529 B2 10/2013 Law et al.

D693,128 S \* 11/2013 Williams ..... D4/128  
 D694,018 S \* 11/2013 Williams ..... D4/128  
 D696,519 S 12/2013 Schouten et al.  
 8,601,631 B1 12/2013 Martin  
 8,672,573 B2 3/2014 Francoeur  
 D703,825 S 4/2014 Barrett  
 8,684,619 B2 4/2014 Uchiyama et al.  
 8,708,983 B2 4/2014 McDonald et al.  
 D703,958 S \* 5/2014 Schouten ..... D4/120  
 D704,451 S 5/2014 Schouten et al.  
 D709,260 S 7/2014 Molinet et al.  
 8,790,031 B2 7/2014 McDonald  
 D711,110 S 8/2014 Gonzalez et al.  
 8,801,312 B2 8/2014 Guzman et al.  
 D713,152 S 9/2014 Lu  
 8,834,055 B2 9/2014 Uchiyama et al.  
 D715,060 S \* 10/2014 Evans ..... D4/121  
 D715,061 S 10/2014 Schouten et al.  
 8,888,395 B1 11/2014 Hinnant  
 D719,357 S 12/2014 Li  
 8,899,858 B2 12/2014 Margoosian et al.  
 D720,933 S \* 1/2015 Albers ..... D4/120  
 8,931,971 B2 1/2015 Schwarz et al.  
 D761,568 S \* 7/2016 Harrington ..... D4/138  
 2007/0223989 A1 \* 9/2007 Bizzotto ..... A47L 13/17  
 401/207  
 2013/0251439 A1 9/2013 Guzman  
 2014/0099154 A1 4/2014 O'Neill  
 2014/0205360 A1 7/2014 Dokken et al.  
 2014/0311524 A1 10/2014 Call  
 2014/0352094 A1 12/2014 Wildeman et al.  
 2014/0373292 A1 12/2014 Schwarz et al.

\* cited by examiner

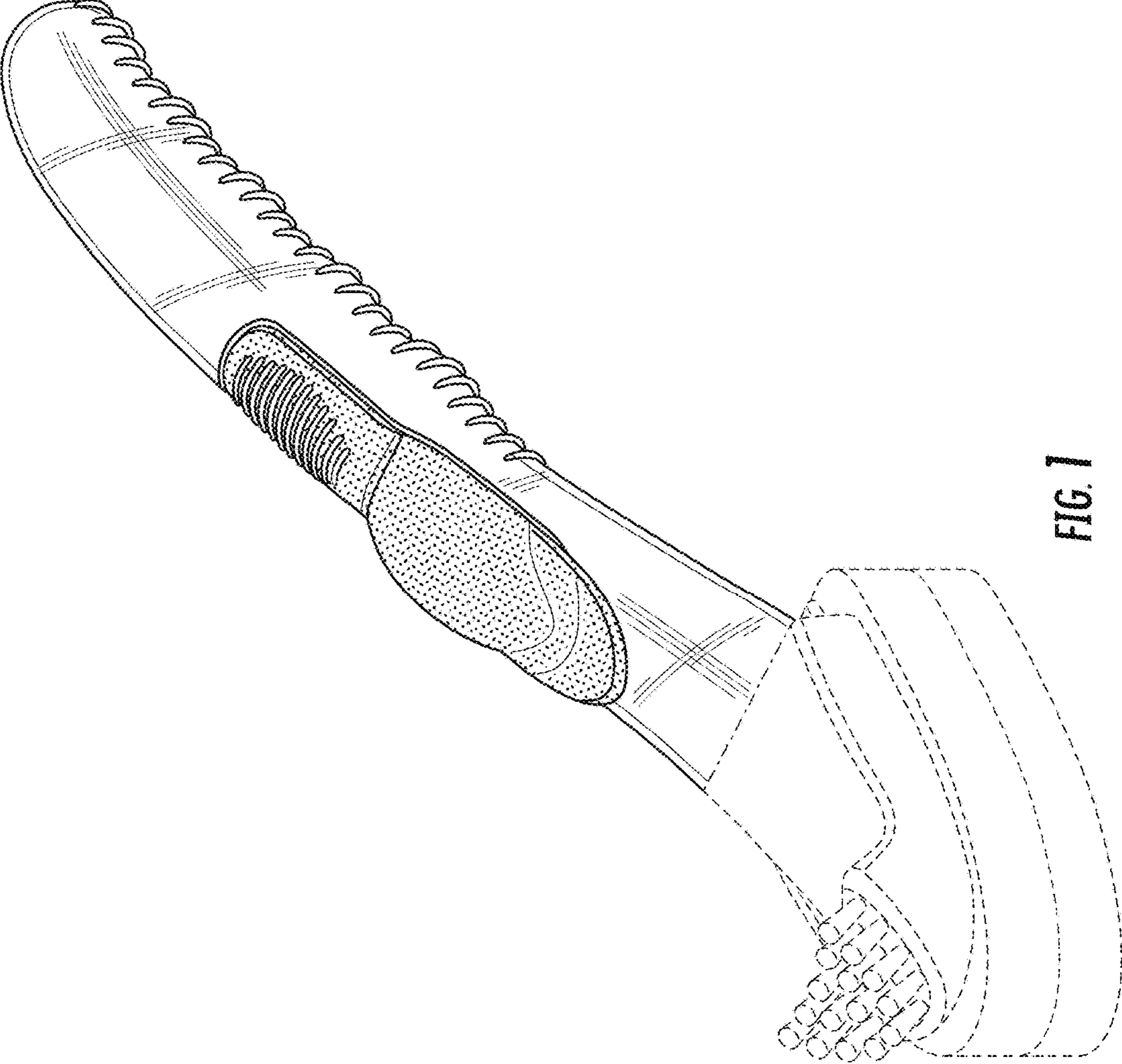


FIG. 1

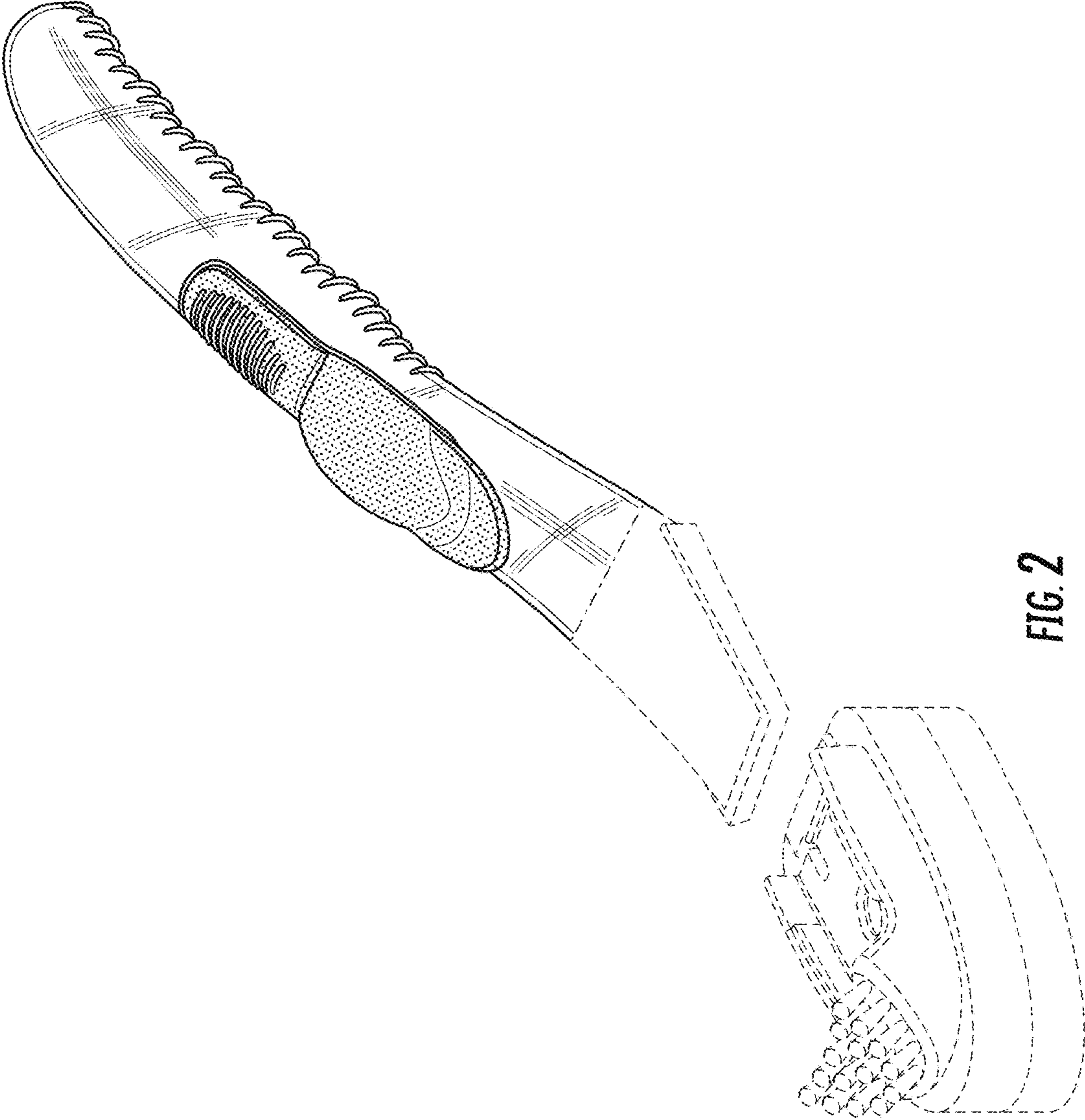


FIG. 2



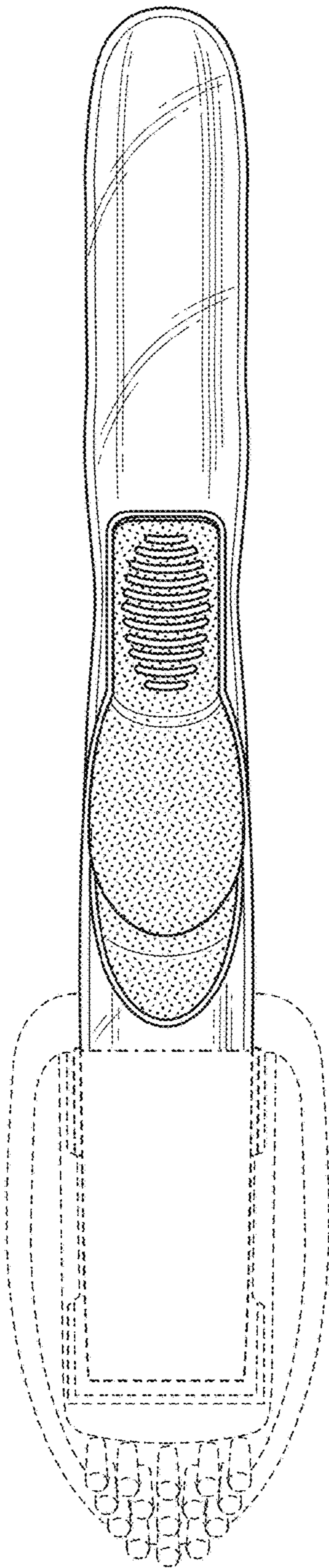


FIG. 3

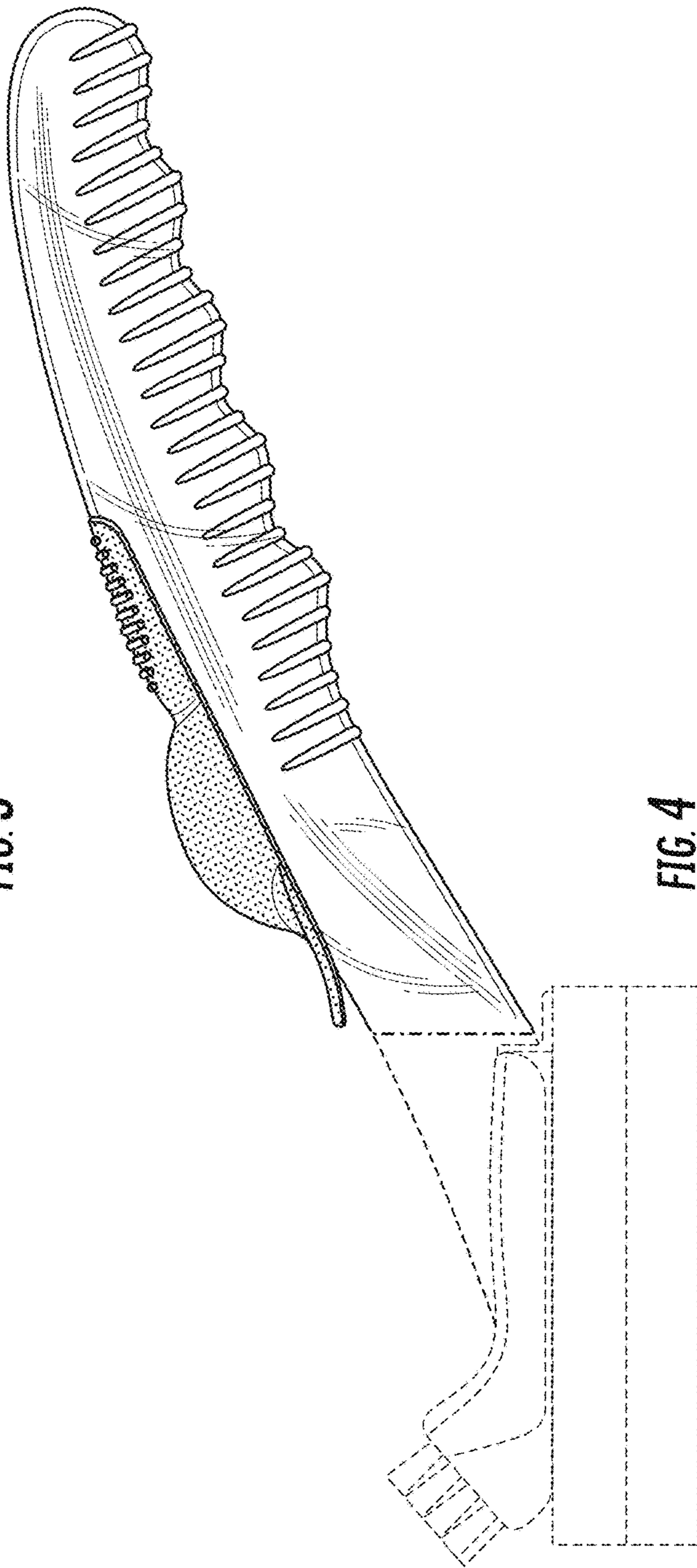


FIG. 4

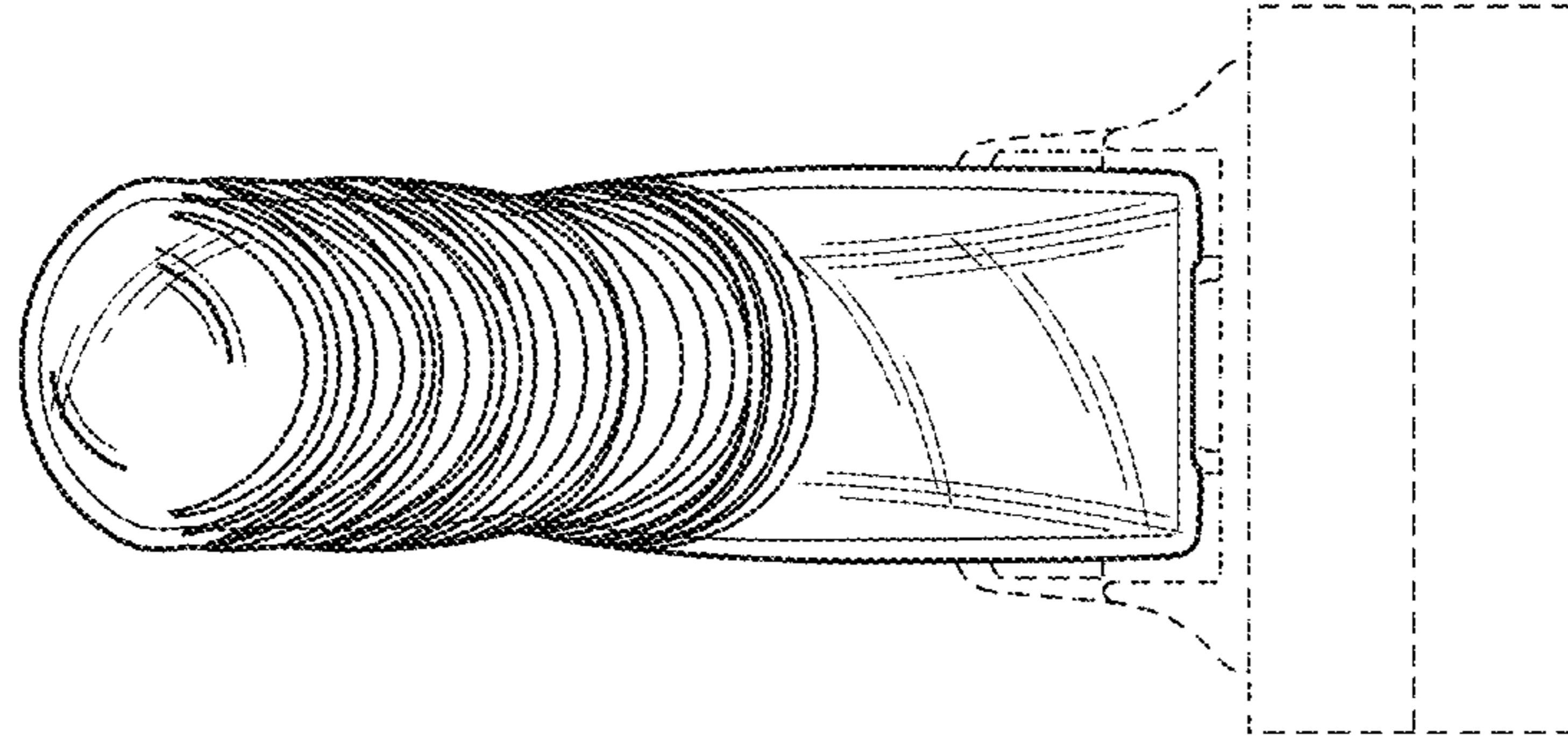


FIG. 6

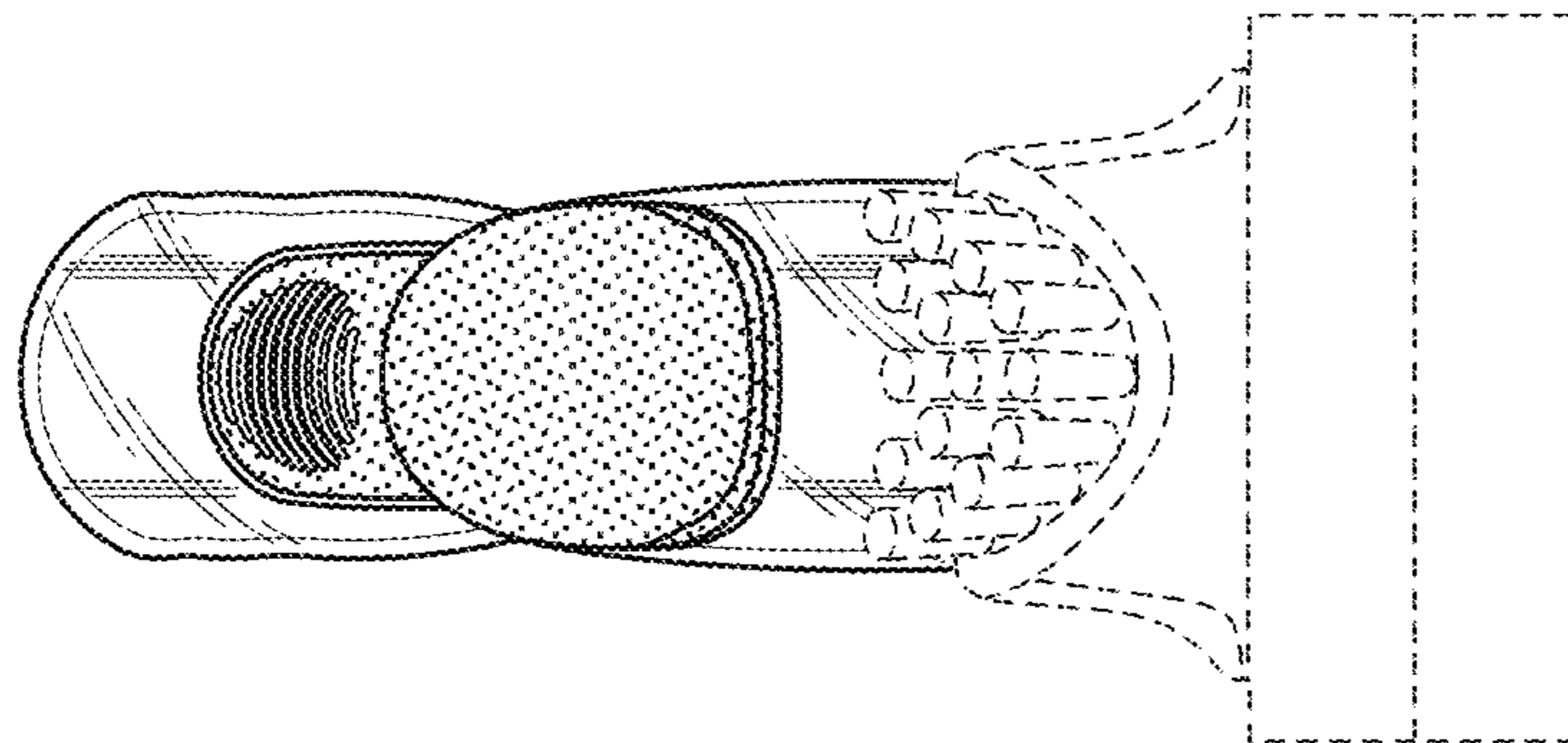


FIG. 5

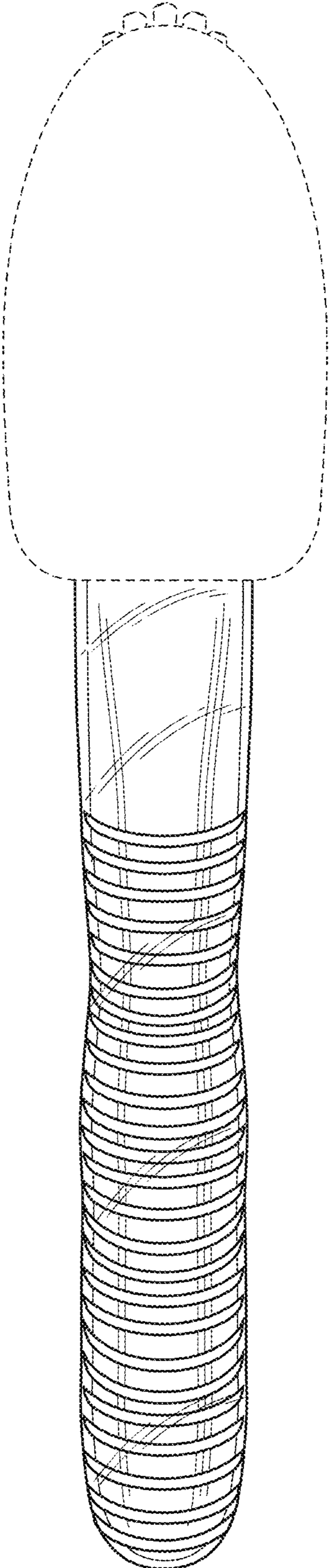


FIG. 7