



US00D777445S

(12) **United States Design Patent** (10) **Patent No.:** **US D777,445 S**  
**Sedic** (45) **Date of Patent:** **\*\* Jan. 31, 2017**

- (54) **TONGUE CLEANER**
- (71) Applicant: **Filip Sedic**, Stockholm (SE)
- (72) Inventor: **Filip Sedic**, Stockholm (SE)
- (\*\*) Term: **15 Years**
- (21) Appl. No.: **29/568,117**
- (22) Filed: **Jun. 15, 2016**

**Related U.S. Application Data**

- (62) Division of application No. 29/535,198, filed on Aug. 4, 2015.
- (51) **LOC (10) Cl.** ..... **28-03**
- (52) **U.S. Cl.**  
USPC ..... **D4/101; D4/113**
- (58) **Field of Classification Search**  
USPC ... D4/101, 104–112, 113, 132–134; 15/22.1, 15/59.1, 167.1, 401, 105, 106; 132/309; 433/216; D24/146, 147, 149; 606/161  
CPC ..... A46B 2200/1066; A46B 15/0071; A46B 15/0002; A46B 5/02; A46B 15/0055; A46D 1/00; A45D 44/18; A61C 19/066; A61B 17/244  
See application file for complete search history.

(56) **References Cited**

**U.S. PATENT DOCUMENTS**

2,218,072	A *	10/1940	Runnels	.....	A61B 17/244
					15/110
2,583,750	A *	1/1952	Runnels	.....	A61B 17/244
					15/236.06
D237,187	S	10/1975	Fattaleh et al.		
D237,188	S	10/1975	Fattaleh et al.		
D246,878	S *	1/1978	Kitzis	.....	D24/139
D265,506	S *	7/1982	Finamore	.....	D24/147
D291,001	S *	7/1987	Gaskins	.....	D24/147
D294,885	S *	3/1988	Mollenhoff	.....	15/23

D295,695	S *	5/1988	Golzari	.....	D24/149
D301,372	S *	5/1989	Tsen	.....	D24/147
D324,912	S *	3/1992	Hansen	.....	D24/146
D367,707	S *	3/1996	Baker	.....	D24/146
D378,411	S *	3/1997	Taoatao	.....	D24/147
D385,962	S *	11/1997	Conrey	.....	D24/147
D391,370	S *	2/1998	Cho	.....	D24/147
D392,386	S *	3/1998	Nguyen	.....	D24/147
5,779,475	A *	7/1998	Patel	.....	A46B 15/00
					15/236.08
5,792,159	A *	8/1998	Amin	.....	A61B 17/244
					15/236.06
D402,811	S *	12/1998	Stansbury, Jr.	.....	D4/101
D404,487	S *	1/1999	Bertella	.....	D24/147
D406,891	S *	3/1999	Smith	.....	D24/147
D408,534	S *	4/1999	Jansheski	.....	D24/147
5,893,860	A *	4/1999	Ripich	.....	A61B 17/244
					606/161
5,947,912	A *	9/1999	Montagnino	.....	A61B 17/244
					601/141

(Continued)

*Primary Examiner* — John Windmuller  
*Assistant Examiner* — Steven Czyz  
 (74) *Attorney, Agent, or Firm* — Fenwick & West LLP

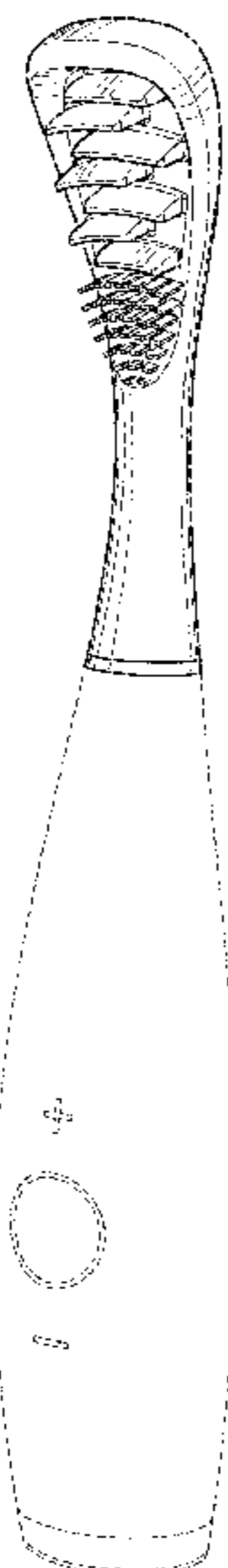
(57) **CLAIM**

I claim the ornamental design for a tongue cleaner, as shown and described.

**DESCRIPTION**

FIG. 1 is a perspective view of a tongue cleaner;  
 FIG. 2 is a front view thereof;  
 FIG. 3 is a back view thereof;  
 FIG. 4 is a right side view thereof;  
 FIG. 5 is a left side view thereof;  
 FIG. 6 is a top view thereof; and,  
 FIG. 7 is a bottom view thereof.  
 The broken lines depict portions of the article that form no part of the claimed design.

**1 Claim, 7 Drawing Sheets**



(56)

**References Cited**

U.S. PATENT DOCUMENTS

5,984,935	A *	11/1999	Welt .....	A61B 17/244	606/161	2004/0092981	A1 *	5/2004	Barlow .....	A61B 17/244	606/161
D423,785	S *	5/2000	Karallis .....	D4/108		2006/0052805	A1 *	3/2006	Cwik .....	A61B 17/244	606/161
D465,847	S *	11/2002	Jacobs .....	D24/147		2006/0058821	A1 *	3/2006	Jansheski .....	A61B 17/244	606/161
D475,460	S *	6/2003	Latone .....	D24/147		2008/0208228	A1 *	8/2008	Mueller .....	A61B 17/244	606/161
D484,312	S *	12/2003	Li .....	D4/101		2009/0111069	A1 *	4/2009	Wagner .....	A61B 17/244	433/95
D484,978	S *	1/2004	Syal .....	D24/147		2009/0130637	A1 *	5/2009	Pantangco, III .....	A61B 17/244	433/216
D499,884	S *	12/2004	Chan .....	D4/101		2011/0289707	A1 *	12/2011	Schaefer .....	A46B 15/0002	15/105
D508,325	S *	8/2005	Zunga .....	D4/108		2013/0000658	A1 *	1/2013	Nguyen .....	A46B 15/0071	132/200
D515,817	S *	2/2006	Siemer .....	D4/108		2014/0298605	A1 *	10/2014	Ivory .....	A46B 15/0081	15/111
D527,821	S *	9/2006	Cwik .....	D24/147		2015/0283401	A1 *	10/2015	Cha .....	A46B 15/0036	433/29
D529,174	S *	9/2006	Kling .....	D24/146		2016/0051271	A1 *	2/2016	Bock .....	A61B 17/244	606/161
D536,452	S *	2/2007	Geiberger .....	D24/147							
D538,929	S *	3/2007	Chuang .....	D24/112							
D567,945	S *	4/2008	Foster .....	D24/147							
D571,470	S *	6/2008	Jansheski .....	D24/147							
D583,943	S *	12/2008	Zaksenberg .....	D24/147							
D595,963	S *	7/2009	Gronikowski .....	D4/108							
D651,808	S *	1/2012	Nguyen .....	D4/108							
D652,925	S *	1/2012	Nanda .....	D24/147							
D661,098	S *	6/2012	Nanda .....	D4/101							
D696,517	S *	12/2013	Gebbski .....	D4/101							
8,740,788	B1 *	6/2014	Mettler, Jr. ....	A61B 17/244	600/240						

\* cited by examiner

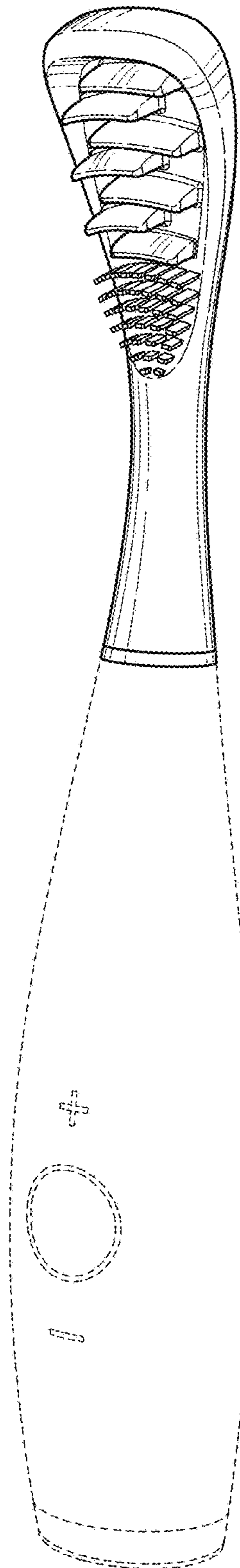


FIG. 1

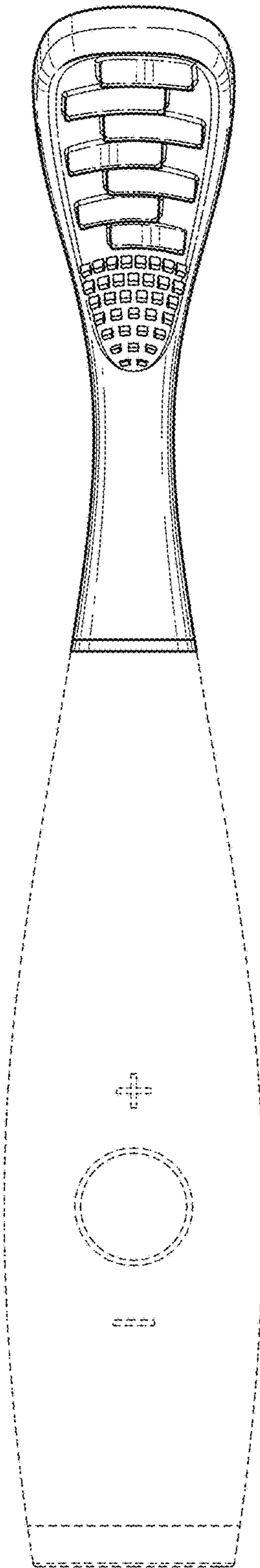


FIG. 2

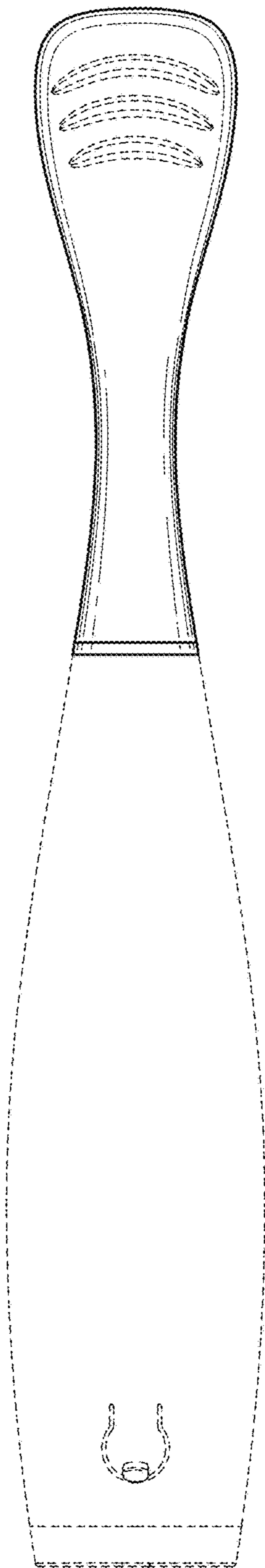


FIG. 3

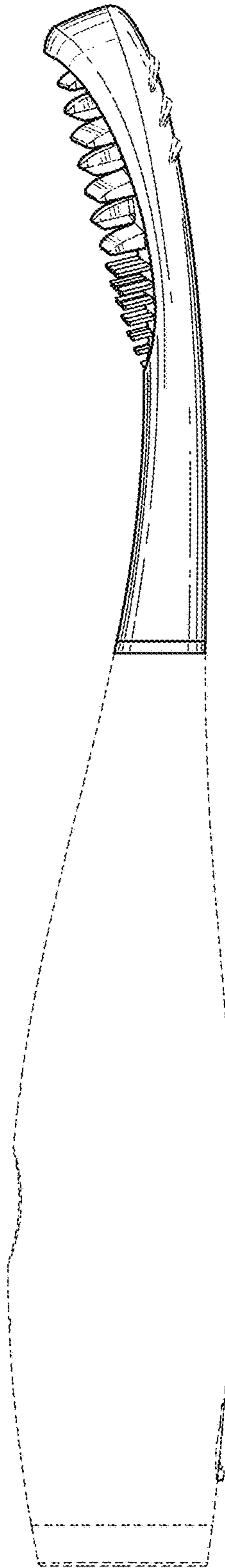


FIG. 4

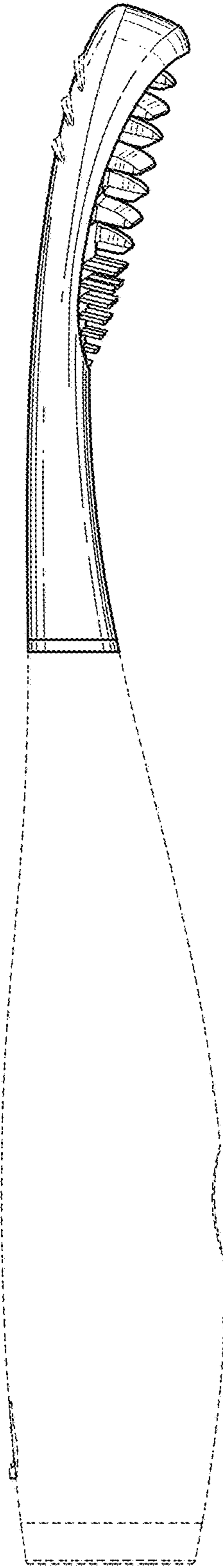


FIG. 5

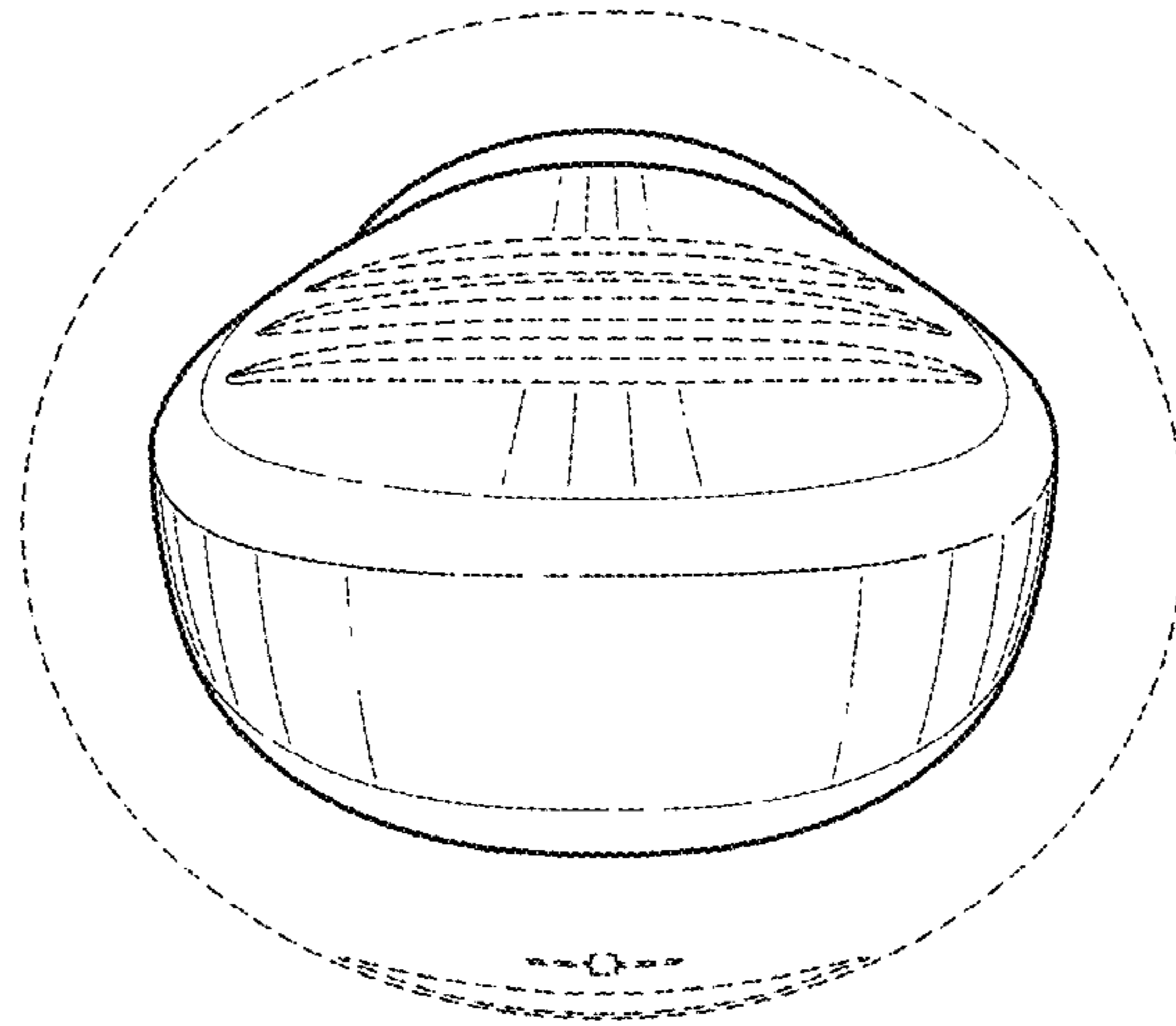


FIG. 6



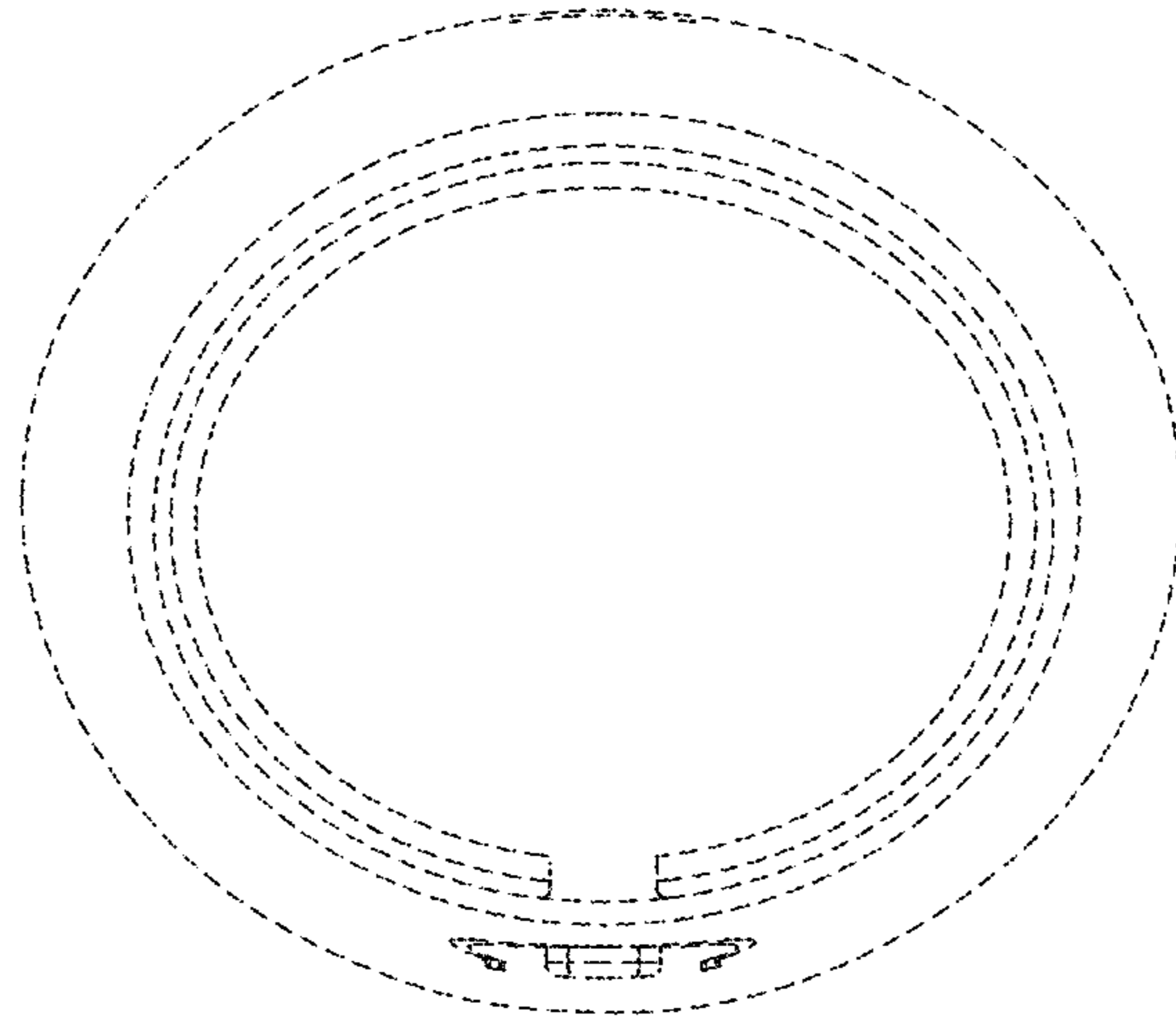


FIG. 7