



US00D777444S

(12) **United States Design Patent** (10) **Patent No.:** **US D777,444 S**
Sedic (45) **Date of Patent:** **** Jan. 31, 2017**

- (54) **TONGUE CLEANER**
- (71) Applicant: **Filip Sedic**, Stockholm (SE)
- (72) Inventor: **Filip Sedic**, Stockholm (SE)
- (**) Term: **15 Years**
- (21) Appl. No.: **29/568,113**
- (22) Filed: **Jun. 15, 2016**

Related U.S. Application Data

- (62) Division of application No. 29/535,198, filed on Aug. 4, 2015.
- (51) **LOC (10) Cl.** **28-03**
- (52) **U.S. Cl.**
USPC **D4/101**
- (58) **Field of Classification Search**
USPC ... D4/101, 104–112, 113, 132–134; 15/22.1, D4/59.1, 167.1, 401, 105, 106; 132/309; 433/216; D24/146, 147, 149; 606/161
CPC A46B 2200/1066; A46B 15/0071; A46B 15/0002; A46B 5/02; A46B 15/0055; A46D 1/00; A45D 44/18; A61C 19/066; A61B 17/244
See application file for complete search history.

(56) **References Cited**

U.S. PATENT DOCUMENTS

2,218,072	A *	10/1940	Runnels	A61B 17/244
					15/110
2,583,750	A *	1/1952	Runnels	A61B 17/244
					15/236.06
D237,187	S	10/1975	Fattaleh et al.		
D237,188	S	10/1975	Fattaleh et al.		
D246,878	S *	1/1978	Kitzis	D24/139
D265,506	S *	7/1982	Finamore	D24/147
D291,001	S *	7/1987	Gaskins	D24/147
D294,885	S *	3/1988	Mollenhoff	15/23

D295,695	S *	5/1988	Golzari	D24/149
D301,372	S *	5/1989	Tsen	D24/147
D324,912	S *	3/1992	Hansen	D24/146
D367,707	S *	3/1996	Baker	D24/146
D378,411	S *	3/1997	Taoatao	D24/147
D385,962	S *	11/1997	Conrey	D24/147
D391,370	S *	2/1998	Cho	D24/147
D392,386	S *	3/1998	Nguyen	D24/147
5,779,475	A *	7/1998	Patel	A46B 15/00
					15/236.08
5,792,159	A *	8/1998	Amin	A61B 17/244
					15/236.06
D402,811	S *	12/1998	Stansbury, Jr.	D4/101
D404,487	S *	1/1999	Bertella	D24/147
D406,891	S *	3/1999	Smith	D24/147
D408,534	S *	4/1999	Jansheski	D24/147
5,893,860	A *	4/1999	Ripich	A61B 17/244
					606/161
5,947,912	A *	9/1999	Montagnino	A61B 17/244
					601/141

(Continued)

Primary Examiner — John Windmuller
Assistant Examiner — Steven Czyz
(74) *Attorney, Agent, or Firm* — Fenwick & West LLP

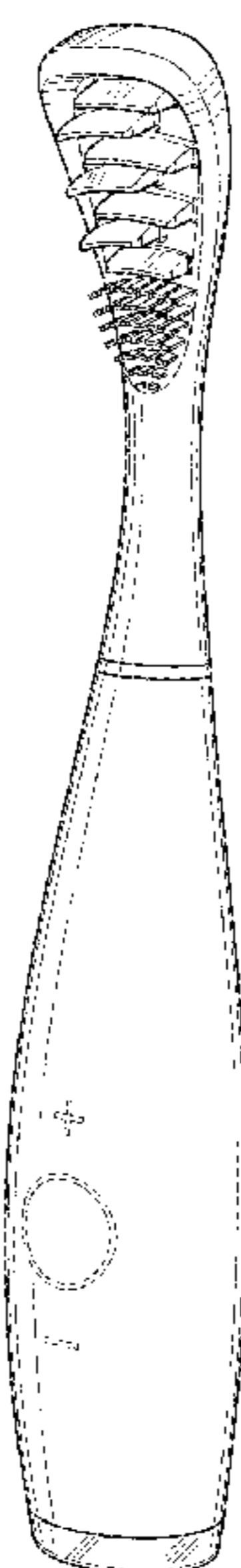
(57) **CLAIM**

I claim the ornamental design for a tongue cleaner, as shown and described.

DESCRIPTION

FIG. 1 is a perspective view of a tongue cleaner;
FIG. 2 is a front view thereof;
FIG. 3 is a back view thereof;
FIG. 4 is a right side view thereof;
FIG. 5 is a left side view thereof;
FIG. 6 is a top view thereof; and,
FIG. 7 is a bottom view thereof.
The broken lines depict portions of the article that form no part of the claimed design.

1 Claim, 7 Drawing Sheets



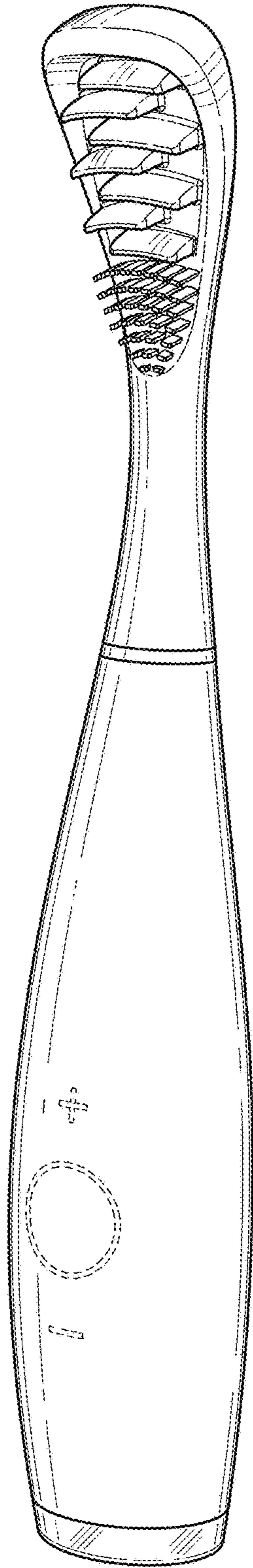


FIG. 1

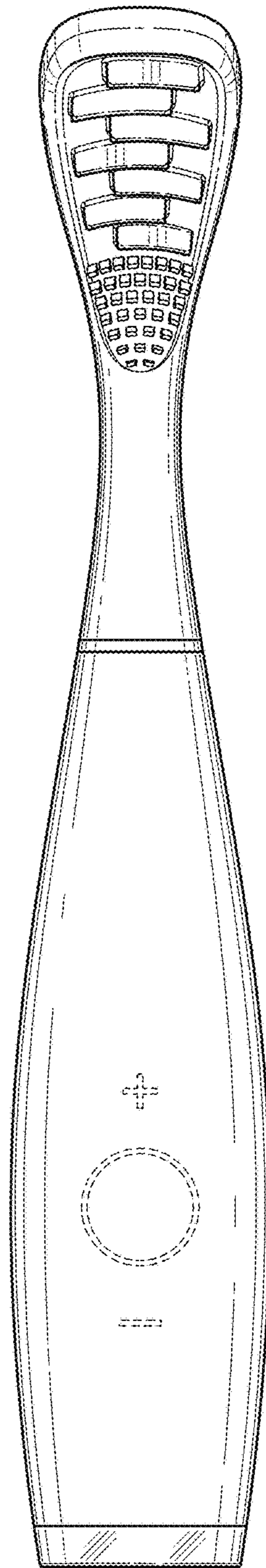


FIG. 2

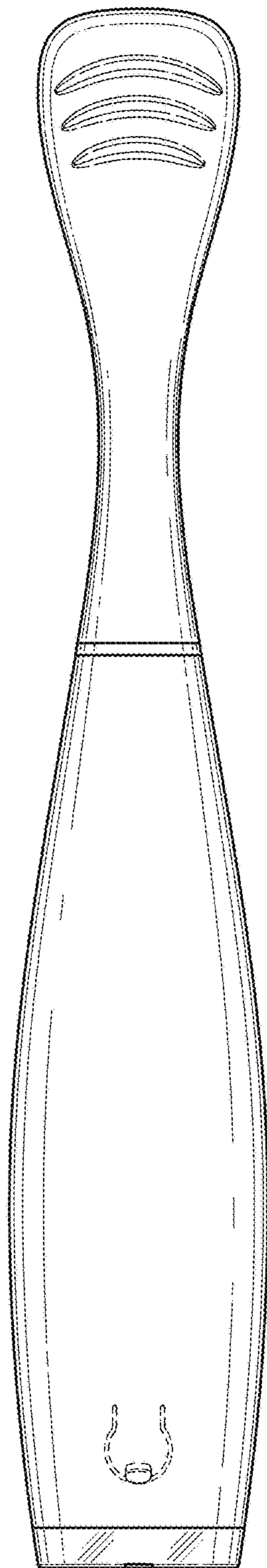


FIG. 3

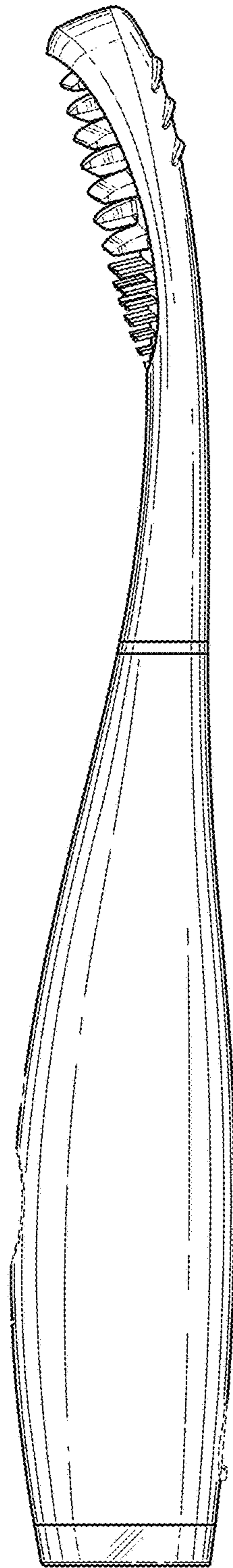


FIG. 4

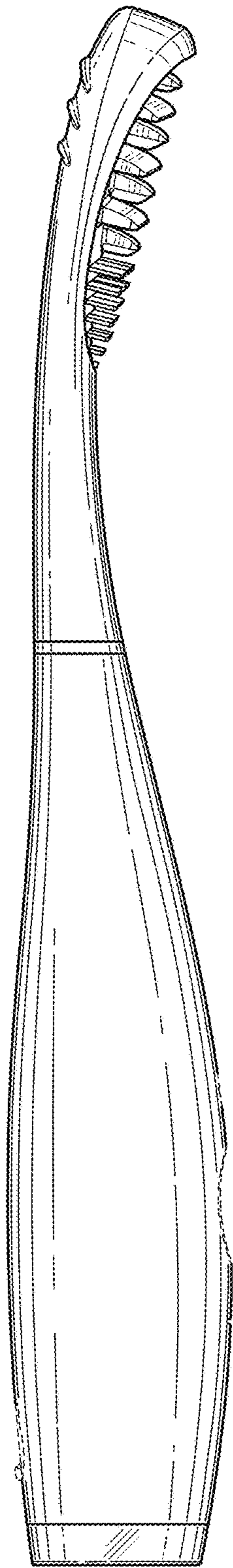


FIG. 5

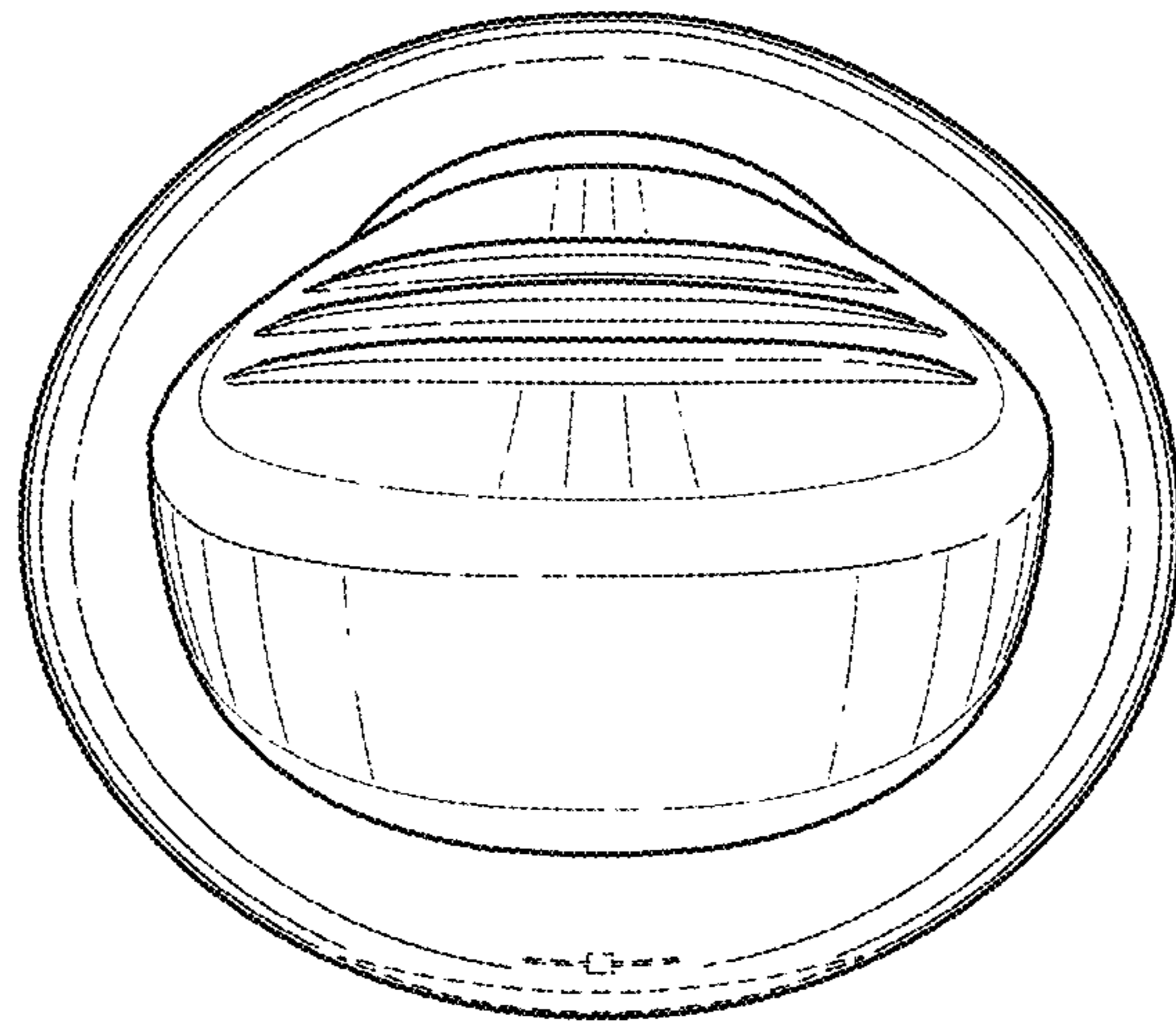


FIG. 6

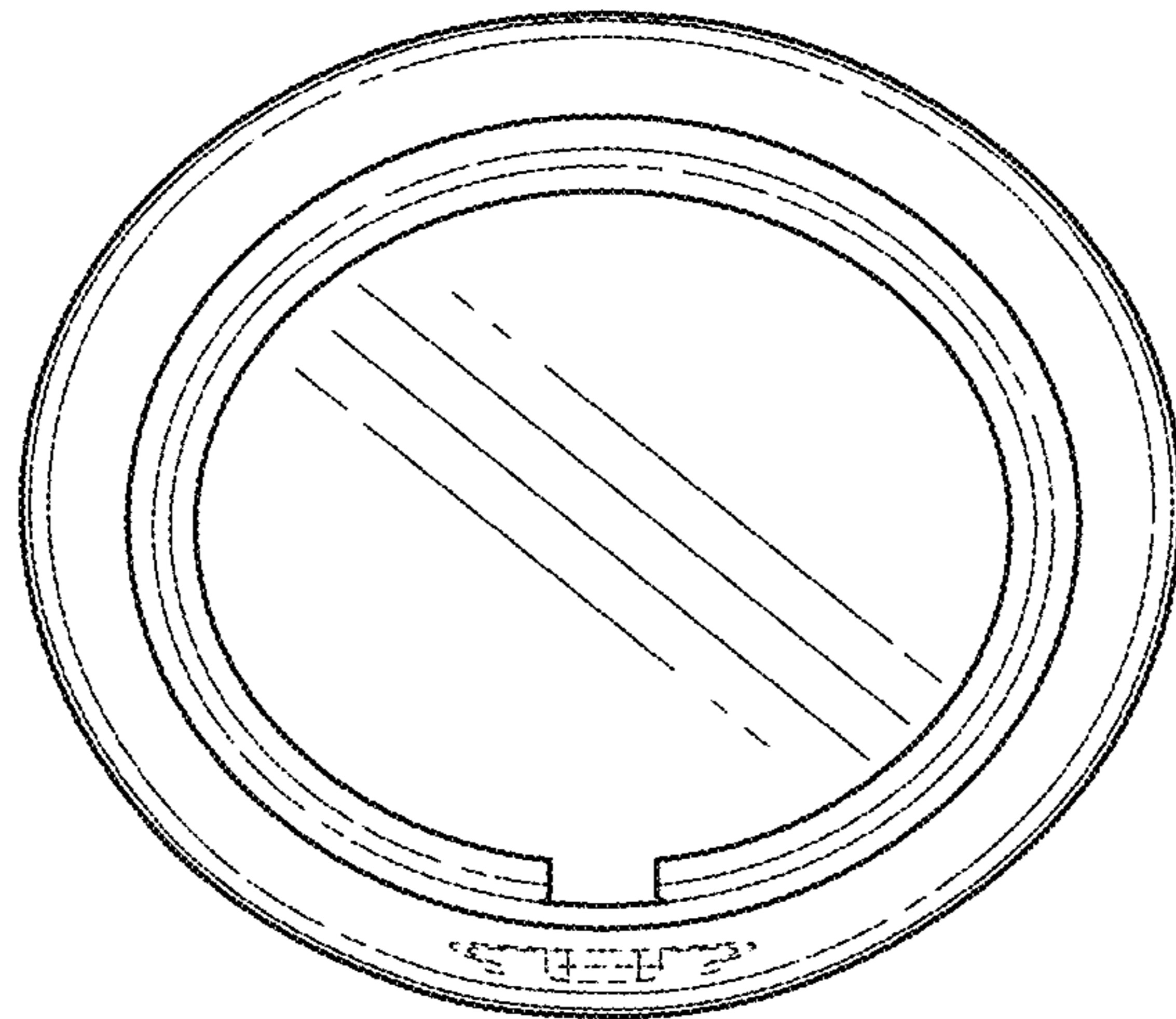


FIG. 7