



US00D777443S

(12) **United States Design Patent**  
**Xu**

(10) **Patent No.:** **US D777,443 S**  
(45) **Date of Patent:** **\*\* Jan. 31, 2017**

- (54) **INTERDENTAL BRUSH**
- (71) Applicant: **Meng Xu**, West Vancouver (CA)
- (72) Inventor: **Meng Xu**, West Vancouver (CA)
- (\*\*) Term: **15 Years**
- (21) Appl. No.: **29/545,636**
- (22) Filed: **Nov. 13, 2015**
- (51) **LOC (10) Cl.** ..... **04-02**
- (52) **U.S. Cl.**  
USPC ..... **D4/101**
- (58) **Field of Classification Search**  
USPC ..... D4/104, 105, 106, 107, 108, 109, 110,  
D4/111, 112, 128, 132, 135, 137;  
D24/119, 133, 146-147, 152, 156, 176;  
D28/65, 68; 132/309, 323  
CPC ..... A46B 5/02; A46B 9/04; A46B 3/18;  
A61C 15/00  
See application file for complete search history.

- 6,295,994 B1 \* 10/2001 Thayer ..... A46B 9/021  
132/218
- 6,325,626 B1 \* 12/2001 Blass ..... A46B 3/18  
132/321
- D454,003 S \* 3/2002 Saxon ..... D4/102
- D470,314 S \* 2/2003 Christianson ..... D4/138
- D505,790 S \* 6/2005 Kline ..... D4/111
- D521,737 S \* 5/2006 Siemer ..... D28/65
- D536,529 S \* 2/2007 Antler ..... D4/111
- 7,222,382 B2 \* 5/2007 Choi ..... A46B 9/04  
15/23
- D571,043 S \* 6/2008 Crossman ..... D28/65
- D576,799 S \* 9/2008 Vezin ..... D4/111
- D594,984 S \* 6/2009 Crossman ..... D24/152
- D609,012 S \* 2/2010 Chu ..... D4/106
- 7,909,043 B2 \* 3/2011 Kurek ..... A45D 40/262  
132/218

(Continued)

**FOREIGN PATENT DOCUMENTS**

- CN 303153001 \* 4/2015
- CN 303268797 \* 7/2015

(Continued)

*Primary Examiner* — Karen E Eldridge Powers

(56) **References Cited**  
**U.S. PATENT DOCUMENTS**

- 866,302 A \* 9/1907 Ransom et al. .... A46B 5/02  
15/143.1
- 877,324 A \* 1/1908 Gilbert ..... F41A 29/02  
131/245
- D133,610 S \* 9/1942 Borgeat ..... 15/25
- D134,303 S \* 11/1942 Hoerle ..... 15/104.2
- D247,936 S \* 5/1978 Wortley, Jr. .... D32/40
- 5,090,080 A \* 2/1992 Thuresson ..... A46B 3/18  
15/105
- D353,715 S \* 12/1994 Willinger ..... D4/119
- D356,213 S \* 3/1995 Chaves ..... D4/102
- D380,090 S \* 6/1997 Zemel ..... D4/115
- D396,348 S \* 7/1998 Chaves ..... D4/102
- D397,441 S \* 8/1998 Mark ..... D24/176
- 6,049,934 A \* 4/2000 Discko ..... A46B 5/00  
15/105

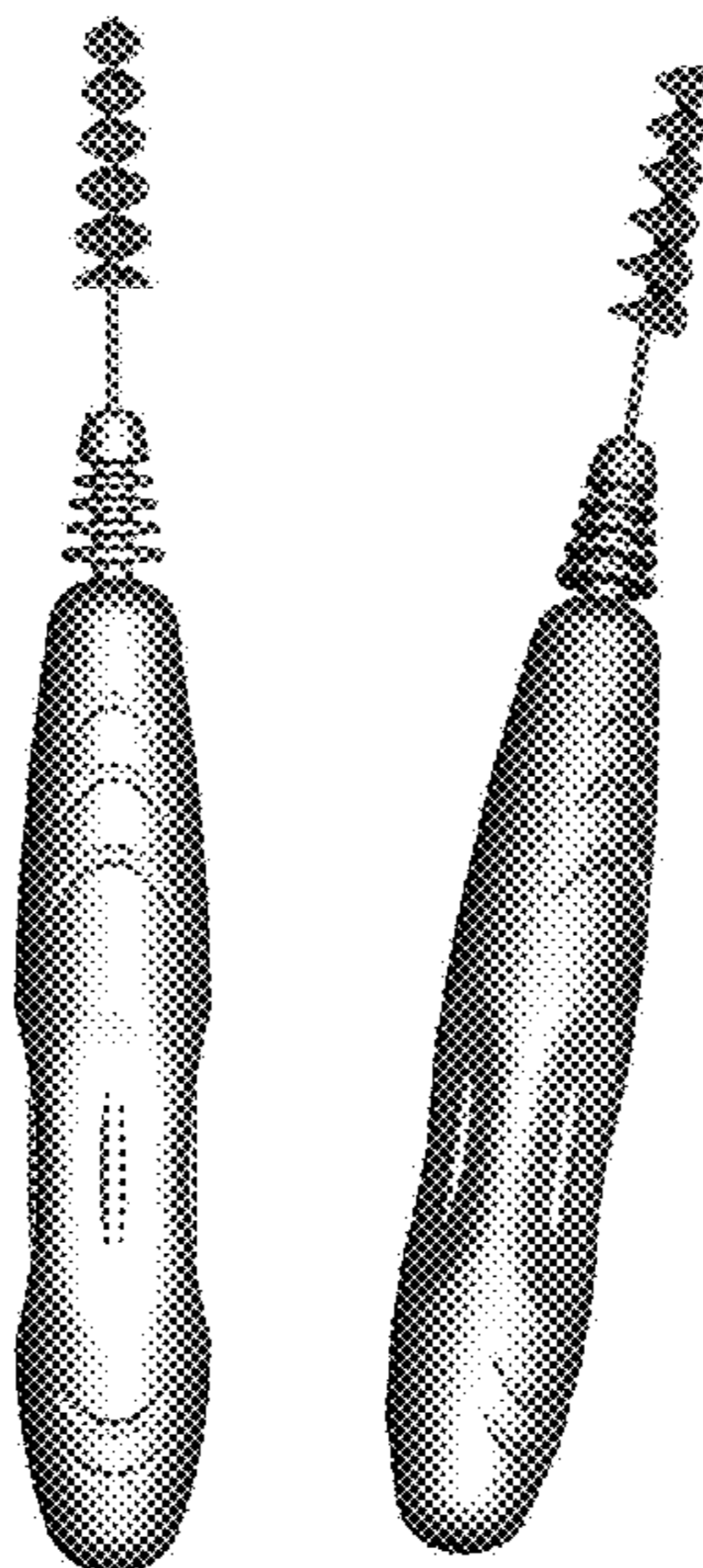
(57) **CLAIM**

The ornamental design for an interdental brush, as shown.

**DESCRIPTION**

FIG. 1 is a front view of an interdental brush showing my new design;  
 FIG. 2 is a left side view thereof;  
 FIG. 3 is a rear view thereof;  
 FIG. 4 is a right side view thereof;  
 FIG. 5 is a top view thereof;  
 FIG. 6 is a bottom view thereof;  
 FIG. 7 is a perspective view thereof; and,  
 FIG. 8 is another perspective view thereof.

**1 Claim, 8 Drawing Sheets**



(56)

References Cited

U.S. PATENT DOCUMENTS

7,921,496 B2 \* 4/2011 Choi ..... A46B 9/04  
 15/22.1  
 D655,093 S \* 3/2012 Raven ..... D4/138  
 8,404,053 B2 \* 3/2013 Prince ..... A46B 3/18  
 134/6  
 8,567,000 B2 \* 10/2013 Kubo ..... A46B 5/02  
 132/321  
 9,167,882 B2 \* 10/2015 Stefanson ..... A61C 15/00  
 D756,125 S \* 5/2016 Hsu ..... D4/111  
 9,420,873 B2 \* 8/2016 Gordon ..... A46B 9/02  
 2004/0200748 A1 \* 10/2004 Klassen ..... A46B 5/02  
 206/368  
 2005/0037316 A1 \* 2/2005 Sholder ..... A61C 15/00  
 433/119  
 2005/0257338 A1 \* 11/2005 Brandli ..... A46B 9/021  
 15/106  
 2006/0254609 A1 \* 11/2006 Kuo ..... A46B 5/02  
 132/321  
 2007/0102313 A1 \* 5/2007 Kuo ..... A61C 15/00  
 206/369  
 2008/0149127 A1 \* 6/2008 Rebours ..... A45D 34/042  
 132/218  
 2010/0163073 A1 \* 7/2010 Lyngstadaas ..... A46B 3/18  
 134/8

2010/0205760 A1 \* 8/2010 Alvarenga ..... A46B 7/08  
 15/167.1  
 2010/0236567 A1 \* 9/2010 Carroll ..... A45D 40/264  
 132/200  
 2014/0304933 A1 \* 10/2014 Huang ..... A61C 15/00  
 15/167.1  
 2015/0000699 A1 \* 1/2015 Kelsey ..... A61C 19/063  
 134/6  
 2015/0071695 A1 \* 3/2015 Kamm ..... A46B 3/18  
 401/118  
 2015/0327654 A1 \* 11/2015 Pires ..... A45D 40/262  
 401/118  
 2015/0374109 A1 \* 12/2015 Wilson ..... A46B 9/025  
 15/160  
 2015/0374115 A1 \* 12/2015 Wilson ..... A46B 3/005  
 300/21  
 2016/0113743 A1 \* 4/2016 Lu ..... A61C 15/00  
 15/167.2

FOREIGN PATENT DOCUMENTS

CN 303279044 \* 7/2015  
 JP D1136440 \* 3/2002  
 JP D1483851 \* 11/2013  
 JP D1537036 \* 11/2015

\* cited by examiner

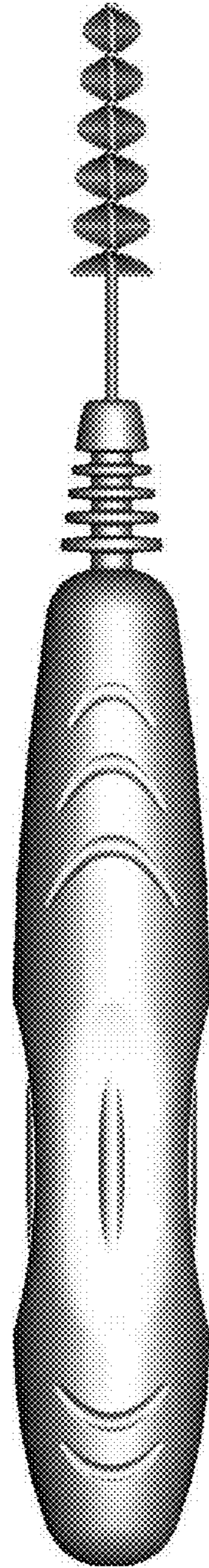


FIG.1

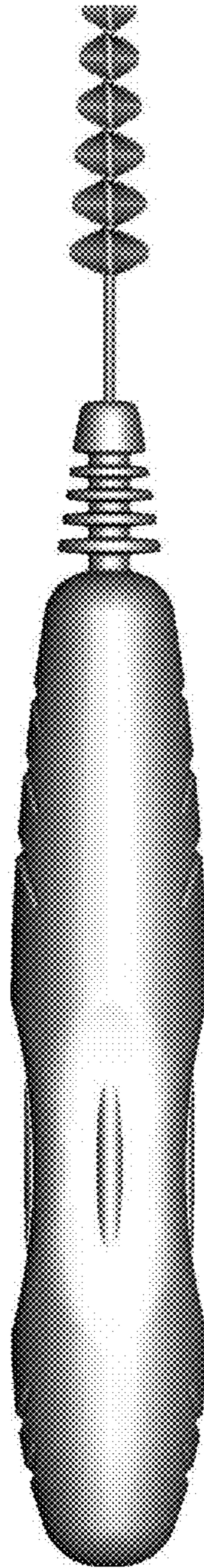


FIG.2

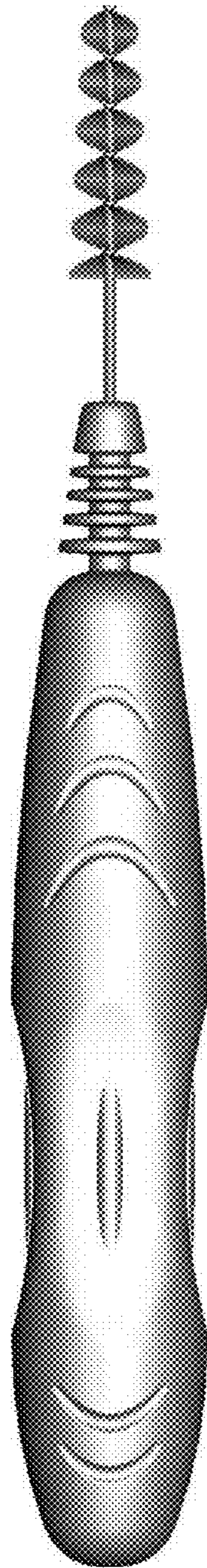


FIG.3

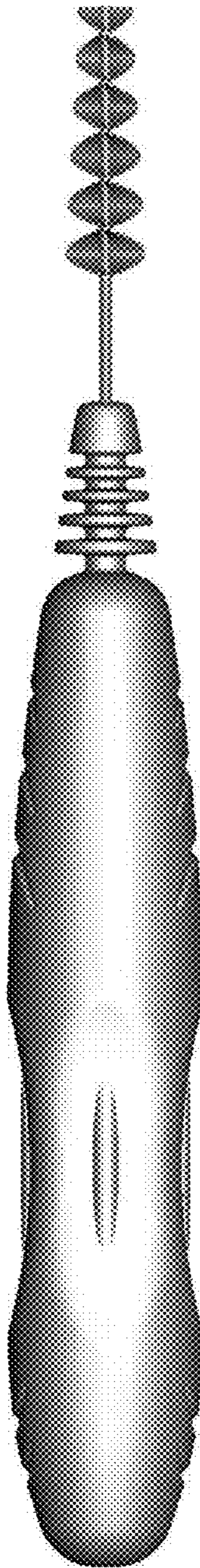


FIG.4

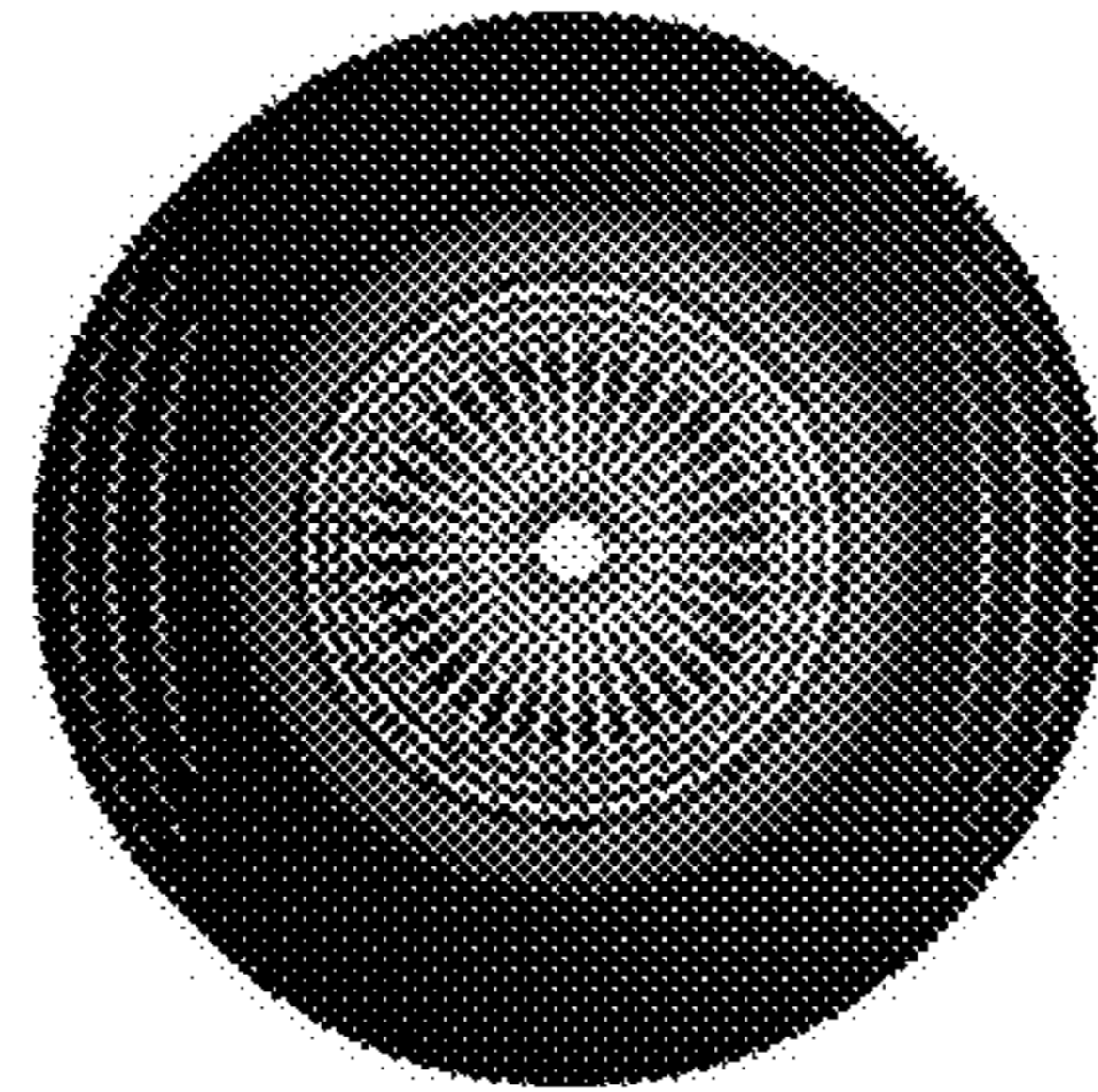


FIG.5

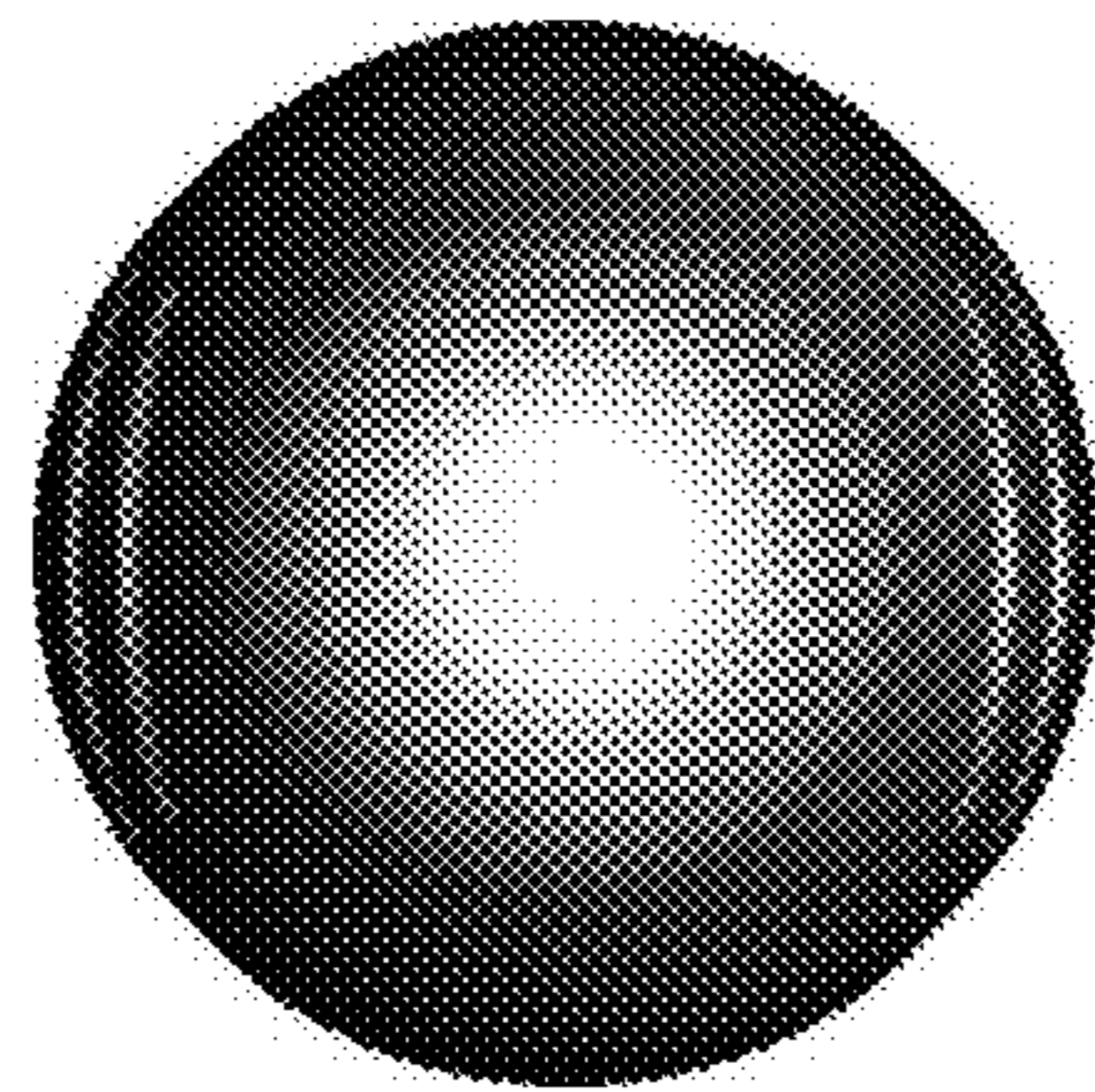


FIG.6



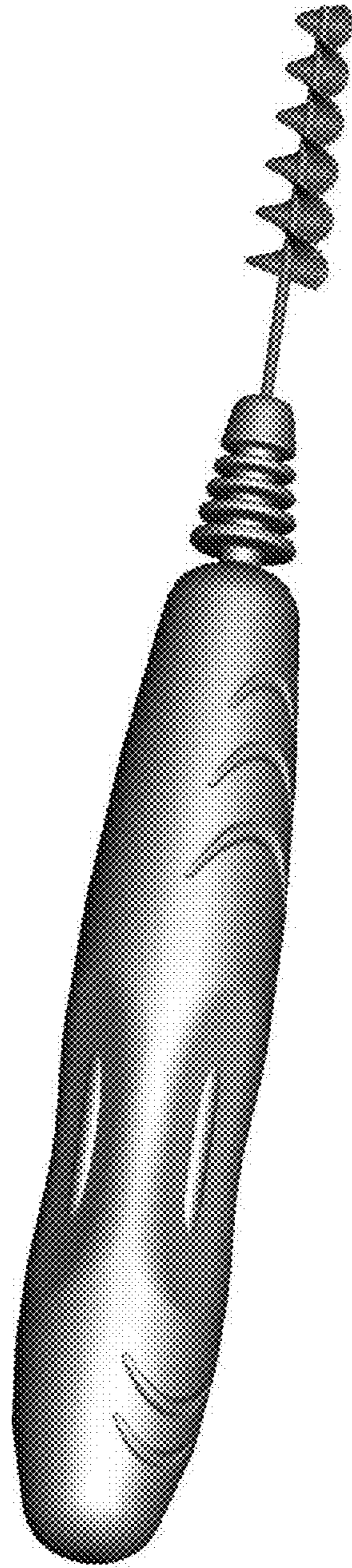


FIG.7

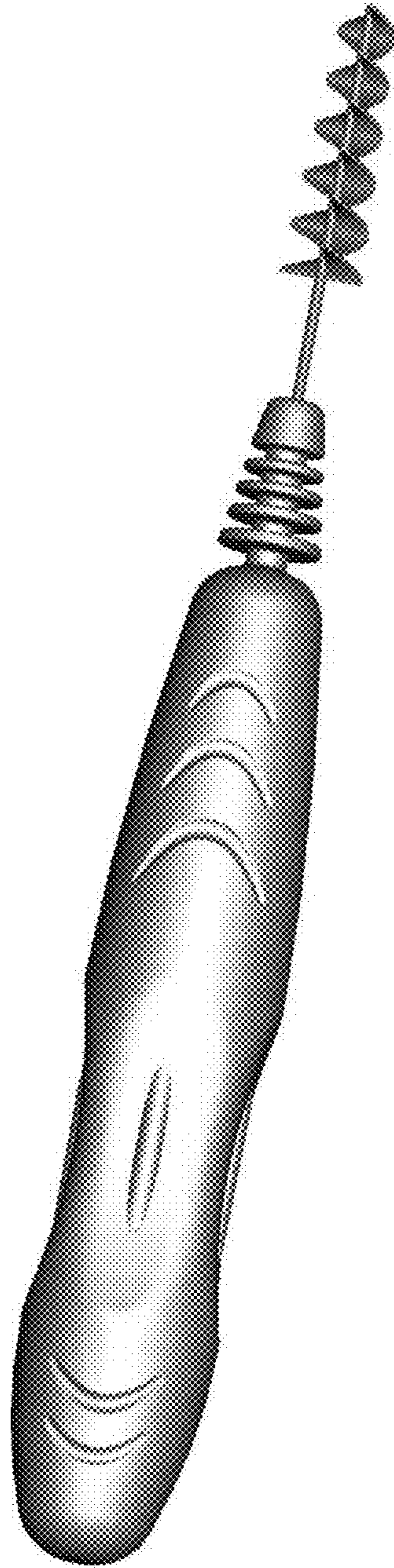


FIG.8