



US00D777442S

(12) **United States Design Patent**
White et al.

(10) **Patent No.:** **US D777,442 S**
(45) **Date of Patent:** **** Jan. 31, 2017**

(54) **ELECTROLYTIC BRUSH**
(71) Applicant: **Ensitech IP Pty Limited**, Emu Plains (AU)
(72) Inventors: **Clive Stuart White**, Faulconbridge (AU); **Mark Robert Fischer**, Cabramatta (AU); **Franco Fornesari**, Springwood (AU)
(73) Assignee: **ENSITECH IP PTY LIMITED** (AU)
(**) Term: **14 Years**
(21) Appl. No.: **29/508,800**
(22) Filed: **Nov. 11, 2014**
(30) **Foreign Application Priority Data**

May 12, 2014 (AU) 12270/2014
(51) **LOC (10) Cl.** **04-02**
(52) **U.S. Cl.**
USPC **D4/100**; D4/199
(58) **Field of Classification Search**
USPC D4/100, 199, 138, 137, 127, 121, 114, D4/115; 205/640, 648, 650, 651, 652, 205/668, 670, 671, 653, 654, 656, 658, 205/660, 663, 686, 672, 704-711, 687, 205/693, 717-722, 736; 204/224 M, 204/224 R, 271, 237, 225, 196.01, 204/194.404, 196.28, 196.38, 208, 210, 204/213, 216, 272, 275.1, 277, 285, 204/297.1, 297.13-297.15; 219/119, 120, 219/121.13, 137.2, 137.63, 138, 145.1, 219/224, 85.16, 117.1; D24/144, 146, D24/152, 176, 182, 187, 233; 29/81.12-81.17, 81.01, 81.05, 81.08; 173/168-169; 438/748; 15/97.1, 1; D8/29.1, 30, 61, 62, 90, 51, 105
CPC C25F 1/00; C25F 3/00-3/06; C25F 3/12-3/16; C25F 3/24; C25F 5/00; C25F 7/00; B23H 1/00; B23H 1/04; B23H 3/00; B23H 3/04; B23H 5/00; B23H 5/02; B23H 5/06; B23H 5/08; B23H 5/10; B23H 7/00; B23H 7/12; B23H

7/22; B23H 7/26; B23H 9/00; B23H 9/001; B23H 9/02; C25D 17/10; C25D 17/14; C25D 17/16; C25D 11/00; C25D 11/20; C25D 11/22; C25D 11/32; C25D 11/028; C25D 11/02; C25D 11/022; C25D 11/34; C25D 11/36; C25D 11/38; C25D 11/005; C25D 15/02; C25D 5/00; C25D 5/003; C25D 5/006; C25D 5/02; C25D 5/04; C25D 5/06; C25D 5/10-5/56; C25D 7/00; C25D 9/08; C25D 9/10; B08B 1/00; B08B 1/001; B08B 1/002; B08B 1/008; B08B 1/04; B08B 6/00; B08B 7/0014; B08B 7/0035; B08B 7/0085; B08B 7/04; B08B 7/02; B08B 7/022; B08B 13/00; B08B 2203/00; B08B 2240/00; F28G 13/00; B01J 19/00; B01J 19/0086; B01J 19/08; B23K 11/10; B23K 11/185; B23K 11/30; B23K 11/3018; B23K 35/0205; B25F 5/02
See application file for complete search history.

(56) **References Cited**
U.S. PATENT DOCUMENTS
1,024,126 A * 4/1912 Fletcher B23B 31/202 279/42
(Continued)

OTHER PUBLICATIONS
Waterwood Replacement part 60A Welding Electrode Tip for Plasma Cutting Torch, www.amazon.com/Replacement-Welding-Electrode-Cutting-Cleaning/dp/B00Q87WEY4, Nov. 2014, 1 page.*

Primary Examiner — Susan Moon Lee
(74) *Attorney, Agent, or Firm* — Galgano IP Law PLLC; Thomas M. Galgano; Jessica G. McDonald

(57) **CLAIM**
The ornamental design for an electrolytic brush, as shown and described.

DESCRIPTION
FIG. 1 is a front perspective view of the electrolytic brush showing the design;
(Continued)

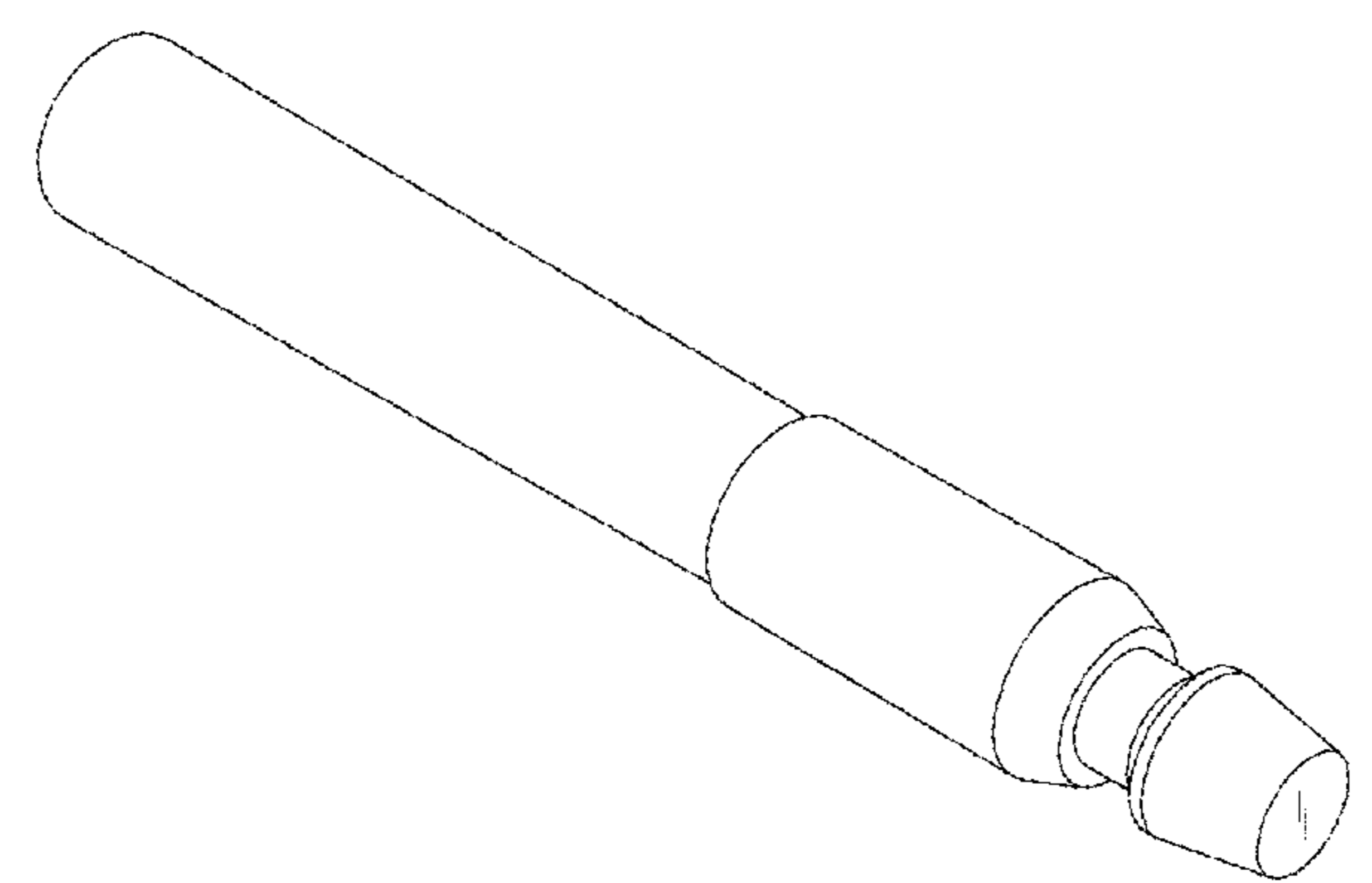


FIG. 2 is a rear perspective view; and,
FIG. 3 is a side view thereof, other side views are identical.

1 Claim, 3 Drawing Sheets

(56)

References Cited

U.S. PATENT DOCUMENTS

3,012,921 A * 12/1961 Vaughan B24C 3/322
134/102.1
3,043,946 A * 7/1962 Perrin B23K 35/0205
219/145.21
3,202,598 A * 8/1965 Covington B23H 9/00
204/224 M
3,451,490 A * 6/1969 Troike B08B 7/022
15/93.1
3,571,874 A * 3/1971 Von Arz B08B 7/022
173/169
3,779,887 A * 12/1973 Gildone C25D 5/06
204/224 R
3,937,055 A * 2/1976 Caruso B23P 9/04
173/132
3,958,944 A * 5/1976 Wong B01L 3/5082
215/227
4,079,223 A * 3/1978 Lee B23K 11/30
219/118
4,159,934 A 7/1979 Kadija
D257,553 S 11/1980 Hashimoto
4,345,136 A * 8/1982 Nippert B23K 35/0205
219/119
D269,493 S * 6/1983 Koturov D8/30
4,459,463 A * 7/1984 Knowles B23K 3/03
174/135
4,578,164 A * 3/1986 Matsui C25F 3/16
205/670
D295,017 S * 4/1988 Evenson D8/107
4,759,113 A * 7/1988 Hunkeler B23F 23/1212
409/11
4,760,235 A * 7/1988 Flater B23K 35/0205
219/119
4,788,407 A * 11/1988 Flater B23K 11/3018
137/614.11
4,795,292 A * 1/1989 Dye B23Q 1/0036
279/20
4,826,582 A * 5/1989 Lavalerie F28G 13/00
204/196.01
4,992,154 A 2/1991 Ida et al.
D325,498 S * 4/1992 Gismondi D8/30
5,159,174 A * 10/1992 Yeo B23K 35/0205
219/137 R
5,401,369 A 3/1995 Gershin
D370,126 S * 5/1996 Pfanstiehl D19/184
5,985,107 A 11/1999 McLaughlin
6,123,270 A * 9/2000 Hara B05B 7/02
239/422
D440,837 S * 4/2001 Hart D8/14
D501,632 S * 2/2005 Hewett D8/30
6,857,344 B1 * 2/2005 Diller B23B 29/03453
408/57
6,861,609 B2 * 3/2005 Sigler B23K 11/3009
219/117.1
6,883,809 B2 * 4/2005 Rohm B23B 31/1238
279/157
7,022,934 B1 * 4/2006 Pratt B23K 11/314
219/119

D519,821 S * 5/2006 Tsai D8/107
D536,451 S * 2/2007 Haydu D24/144
D574,617 S * 8/2008 Gamez D4/114
7,478,979 B2 * 1/2009 Zhou B23B 31/123
279/134
7,538,294 B2 * 5/2009 Scotchmer B23K 11/3009
219/119
D608,176 S 1/2010 Heidelberger
7,679,032 B2 * 3/2010 Masaki B23K 3/033
219/229
D616,101 S * 5/2010 Chronister D24/176
D616,989 S * 6/2010 Chronister D24/176
D619,438 S 7/2010 Lee
7,785,046 B2 * 8/2010 Beckington B23B 31/02
279/20
7,866,641 B1 * 1/2011 Switzer B23B 31/16291
269/20
D660,667 S * 5/2012 Miyazaki D8/30
D666,670 S * 9/2012 Dehne D19/108
D667,052 S * 9/2012 Bolton D19/184
D667,053 S * 9/2012 Bolton D19/184
D667,117 S * 9/2012 Darian D24/144
D676,965 S * 2/2013 Sibhatu D24/152
D687,278 S * 8/2013 Konishi D8/51
D694,412 S * 11/2013 Chronister D24/176
D704,336 S * 5/2014 Chon D24/133
9,044,251 B2 * 6/2015 Schwarz A61B 17/162
D739,696 S * 9/2015 Miyazaki D8/30
D744,096 S * 11/2015 van Dullemen D24/133
2003/0020242 A1 * 1/2003 Mack B23B 31/1238
279/60
2004/0004329 A1 * 1/2004 Schroeder B23B 31/1253
279/60
2006/0113318 A1 * 6/2006 May A45D 34/04
222/94
2006/0124472 A1 * 6/2006 Rokicki C25F 3/16
205/640
2007/0034223 A1 * 2/2007 Dumler A45D 40/262
132/218
2007/0235323 A1 * 10/2007 Lapelosa C25D 17/14
204/196.01
2008/0078749 A1 * 4/2008 Sigler B23B 5/166
219/119
2008/0287739 A1 * 11/2008 Smith A61M 25/0105
600/131
2009/0211047 A1 * 8/2009 Chen A46D 1/00
15/207.2
2009/0255822 A1 * 10/2009 Fujii B23H 1/04
205/131
2010/0025383 A1 * 2/2010 Tiberghien B23K 11/115
219/119
2011/0061186 A1 * 3/2011 Questiaux A46B 5/0095
15/22.1
2011/0094999 A1 * 4/2011 Schroth B23K 11/115
219/117.1
2015/0196977 A1 * 7/2015 Hughes B23K 35/0205
219/145.21
2015/0231718 A1 * 8/2015 Tachibana B23H 5/08
205/654
2015/0231729 A1 * 8/2015 Yang B23K 35/0261
219/119
2015/0321282 A1 * 11/2015 Moision B23K 11/3018
219/120
2016/0129531 A1 * 5/2016 Hughes B23K 35/02
219/145.21
2016/0145763 A1 * 5/2016 Kim C25F 7/00
204/224 M

* cited by examiner

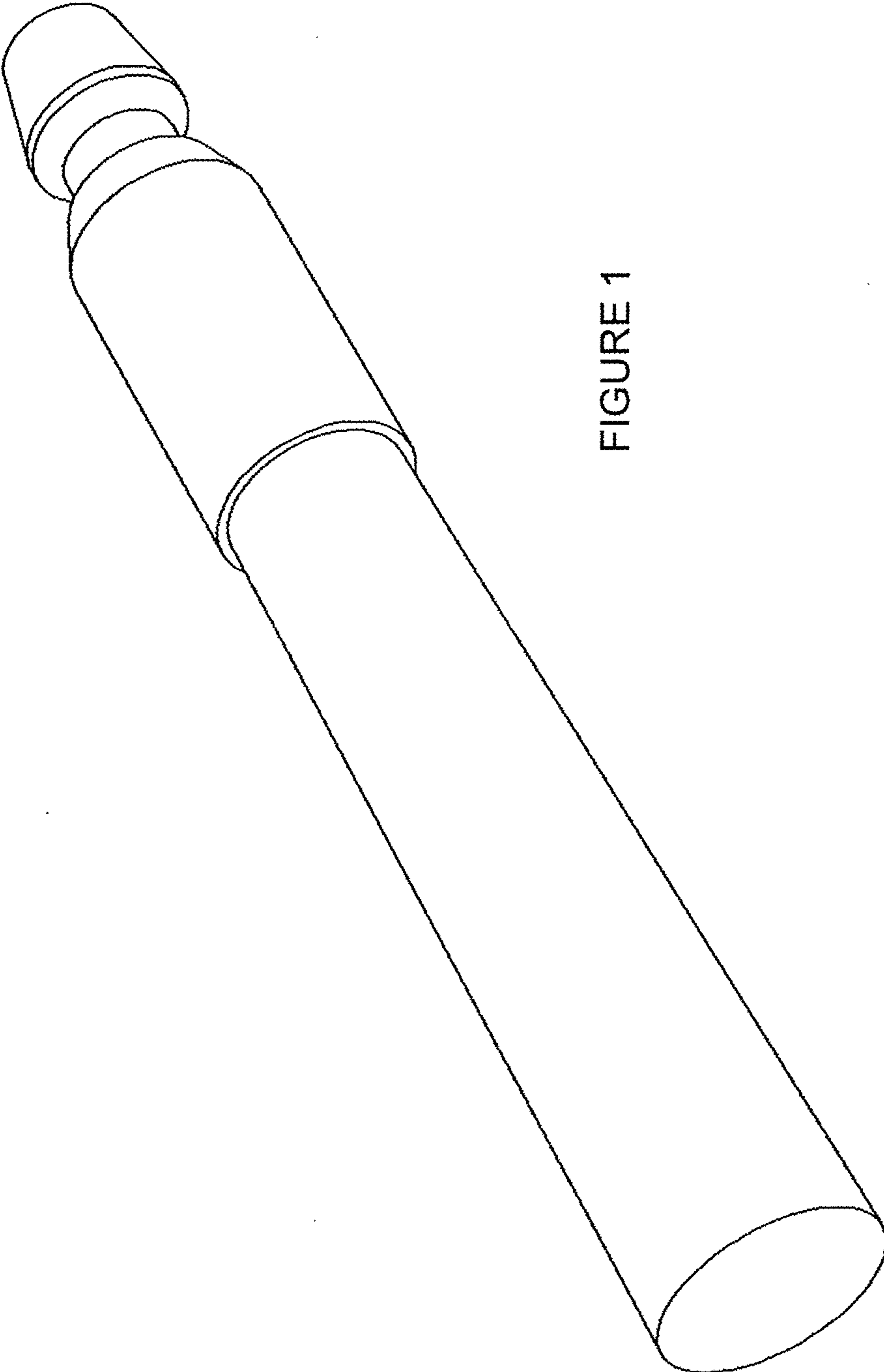


FIGURE 1

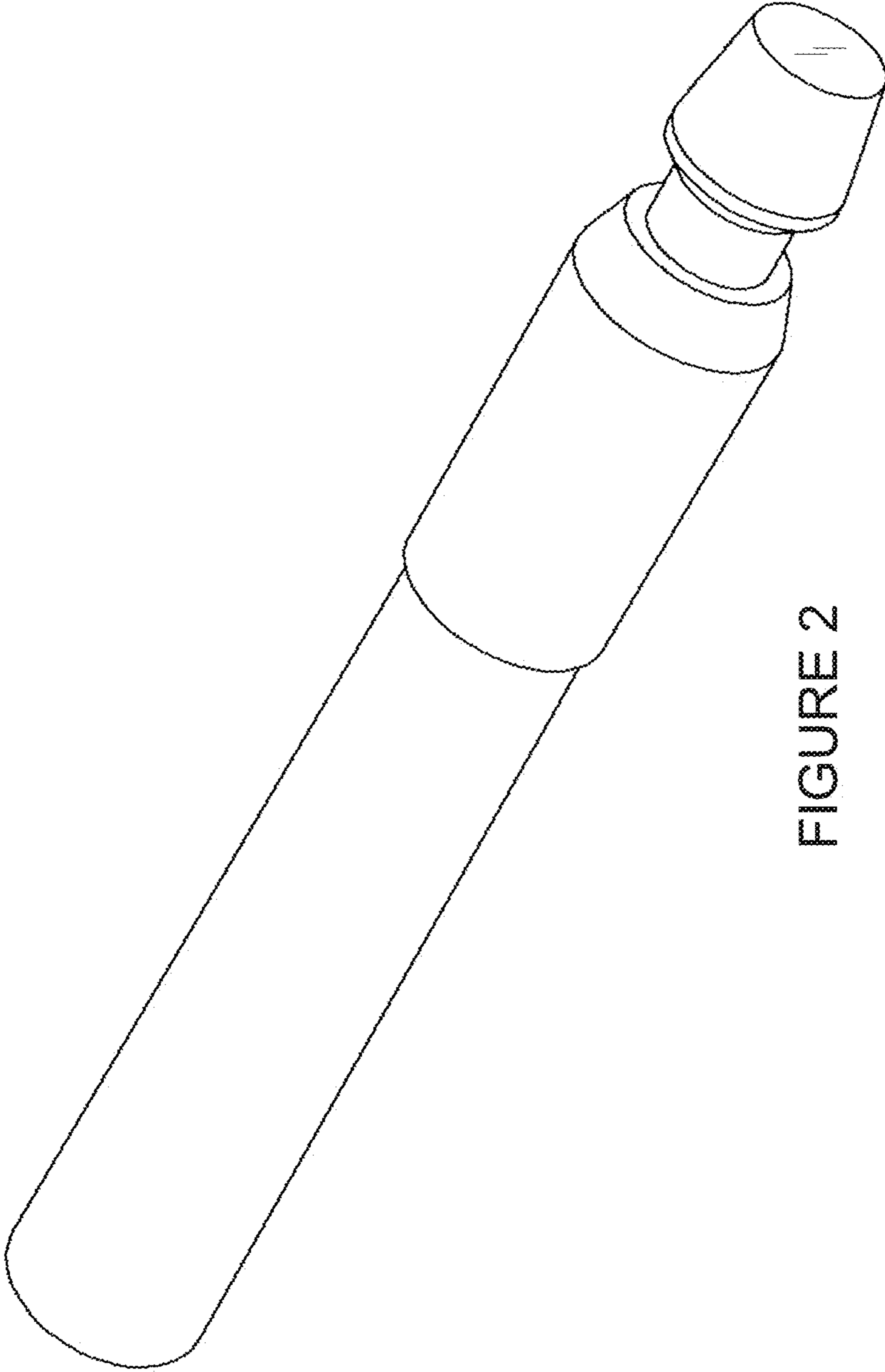


FIGURE 2

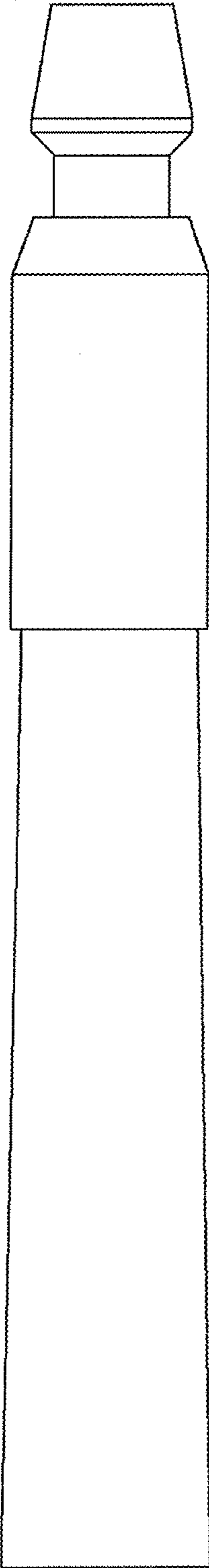


FIGURE 3