



US00D777441S

(12) **United States Design Patent** (10) **Patent No.:** **US D777,441 S**  
**Li** (45) **Date of Patent:** **\*\* Jan. 31, 2017**

(54) **LUGGAGE HANDLE**

D570,601 S \* 6/2008 Drew ..... D3/318  
D633,300 S \* 3/2011 Fair ..... D3/318  
2012/0152677 A1\* 6/2012 Lu ..... A45C 5/14  
190/18 A

(71) Applicant: **Shunyu Li**, Shanghai (CN)

(72) Inventor: **Shunyu Li**, Shanghai (CN)

\* cited by examiner

(\*\*) Term: **15 Years**

*Primary Examiner* — Holly Baynham

(21) Appl. No.: **29/544,025**

(74) *Attorney, Agent, or Firm* — Che-Yang Chen; Law Offices of Scott Warmuth

(22) Filed: **Oct. 29, 2015**

(57) **CLAIM**

(51) **LOC (10) Cl.** ..... **03-01**

The ornamental design for a luggage handle, as shown and described.

(52) **U.S. Cl.**

USPC ..... **D3/318**

(58) **Field of Classification Search**

USPC ..... D3/318

CPC ..... A45F 5/10; A45C 5/10

See application file for complete search history.

**DESCRIPTION**

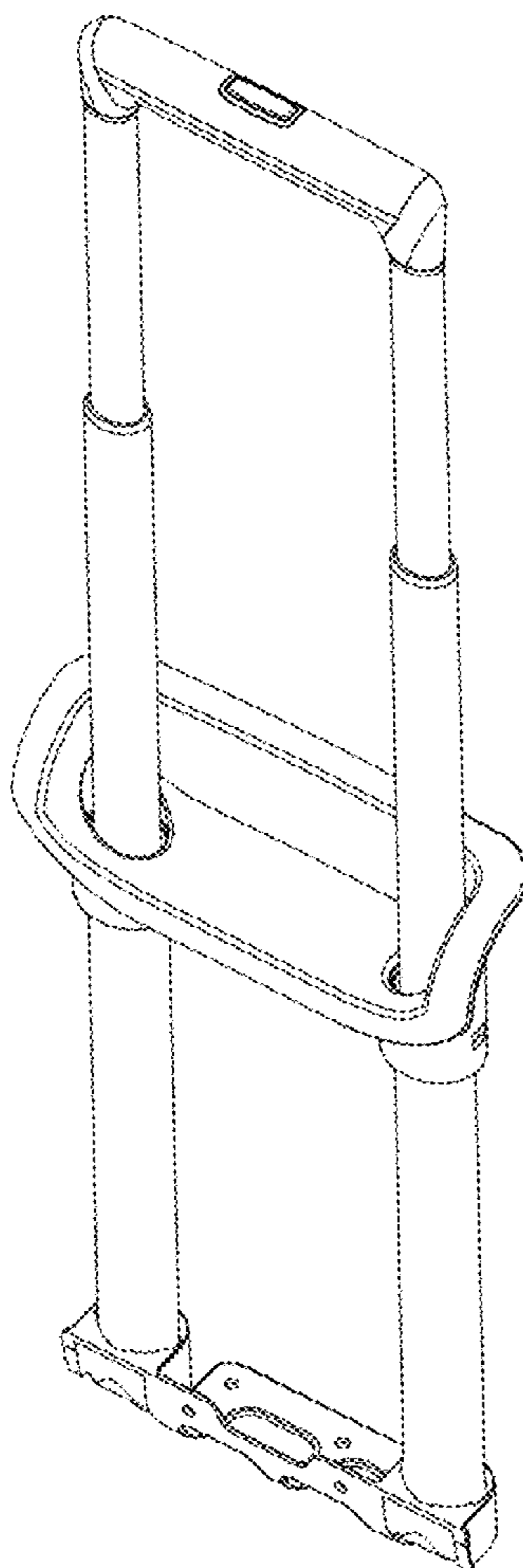
(56) **References Cited**

**U.S. PATENT DOCUMENTS**

D472,713 S \* 4/2003 Lee ..... D3/318  
D489,531 S \* 5/2004 Oh ..... D3/318  
D497,480 S \* 10/2004 Drew ..... D3/318

FIG. 1 is a perspective view of a luggage handle showing my new design;  
FIG. 2 is a front elevational view thereof;  
FIG. 3 is a rear elevational view thereof;  
FIG. 4 is a right side elevational view thereof;  
FIG. 5 is a left side elevational view thereof;  
FIG. 6 is a top plan view thereof; and,  
FIG. 7 is a bottom plan view thereof.

**1 Claim, 5 Drawing Sheets**



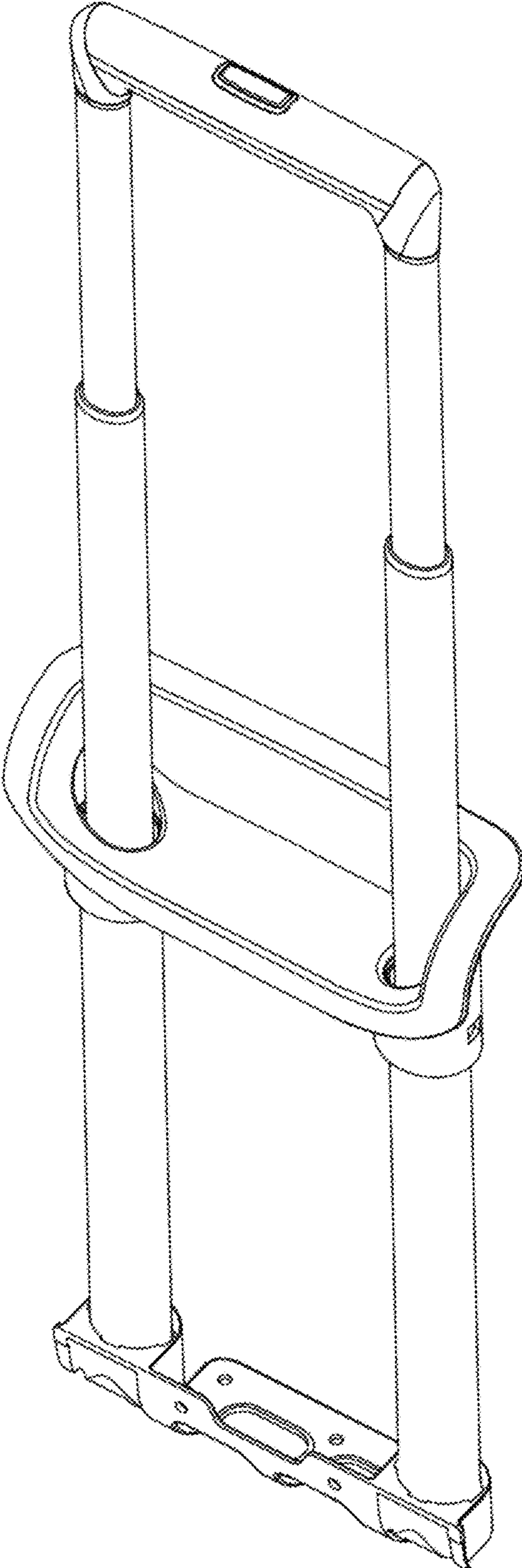


FIG. 1

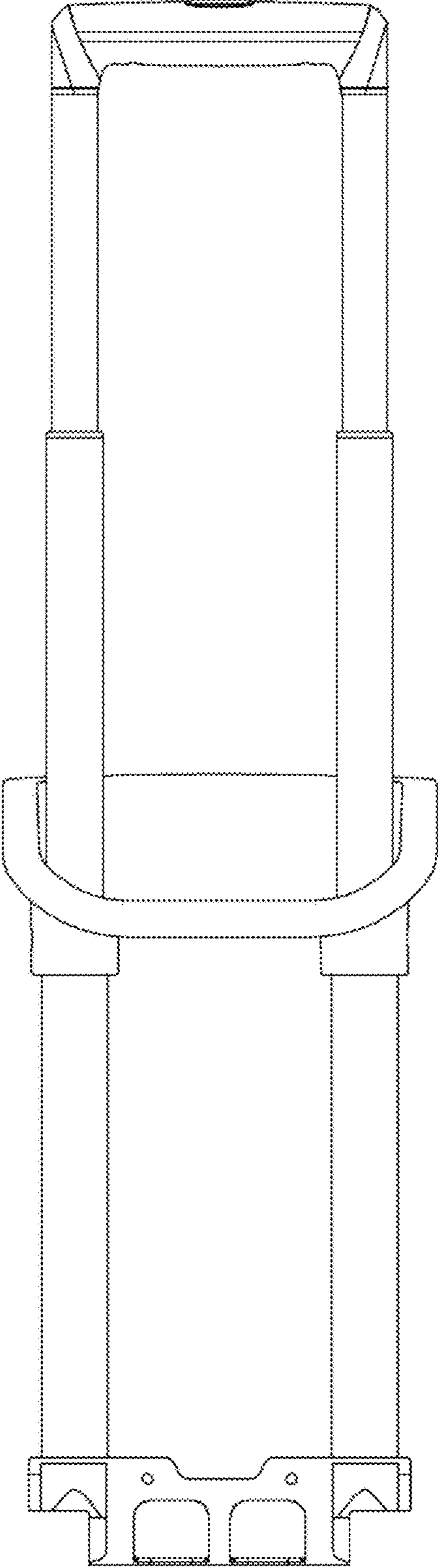


FIG. 2

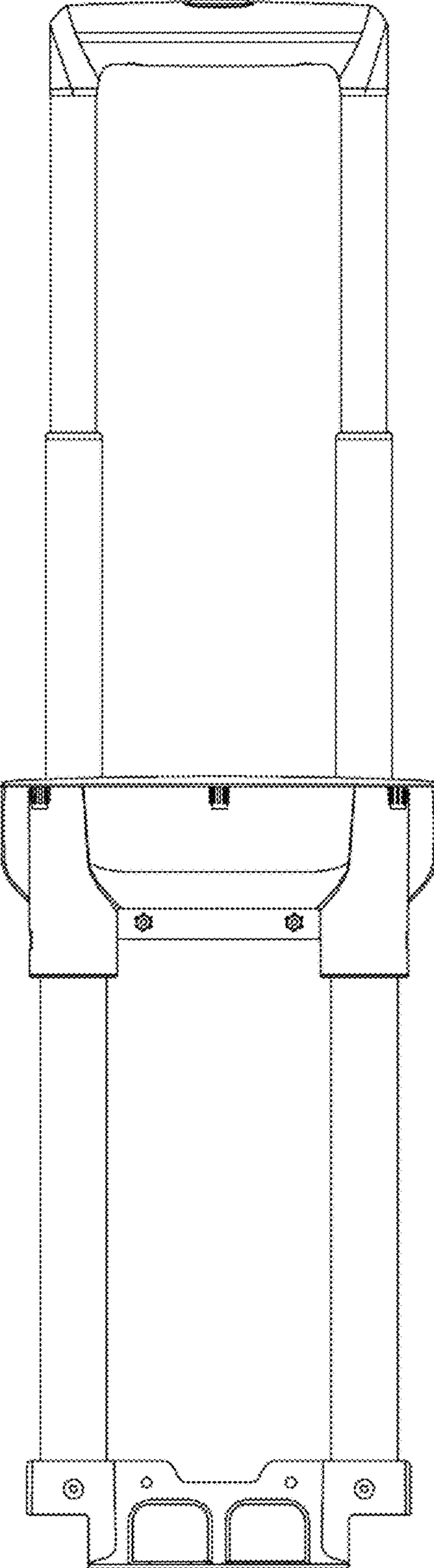


FIG. 3

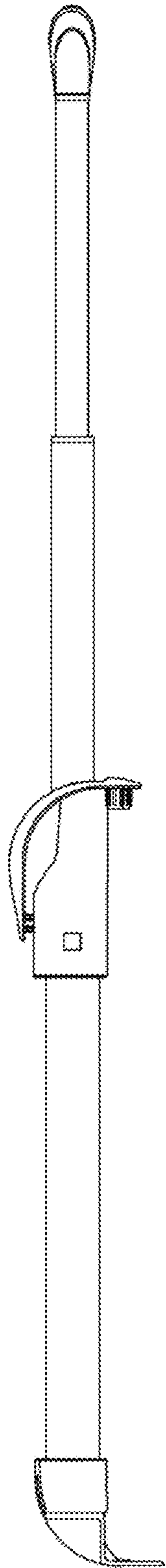


FIG. 4

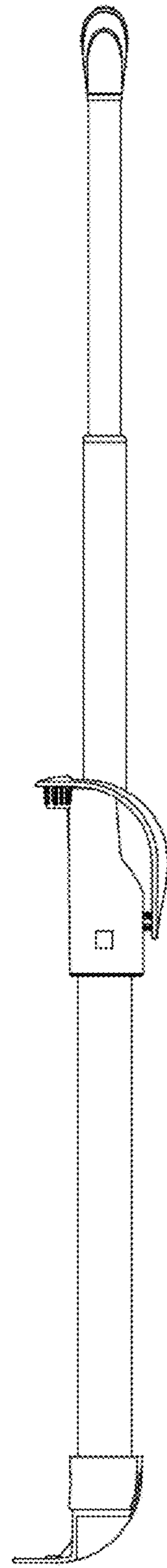


FIG. 5

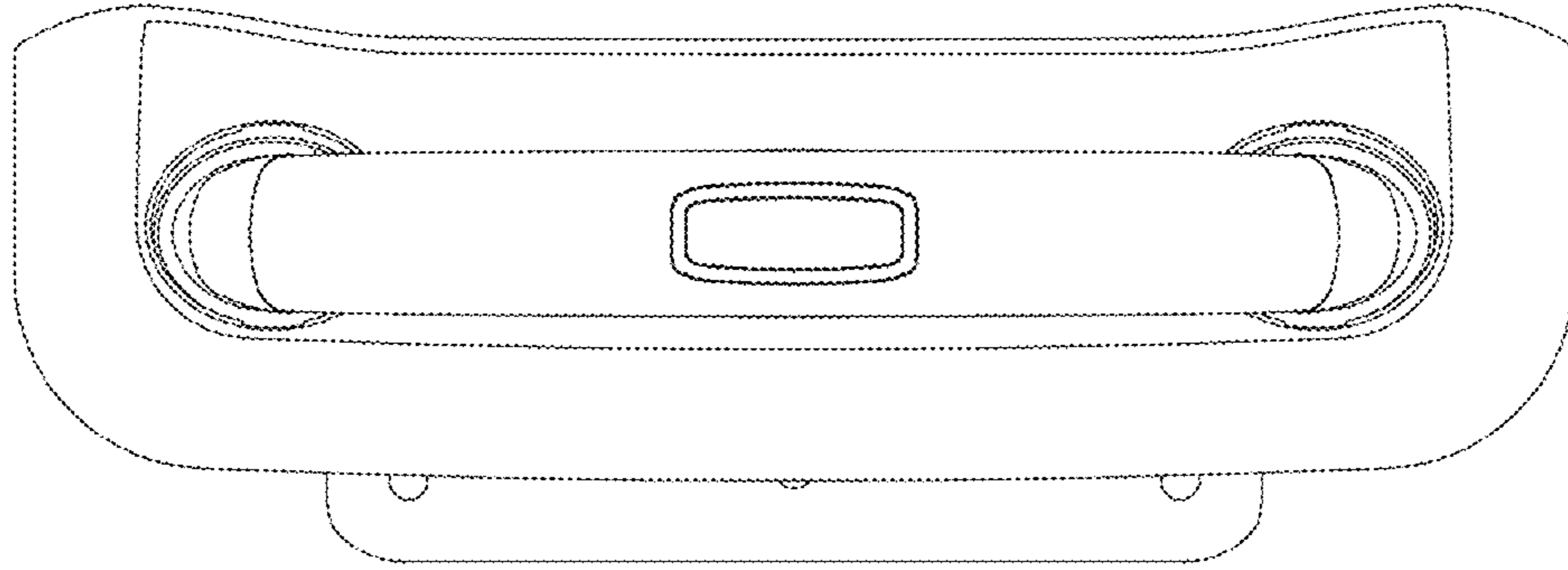


FIG. 6

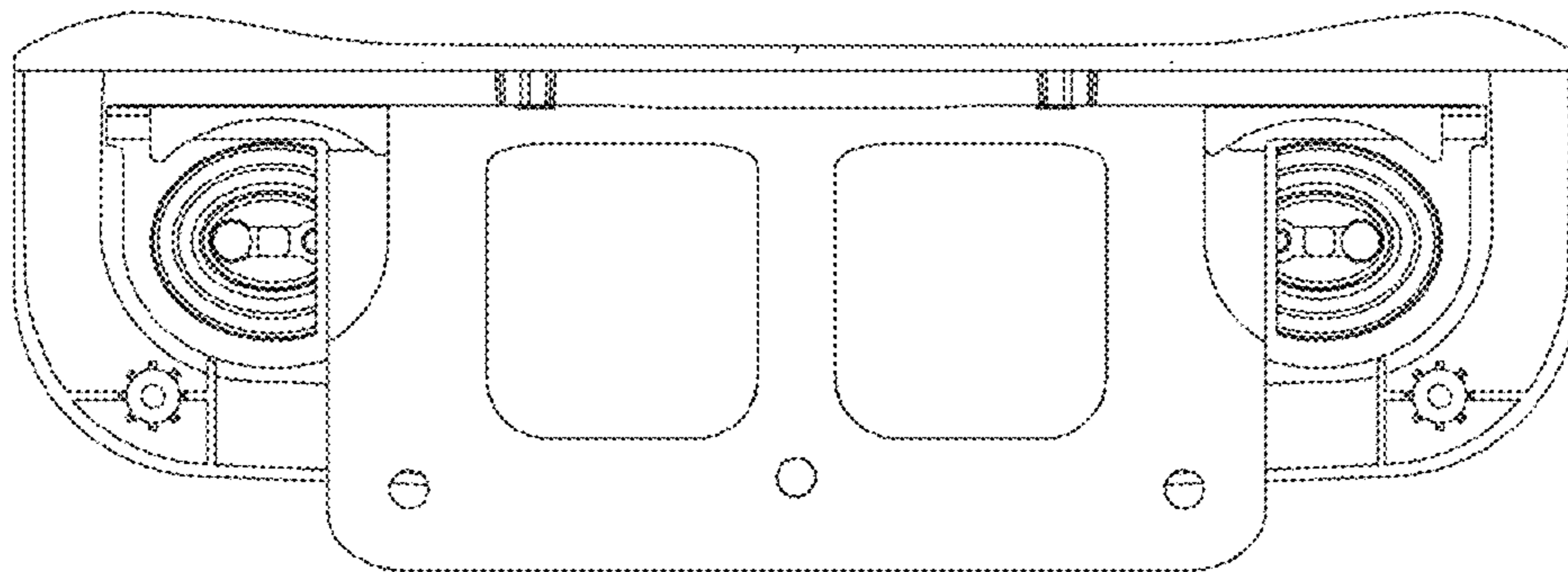


FIG. 7