



US00D777439S

(12) **United States Design Patent**  
**Jose**

(10) **Patent No.:** **US D777,439 S**  
(45) **Date of Patent:** **\*\* Jan. 31, 2017**

- (54) **EXTENSION HANDLE FOR A SUITCASE**
- (71) Applicant: **Boban Jose**, San Ramon, CA (US)
- (72) Inventor: **Boban Jose**, San Ramon, CA (US)
- (\*\*) Term: **15 Years**
- (21) Appl. No.: **29/529,445**
- (22) Filed: **Jun. 8, 2015**
- (51) **LOC (10) Cl.** ..... **03-01**
- (52) **U.S. Cl.**  
USPC ..... **D3/318**
- (58) **Field of Classification Search**  
USPC ..... D3/318  
CPC ..... A45C 13/26; A45C 5/14; B62B 7/00  
See application file for complete search history.

(56) **References Cited**

**U.S. PATENT DOCUMENTS**

6,301,746 B1 *	10/2001	Myers	.....	A45C 13/22 16/113.1
D457,320 S *	5/2002	Beedham	.....	D3/318
D527,183 S *	8/2006	Moon	.....	D3/318
D570,601 S *	6/2008	Drew	.....	D3/318
D699,438 S *	2/2014	Mathieu	.....	D3/318
D702,442 S *	4/2014	Liang	.....	D3/318
D716,556 S *	11/2014	Tong	.....	D3/318

\* cited by examiner

*Primary Examiner* — Holly Baynham  
(74) *Attorney, Agent, or Firm* — Law Office of Ilya Libenzon

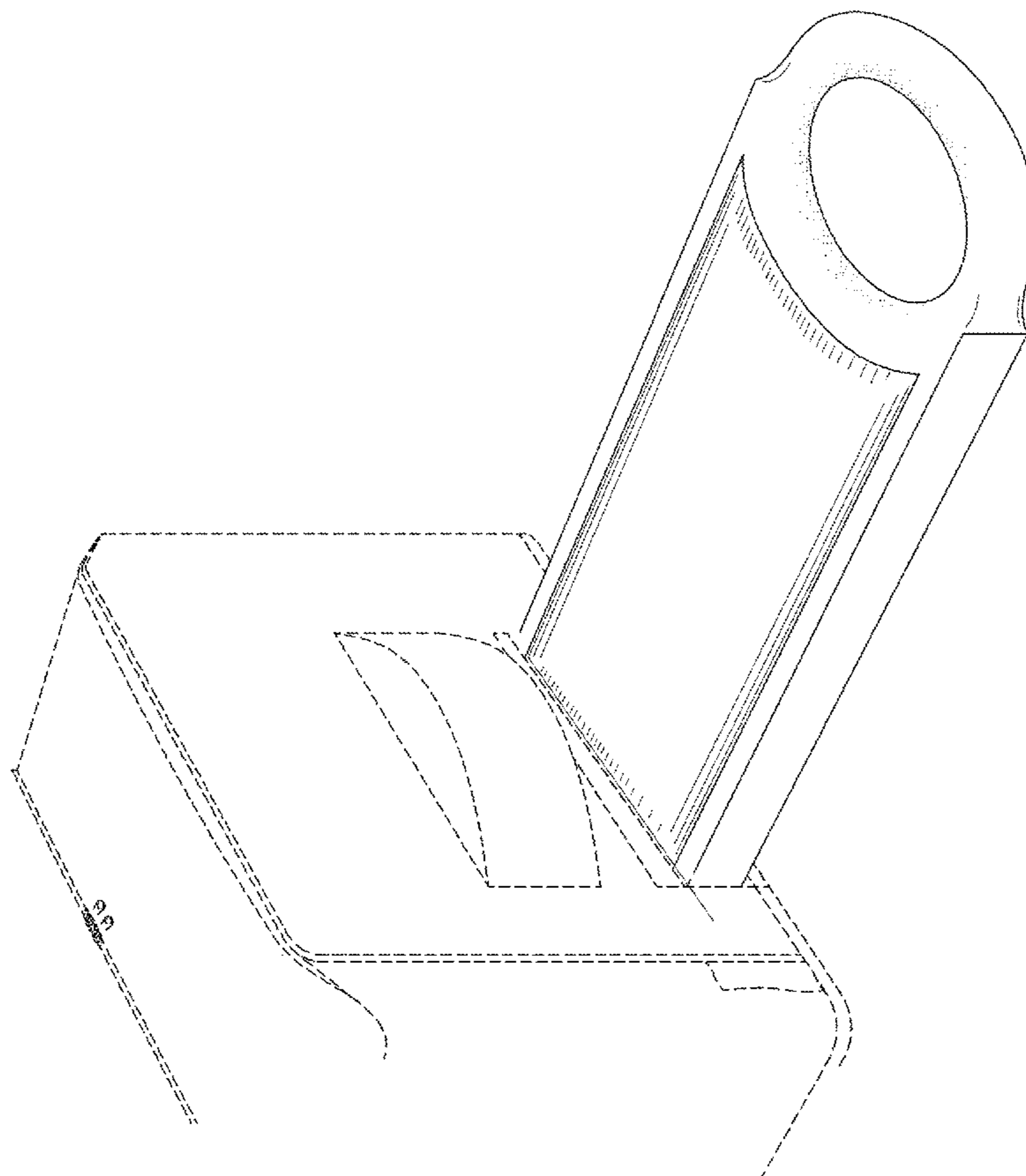
(57) **CLAIM**

What is claimed is the ornamental design for an extension handle for a suitcase, as shown and described.

**DESCRIPTION**

FIG. 1 is a perspective view of the extension handle according to the present invention;  
 FIG. 2 is a side view of the extension handle according to the present invention;  
 FIG. 3 is a side view of the extension handle according to the present invention;  
 FIG. 4 is a front view of the extension handle according to the present invention;  
 FIG. 5 is a back view of the extension handle according to the present invention; and,  
 FIG. 6 is a top view of the extension handle according to the present invention.  
 The broken lines showing portions of a suitcase are for the purposes of illustrating environment and form no part of the claimed design.

**1 Claim, 6 Drawing Sheets**



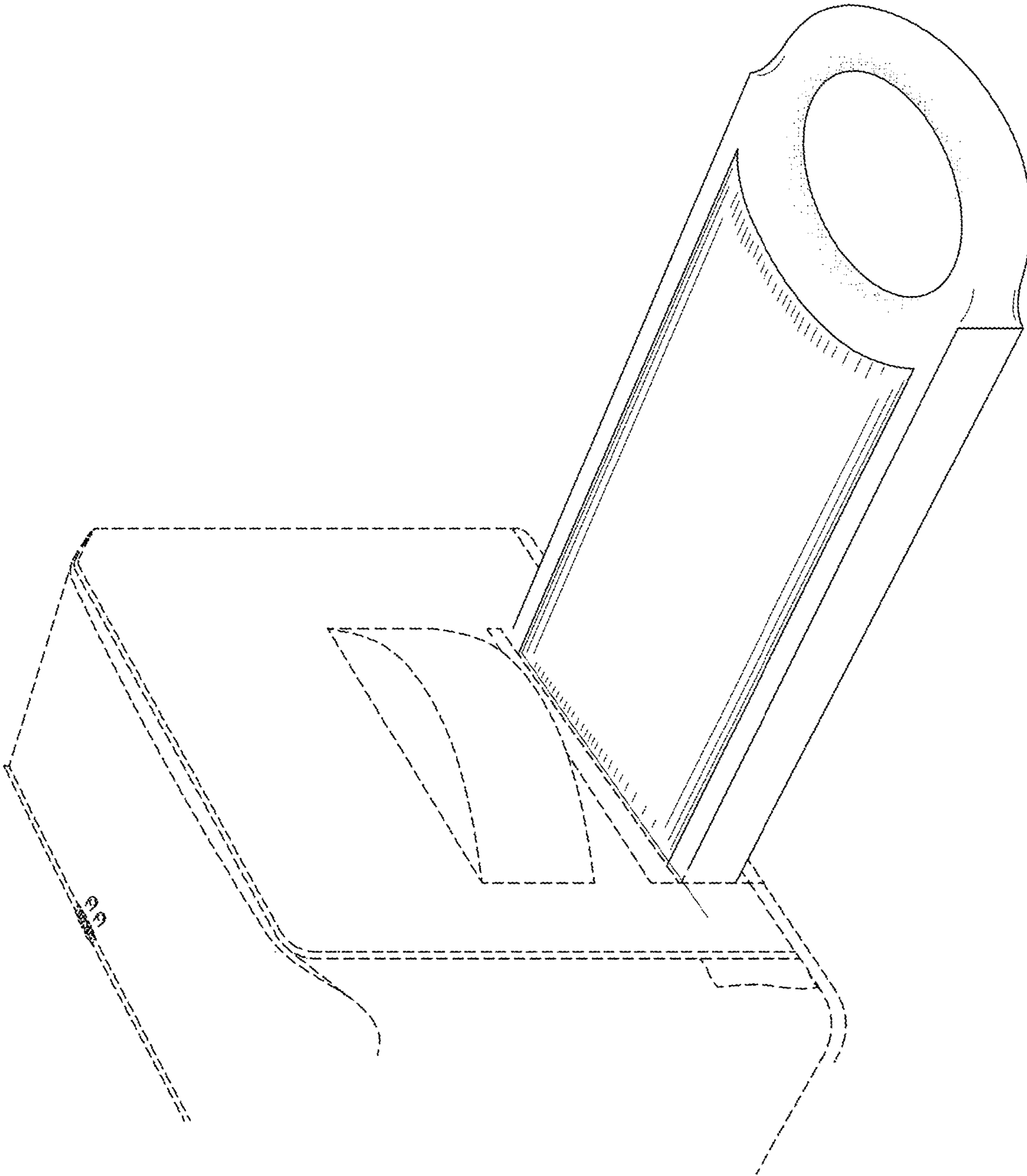


FIG. 1

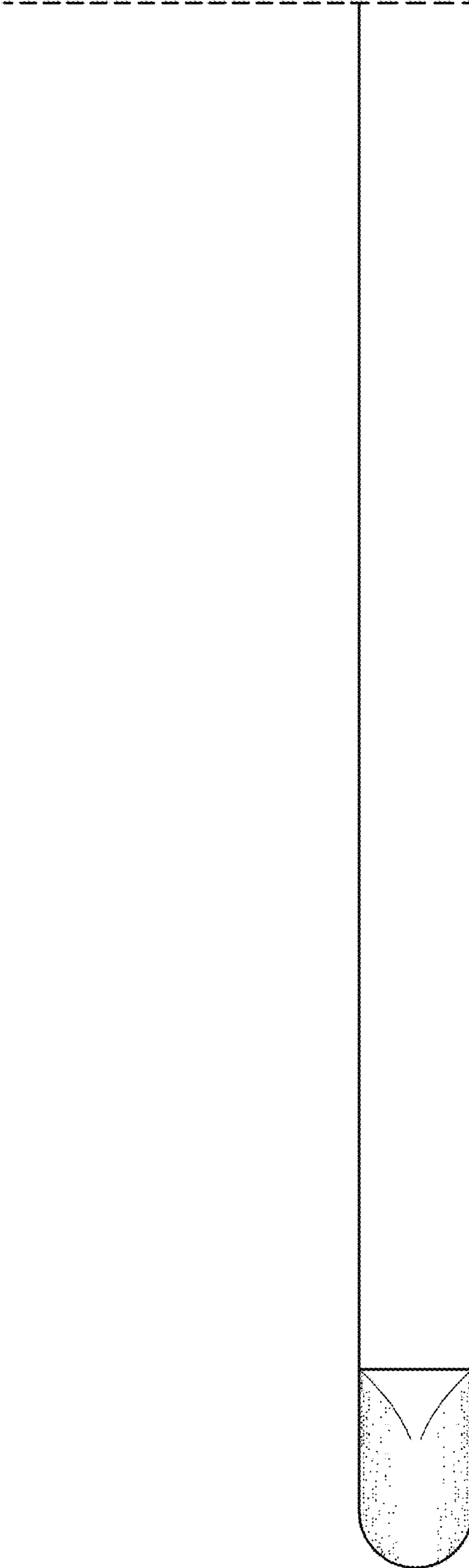


FIG. 2

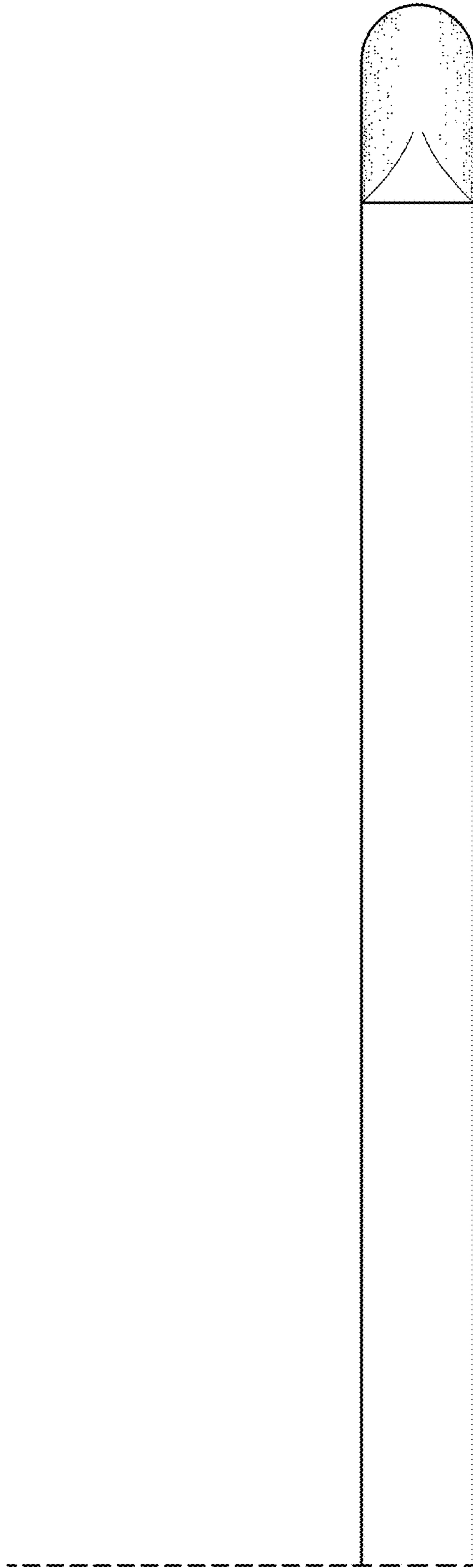


FIG. 3

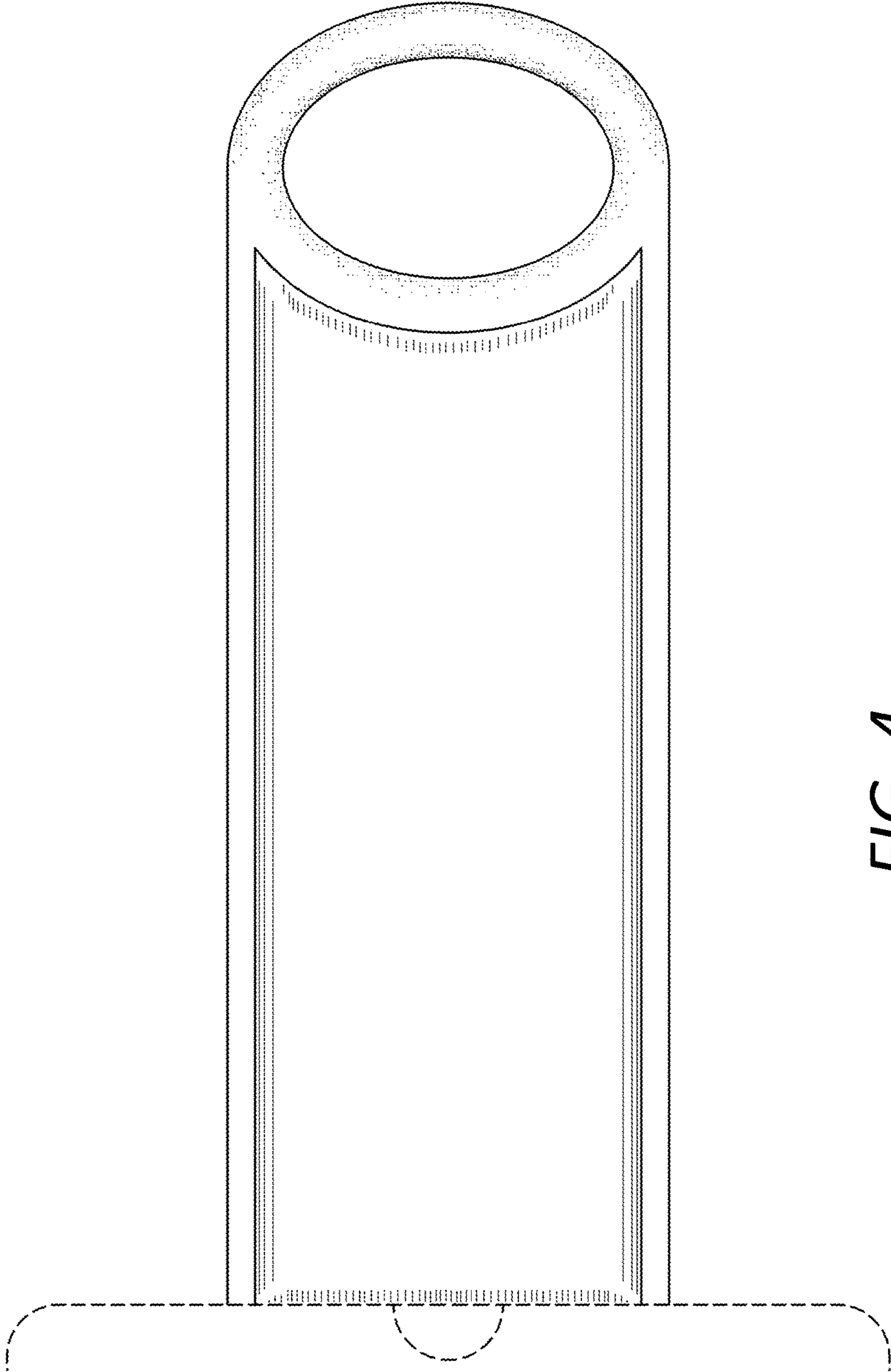


FIG. 4

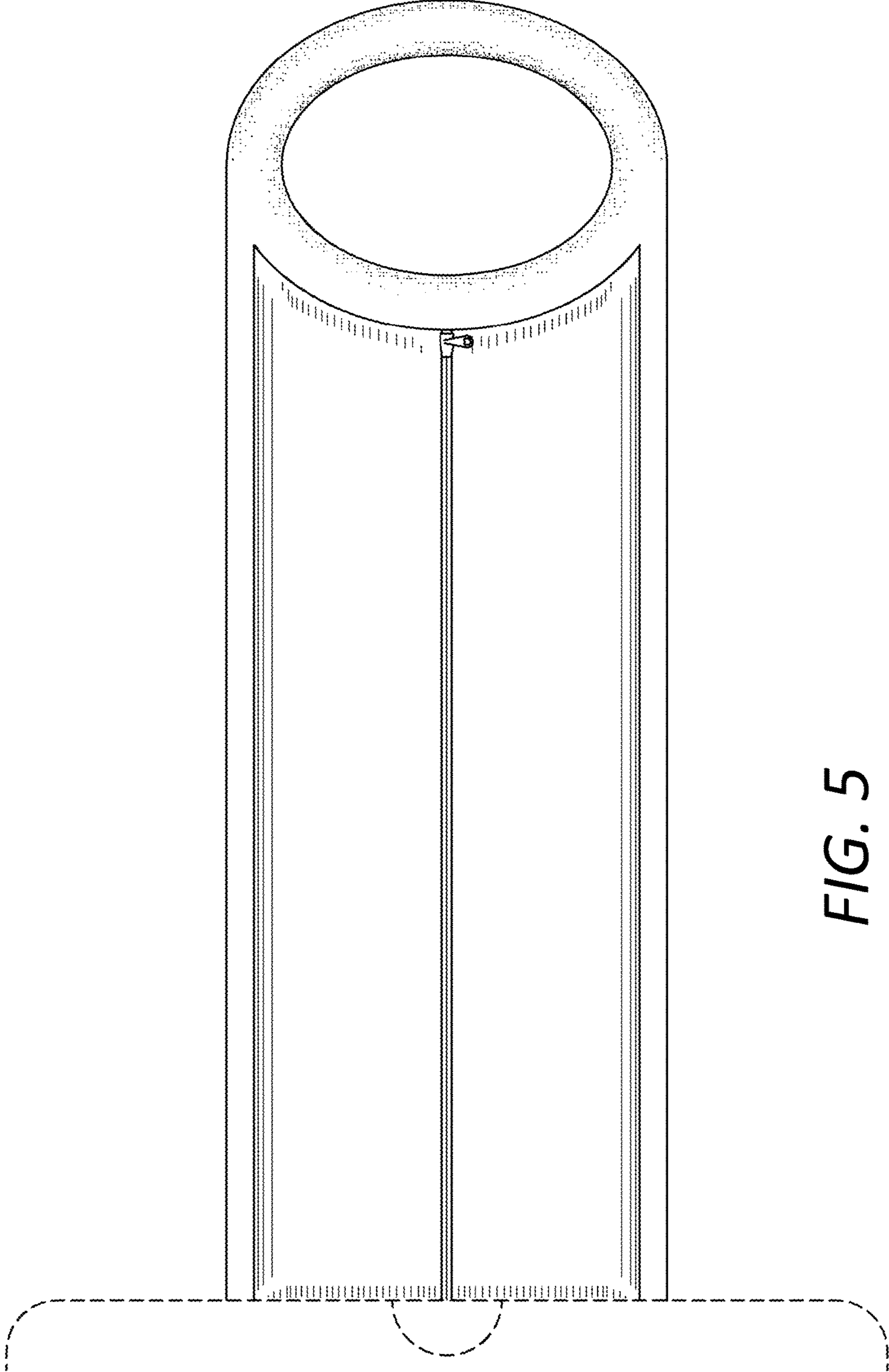


FIG. 5

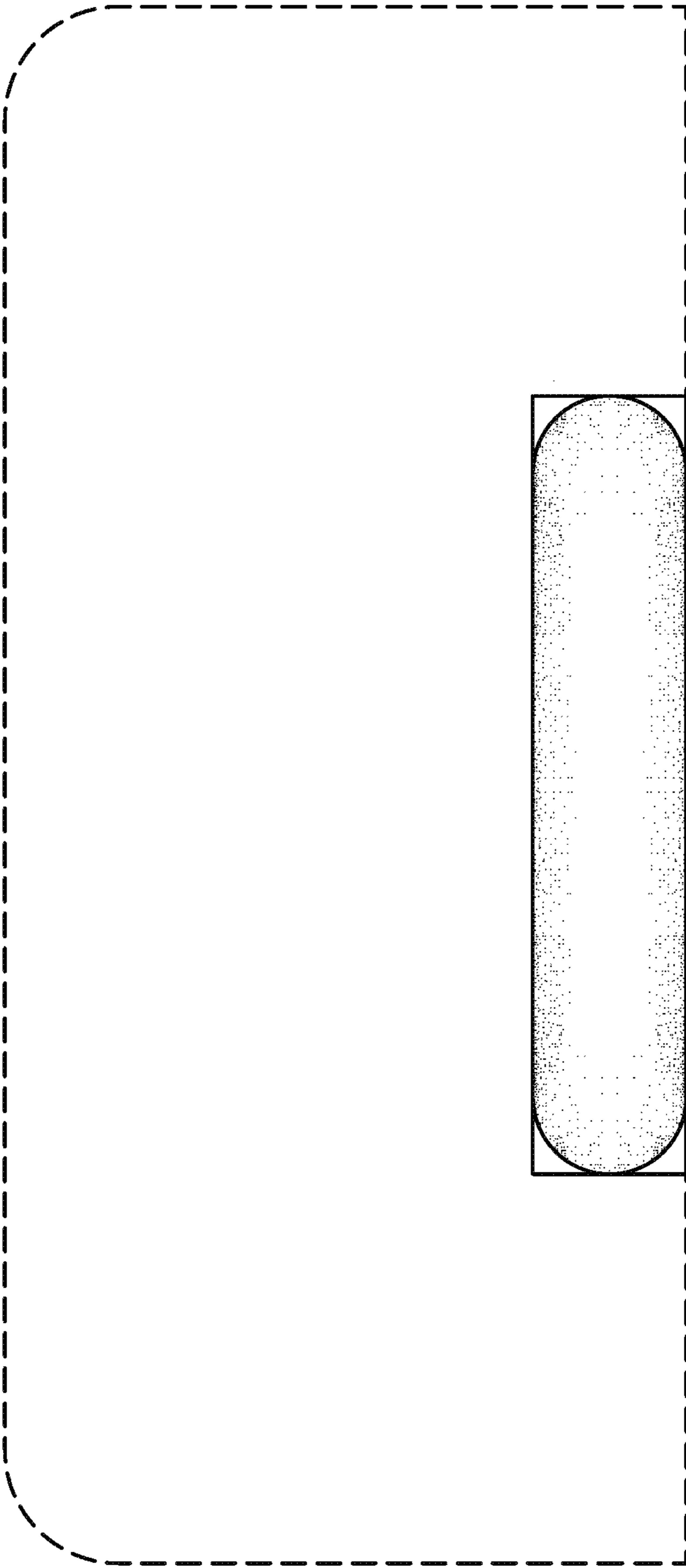


FIG. 6