



US00D777436S

(12) **United States Design Patent**  
**Kinskey**

(10) **Patent No.:** **US D777,436 S**  
(45) **Date of Patent:** **\*\* Jan. 31, 2017**

- (54) **SET OF POCKET CORNER CAPS**
- (71) Applicant: **LF Centennial Ltd.**, Road Town, Tortola (VG)
- (72) Inventor: **Terrence P. Kinskey**, Alpharetta, GA (US)
- (73) Assignee: **L. F. CENTENNIAL LTD.**, Tortola (VG)

5,628,080 A \* 5/1997 Quintile ..... A47C 19/021  
40/299.01  
D415,614 S \* 10/1999 Akaike ..... D3/272  
6,007,469 A \* 12/1999 Jaegers ..... B65D 65/44  
493/138  
D422,541 S \* 4/2000 Richter ..... D12/167  
D498,049 S \* 11/2004 Perella ..... D3/273  
D537,337 S \* 2/2007 Brockington ..... D8/499  
D573,013 S \* 7/2008 Lavelle ..... D8/403

(Continued)

(\*\*) Term: **14 Years**

(21) Appl. No.: **29/508,378**

(22) Filed: **Nov. 5, 2014**

(51) **LOC (10) Cl.** ..... **03-01**

(52) **U.S. Cl.**  
USPC ..... **D3/318**

(58) **Field of Classification Search**  
USPC ..... D3/201, 272, 273, 315, 318, 319, 322;  
D9/434, 654, 679, 717, 718;  
150/101-105, 150/154, 159; 206/453;  
D8/403  
CPC ..... A45F 3/00; A45F 3/04; A45F 3/042;  
A45F 3/005; A45C 5/02; A45C  
5/04; A45C 5/14; A45C 11/00; A45C  
2005/142; A45C 13/002  
See application file for complete search history.

(56) **References Cited**

**U.S. PATENT DOCUMENTS**

D37,561 S \* 9/1905 Clark ..... D8/403  
D253,506 S \* 11/1979 Vigue ..... D8/403  
D260,590 S \* 9/1981 Hobson ..... D8/403  
D271,070 S \* 10/1983 Durkee ..... D8/403  
4,496,054 A \* 1/1985 Koltun ..... B65D 81/056  
206/453  
4,529,091 A \* 7/1985 Martin ..... B65D 81/056  
206/453  
4,838,427 A \* 6/1989 Hurley ..... B29C 51/162  
206/326

**OTHER PUBLICATIONS**

HudsonGoodsBlog.com: Metal Trunk Dresser. Published May 4, 2010. Retrieved from the internet at <<http://www.hudsongoodsblog.com/metal-trunk-dresser/>>, Feb. 11, 2016. 10 pages.\*

*Primary Examiner* — Rosemary K Tarcza

*Assistant Examiner* — Christy Nemeth

(74) *Attorney, Agent, or Firm* — Duane Morris LLP; J. Rodman Steele, Jr.; Gregory M. Lefkowitz

(57) **CLAIM**

The ornamental design for set of pocket corner caps, as shown and described.

**DESCRIPTION**

FIG. 1 is a front, perspective view of a set of pocket corner caps;

FIG. 2 is a front view thereof;

FIG. 3 is a left side view thereof;

FIG. 4 is a right side view thereof;

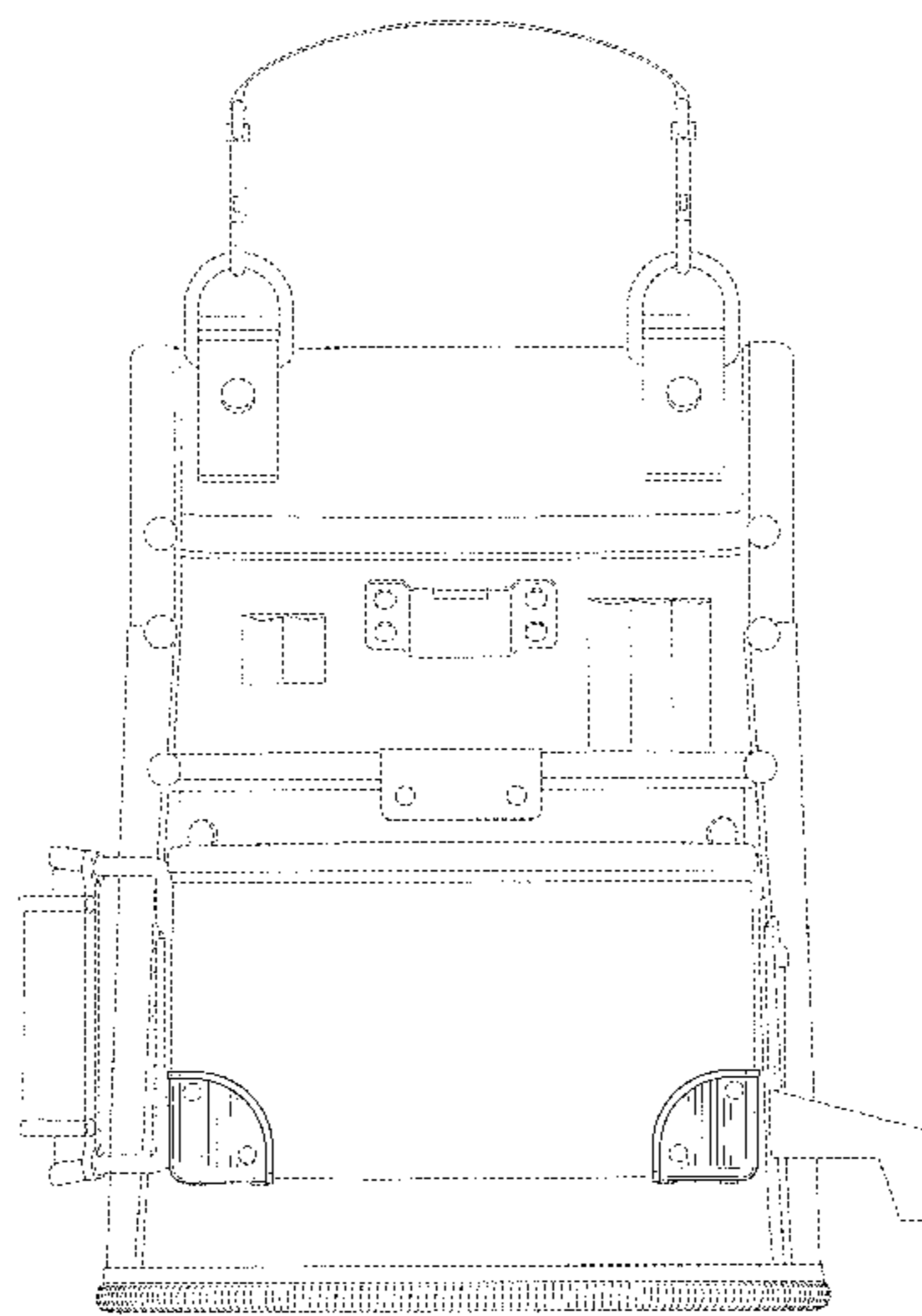
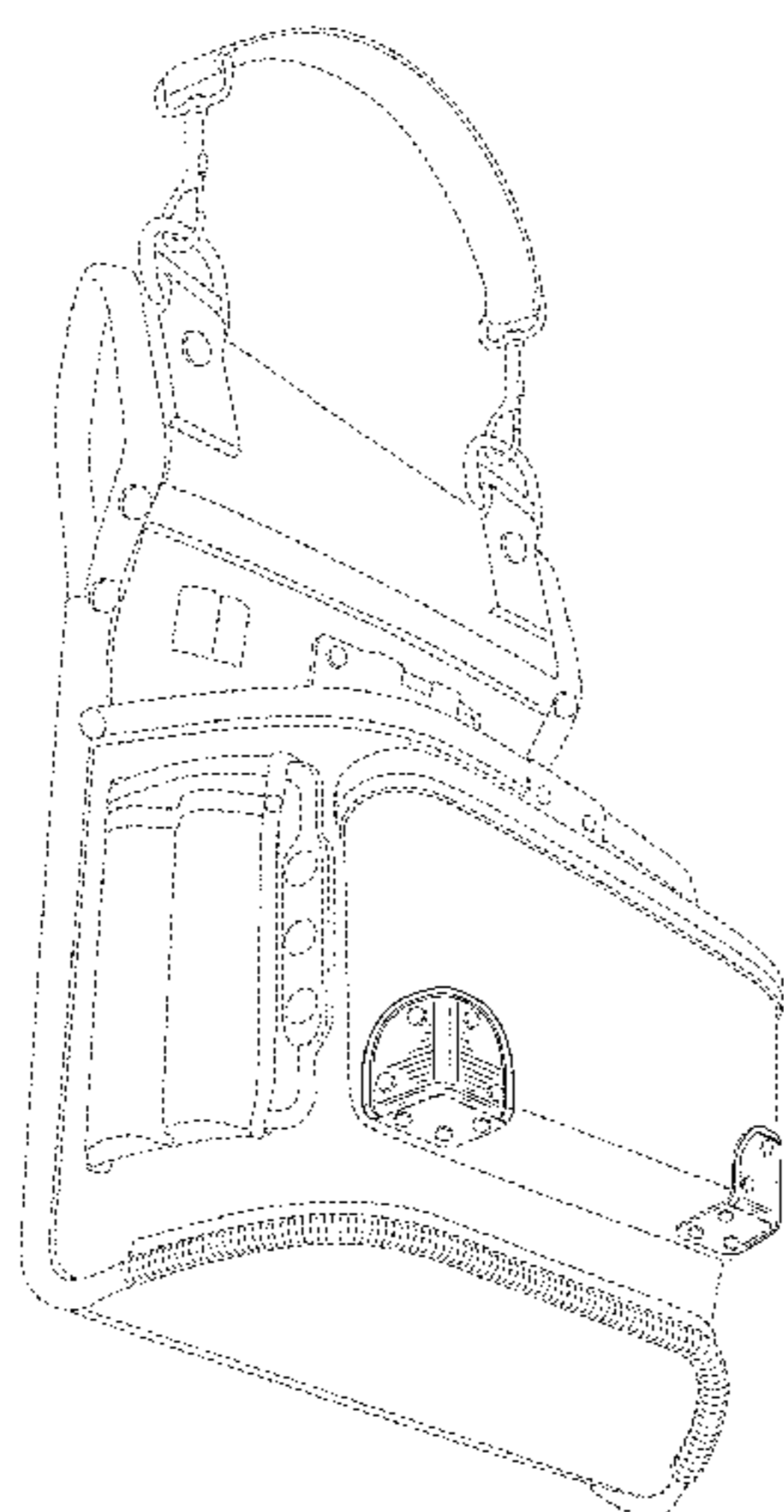
FIG. 5 is a back view thereof;

FIG. 6 is a top view thereof; and,

FIG. 7 is a bottom view thereof.

The dashed broken lines in the drawings are included for the purpose of illustrating environment and form no part of the claimed design. The dash-dot broken lines in the drawings are included for the purpose of illustrating boundaries and form no part of the claimed design.

**1 Claim, 6 Drawing Sheets**



(56)

**References Cited**

U.S. PATENT DOCUMENTS

D612,718	S *	3/2010	Lavelle	.....	D8/403
D640,919	S *	7/2011	Lavelle	.....	D8/403
D643,623	S *	8/2011	Chin	.....	D3/272
D677,463	S *	3/2013	Cenzano	.....	D3/272
D684,768	S *	6/2013	Cenzano	.....	D3/272
D700,783	S *	3/2014	Luong	.....	D3/319
D704,045	S *	5/2014	Lavelle	.....	D8/403
D728,239	S *	5/2015	Sanz	.....	D3/318
D736,519	S *	8/2015	Chui	.....	D3/272
2003/0038054	A1 *	2/2003	Hurley	.....	B65D 81/056 206/586
2006/0046021	A1 *	3/2006	Morris	.....	A47B 95/043 428/99
2015/0237992	A1 *	8/2015	Kinsky	.....	A45F 3/005 224/681
2015/0238001	A1 *	8/2015	Kinsky	.....	A45F 5/021 224/681

\* cited by examiner

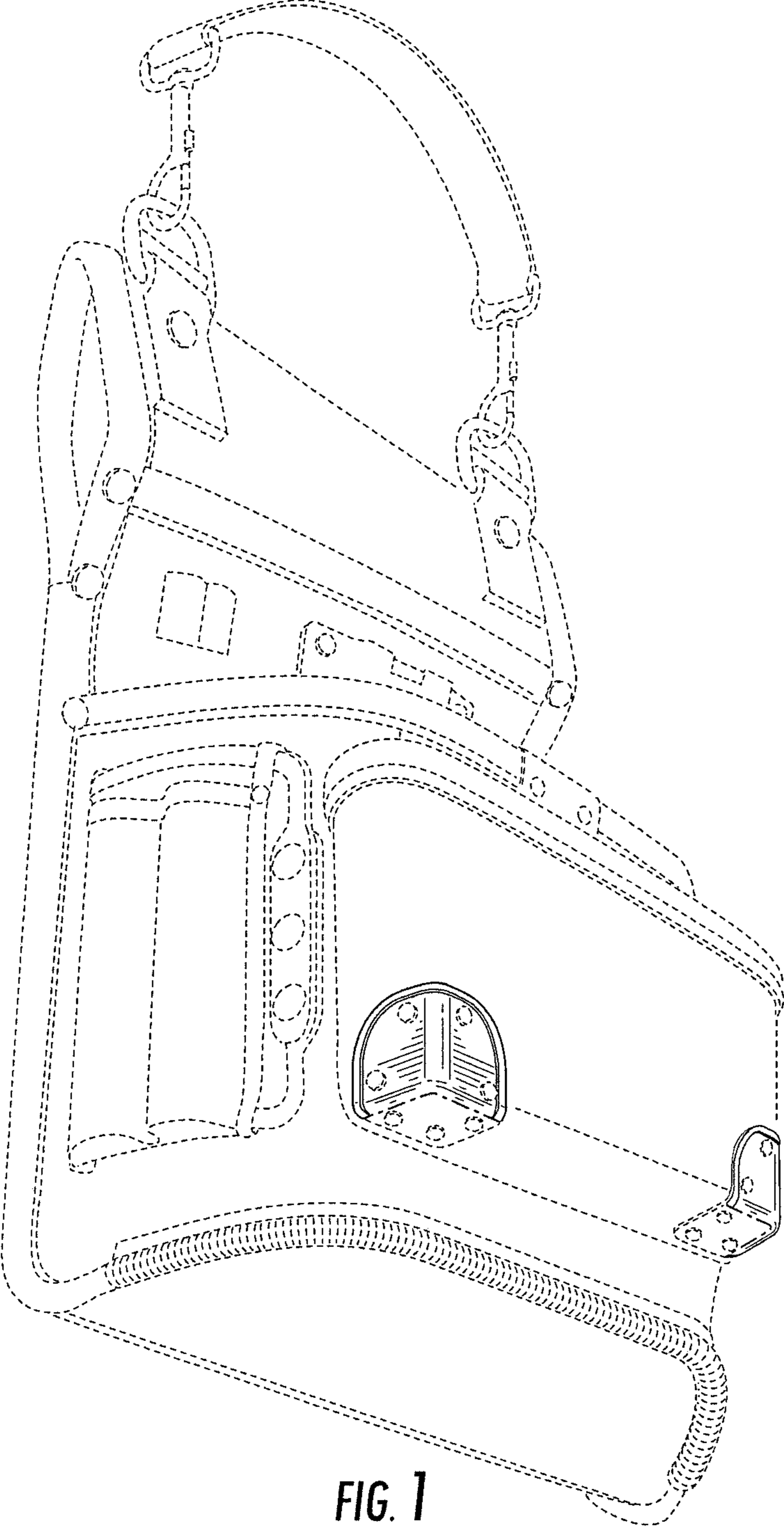


FIG. 1

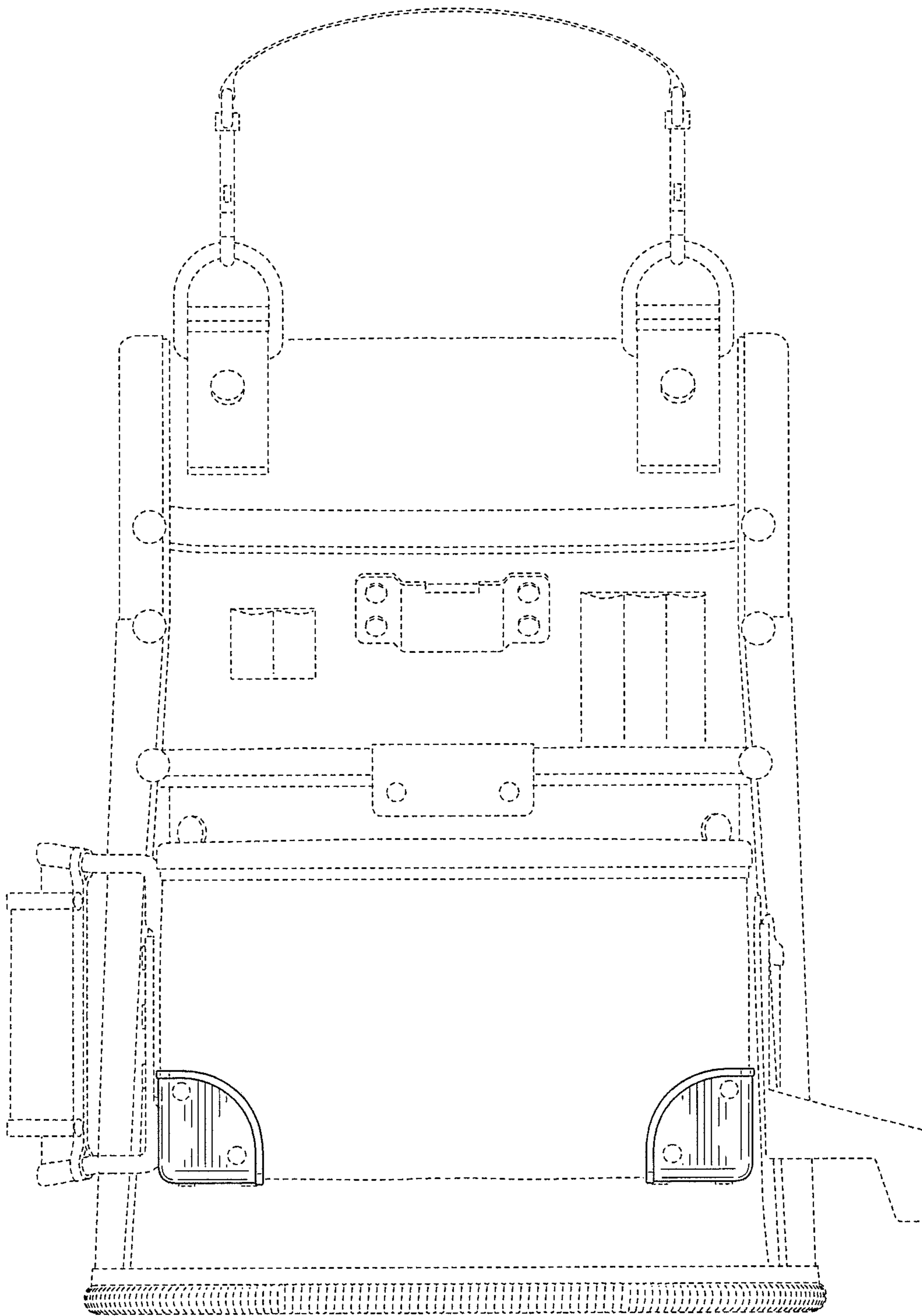
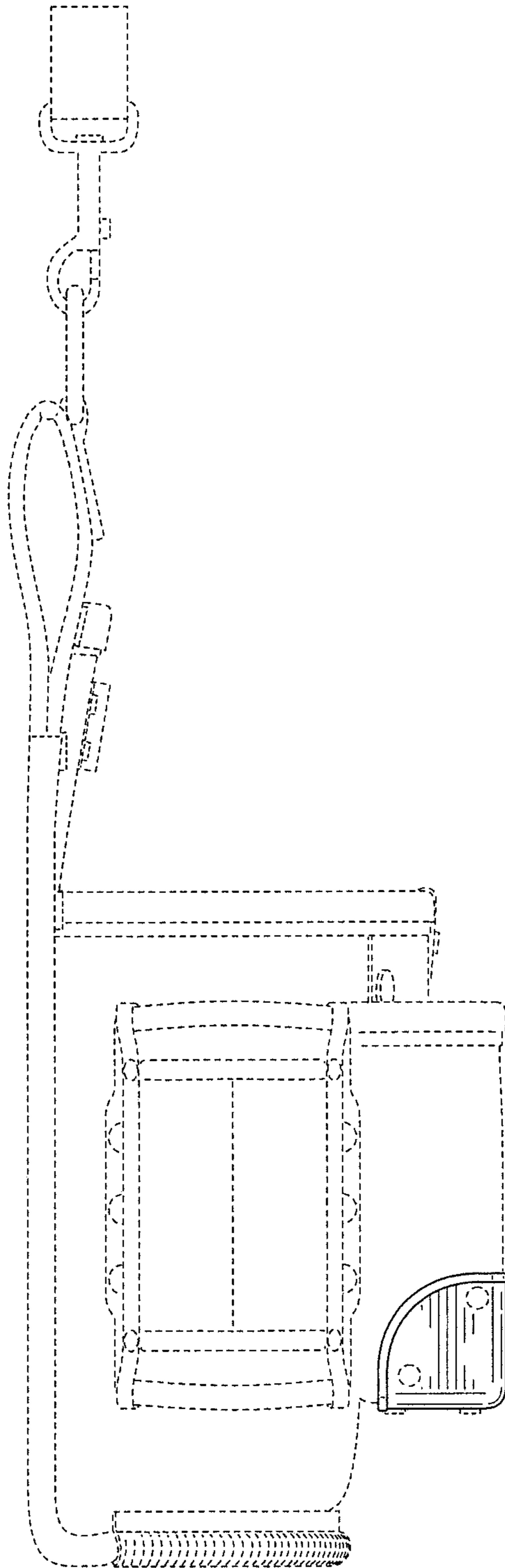


FIG. 2



**FIG. 3**

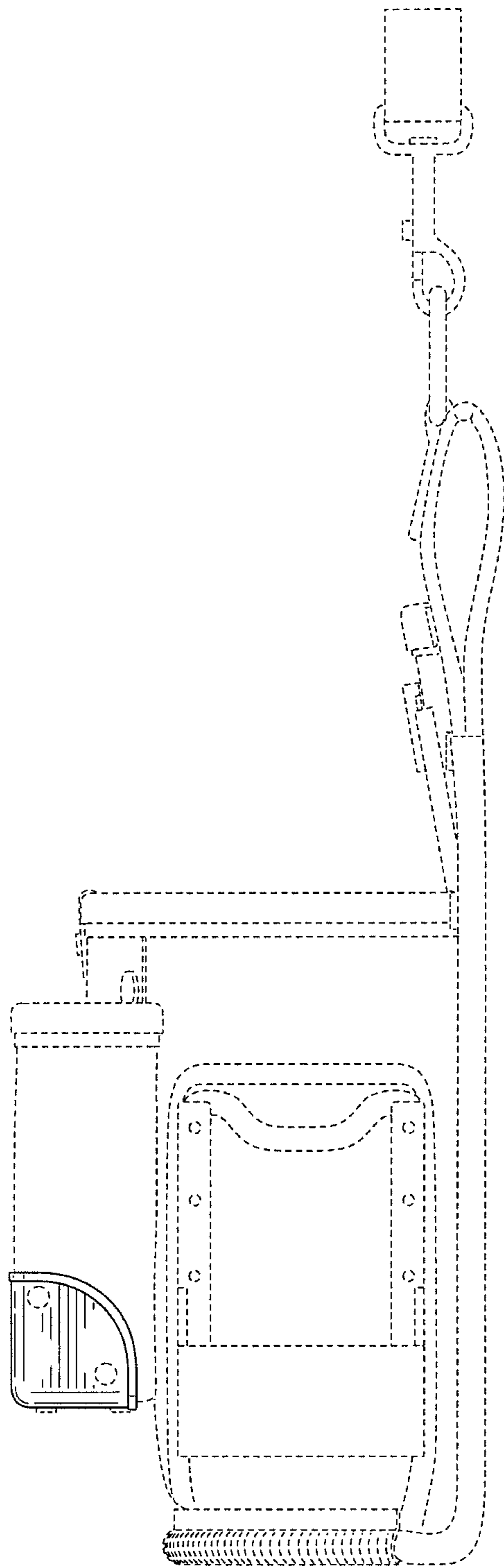


FIG. 4

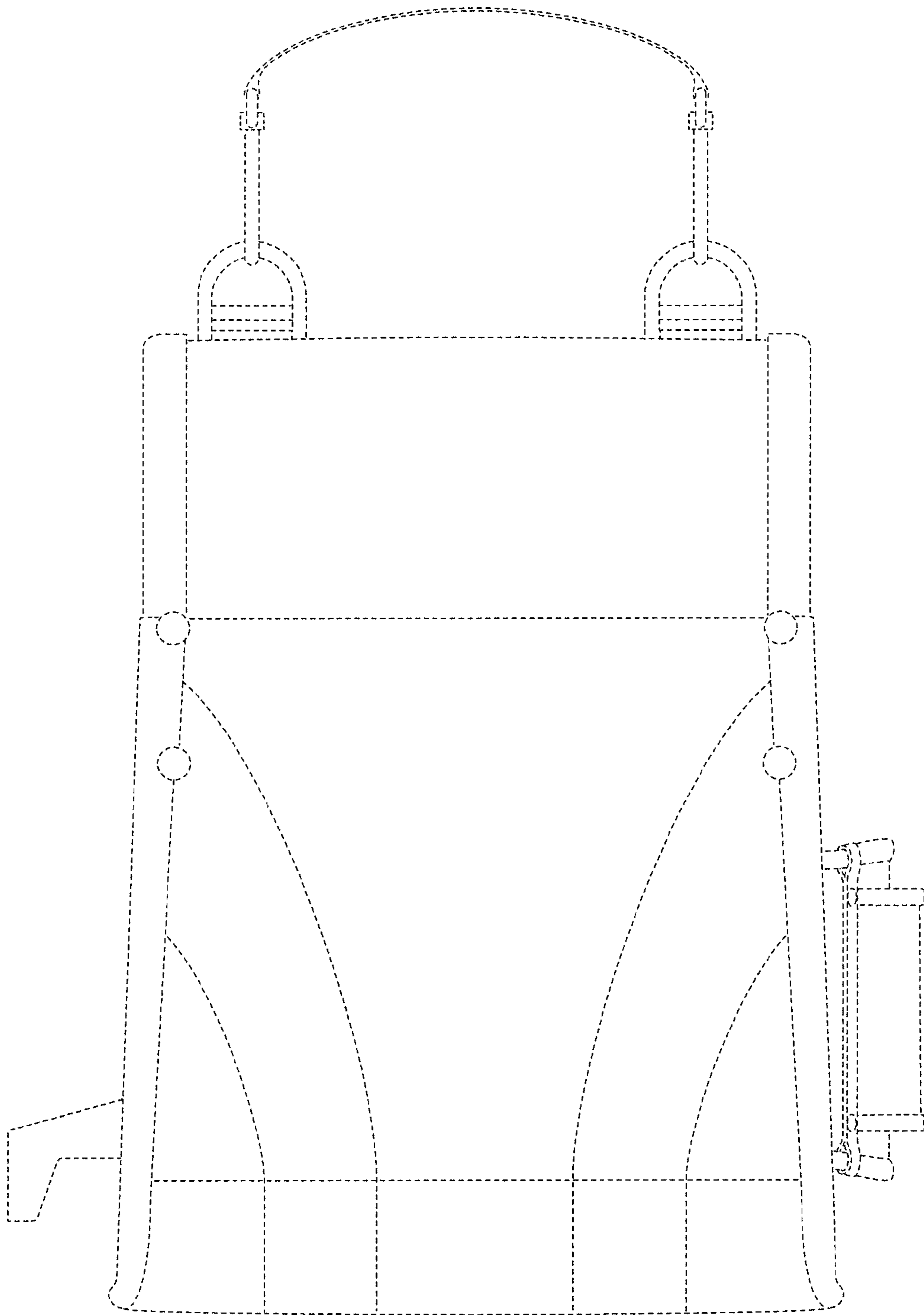


FIG. 5

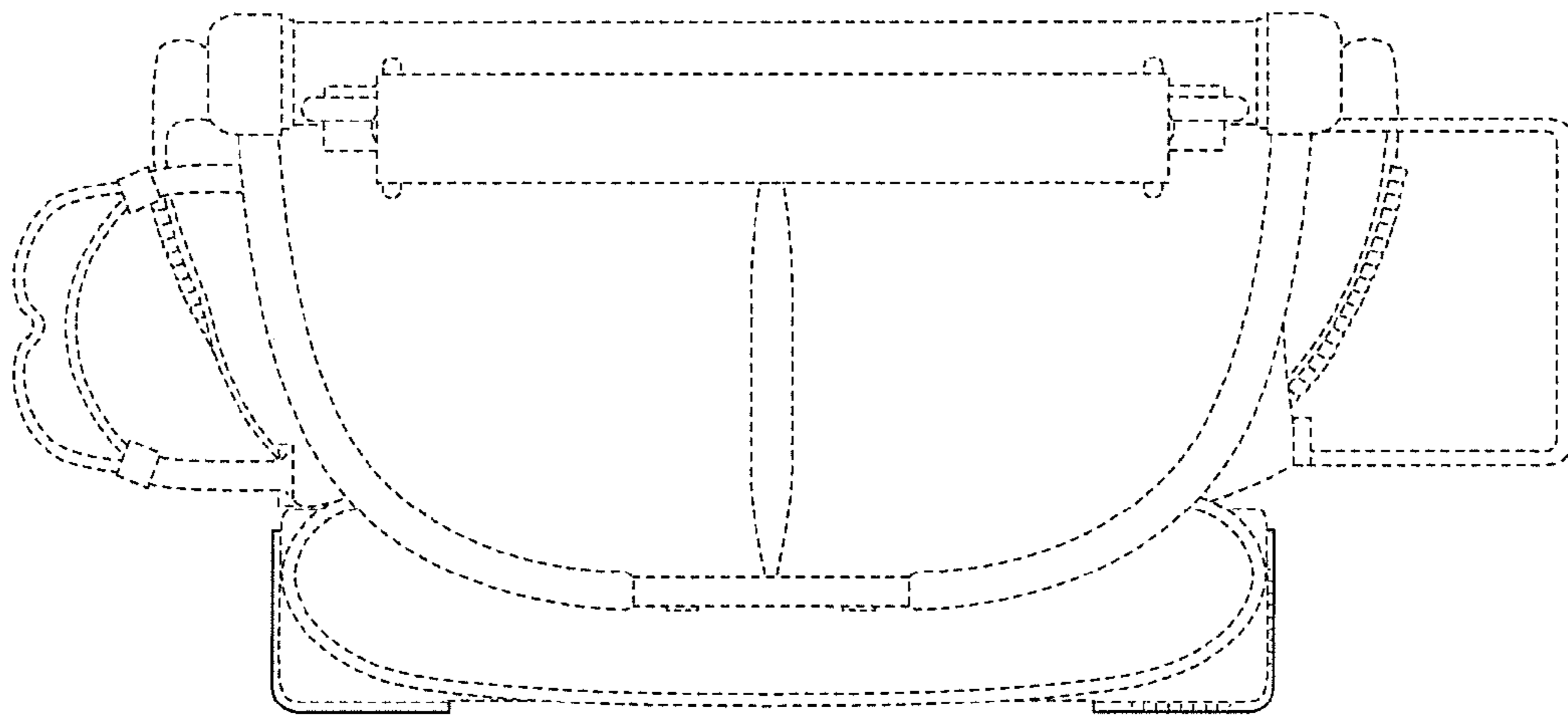


FIG. 6

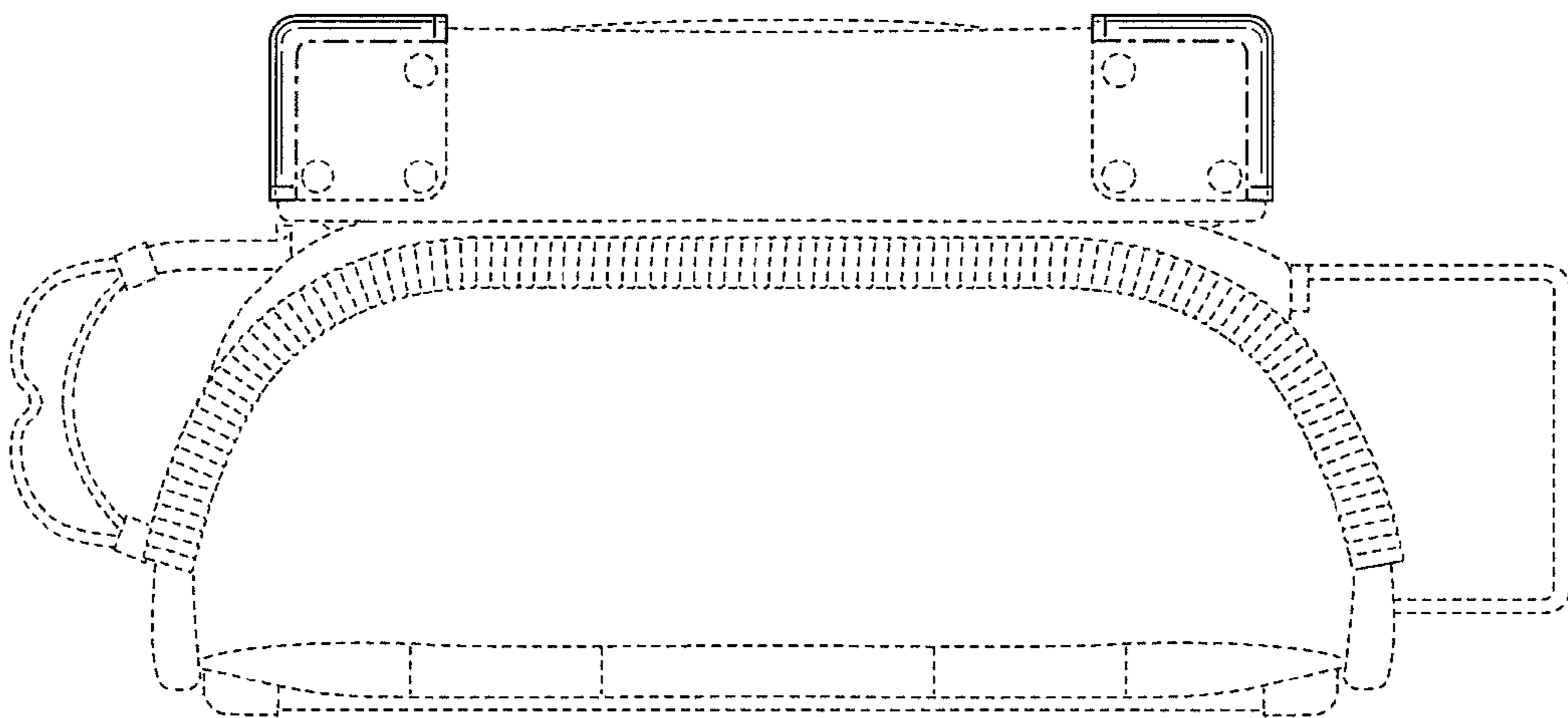


FIG. 7