



US00D777435S

(12) **United States Design Patent**  
**Hecht et al.**

(10) **Patent No.:** **US D777,435 S**

(45) **Date of Patent:** **\*\* Jan. 31, 2017**

(54) **STORAGE COMPONENT**

5,215,205 A 6/1993 Behlman  
D346,741 S \* 5/1994 McIntyre ..... D15/150  
D422,389 S 4/2000 Gay

(Continued)

(71) Applicant: **Herman Miller, Inc.**, Zeeland, MI (US)

(72) Inventors: **Sam Hecht**, London (GB); **Kimberlee Colin**, London (GB); **Philipp Von Lintel**, London (GB); **Ipppei Matsumoto**, London (GB)

*Primary Examiner* — Kelley Donnelly

(74) *Attorney, Agent, or Firm* — Michael Best & Friedrich LLP

(73) Assignee: **Herman Miller, Inc.**, Zeeland, MI (US)

(57) **CLAIM**

We claim the ornamental design for a storage component, as shown and described.

(\*\*) Term: **15 Years**

**DESCRIPTION**

(21) Appl. No.: **29/560,259**

(22) Filed: **Apr. 5, 2016**

FIG. 1 is a perspective view of a first embodiment of a storage component.

FIG. 2 is right side view of the storage component shown in FIG. 1, with a left side view being a mirror image thereof. FIG. 3 is a front view of the storage component shown in FIG. 1.

FIG. 4 is a rear view of the storage component shown in FIG. 1.

FIG. 5 is a top view of the storage component shown in FIG. 1.

FIG. 6 is a bottom view of the storage component shown in FIG. 1.

FIG. 7 is a perspective view of a second embodiment of a storage component.

FIG. 8 is right side view of the storage component shown in FIG. 7, with a left side view being a mirror image thereof.

FIG. 9 is a front view of the storage component shown in FIG. 7.

FIG. 10 is a rear view of the storage component shown in FIG. 7.

FIG. 11 is a top view of the storage component shown in FIG. 7; and,

FIG. 12 is a bottom view of the storage component shown in FIG. 7.

The broken lines shown in the Figures are for environmental purposes only and do not form any part of the claimed design.

**Related U.S. Application Data**

(62) Division of application No. 29/555,053, filed on Feb. 18, 2016, which is a division of application No. 29/538,619, filed on Sep. 4, 2015, now Pat. No. Des. 752,865, which is a division of application No. 29/457,260, filed on Jun. 7, 2013, now abandoned.

(51) **LOC (10) Cl.** ..... **03-01**

(52) **U.S. Cl.**  
USPC ..... **D3/307**

(58) **Field of Classification Search**

USPC ..... D3/203.1, 203.3, 205–206, 273, 276, D3/304–305, 307; D6/475–476, 525; D19/75, 77, 86, 90, 92, 100; 206/203, 206/214–215, 822, 307.1; 229/100, 406, 229/913–914

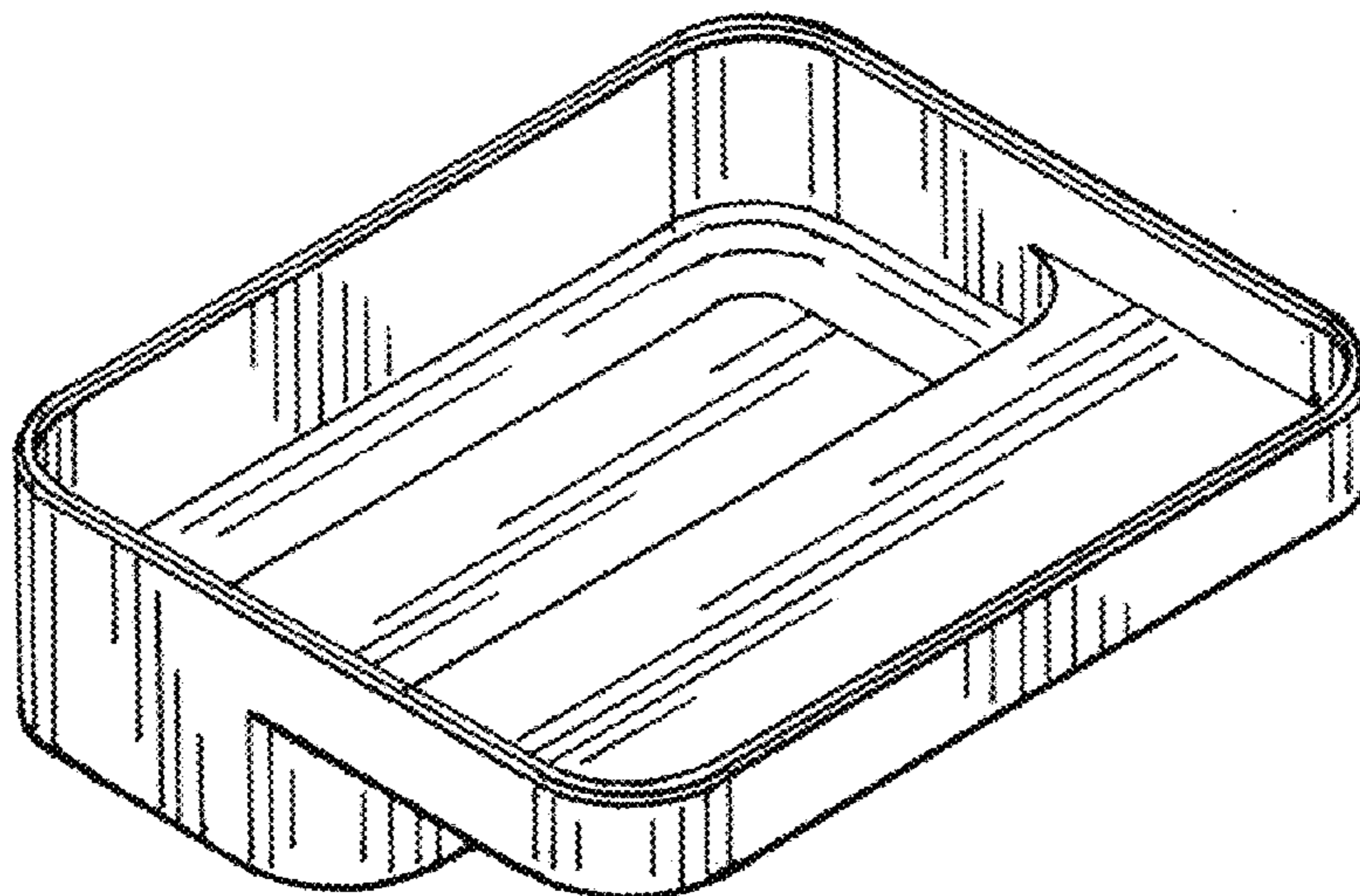
CPC ..... B65D 1/34; B65D 21/0204; B65D 43/162  
See application file for complete search history.

(56) **References Cited**

**U.S. PATENT DOCUMENTS**

D160,744 S 10/1950 Rizzuto  
D232,524 S \* 8/1974 Schy ..... D9/417

**1 Claim, 2 Drawing Sheets**



(56)

References Cited

U.S. PATENT DOCUMENTS

D423,531 S *	4/2000	Becker .....	D15/150	D651,651 S	1/2012	Beukema et al.	
D425,703 S	5/2000	Ohayon		D653,049 S	1/2012	Goldszer	
D434,802 S	12/2000	Chang		D653,767 S *	2/2012	Lovshe	
D479,930 S	9/2003	Cook et al.		D654,693 S	2/2012	Freeman	
D483,071 S	12/2003	Chen		D656,970 S	4/2012	Merritt	
D490,978 S	6/2004	Breyer		D658,407 S *	5/2012	Pung .....	D6/683
D510,481 S	10/2005	Hodgson		D660,723 S	5/2012	Akana et al.	
D515,114 S	2/2006	Grobleben		D660,892 S *	5/2012	Tomlinson .....	D15/152
D519,278 S	4/2006	Boerma		D662,218 S *	6/2012	Pittman .....	D24/227
D525,032 S *	7/2006	Jones .....	D3/315	D662,821 S	7/2012	Ouzts et al.	
D547,064 S	7/2007	Snell		D676,468 S	2/2013	Lee	
D573,656 S	7/2008	Wamsley		D691,855 S	10/2013	Dabney-Wiggs	
D591,111 S	4/2009	Rzeczkowski		D699,076 S	2/2014	Harris et al.	
D618,821 S *	6/2010	Larsen .....	D24/227	D710,404 S *	8/2014	Park .....	D15/89
D637,636 S *	5/2011	Liao .....	D15/150	D712,204 S	9/2014	Hatcher et al.	
D637,648 S	5/2011	Ringl		D712,750 S	9/2014	Glenn	
D641,385 S *	7/2011	Armstrong .....	D15/150	D714,840 S	10/2014	Yang et al.	
D650,397 S	12/2011	Hartsfield, Jr.		D745,581 S *	12/2015	Jeon .....	D15/89
				D747,373 S *	1/2016	Lee .....	D15/89
				D751,318 S *	3/2016	Kraemer .....	D6/525
				D760,400 S *	6/2016	Grune .....	D24/219

\* cited by examiner



FIG. 1

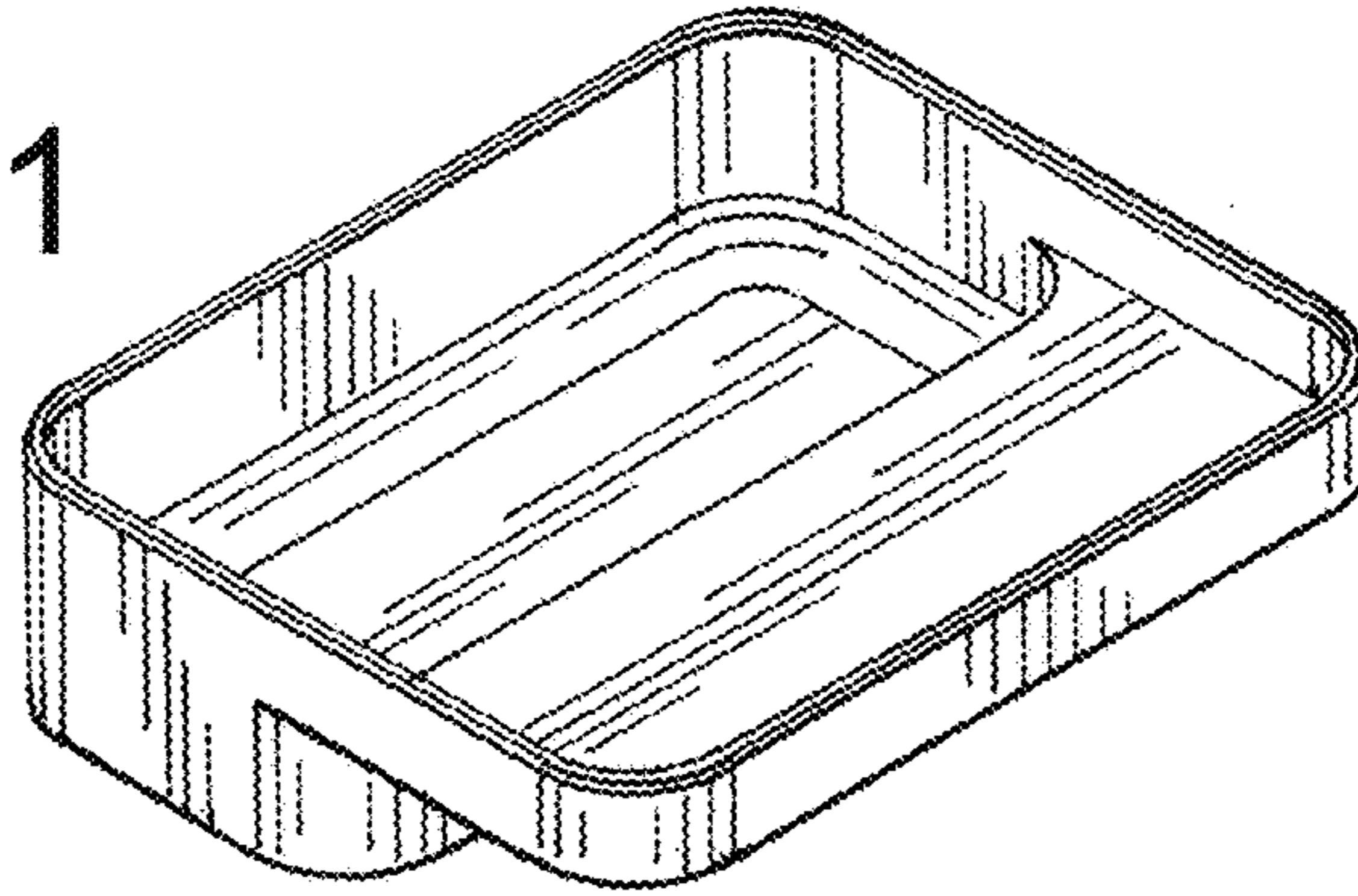


FIG. 5

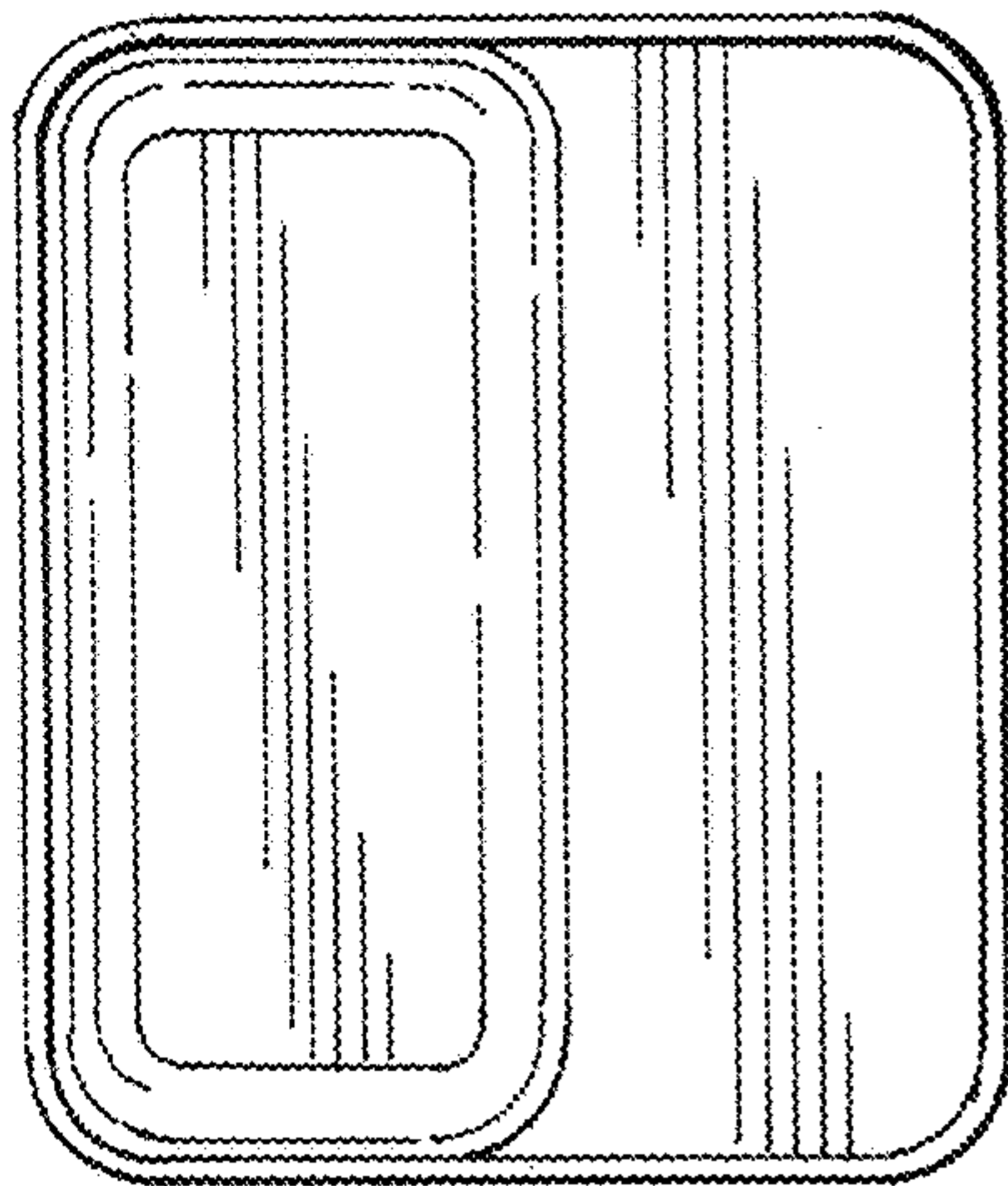


FIG. 3

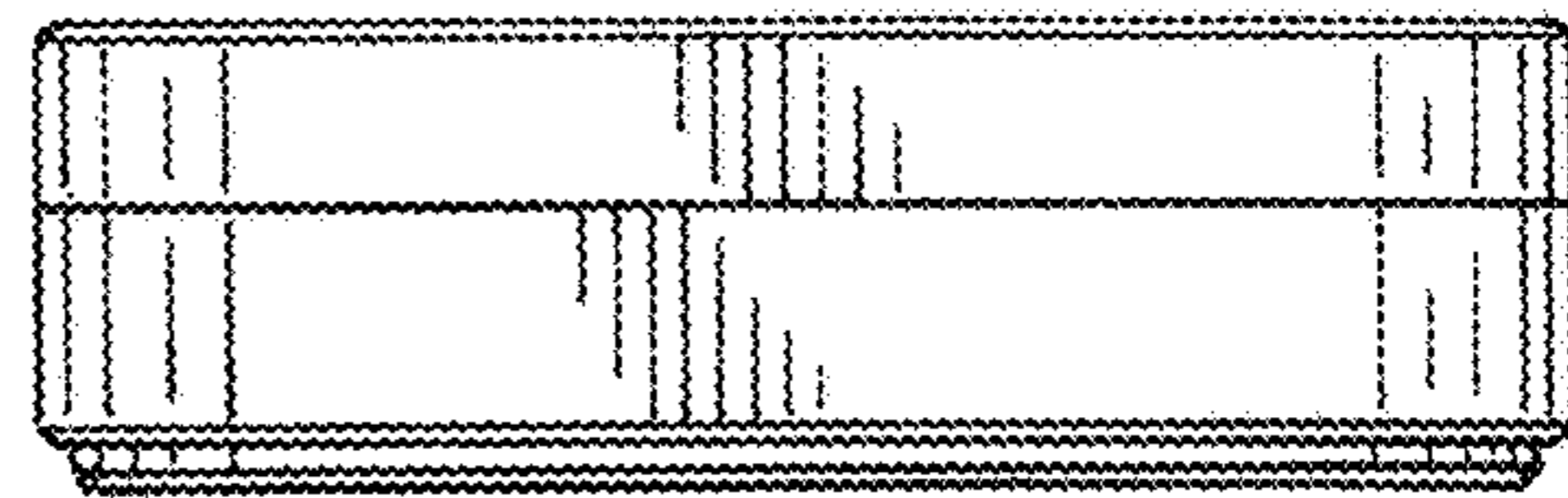


FIG. 2

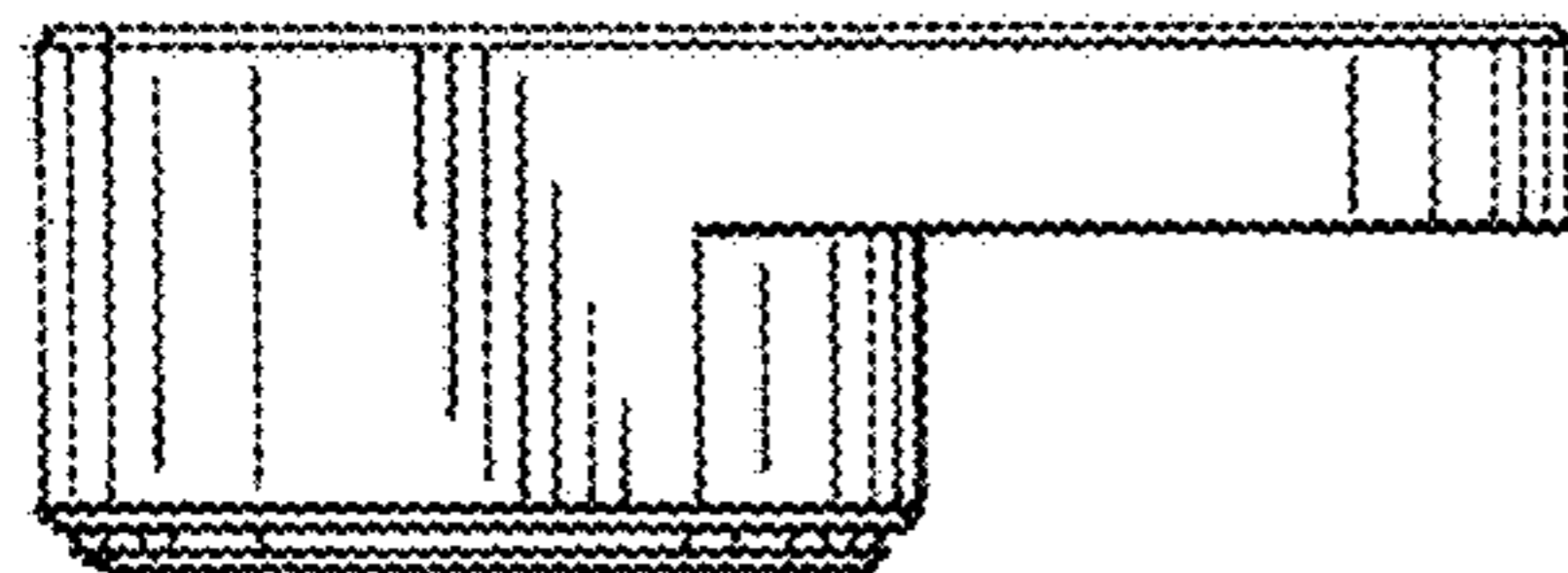


FIG. 4

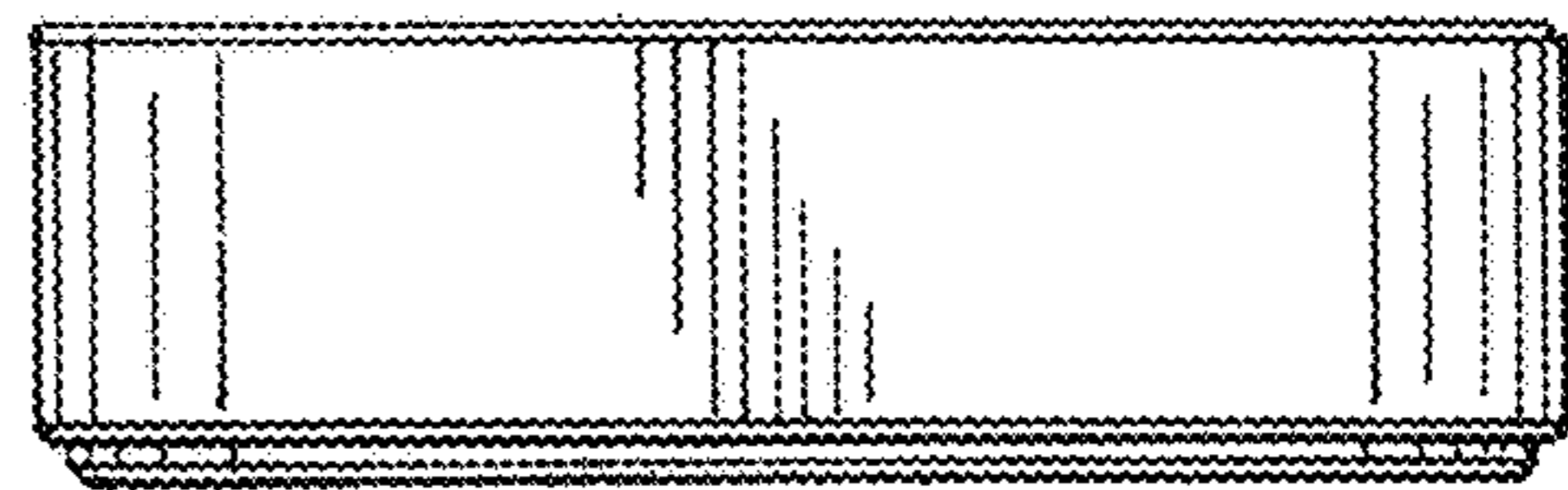


FIG. 6

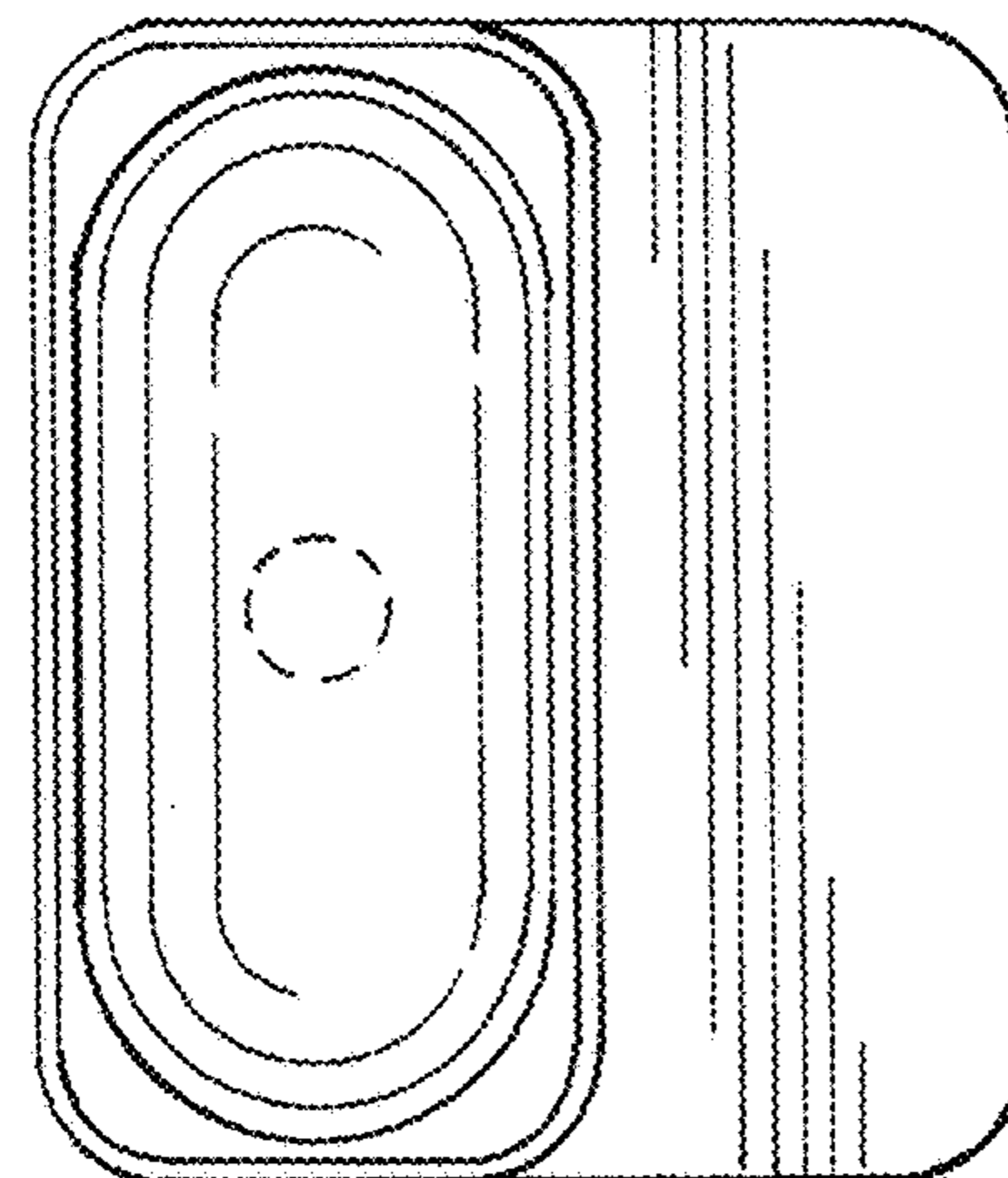


FIG. 7

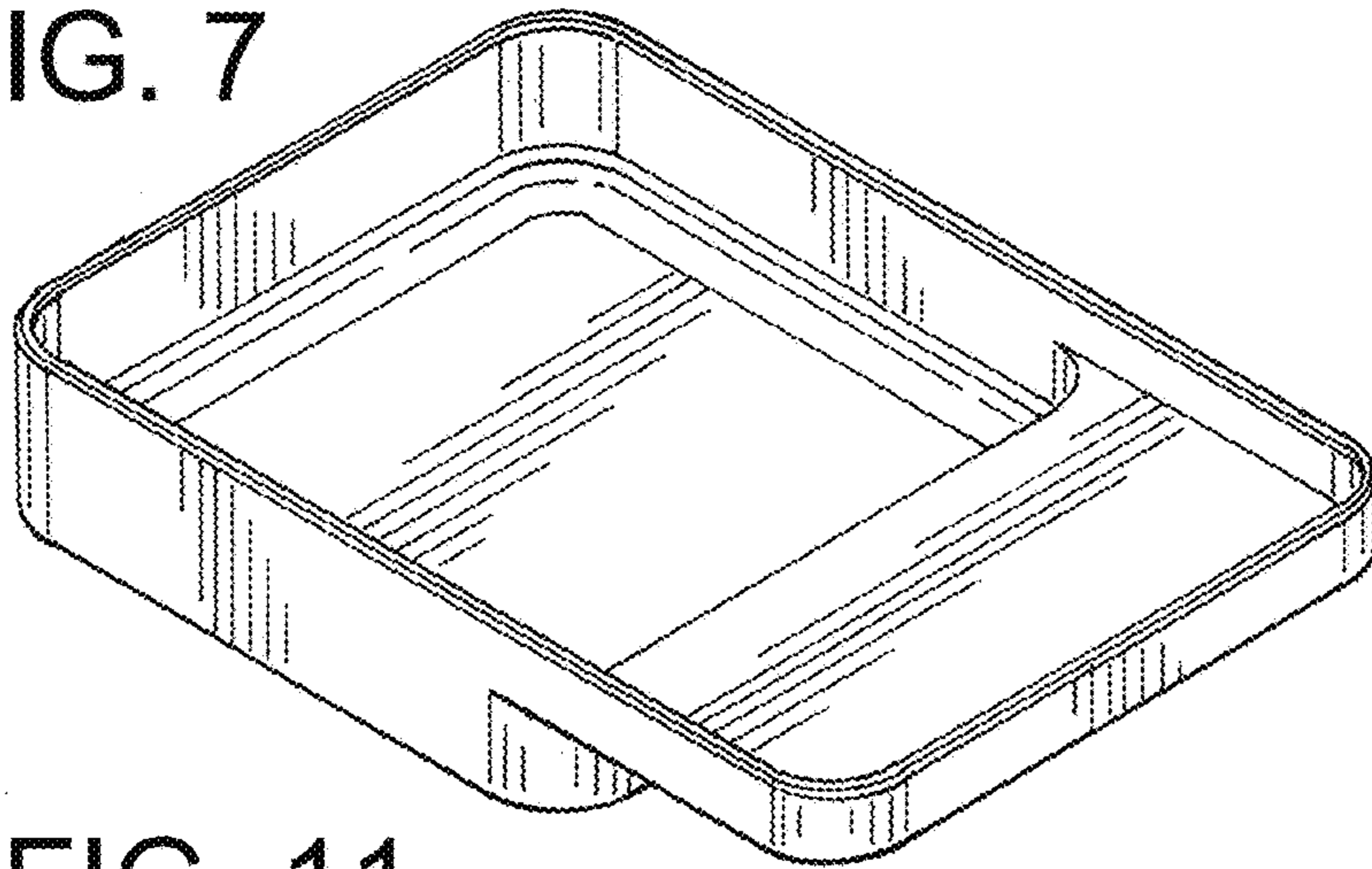


FIG. 11

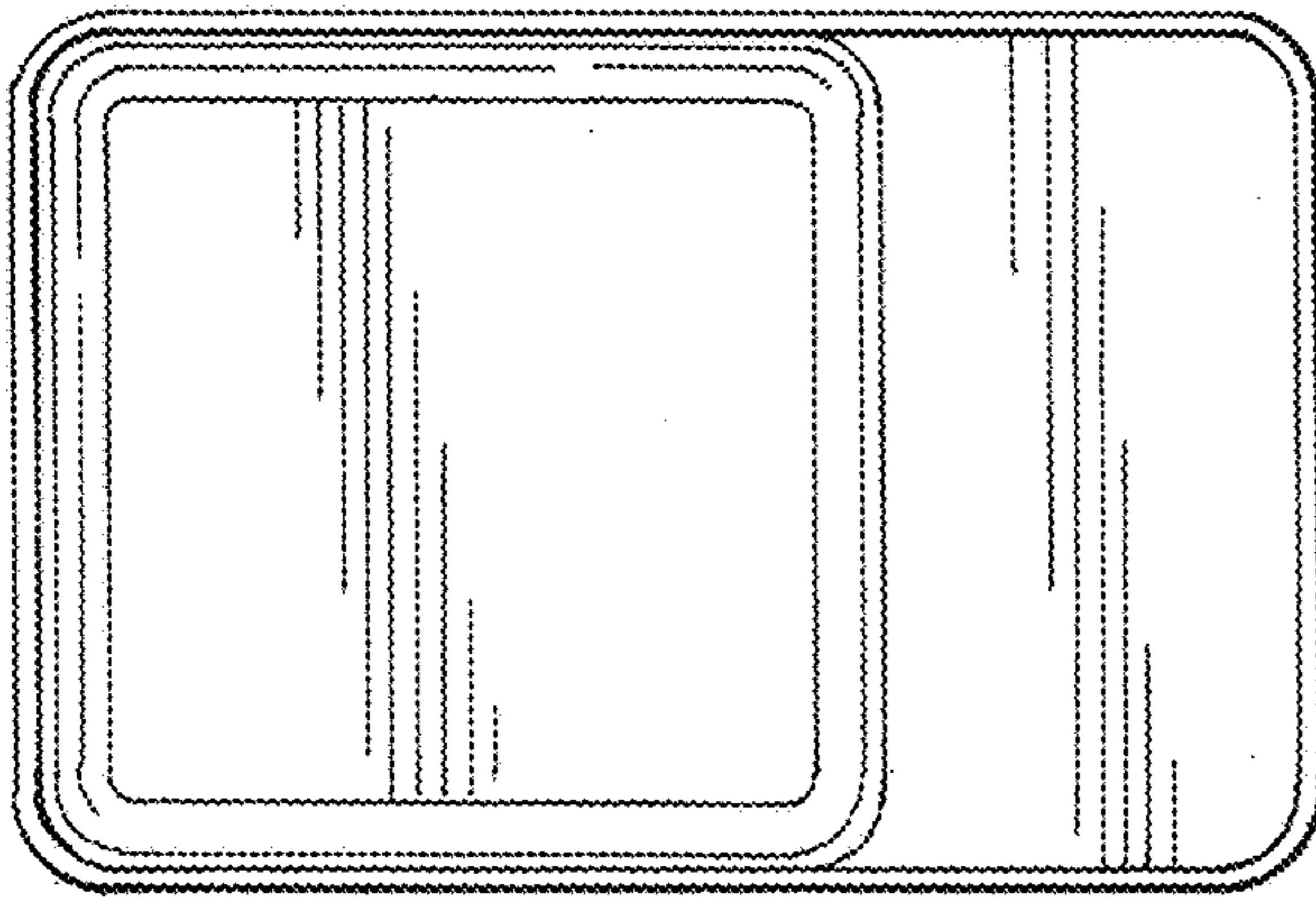


FIG. 9

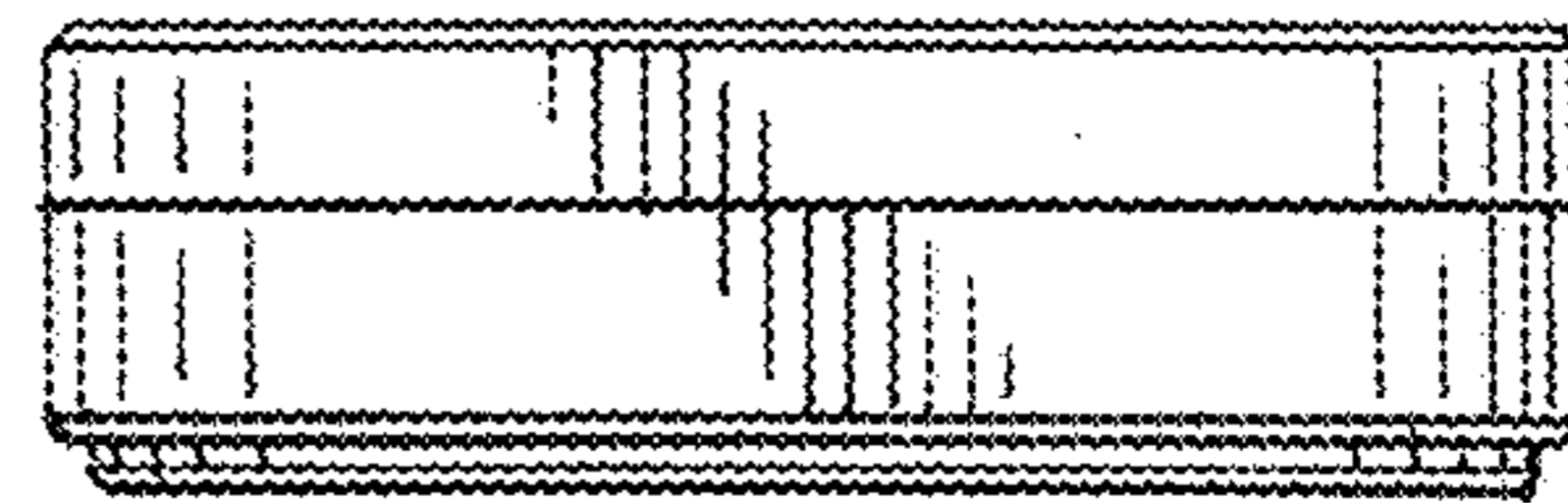


FIG. 8

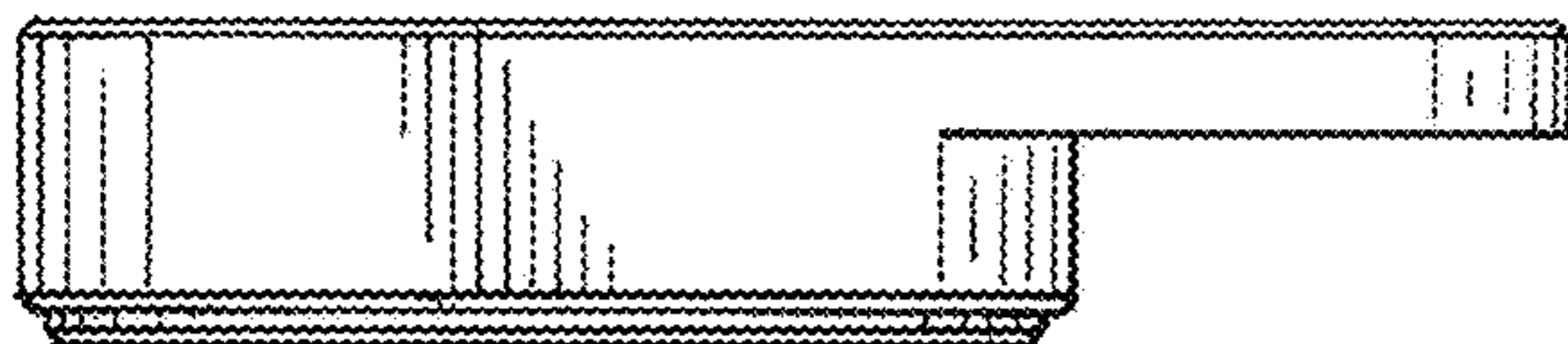


FIG. 10

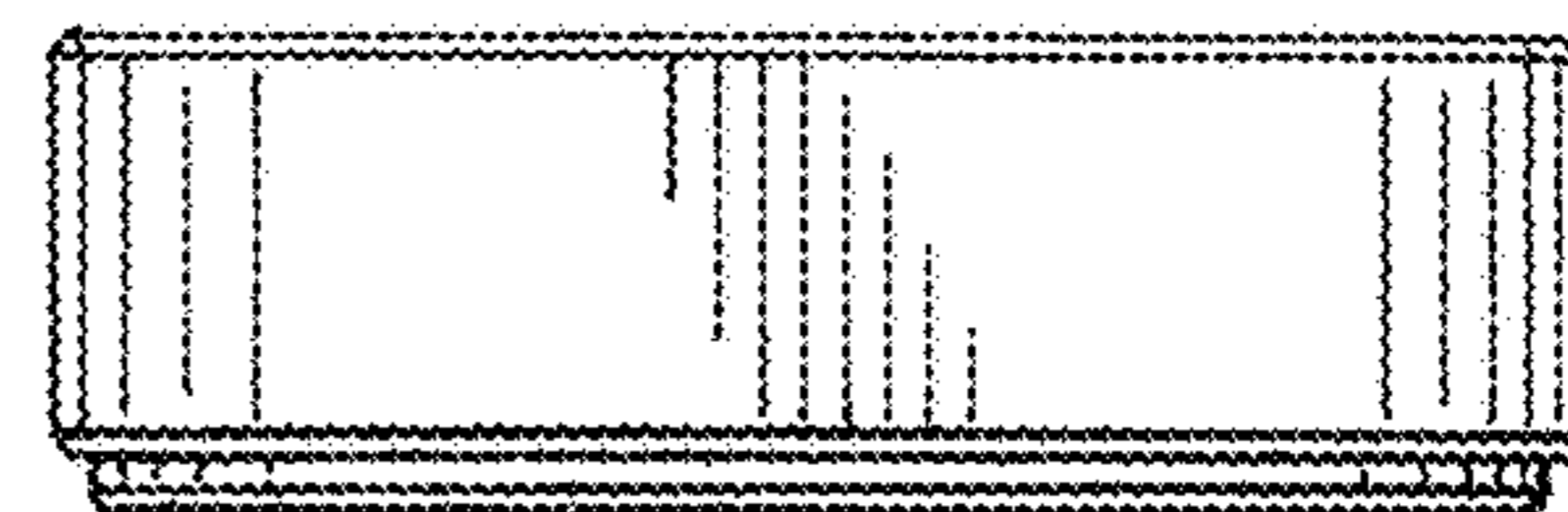


FIG. 12

