



US00D777430S

(12) **United States Design Patent**
Thomas

(10) **Patent No.:** **US D777,430 S**

(45) **Date of Patent:** **** Jan. 31, 2017**

(54) **ROTATING ORGANIZATIONAL CABINET**

(71) Applicant: **Cheryl Michelle Thomas**, Lithonia,
GA (US)

(72) Inventor: **Cheryl Michelle Thomas**, Lithonia,
GA (US)

(**) Term: **14 Years**

(21) Appl. No.: **29/491,672**

(22) Filed: **May 22, 2014**

(51) **LOC (10) Cl.** **03-01**

(52) **U.S. Cl.**
USPC **D3/297**

(58) **Field of Classification Search**
USPC D3/297
CPC A47B 81/00
See application file for complete search history.

(56) **References Cited**

U.S. PATENT DOCUMENTS

3,107,131 A * 10/1963 Lightburn A47B 87/02
206/509

D386,626 S * 11/1997 Yemini D3/283
7,974,105 B2 * 7/2011 Dean, Jr. G02B 6/4459
361/826
D720,134 S * 12/2014 Baruch D3/297

* cited by examiner

Primary Examiner — Holly Baynham

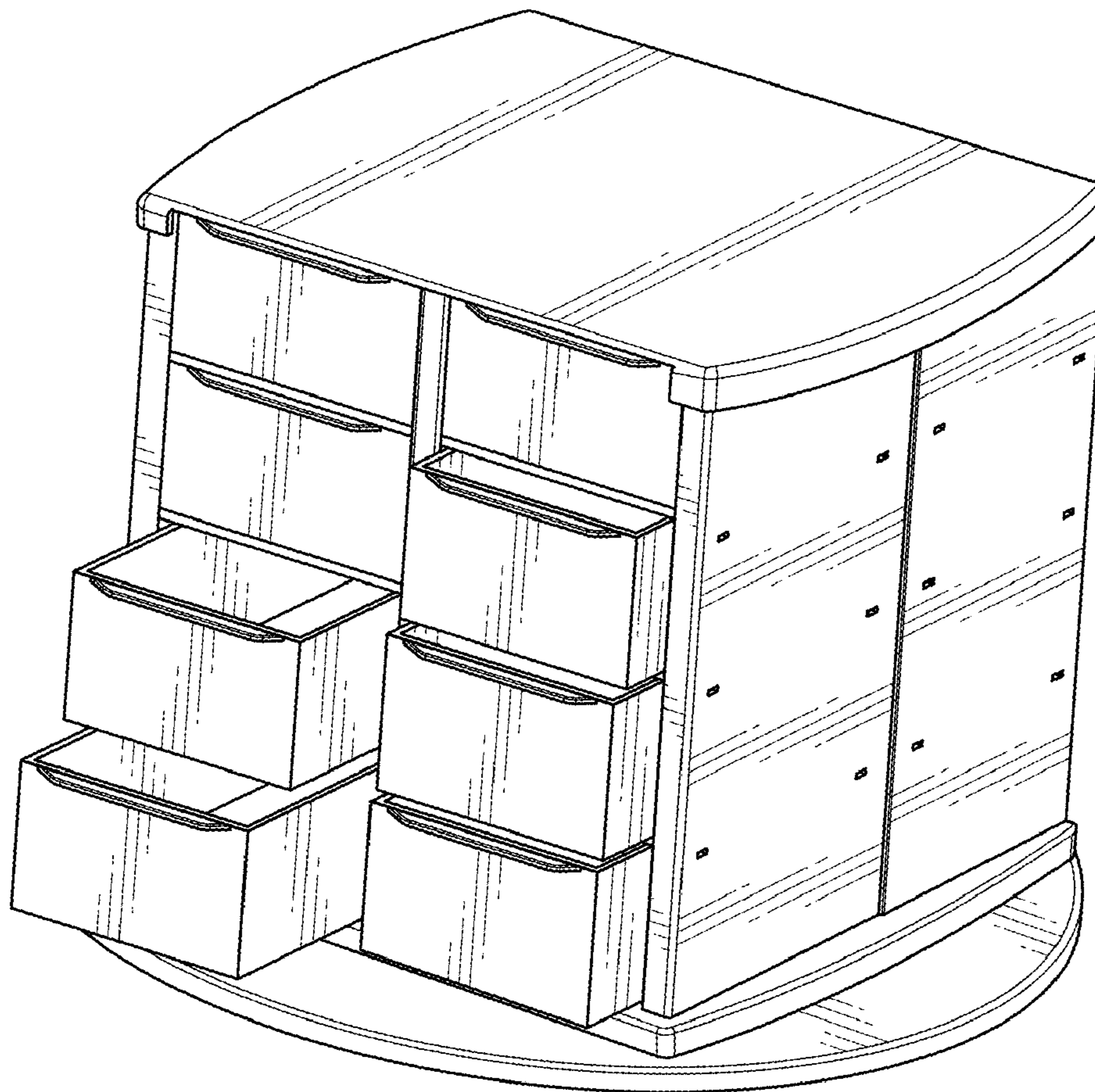
(57) **CLAIM**

The ornamental design of the rotating organizational cabinet, as shown and described herein.

DESCRIPTION

FIG. 1 is a front to right side elevational view of the invention, the rear side being a mirror image of the front side, the left side being a mirror image of the right side; FIG. 2 is a rear to right side elevational view thereof, the front side being a mirror image of the rear side, the left side being a mirror image of the right side; FIG. 3 is a left side elevational view thereof, the right side being a mirror image of the left side; and, FIG. 4 is a rear to right side elevational view thereof, the front side being a mirror image of the rear side, the left side being a mirror image of the right side.

1 Claim, 4 Drawing Sheets



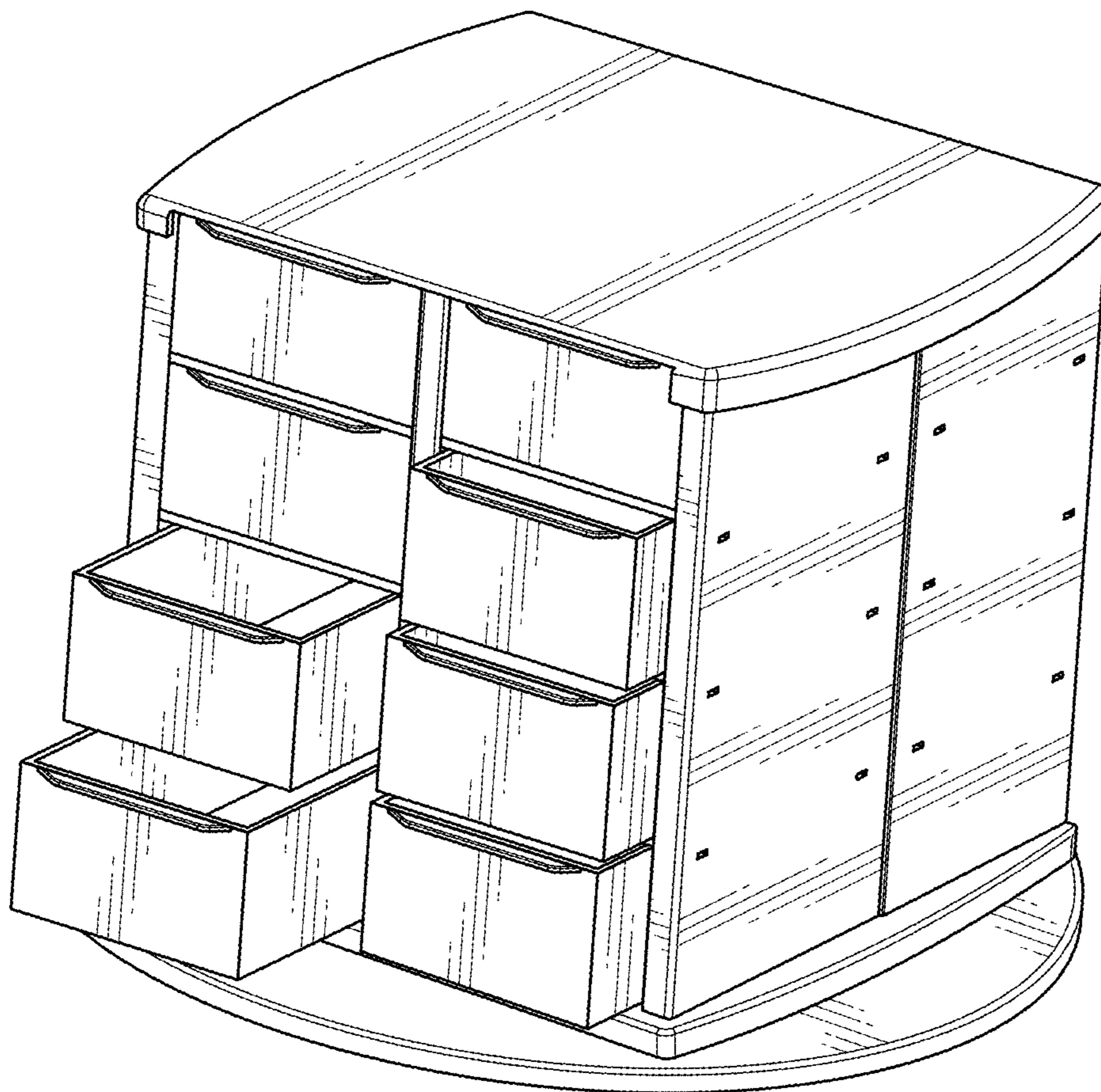


FIG. 1

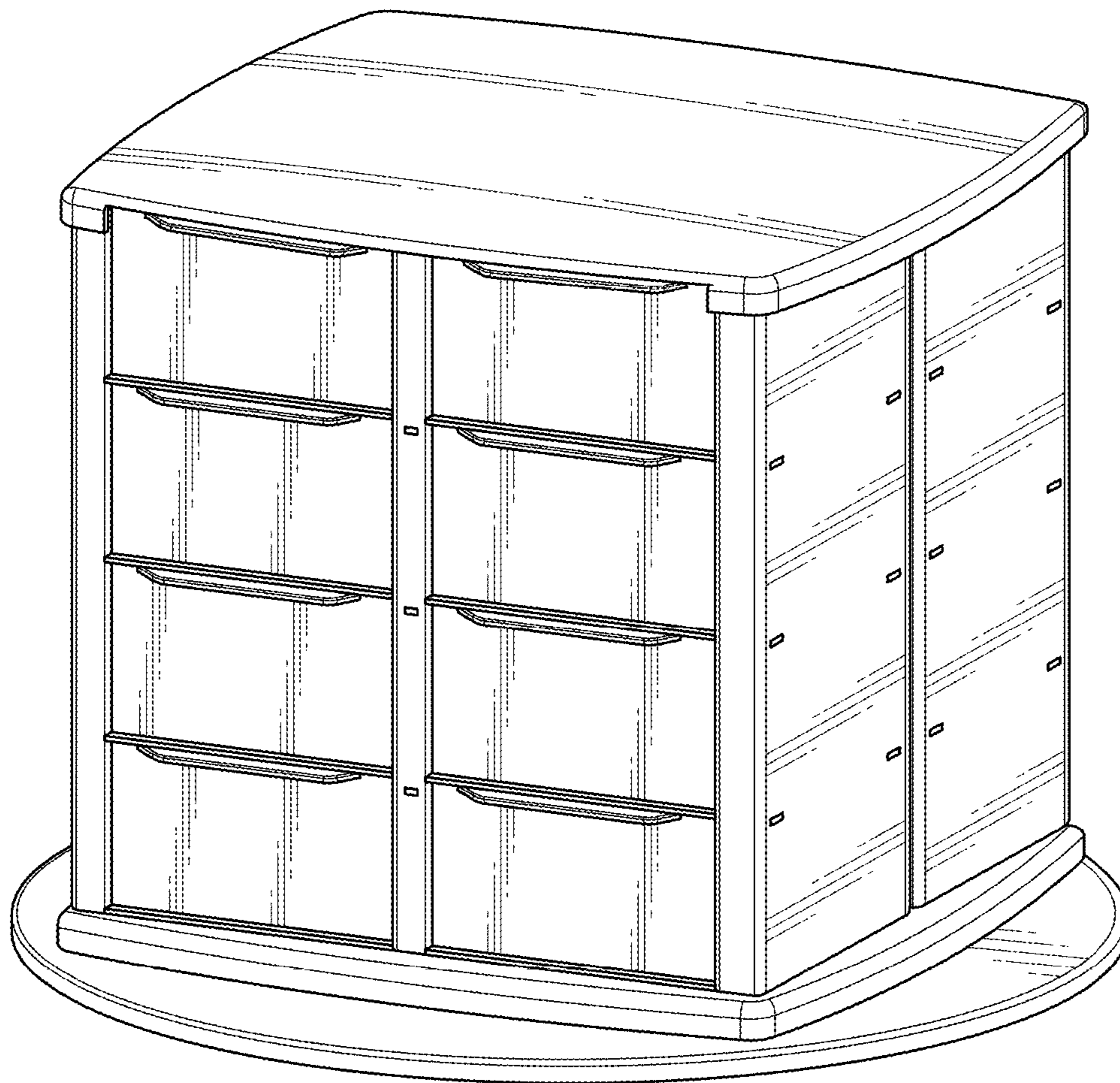


FIG. 2

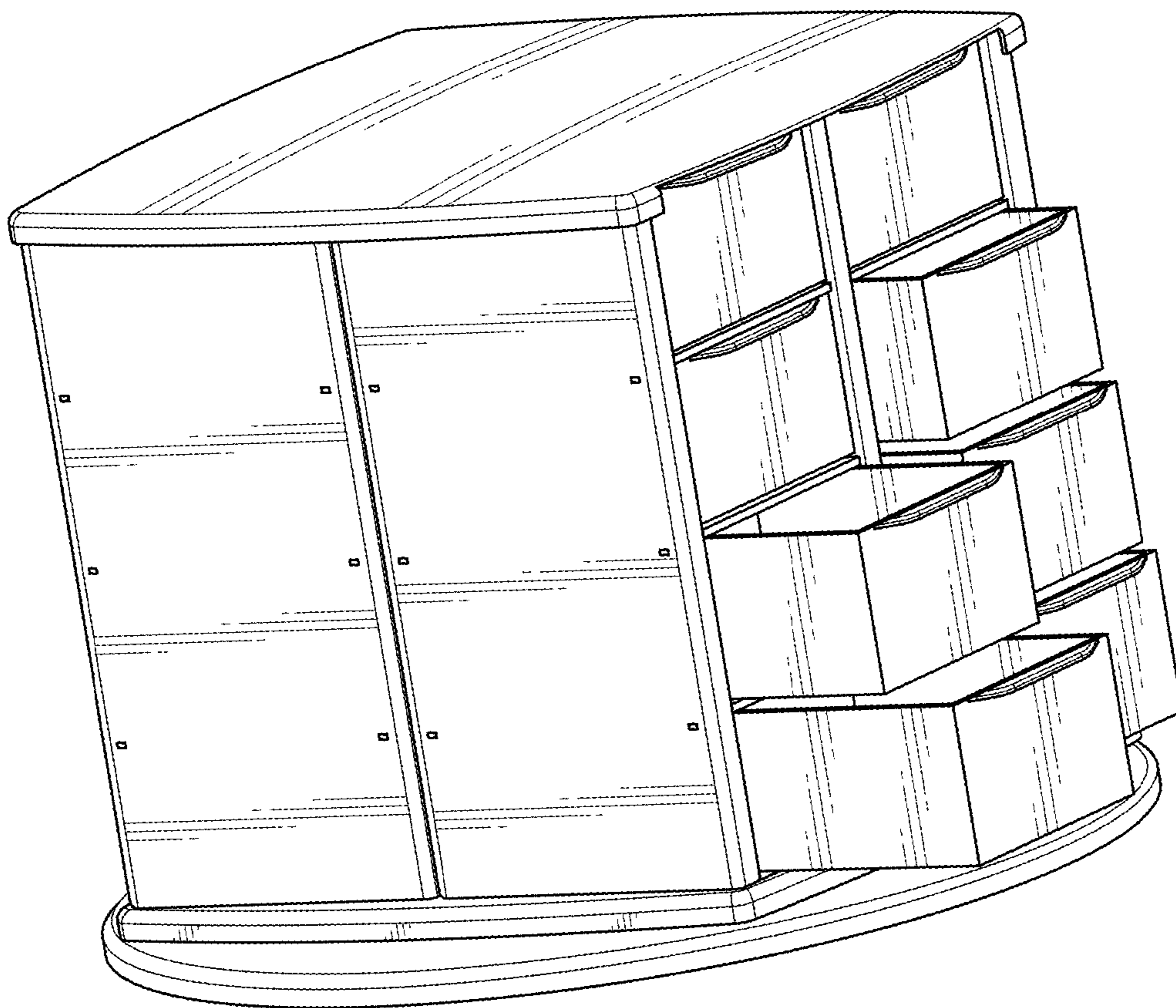


FIG. 3

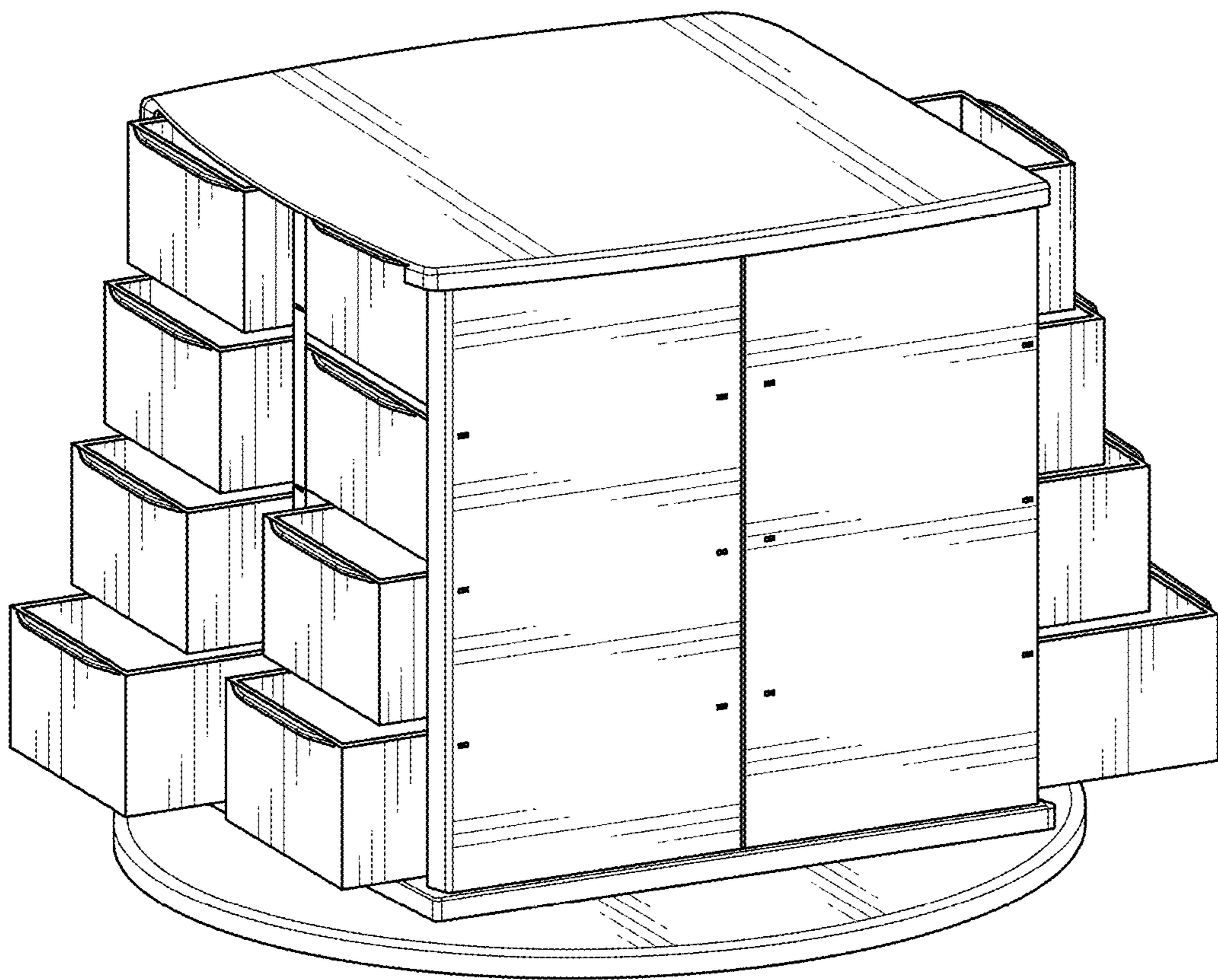


FIG. 4