



US00D777428S

(12) **United States Design Patent** (10) **Patent No.:** **US D777,428 S**
Hsu (45) **Date of Patent:** **** Jan. 31, 2017**

(54) **CONTAINER**
(71) Applicant: **L&F PLASTICS, CO., LTD.**, Miaoli County (TW)
(72) Inventor: **Mu-Chuan Hsu**, Miaoli County (TW)
(73) Assignee: **L&F Plastics, Co., Ltd.**, Miaoli County (TW)

2,677,483 A 9/1954 Shaw
D309,970 S 8/1990 Embree
D311,799 S 10/1990 Embree
5,147,044 A 9/1992 DiSesa, Jr.
D336,243 S * 6/1993 Evans D3/294
D361,664 S 8/1995 Brown
5,445,397 A 8/1995 Evans
D378,636 S * 4/1997 Chrisco D6/670

(**) Term: **15 Years**

(21) Appl. No.: **29/571,832**

(22) Filed: **Jul. 22, 2016**

Related U.S. Application Data

(62) Division of application No. 29/522,254, filed on Mar. 30, 2015, now Pat. No. Des. 762,065.

(30) **Foreign Application Priority Data**

Dec. 9, 2014 (TW) 103306829 D01
Dec. 9, 2014 (TW) 103306829 D02
Dec. 12, 2014 (TW) 103306829 D03
Dec. 12, 2014 (TW) 103306829 D04

(51) **LOC (10) Cl.** **03-01**

(52) **U.S. Cl.**
USPC **D3/273**

(58) **Field of Classification Search**
USPC D3/203.1, 203.6, 225, 218, 273, 302,
D3/304, 314; 206/503-506, 508, 510,
206/512, 514-515; D30/161
CPC A45C 13/083; A47F 1/04; B65D 71/0003;
B65D 2543/00222; B65D 2543/00296
See application file for complete search history.

(56) **References Cited**

U.S. PATENT DOCUMENTS

1,862,609 A 6/1932 Shaw

Primary Examiner — Kelley Donnelly
(74) *Attorney, Agent, or Firm* — Alan D. Kamrath;
Kamrath IP Lawfirm, P.A.

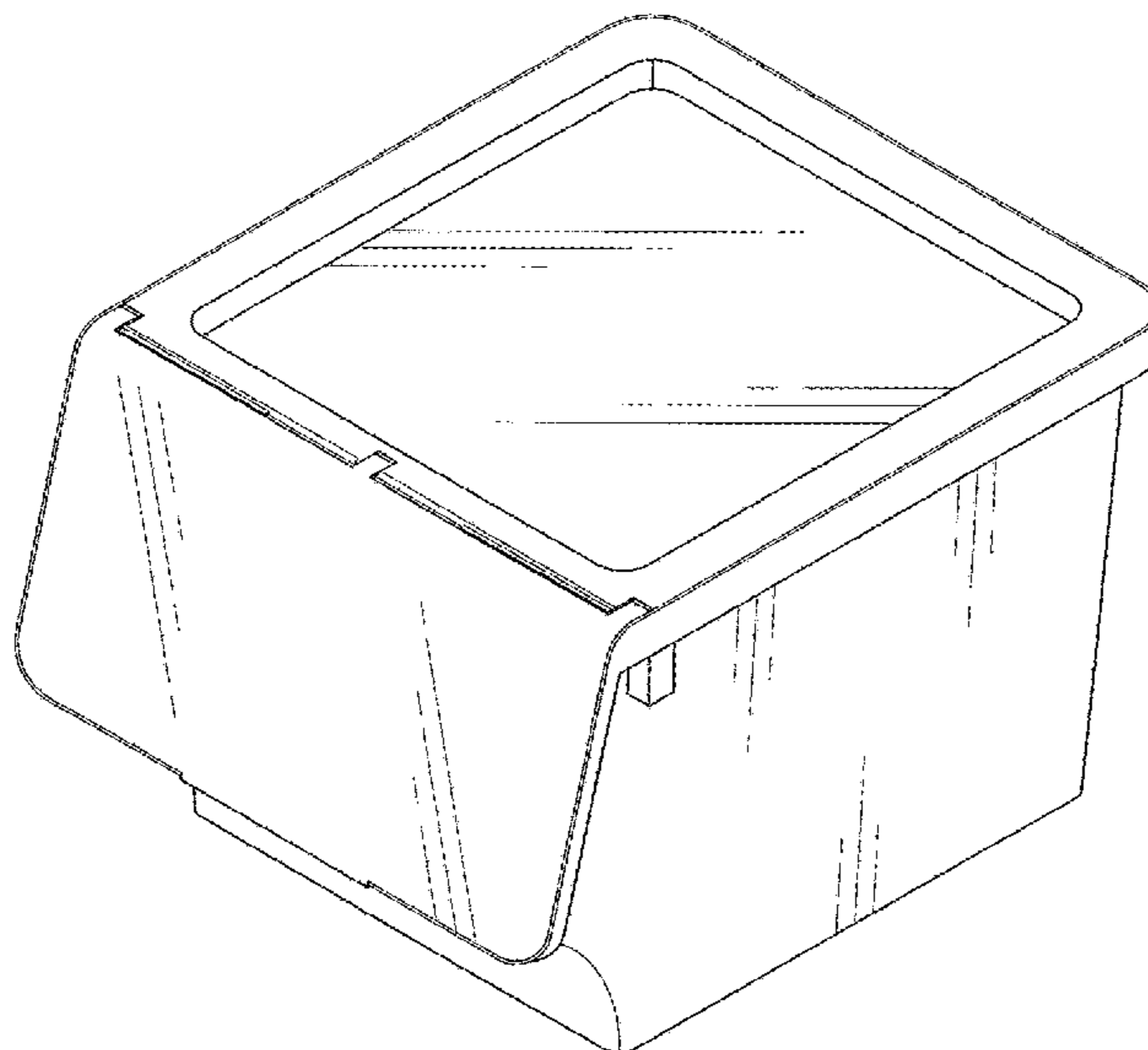
(57) **CLAIM**

The ornamental design for a container, as shown and described.

DESCRIPTION

FIG. 1 is a perspective view of a first embodiment of a container showing my new design;
FIG. 2 is a front view thereof;
FIG. 3 is a rear view thereof;
FIG. 4 is a left view thereof;
FIG. 5 is a right view thereof;
FIG. 6 is a top plan view thereof;
FIG. 7 is a bottom plan view thereof;
FIG. 8 is a perspective view of a second embodiment of a container showing my new design;
FIG. 9 is a front view of the container of FIG. 8;
FIG. 10 is a rear view of the container of FIG. 8;
FIG. 11 is a left view of the container of FIG. 8;
FIG. 12 is a right view of the container of FIG. 8;
FIG. 13 is a top plan view of the container of FIG. 8; and,
FIG. 14 is a bottom plan view of the container of FIG. 8.

1 Claim, 10 Drawing Sheets



(56)

References Cited

U.S. PATENT DOCUMENTS

D386,904	S	*	12/1997	Bradshaw, Jr.	D3/273
D429,882	S		8/2000	Lee		
D515,313	S		2/2006	Uffner		
D588,907	S	*	3/2009	Cesario, Jr.	D9/418
7,789,238	B2		9/2010	Claypool		
D636,198	S		4/2011	Gibbs		
D645,902	S		9/2011	Tsai		
D646,057	S		10/2011	Loaiza		
D651,801	S		1/2012	Brown		
8,215,485	B2	*	7/2012	Maroofian	B65D 75/24 206/445
D676,238	S	*	2/2013	Wu	D3/294
D677,055	S		3/2013	Nowicky		
D689,194	S		9/2013	Vivenzio		
D694,975	S		12/2013	Lambertson, Jr.		
D697,310	S		1/2014	Snider		
D699,045	S		2/2014	Gomes		
D719,731	S		12/2014	Burgess		
D720,358	S		12/2014	Ginsterblum		
D731,186	S	*	6/2015	Hsu	D3/304
D753,918	S	*	4/2016	Lindsay	D19/86
D759,972	S	*	6/2016	Duvigneau	D3/281
D762,065	S	*	7/2016	Hsu	D3/304
2006/0124653	A1		6/2006	McRorie, III		
2010/0006467	A1		1/2010	Joseph		

* cited by examiner

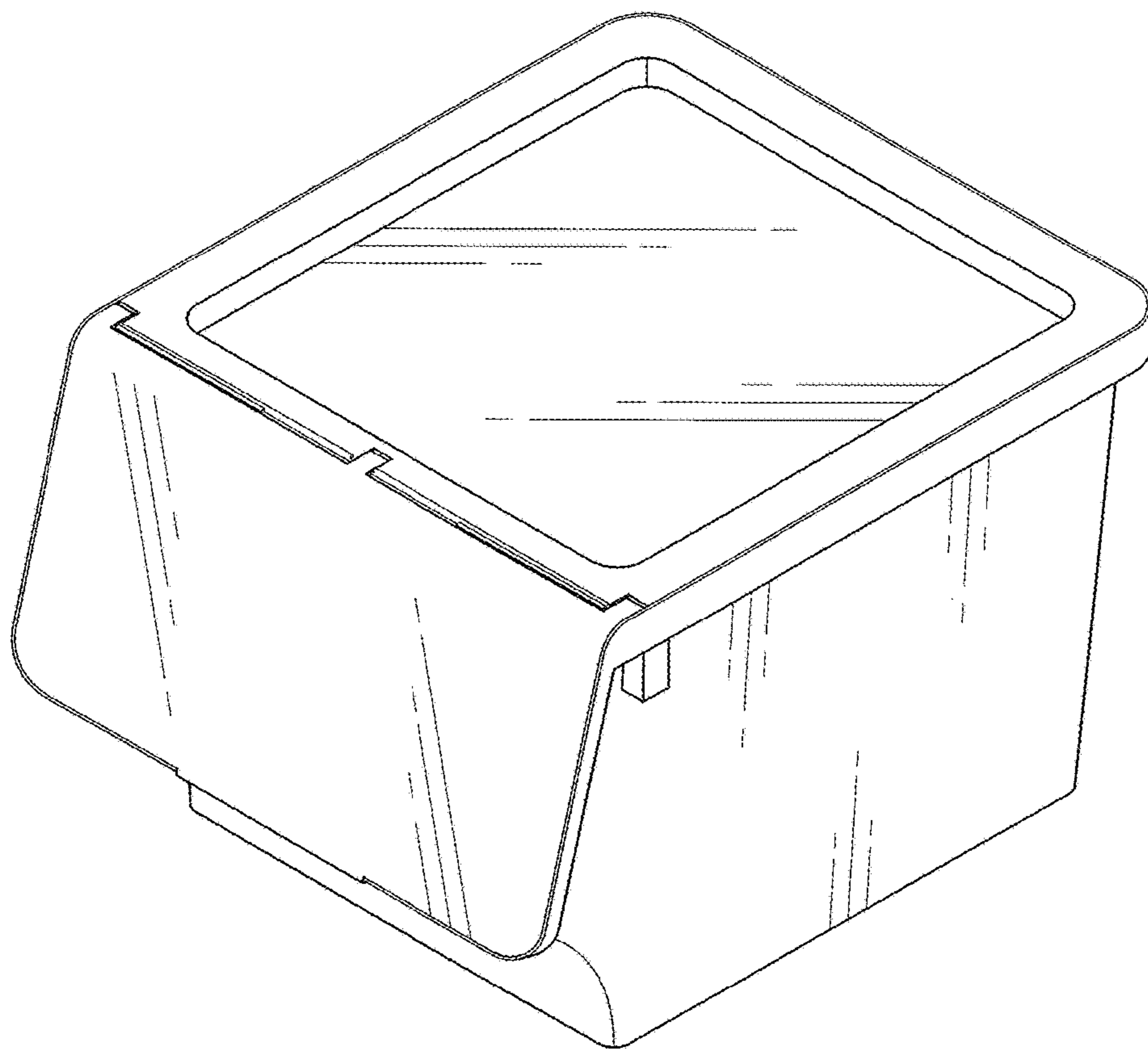


FIG. 1

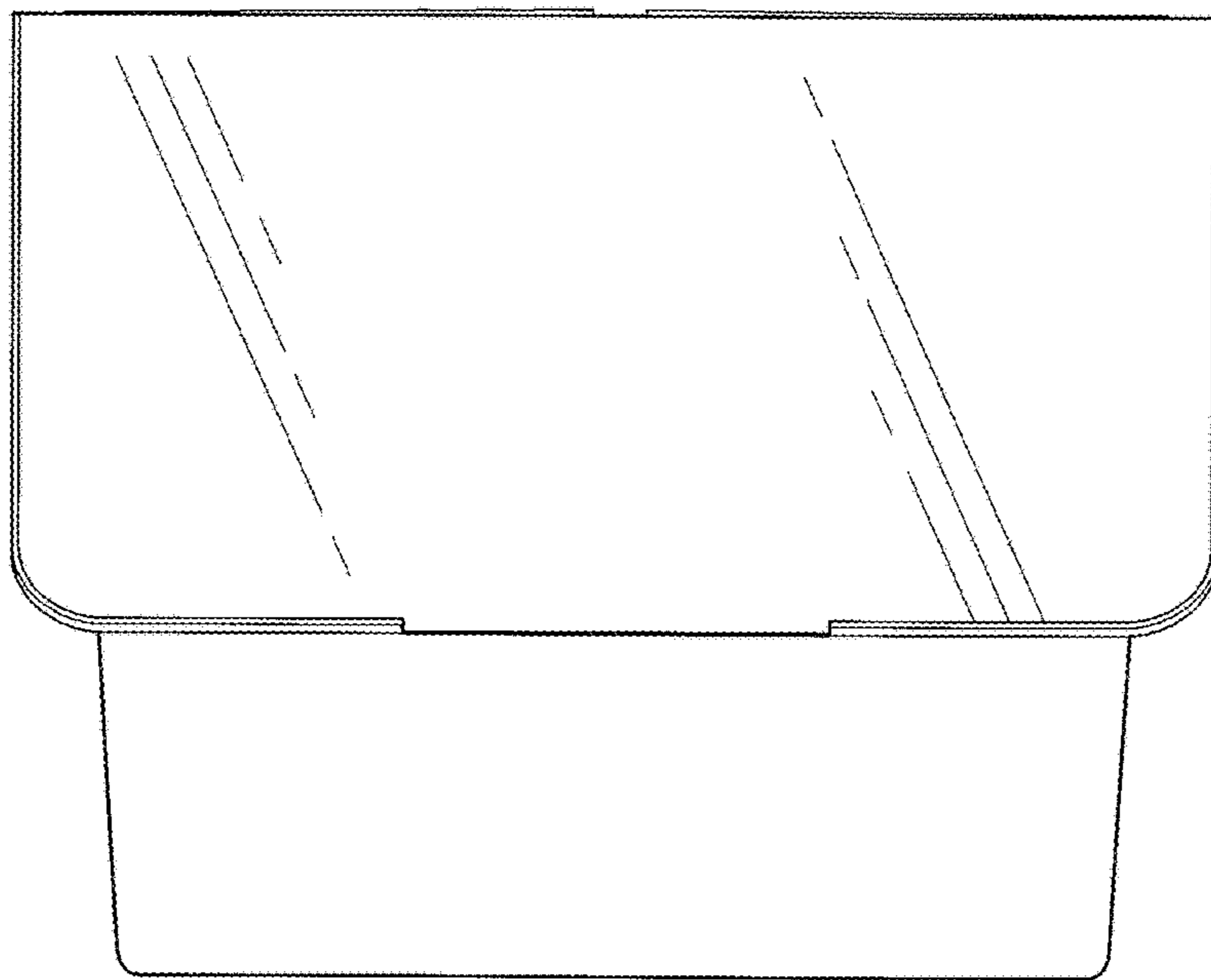


FIG. 2

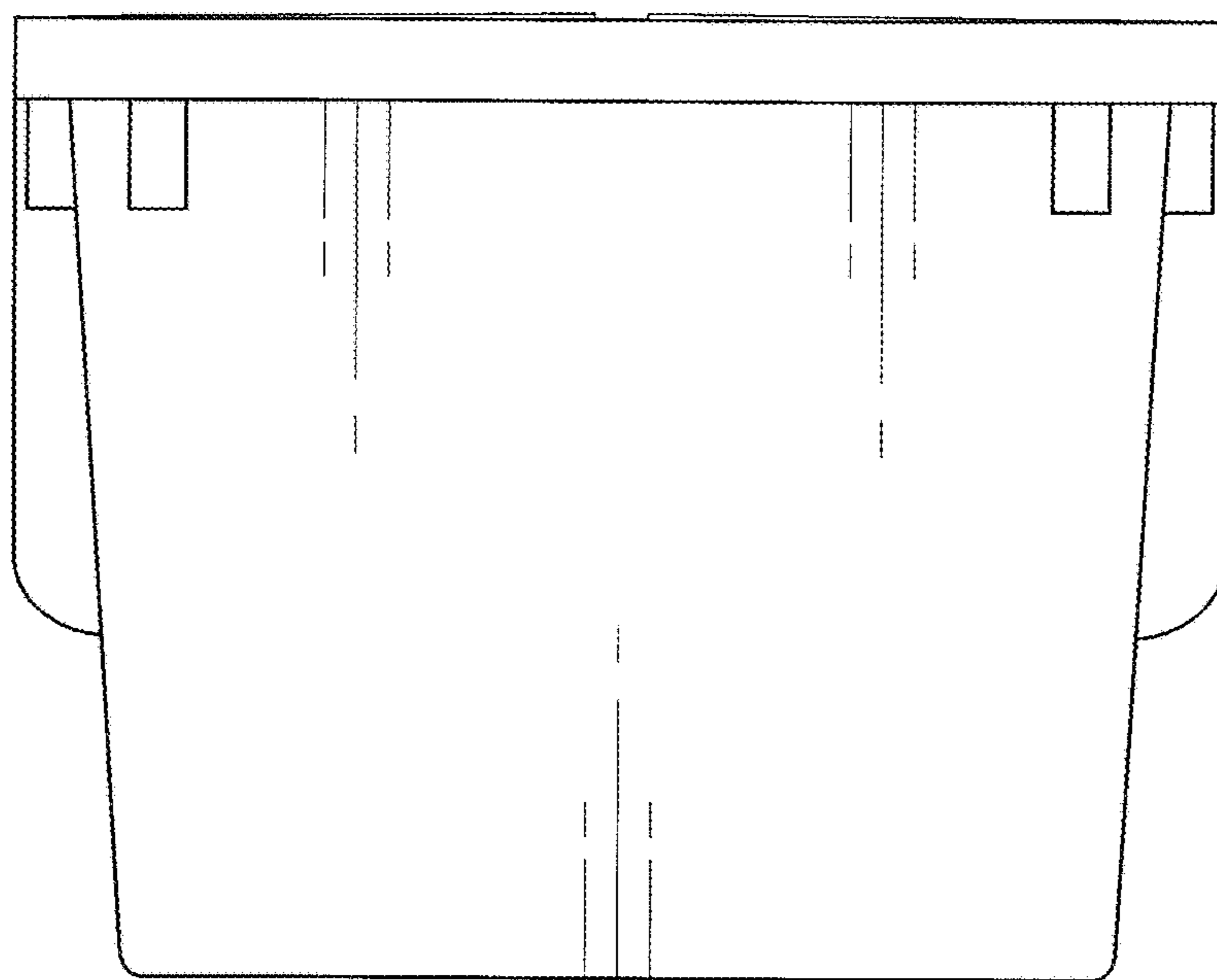


FIG. 3

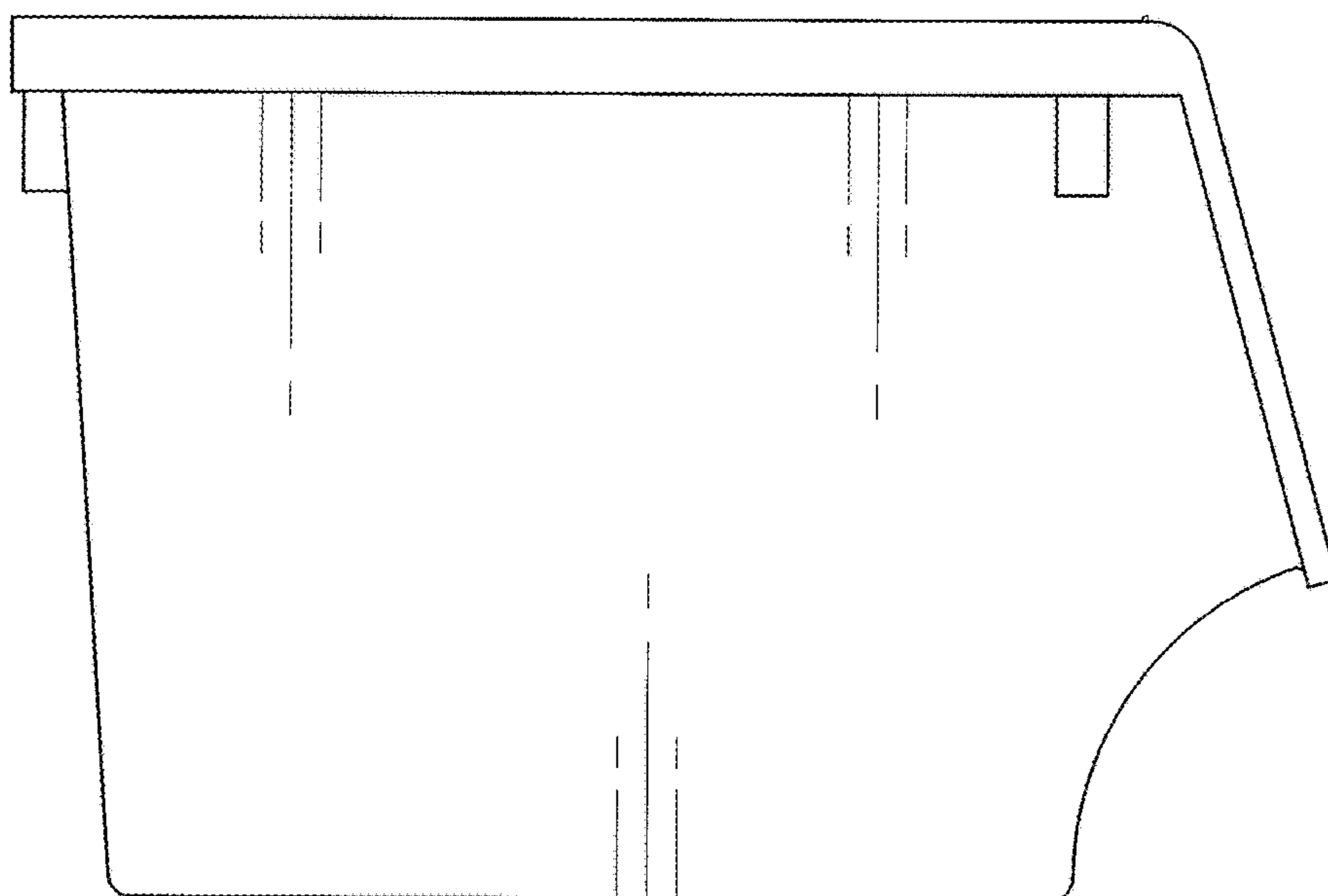


FIG. 4

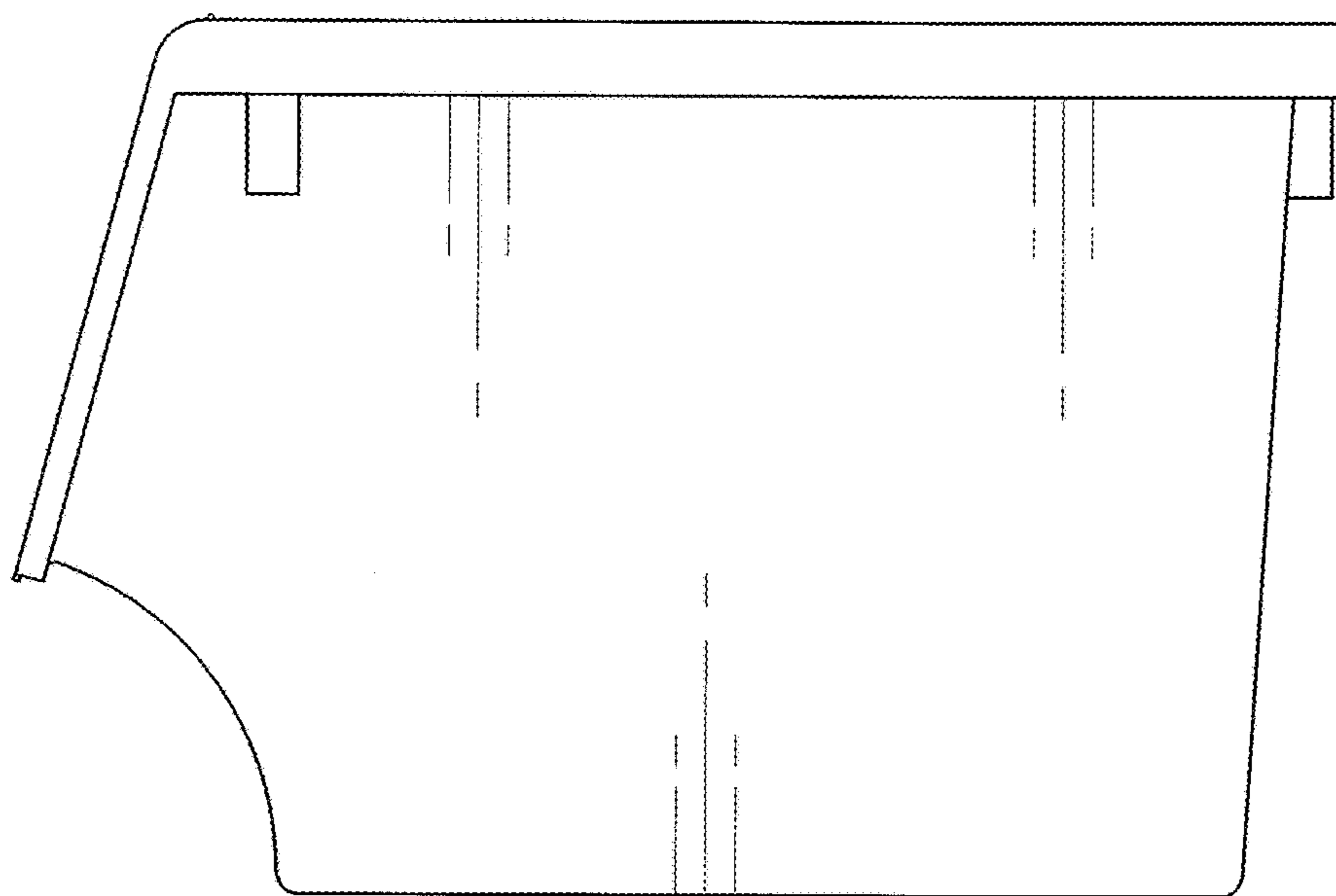


FIG. 5

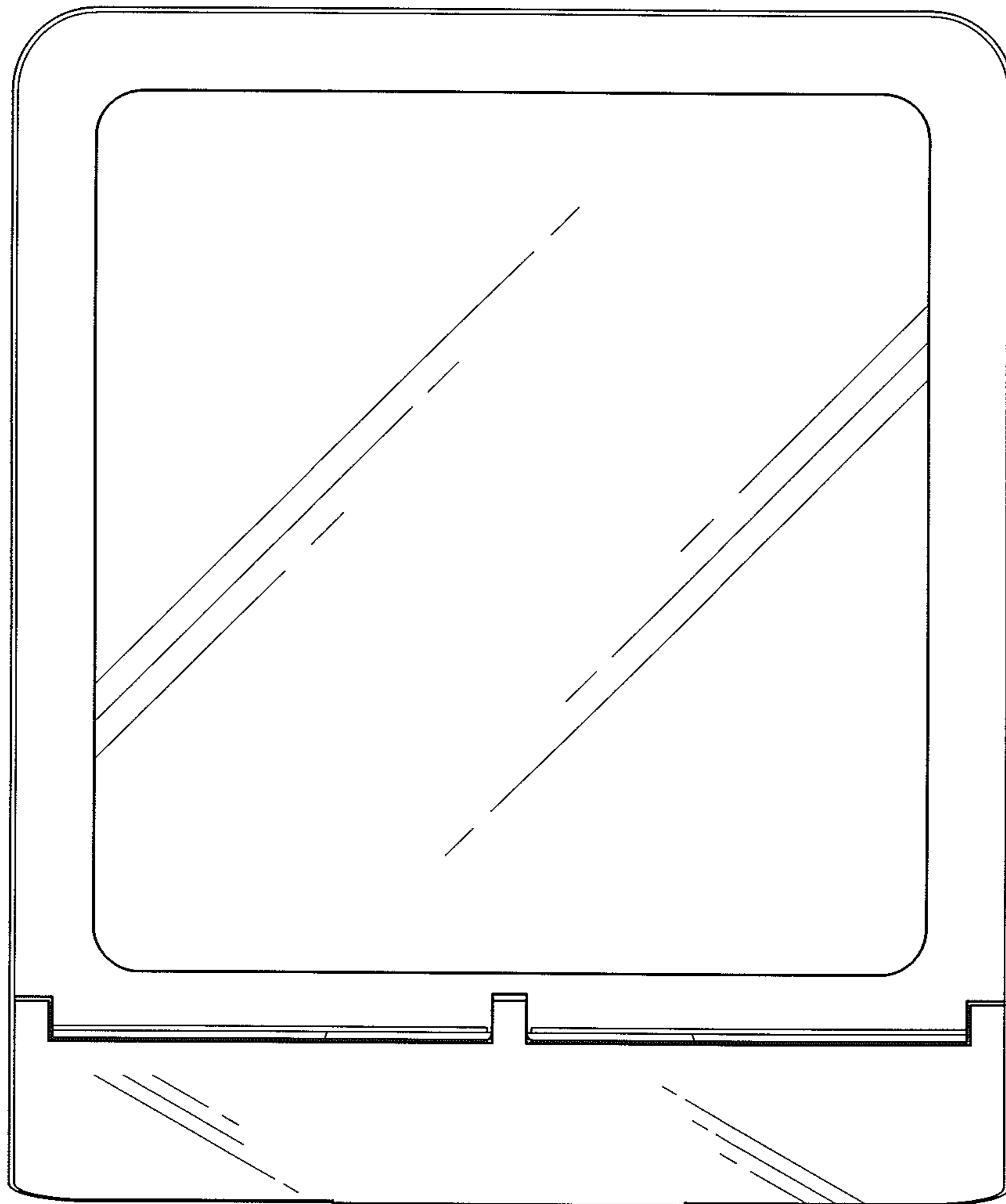


FIG. 6

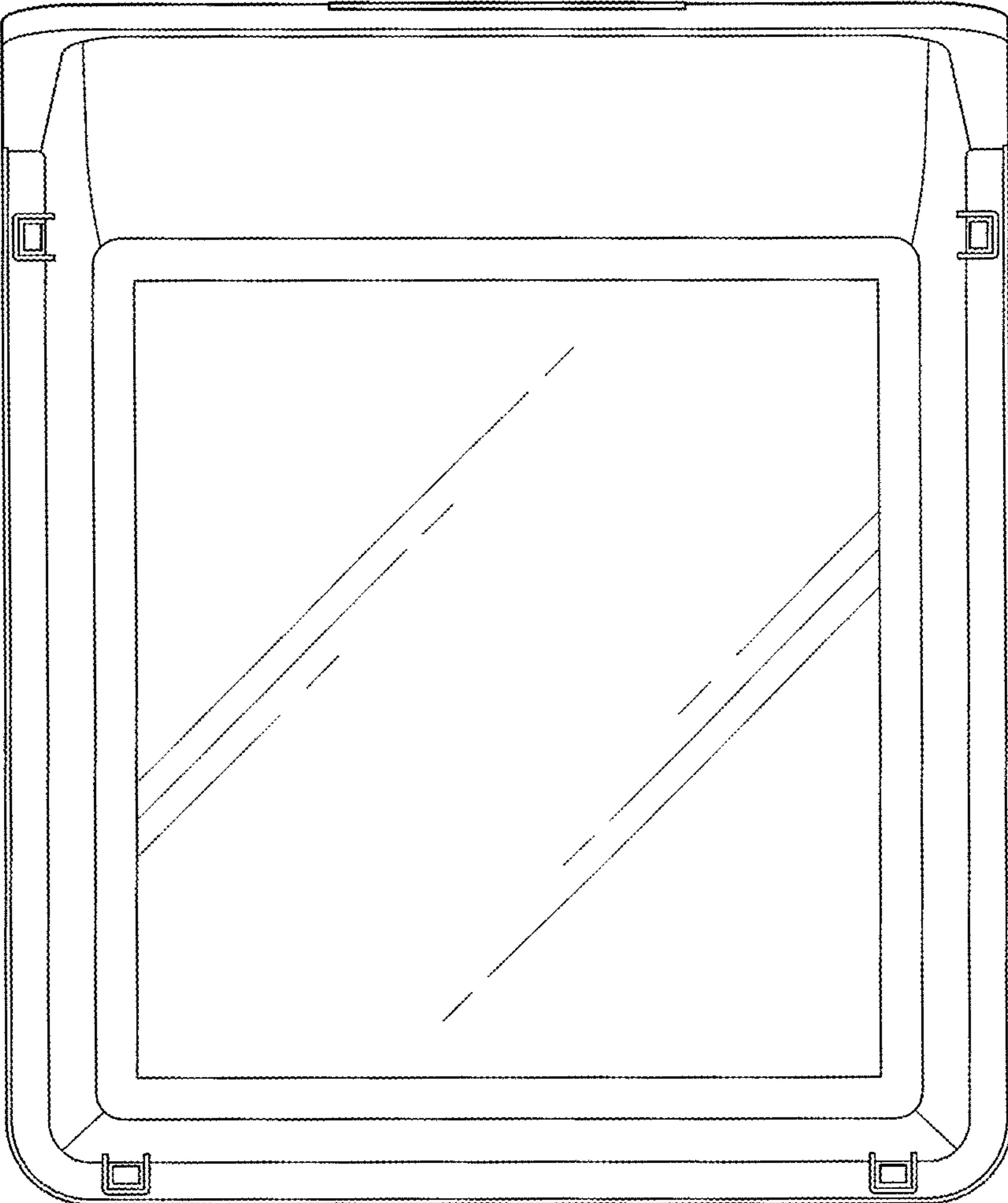


FIG. 7

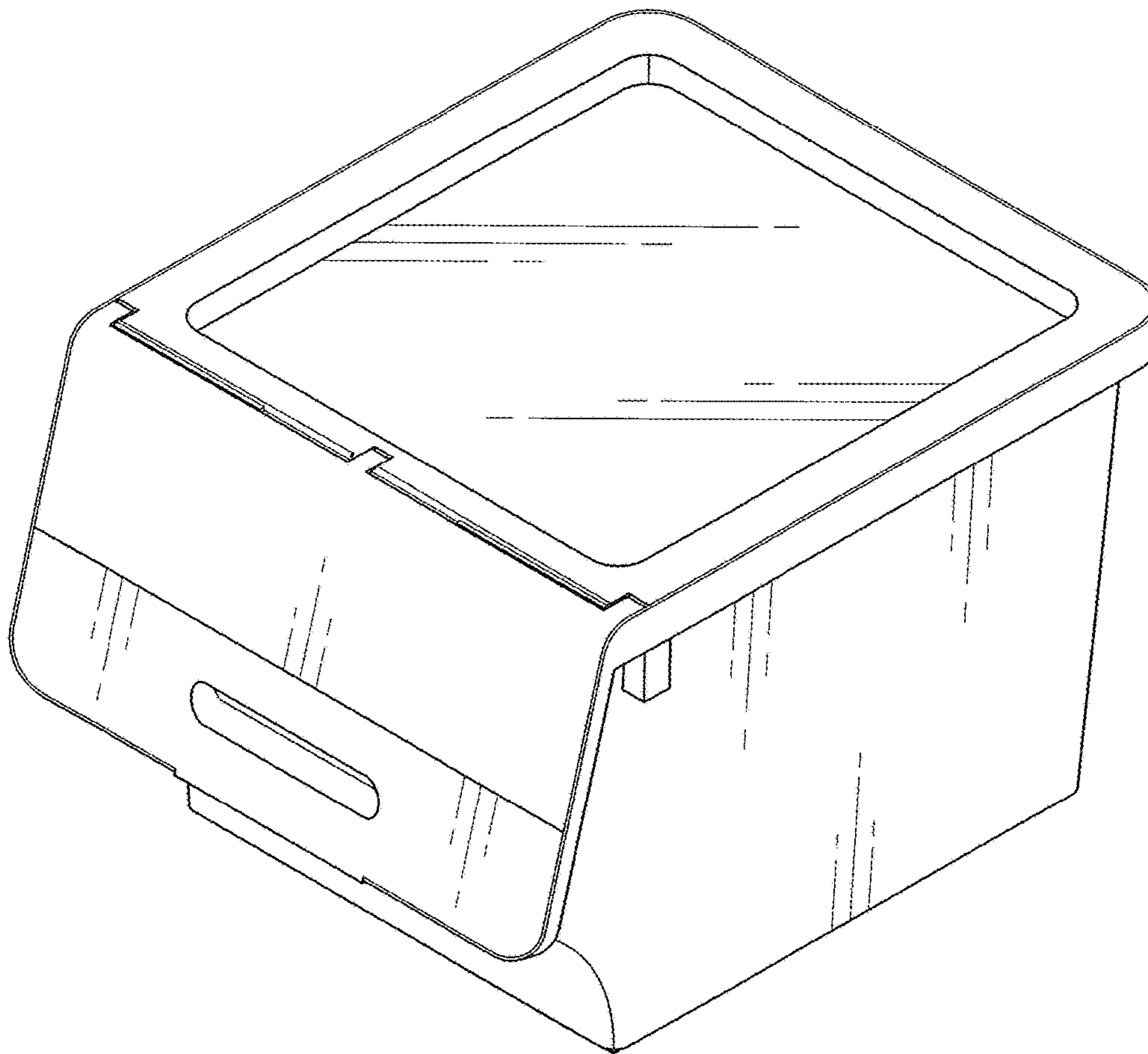


FIG. 8

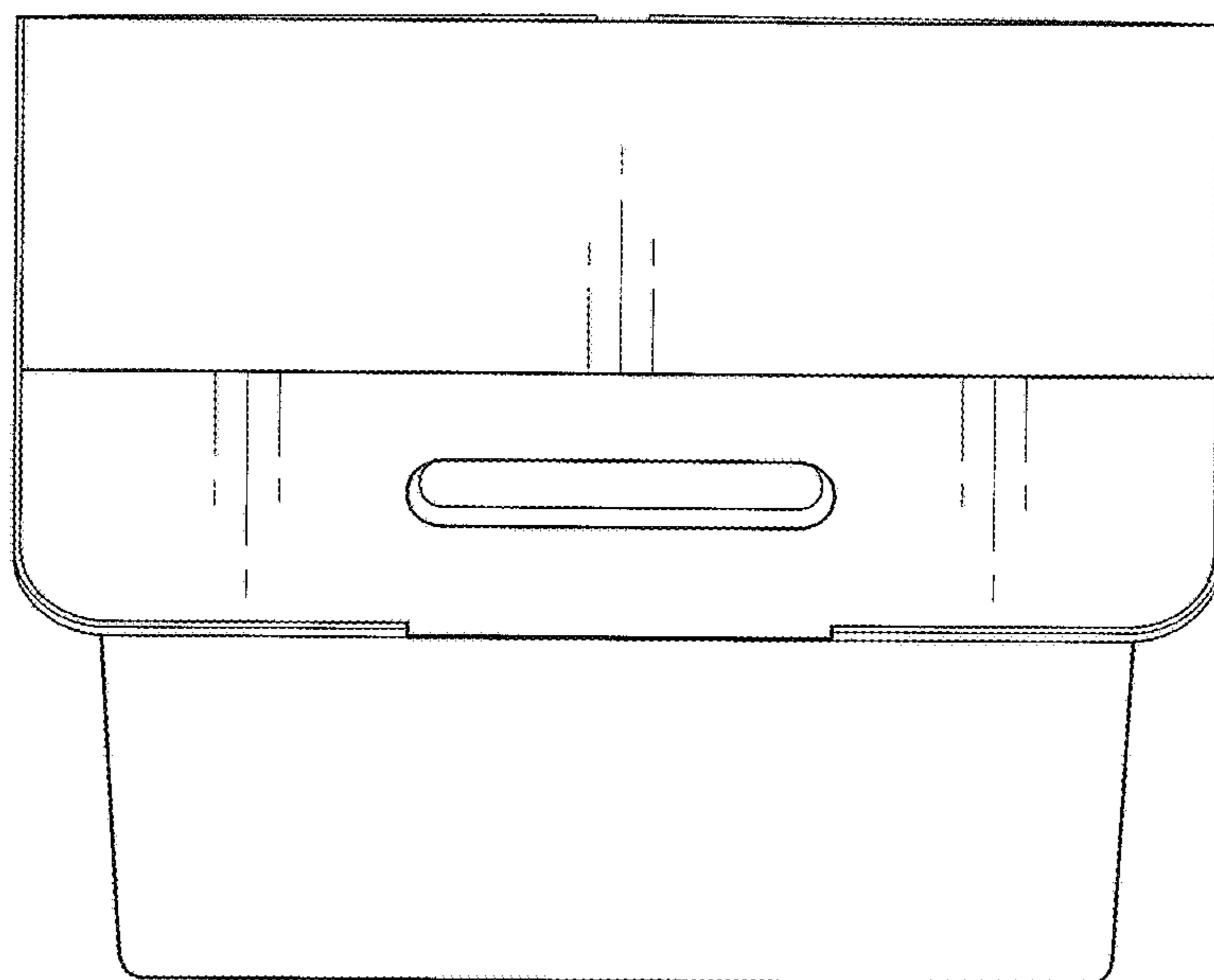


FIG. 9

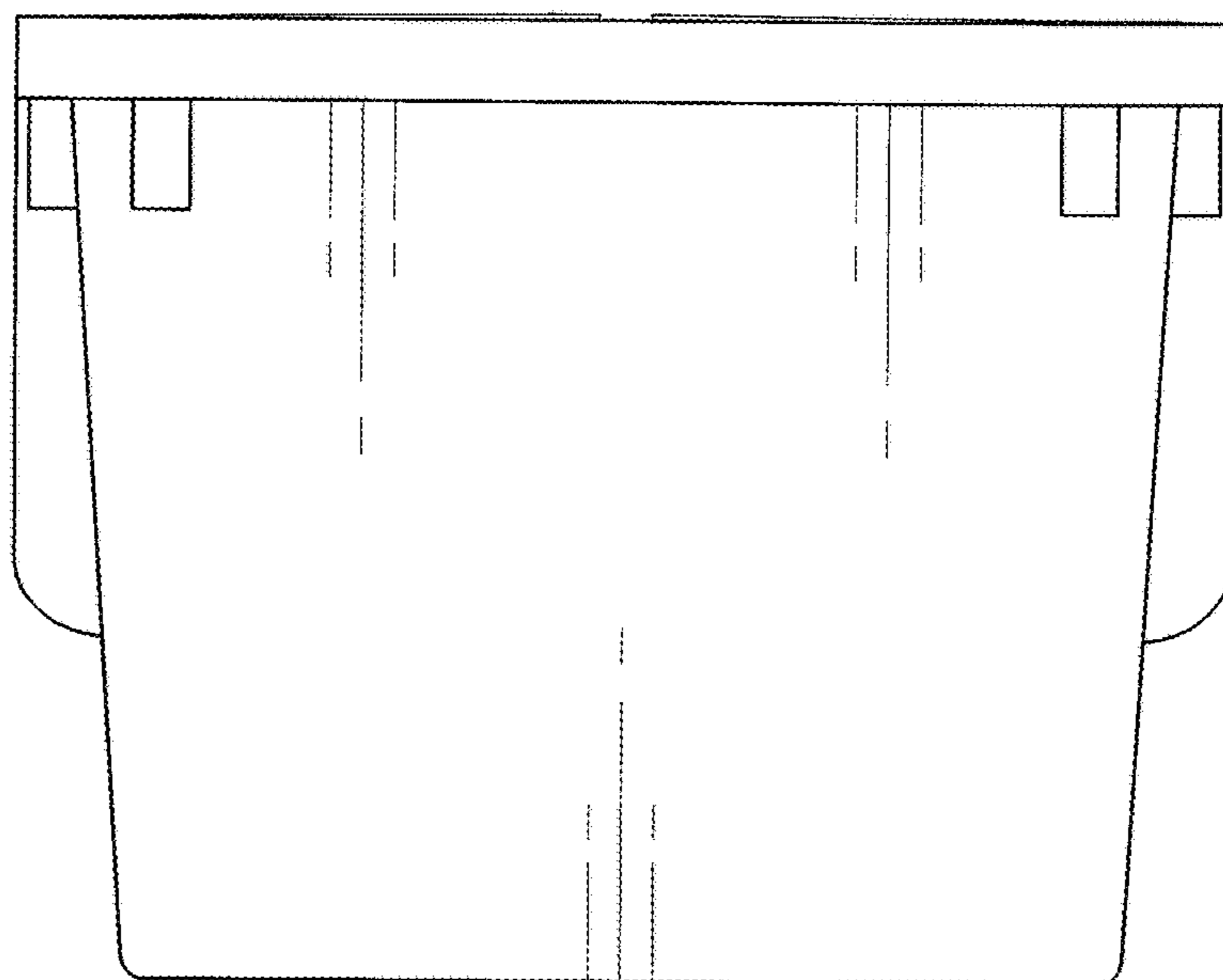


FIG. 10

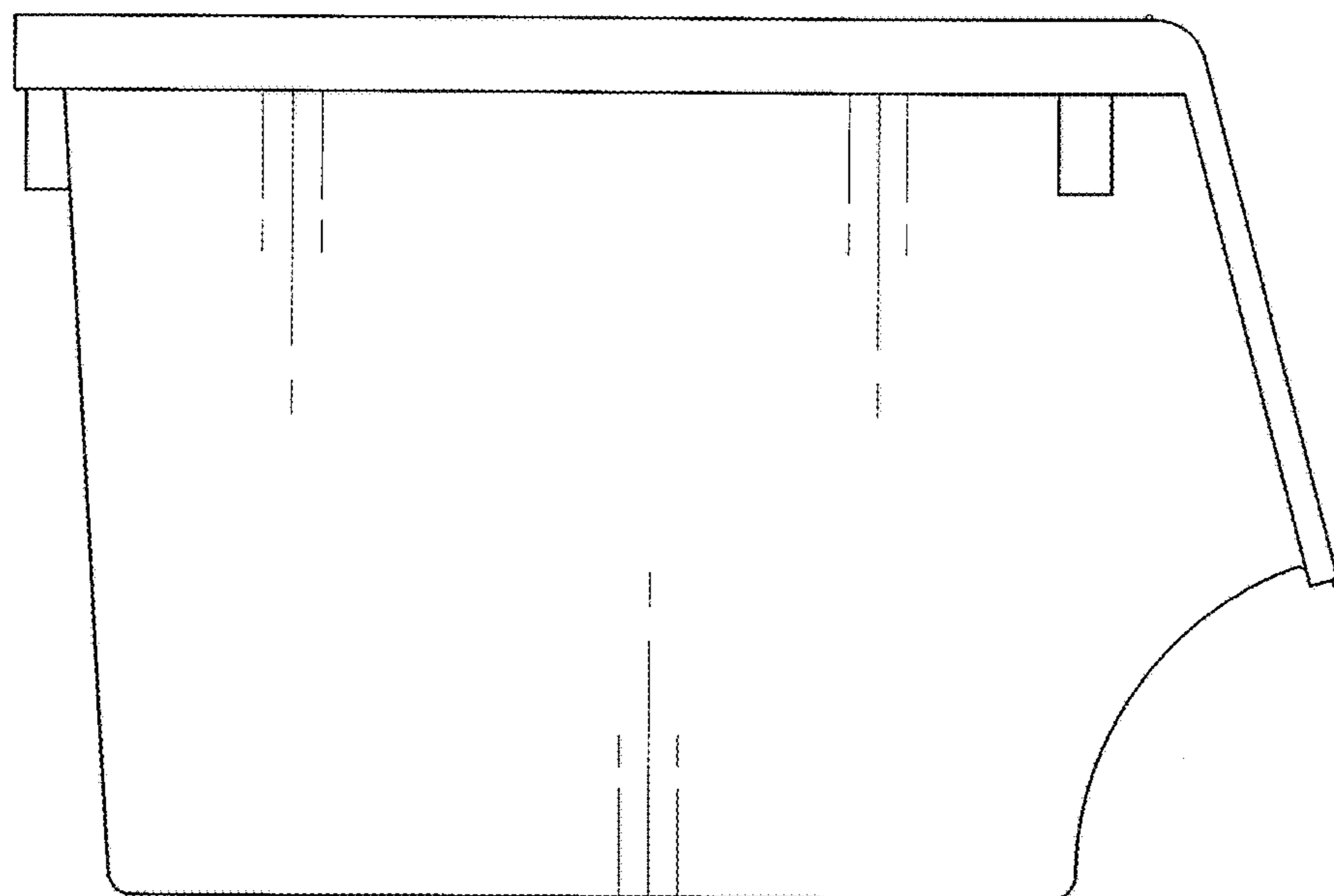


FIG. 11

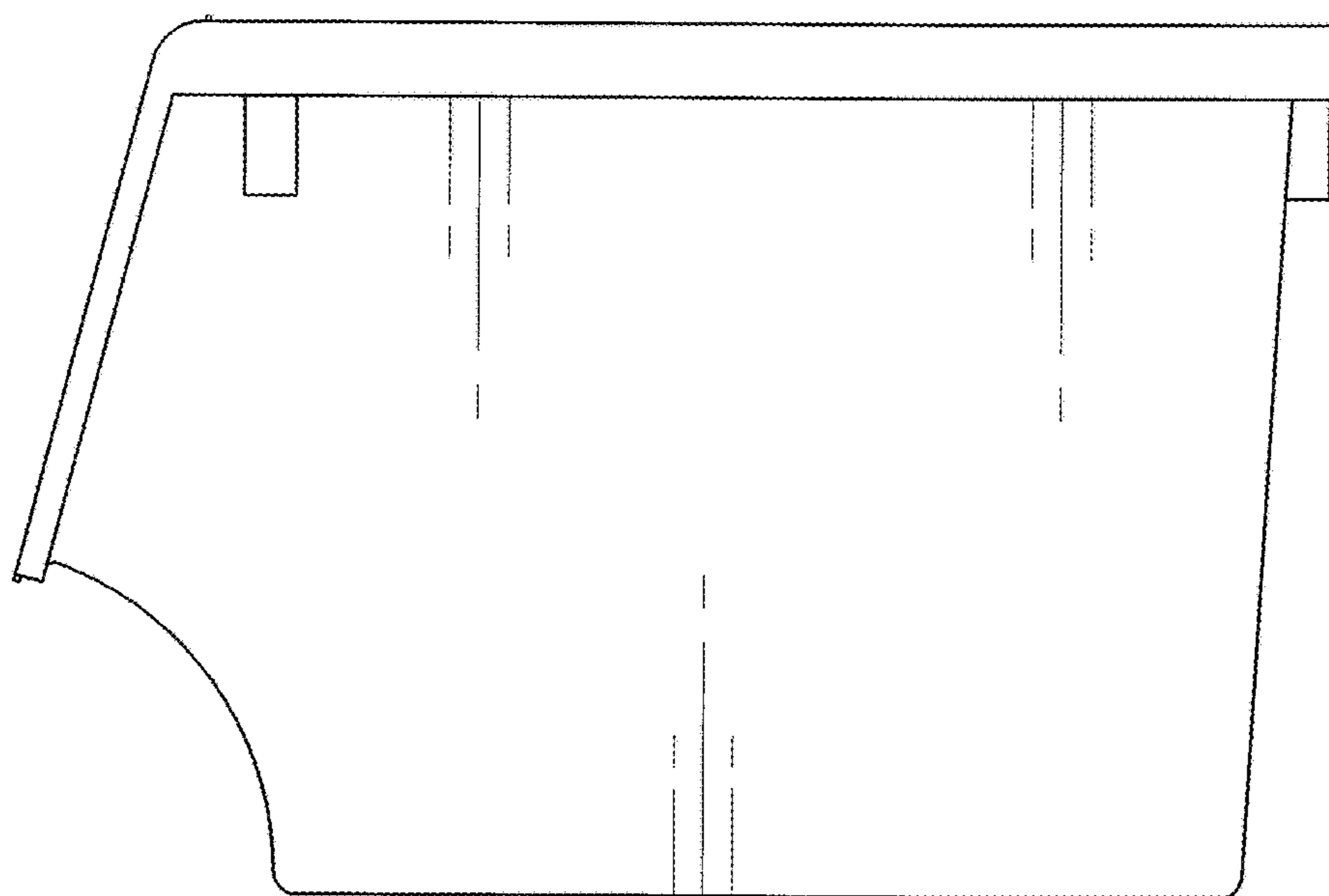


FIG. 12

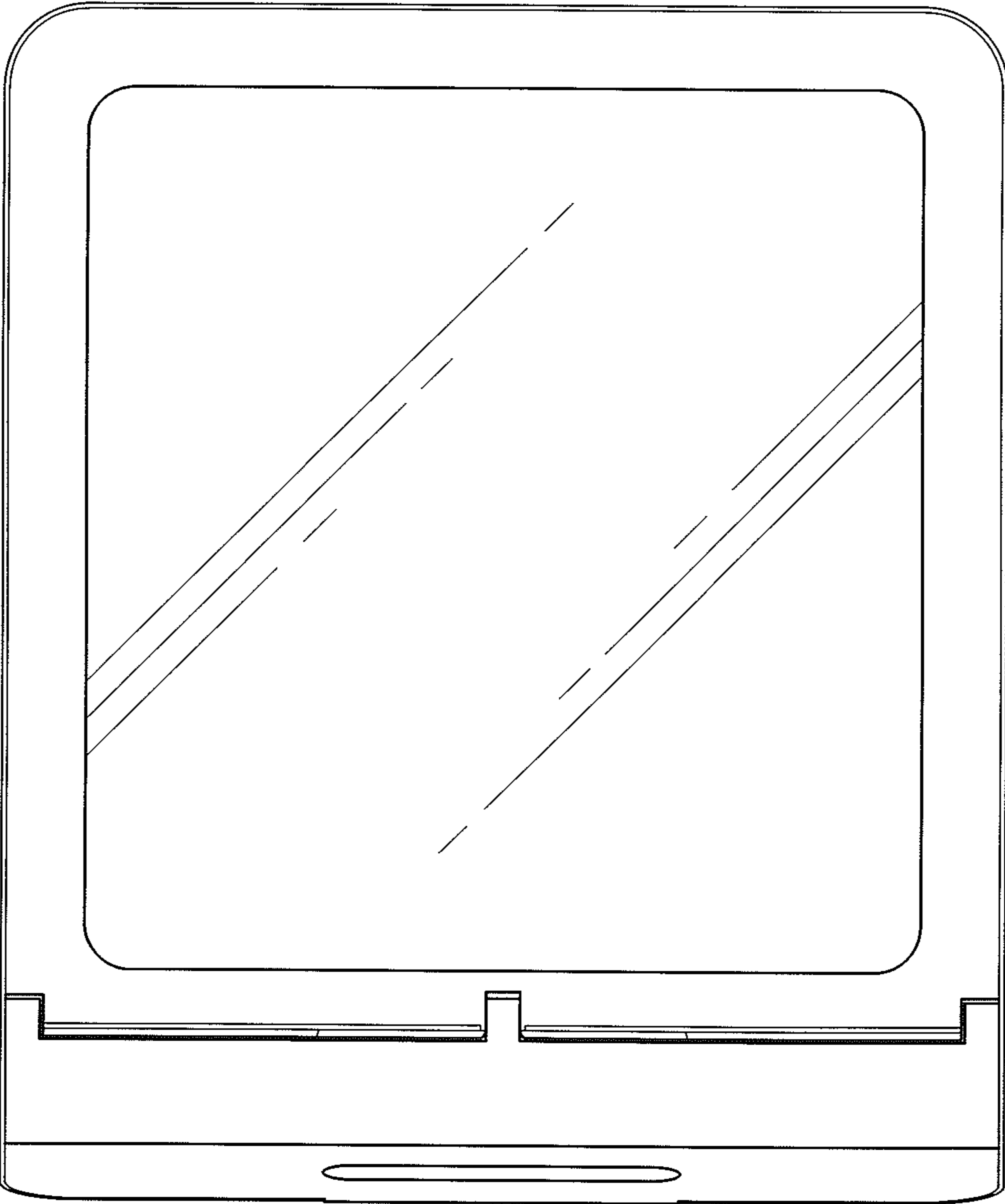


FIG. 13

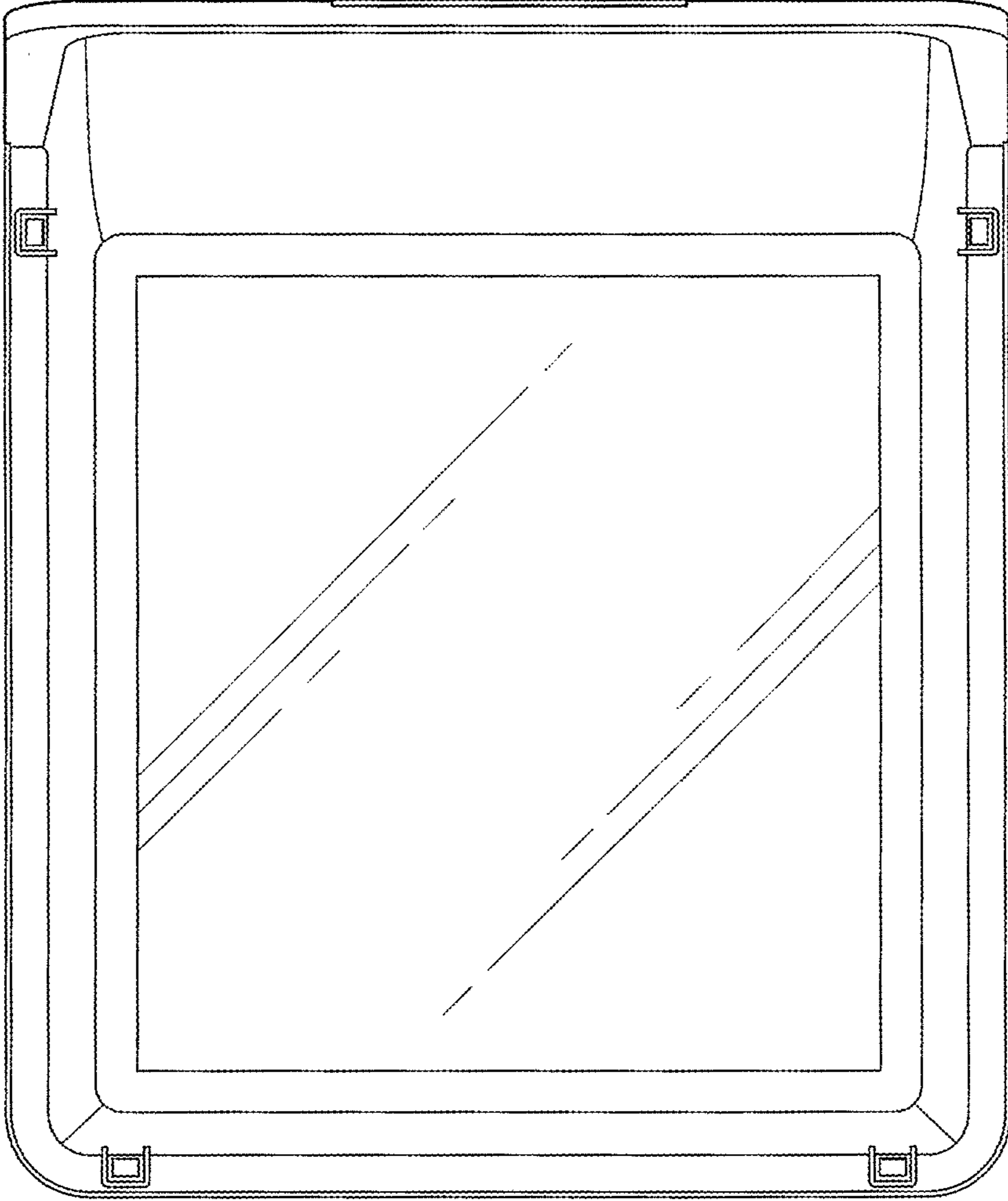


FIG. 14