



US00D777426S

(12) **United States Design Patent** (10) **Patent No.:** **US D777,426 S**
Dahl (45) **Date of Patent:** **** Jan. 31, 2017**

(54) **AMMUNITION BOX**

- (71) Applicant: **PLASTPACK DEFENCE APS**,
Hvidovre (DK)
- (72) Inventor: **Joergen Dahl**, Fjenneslev (DK)
- (73) Assignee: **PlastPack Defence ApS**, Hvidovre
(DK)
- (**) Term: **14 Years**
- (21) Appl. No.: **29/519,566**
- (22) Filed: **Mar. 5, 2015**

(30) **Foreign Application Priority Data**

Feb. 27, 2015 (EM) 002642942

(51) **LOC (10) Cl.** **03-01**

(52) **U.S. Cl.**
USPC **D3/262; D3/276; D3/294**

(58) **Field of Classification Search**
USPC D3/273, 274, 275, 276, 281, 282, 284,
D3/292, 291, 904, 294, 295, 296, 302,
D3/905, 901, 903, 262; D12/409, 410
CPC A45C 5/04; A45C 11/16; A45C 11/00;
F41A 9/79

See application file for complete search history.

(56) **References Cited**

U.S. PATENT DOCUMENTS

D373,247 S *	9/1996	Dickinson	D3/281
D502,597 S *	3/2005	Eastman	D3/273
D511,624 S *	11/2005	Rosine	D3/273
D527,522 S *	9/2006	Kammerer	D3/291
D577,928 S *	10/2008	Wong	D3/295
D615,022 S *	5/2010	Schanz	D12/409
D701,044 S *	3/2014	Kishimoto	D3/272
D712,141 S *	9/2014	Minneman	D3/262
D738,105 S *	9/2015	Shitrit	D3/276
D741,597 S *	10/2015	Minneman	D3/262
D743,169 S *	11/2015	Therkorn	D3/282
2015/0034515 A1 *	2/2015	Monyak	B25H 3/02 206/349

OTHER PUBLICATIONS

Sportsman's Guide Online Store, "3-Pk. of .30 cal. Ammo Cans, Black", Accessed Apr. 26, 2016. First reviewed "Four Years Ago". (<http://www.sportsmansguide.com/product/index/3-pk-of-30-cal-ammo-cans-black?a=1084011>).*

Midsouth Shooters Supply Online Store, "Shooting Range Organization". Accessed Apr. 26, 2016. (<http://www.midsouthshooterssupply.com/Dept/Shooting/Range-Organization>).*

PlastPackDefence, "Light Weight Ammunition Cases (LWAC)", Accessed Apr. 5, 2016. ([http://www.ppddk.dk/light-weight-ammunition-cases-\(lwac\).html](http://www.ppddk.dk/light-weight-ammunition-cases-(lwac).html)).*

* cited by examiner

Primary Examiner — Jennifer Rivaro

Assistant Examiner — April Rivas

(74) *Attorney, Agent, or Firm* — Flener IP Law, LLC;
Zareefa B. Flener

(57) **CLAIM**

We claim the ornamental design for an ammunition box, as shown and described.

DESCRIPTION

FIG. 1 is a front perspective view of an ammunition box showing our new design;

FIG. 2 is a rear perspective view of an ammunition box showing our new design;

FIG. 3 is a front view of the ammunition box showing our new design;

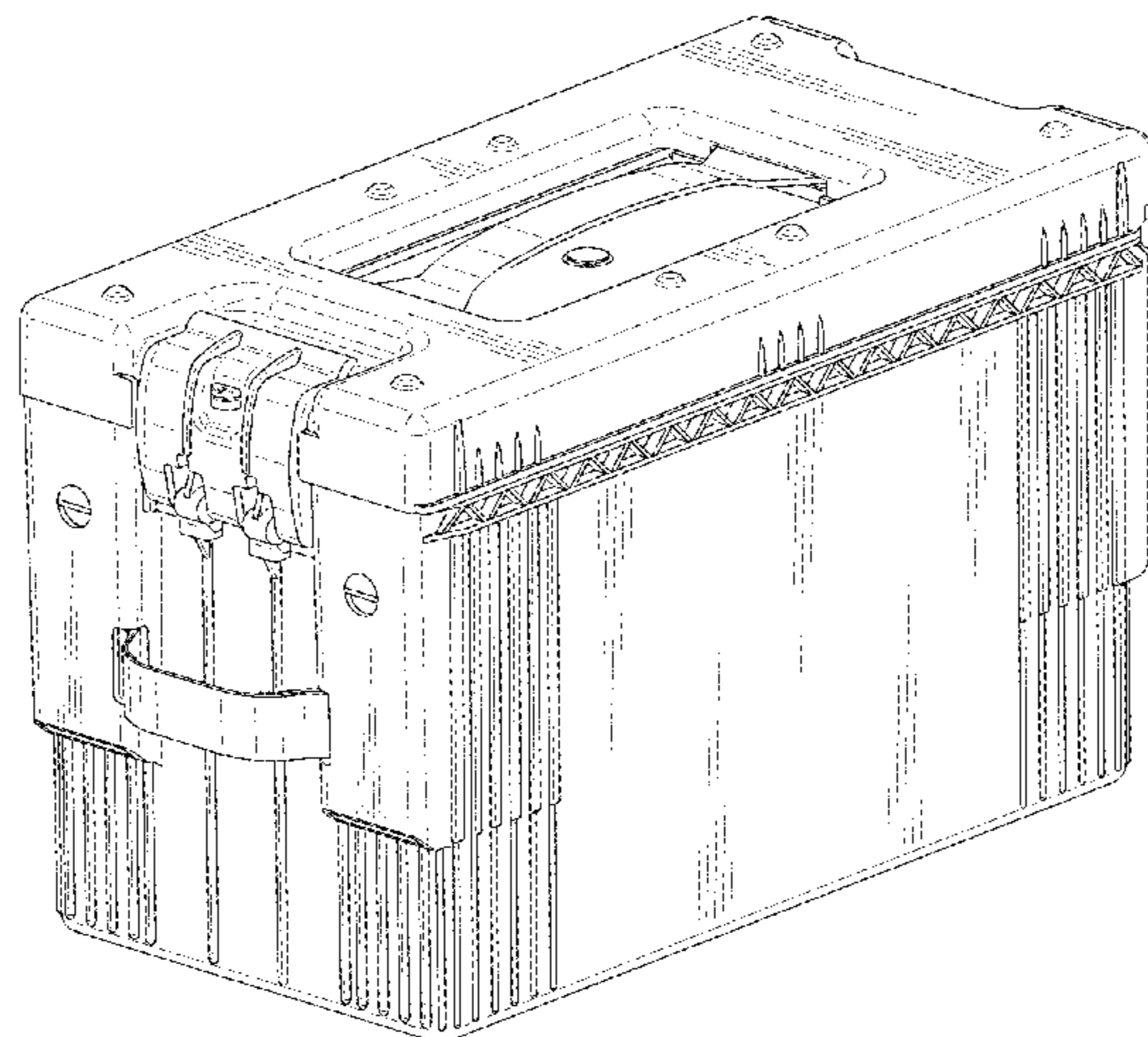
FIG. 4 is a left side view of the ammunition box showing our new design;

FIG. 5 is a right side view of the ammunition box showing our new design;

FIG. 6 is a top plan view of the ammunition box showing our new design; and,

FIG. 7 is a bottom plan view of the ammunition box showing our new design.

1 Claim, 7 Drawing Sheets



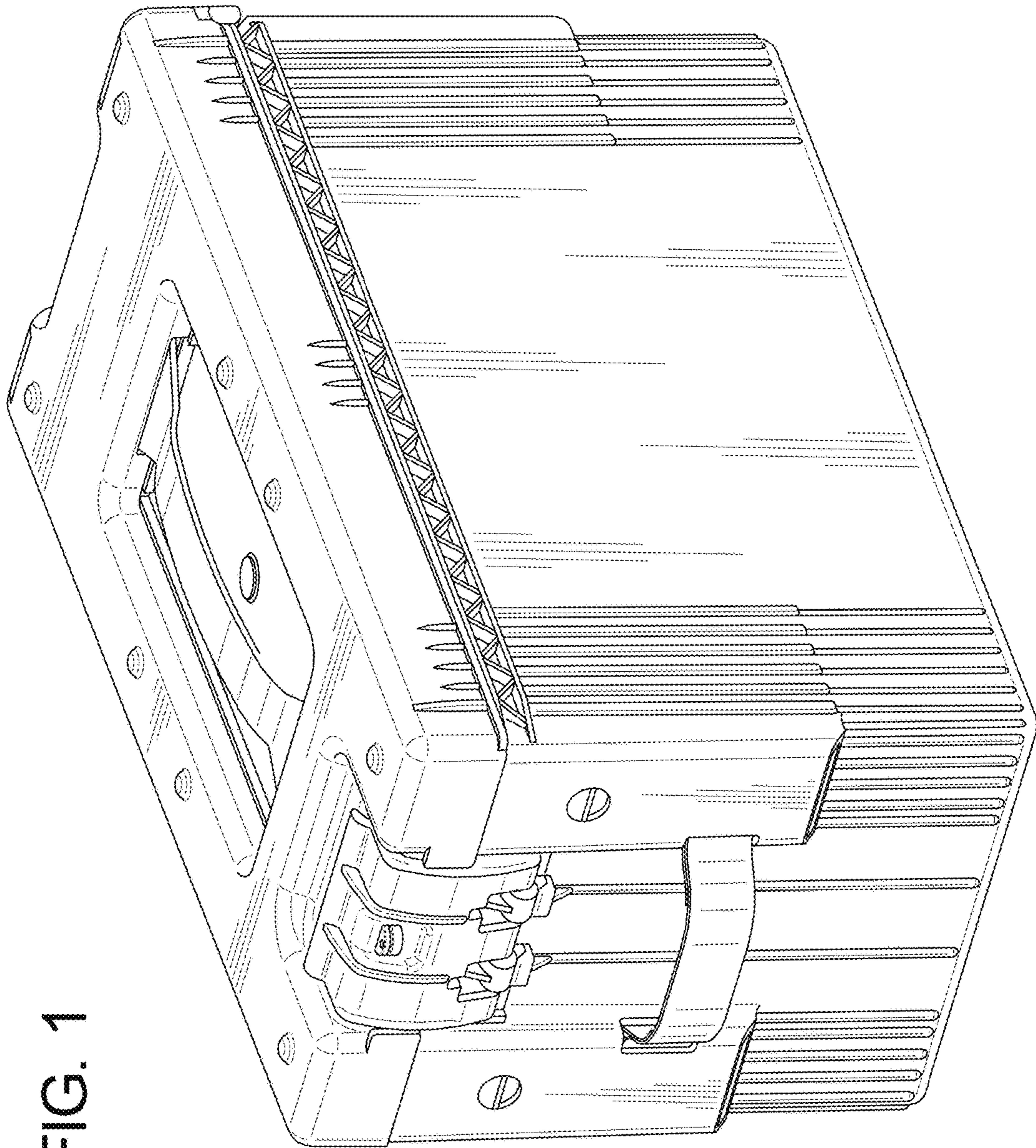


FIG. 1

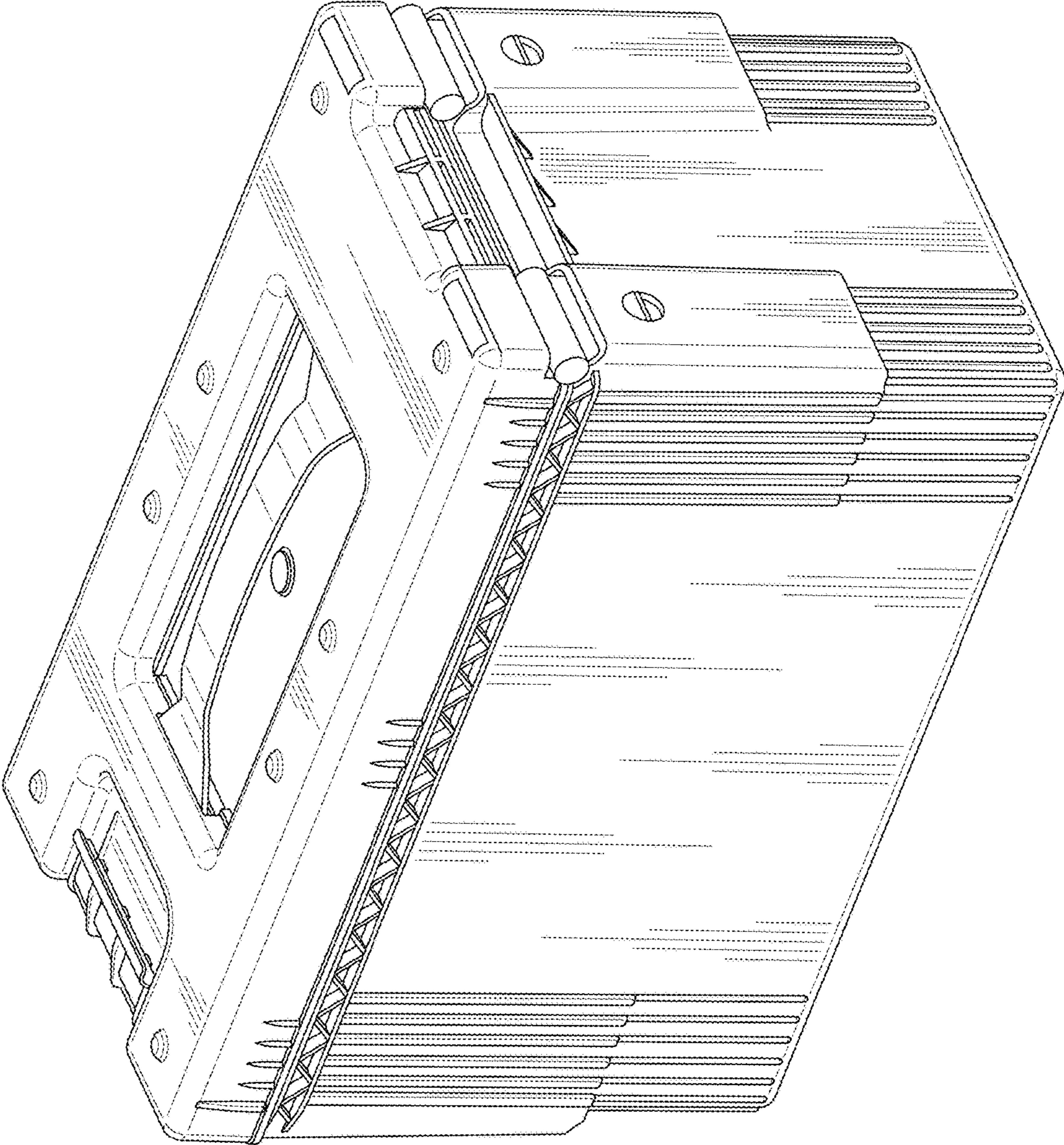


FIG. 2

FIG. 3

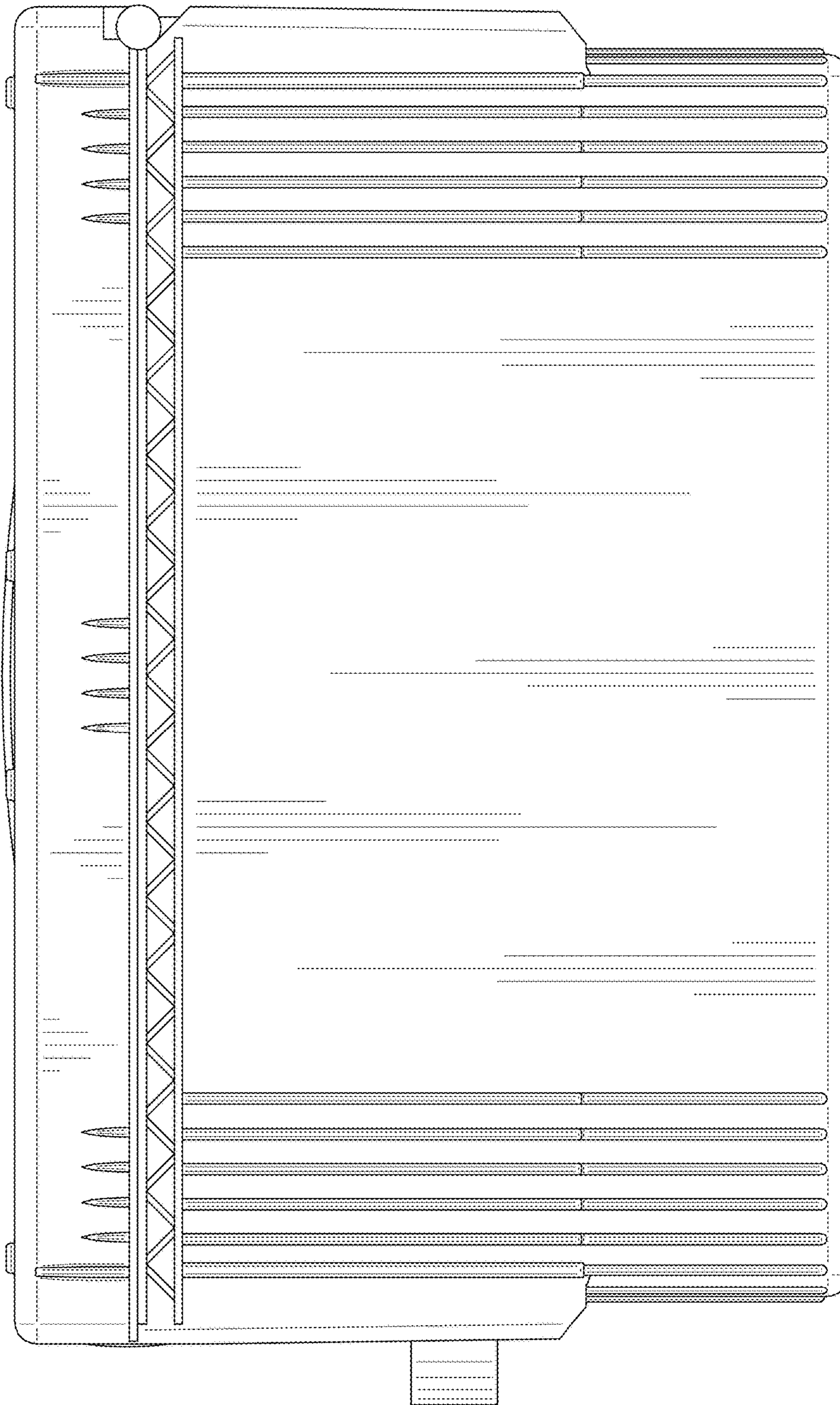


FIG. 4

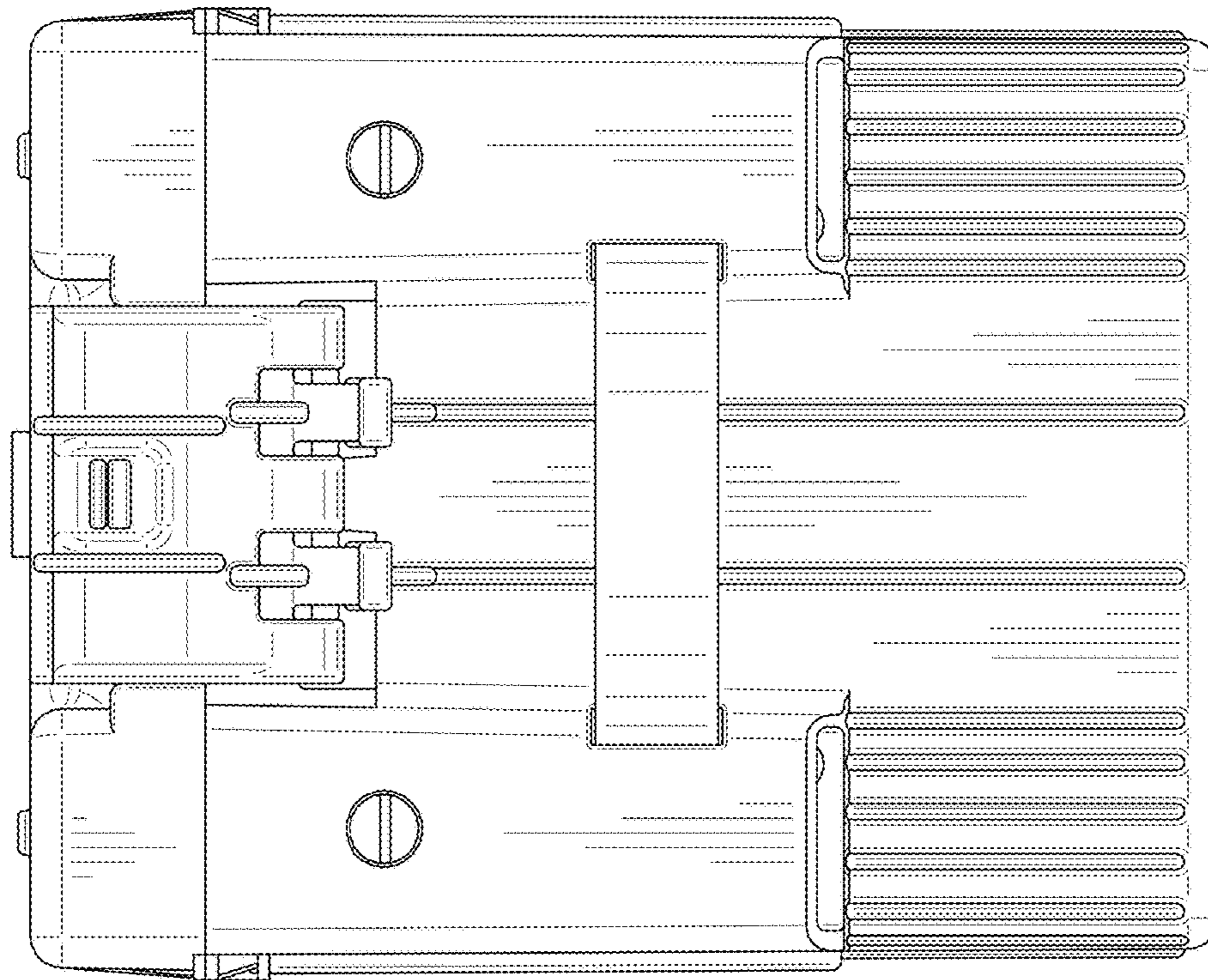


FIG. 5

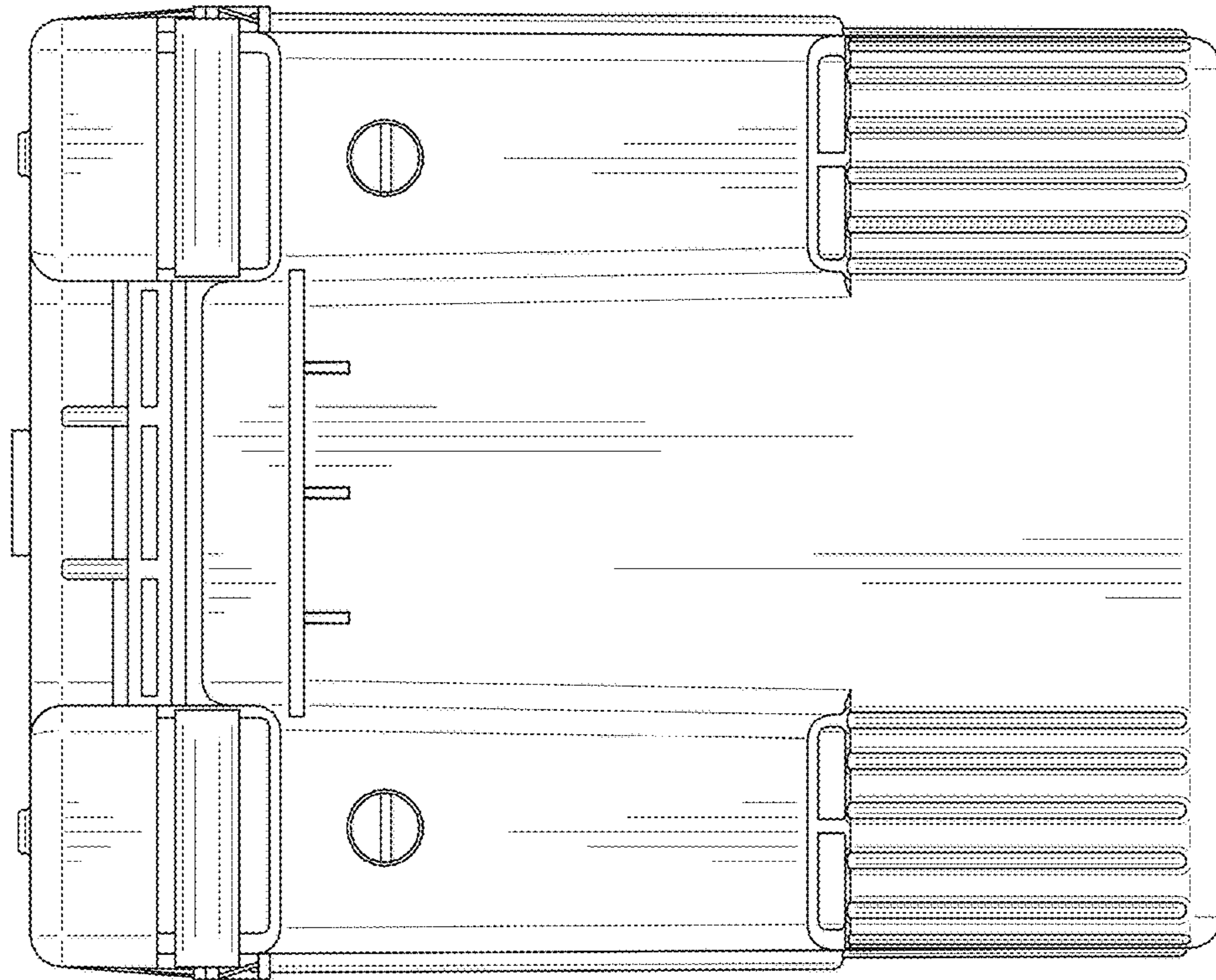


FIG. 6

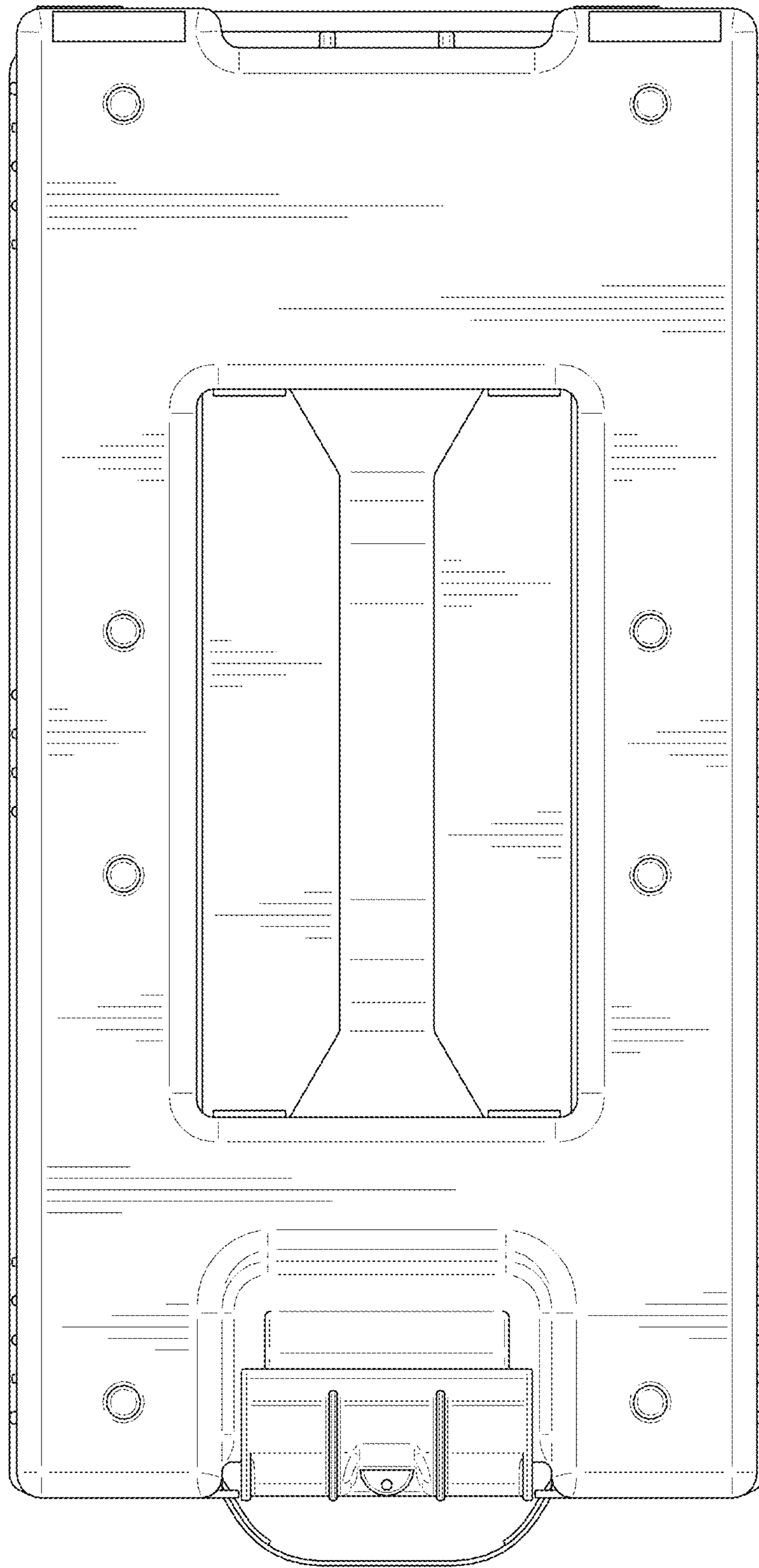


FIG. 7

