



US00D777423S

(12) **United States Design Patent**
Munson

(10) **Patent No.:** **US D777,423 S**
(45) **Date of Patent:** **** Jan. 31, 2017**

(54) **PISTOL WRAP**

(71) Applicant: **Saddleback Leather Company, LLC,**
San Antonio, TX (US)

(72) Inventor: **David C. Munson,** San Antonio, TX
(US)

(73) Assignee: **Saddleback Leather Company, LLC,**
San Antonio, TX (US)

(**) Term: **14 Years**

(21) Appl. No.: **29/517,211**

(22) Filed: **Feb. 11, 2015**

(51) **LOC (10) Cl.** **03-01**

(52) **U.S. Cl.**
USPC **D3/222**

(58) **Field of Classification Search**
USPC D3/222–223, 224, 226, 220, 262;
224/192–193, 198, 238, 243, 233, 587,
224/911–912
CPC A45F 5/02; A45F 3/14
See application file for complete search history.

(56) **References Cited**

U.S. PATENT DOCUMENTS

2,424,302 A * 7/1947 Brickey A45F 5/02
224/233
D218,005 S * 7/1970 Woolfolk D3/222

D219,632 S * 12/1970 Spear D3/243
D279,427 S * 7/1985 Emery D3/222
D630,428 S * 1/2011 Hong D3/222
D759,961 S * 6/2016 Ma D3/226

* cited by examiner

Primary Examiner — Catheri Oliver-Garcia

(74) *Attorney, Agent, or Firm* — Alston & Bird LLP

(57) **CLAIM**

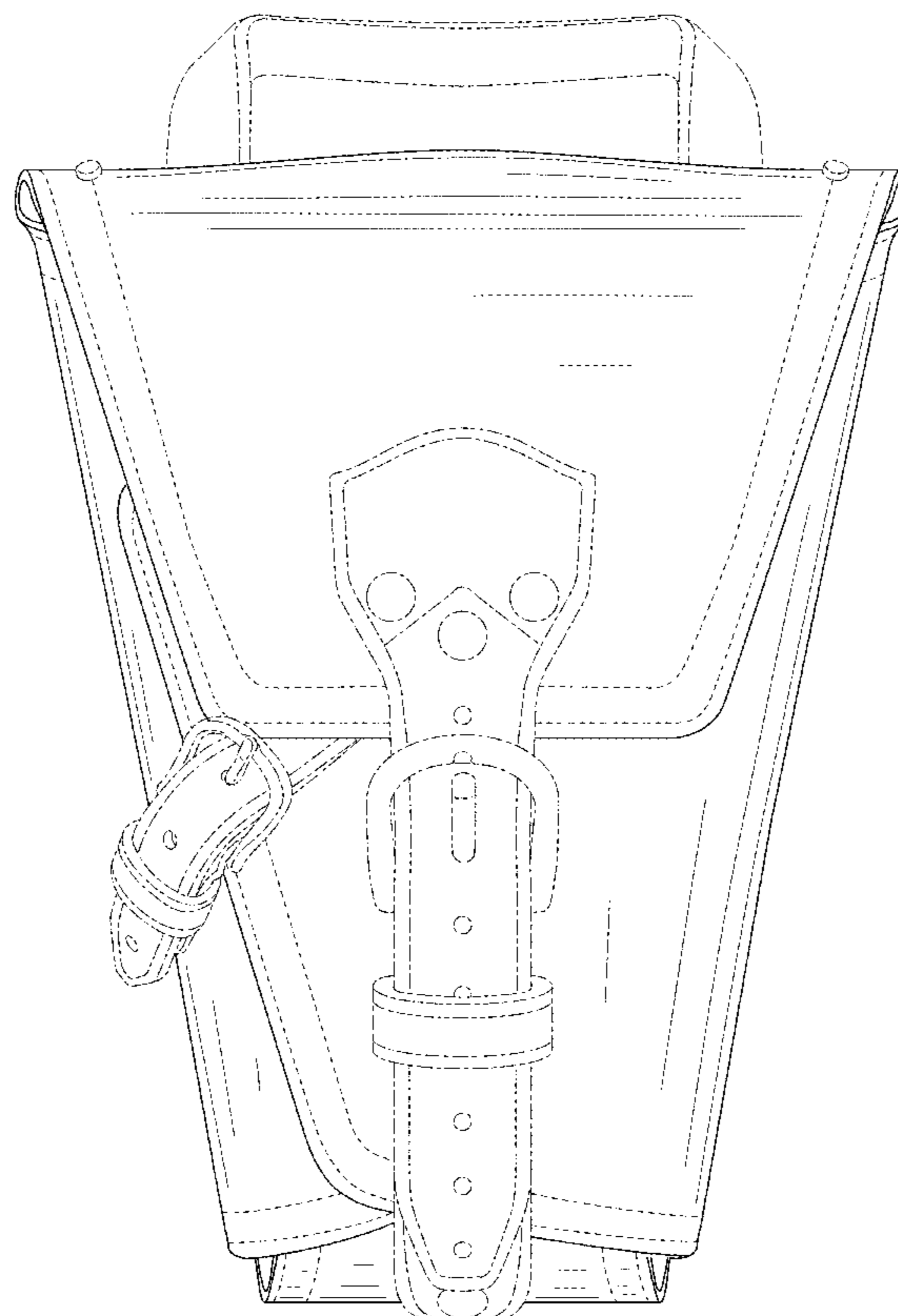
The ornamental design for a pistol wrap, as shown and described.

DESCRIPTION

FIG. 1 is a perspective view of a pistol wrap according to my new design;
FIG. 2 is a front elevation view thereof;
FIG. 3 is a rear elevation view thereof;
FIG. 4 is a right side elevation view thereof;
FIG. 5 is a left side elevation view thereof;
FIG. 6 is a top elevation view thereof; and,
FIG. 7 is a bottom plan view thereof.

The dash-dot-dash broken lines depict features that are not part of the claimed design, while the dash-dash broken lines depict stitching which forms no part of the claimed design.

1 Claim, 6 Drawing Sheets



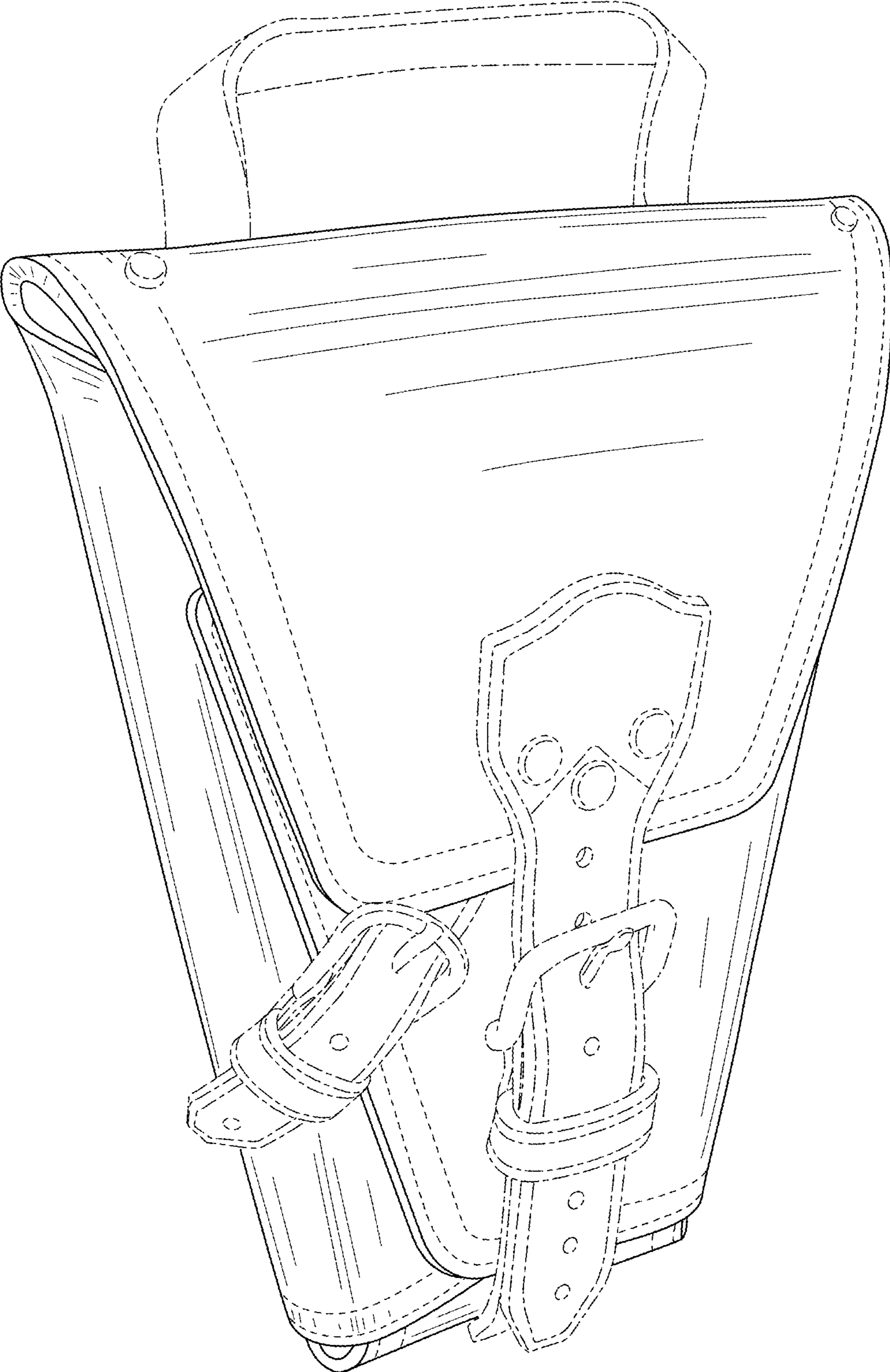


FIG. 1

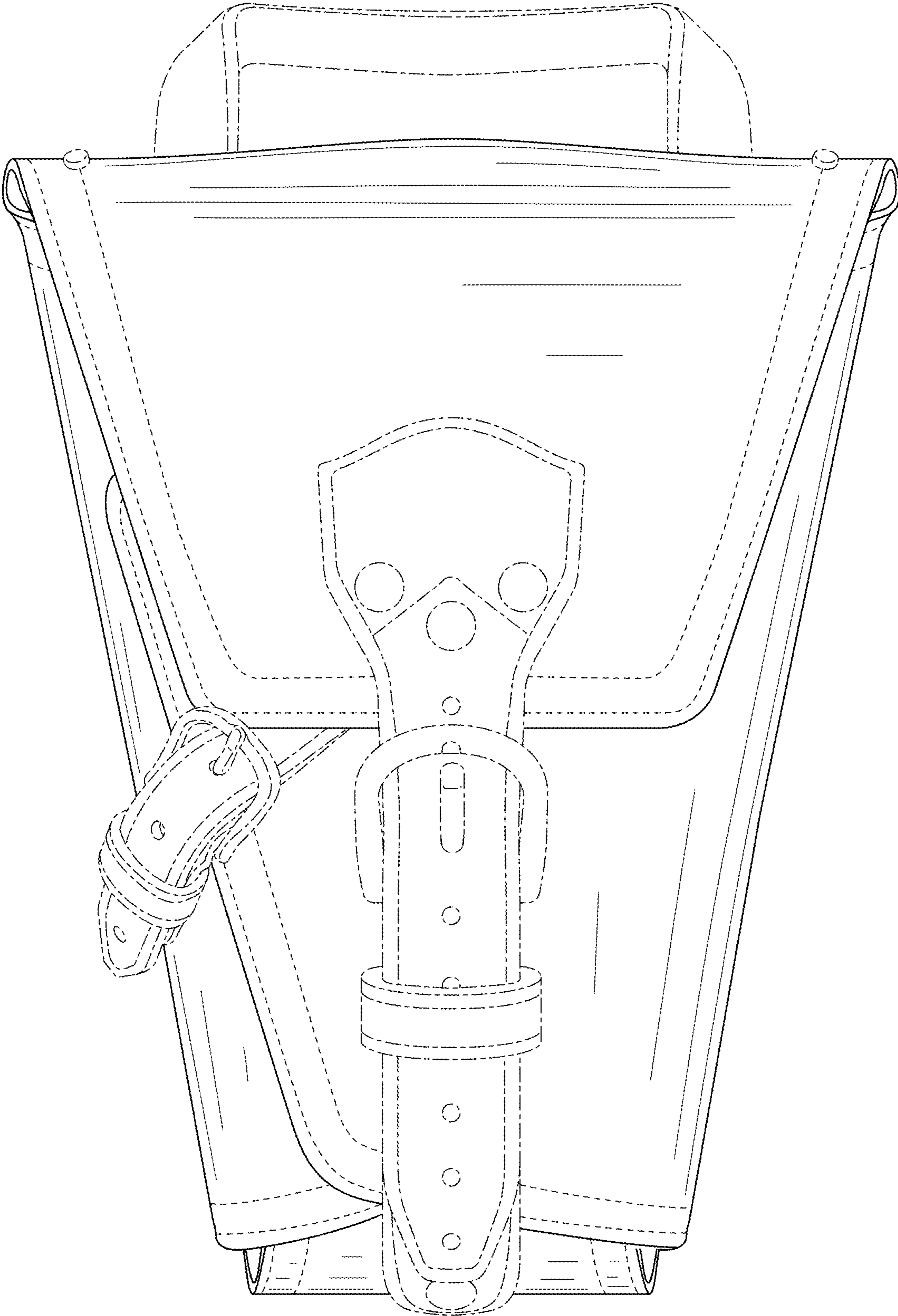


FIG. 2

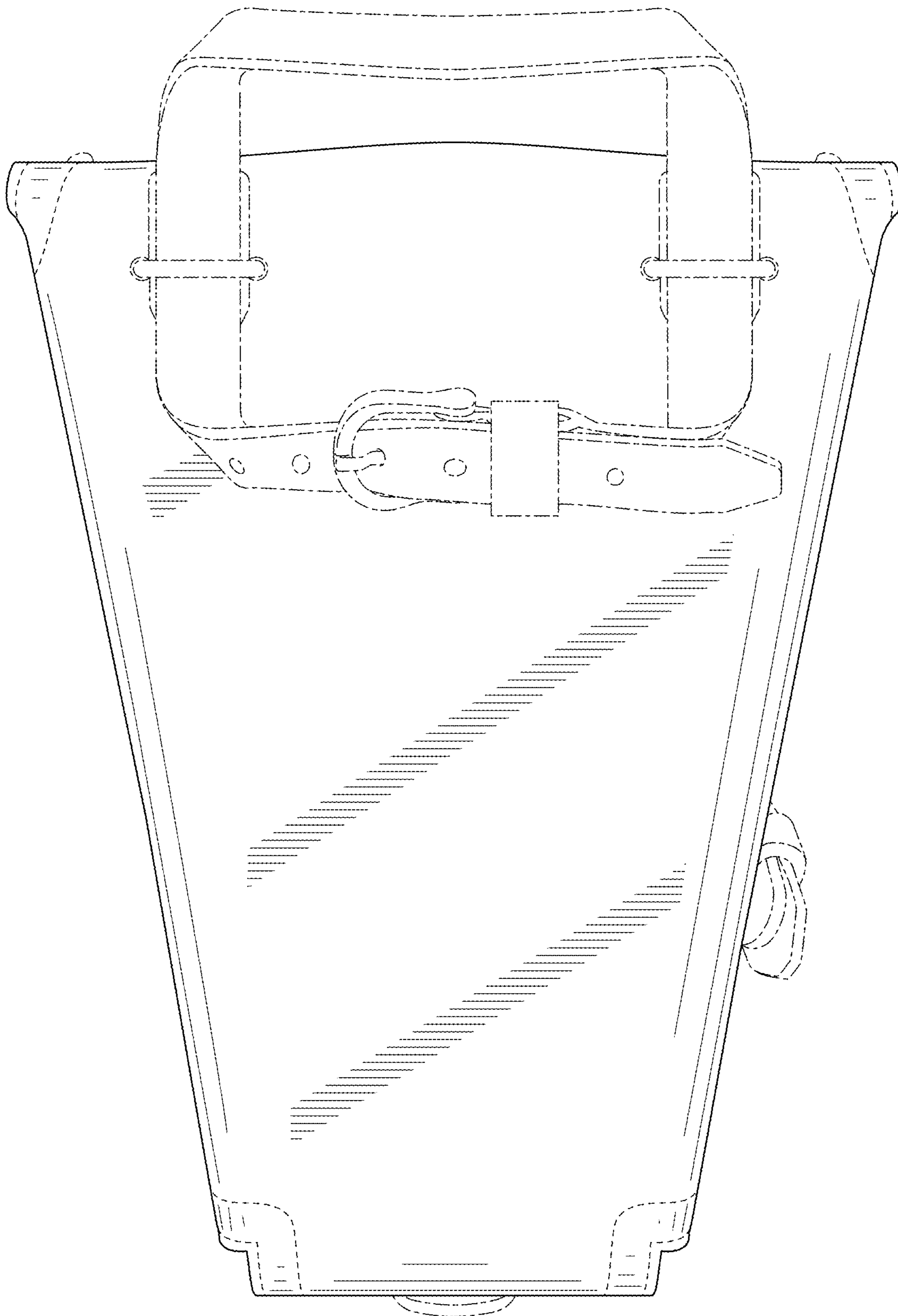


FIG. 3

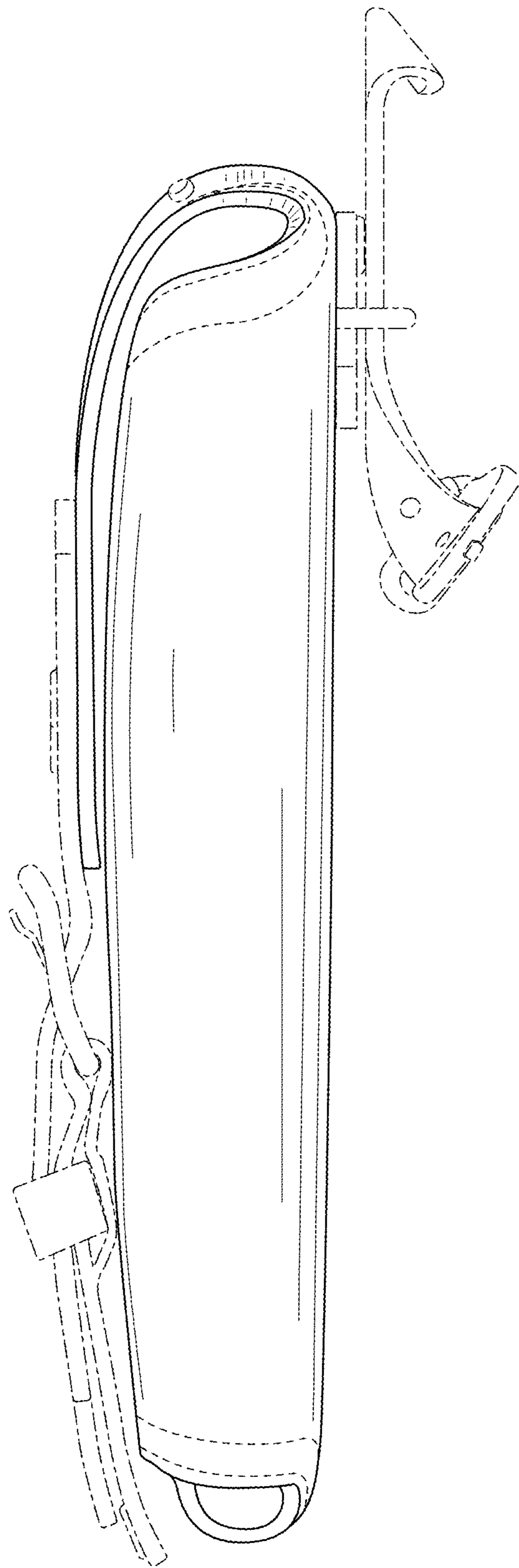


FIG. 4

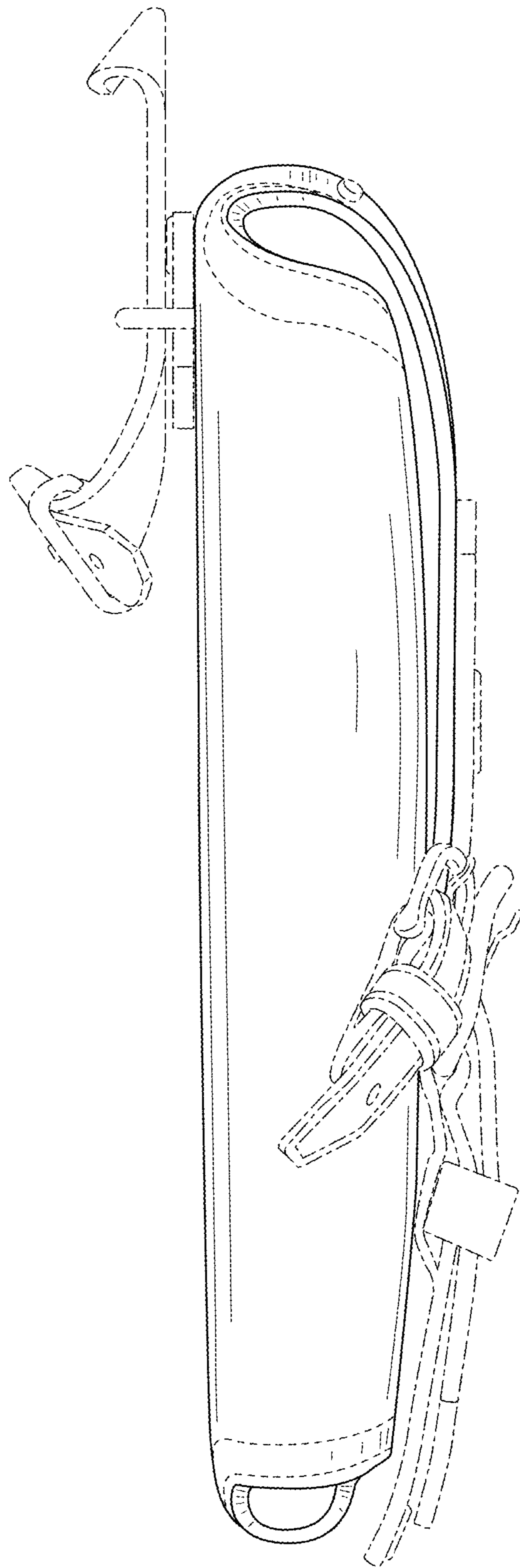


FIG. 5

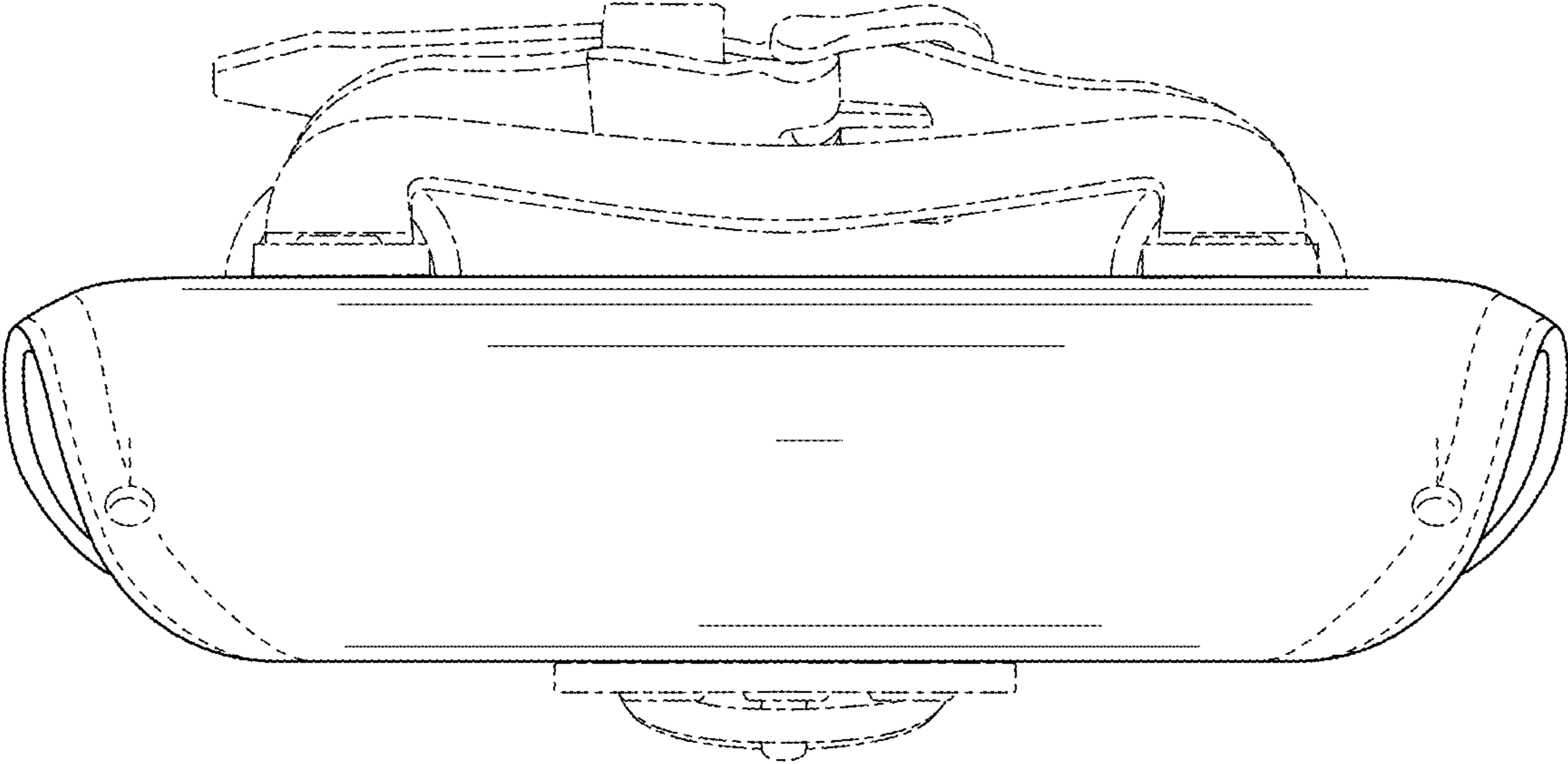


FIG. 6

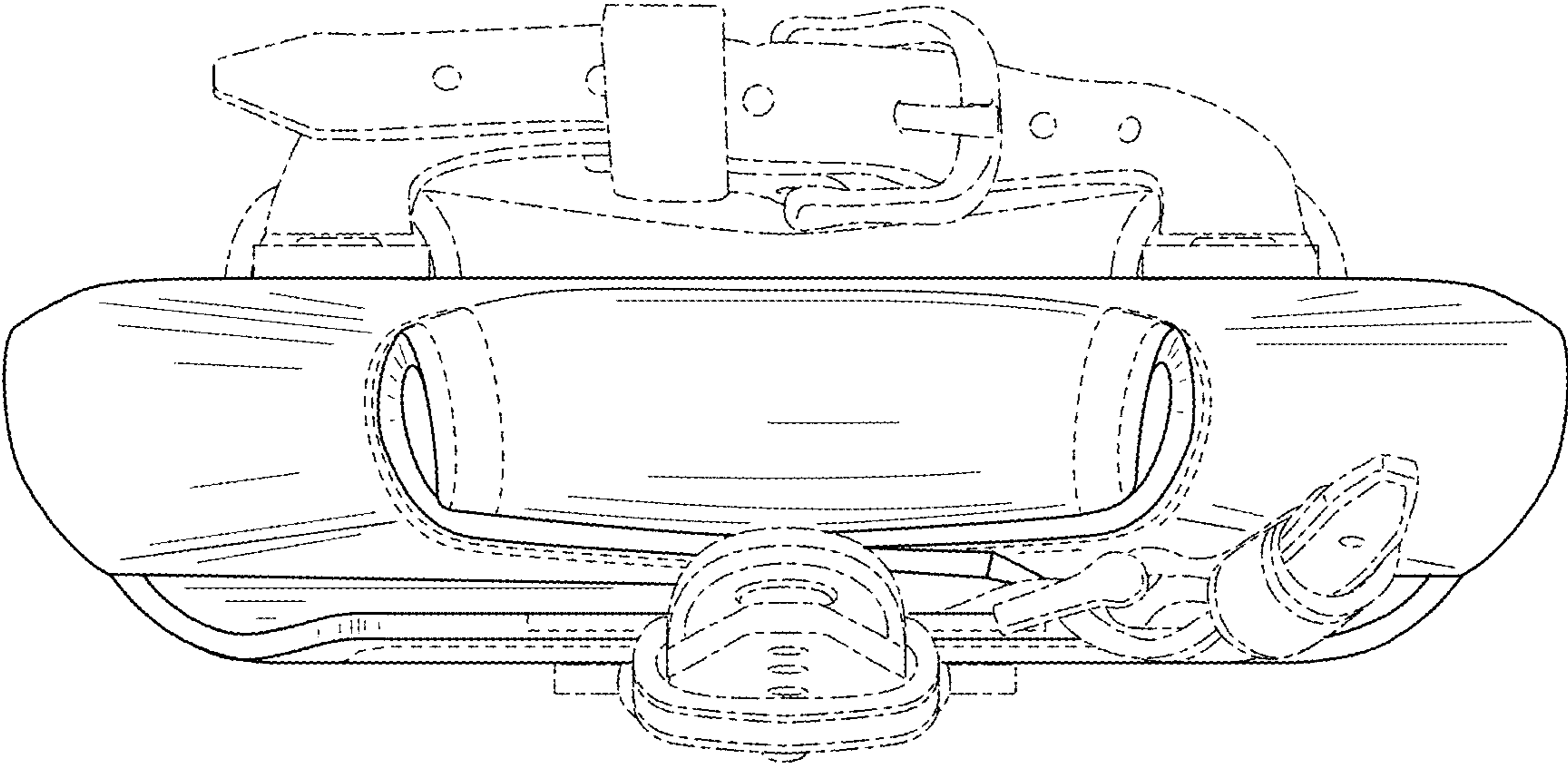


FIG. 7