



US00D777422S

(12) **United States Design Patent**
Karl, IV et al.

(10) **Patent No.:** **US D777,422 S**
(45) **Date of Patent:** **** Jan. 31, 2017**

- (54) **MOBILE PHONE CARRIER**
- (71) Applicant: **Shock Doctor, Inc.**, Minnetonka, MN (US)
- (72) Inventors: **Adam Peter Karl, IV**, Burlington, VT (US); **Benjamin Casey Lanza**, Sheldon, VT (US)
- (73) Assignee: **SHOCK DOCTOR, INC.**, Minnetonka, MN (US)
- (**) Term: **15 Years**
- (21) Appl. No.: **29/535,532**
- (22) Filed: **Aug. 7, 2015**
- (51) **LOC (10) Cl.** **03-01**
- (52) **U.S. Cl.**
USPC **D3/218**
- (58) **Field of Classification Search**
USPC .. D3/218, 215, 219; D14/251–253; 206/305, 206/320; 248/309.1, 316.4; 455/575.6; 379/426, 454, 455
CPC A45F 5/00; A45F 5/02; A45F 5/021; A45F 2005/025; B60R 11/0241; B60R 11/0258; B60R 11/0252; H04M 1/00; H04M 1/04; H04M 1/06; H04M 1/11
See application file for complete search history.

- 6,665,524 B1 * 12/2003 Niemann H04B 1/3888 248/309.1
- D528,539 S * 9/2006 McClaude D14/253
- D529,713 S * 10/2006 Guyot D3/218
- 8,646,736 B2 2/2014 Berry
- D762,971 S * 8/2016 Gronewoller D3/218
- D765,393 S * 9/2016 Kim D14/253
- 2010/0170926 A1 7/2010 Richter

* cited by examiner

Primary Examiner — Catheri Oliver-Garcia
(74) *Attorney, Agent, or Firm* — Faegre Baker Daniels LLP

(57) **CLAIM**

We claim the ornamental design for a mobile telephone carrier, as shown and described.

DESCRIPTION

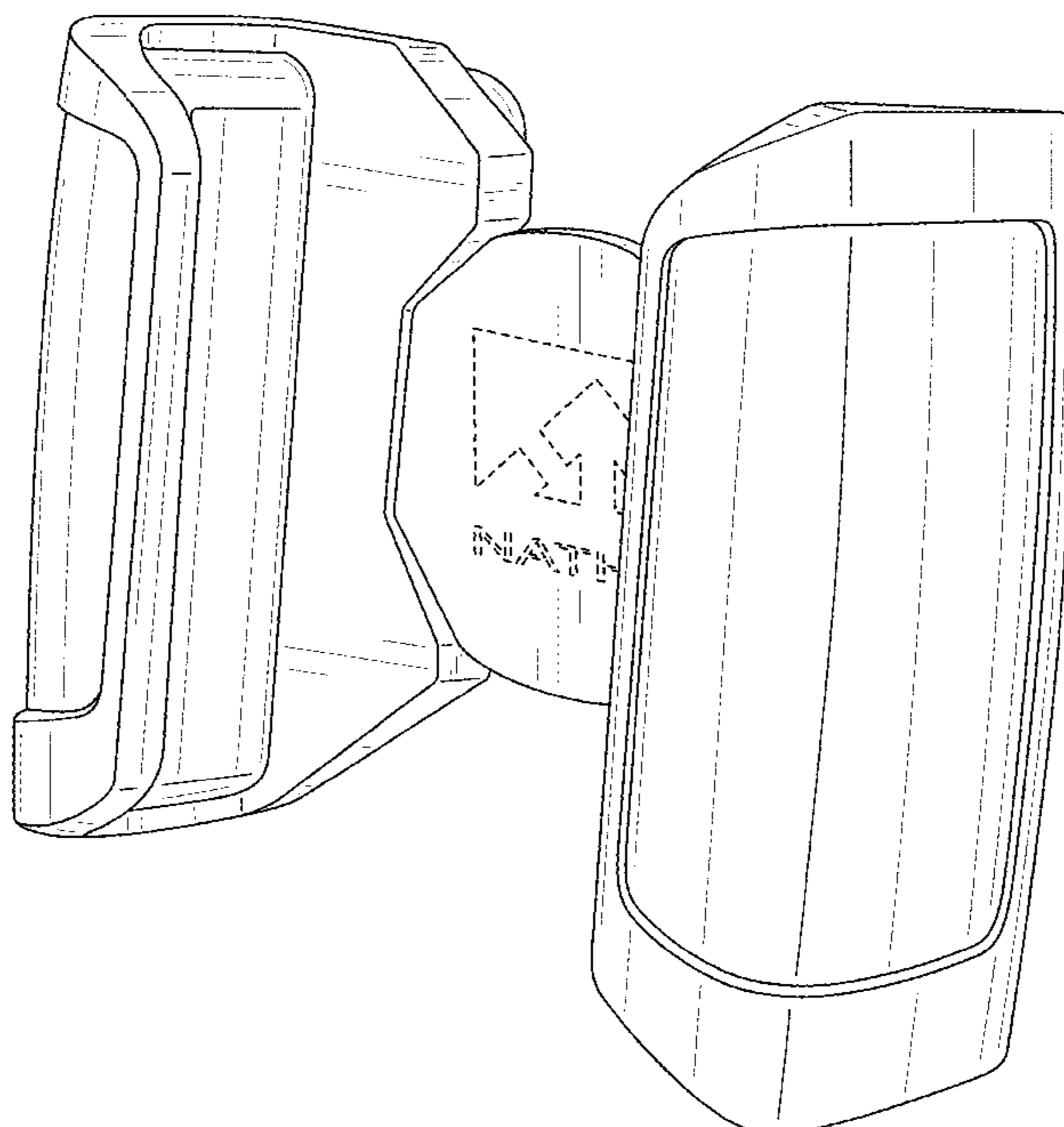
FIG. 1 is a front isometric view of our design of a mobile telephone carrier according to our invention;
 FIG. 2 is a rear isometric view of the mobile phone carrier shown in FIG. 1;
 FIG. 3 is a front view of the mobile telephone carrier shown in FIG. 1;
 FIG. 4 is a rear view of the mobile telephone carrier shown in FIG. 1;
 FIG. 5 is a right side view of the mobile telephone carrier shown in FIG. 1, the left side view being identical;
 FIG. 6 is a top view of the mobile telephone carrier shown in FIG. 1; and,
 FIG. 7 is a bottom view of the mobile telephone carrier shown in FIG. 1.
 The broken lines depict environment and are included for the purpose of illustrating only and form no part of the claimed design.

1 Claim, 7 Drawing Sheets

(56) **References Cited**

U.S. PATENT DOCUMENTS

- 5,836,563 A * 11/1998 Hsin-Yung B60R 11/0241 248/316.4
- D435,541 S * 12/2000 Kataoka D14/217



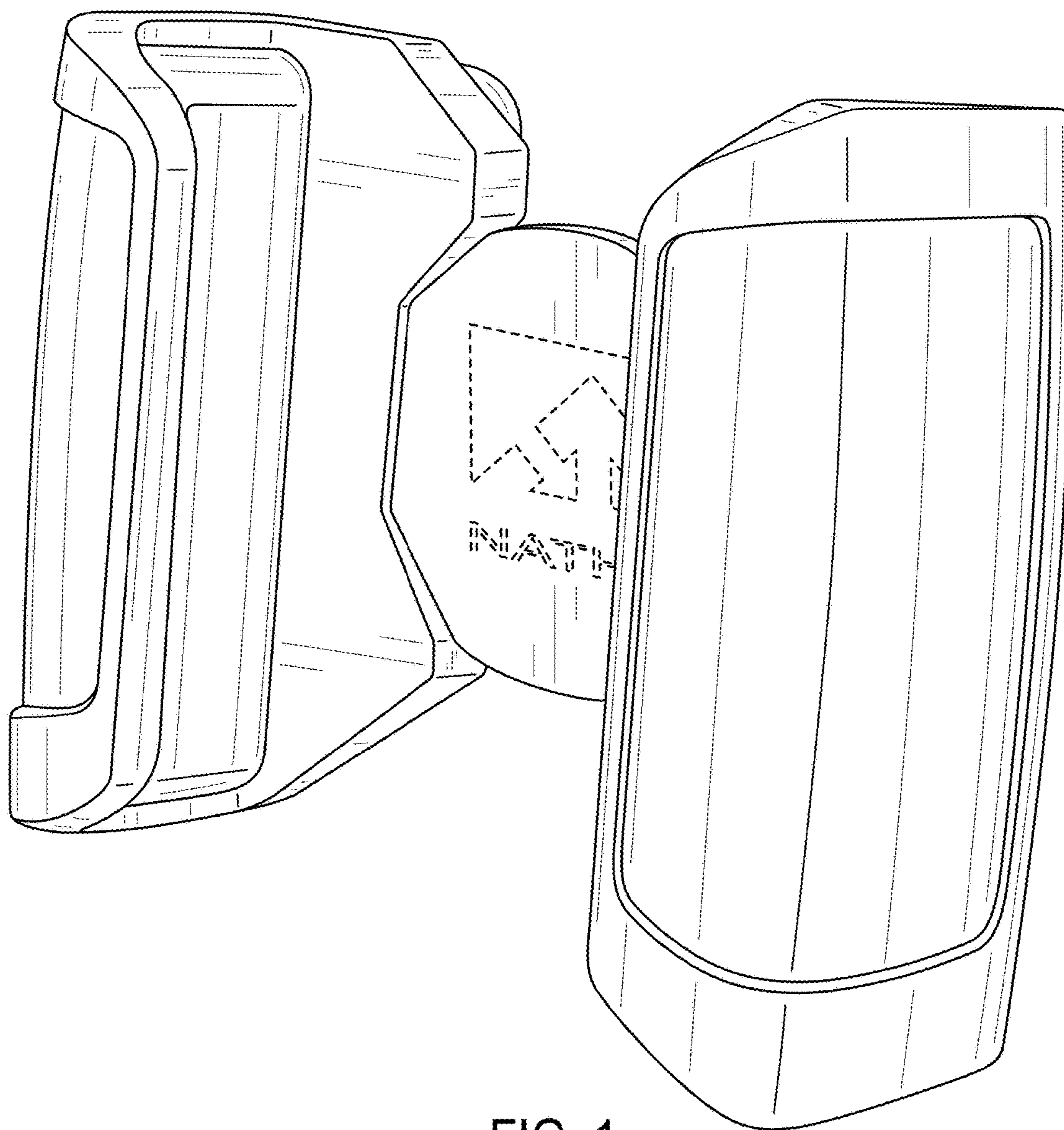


FIG. 1

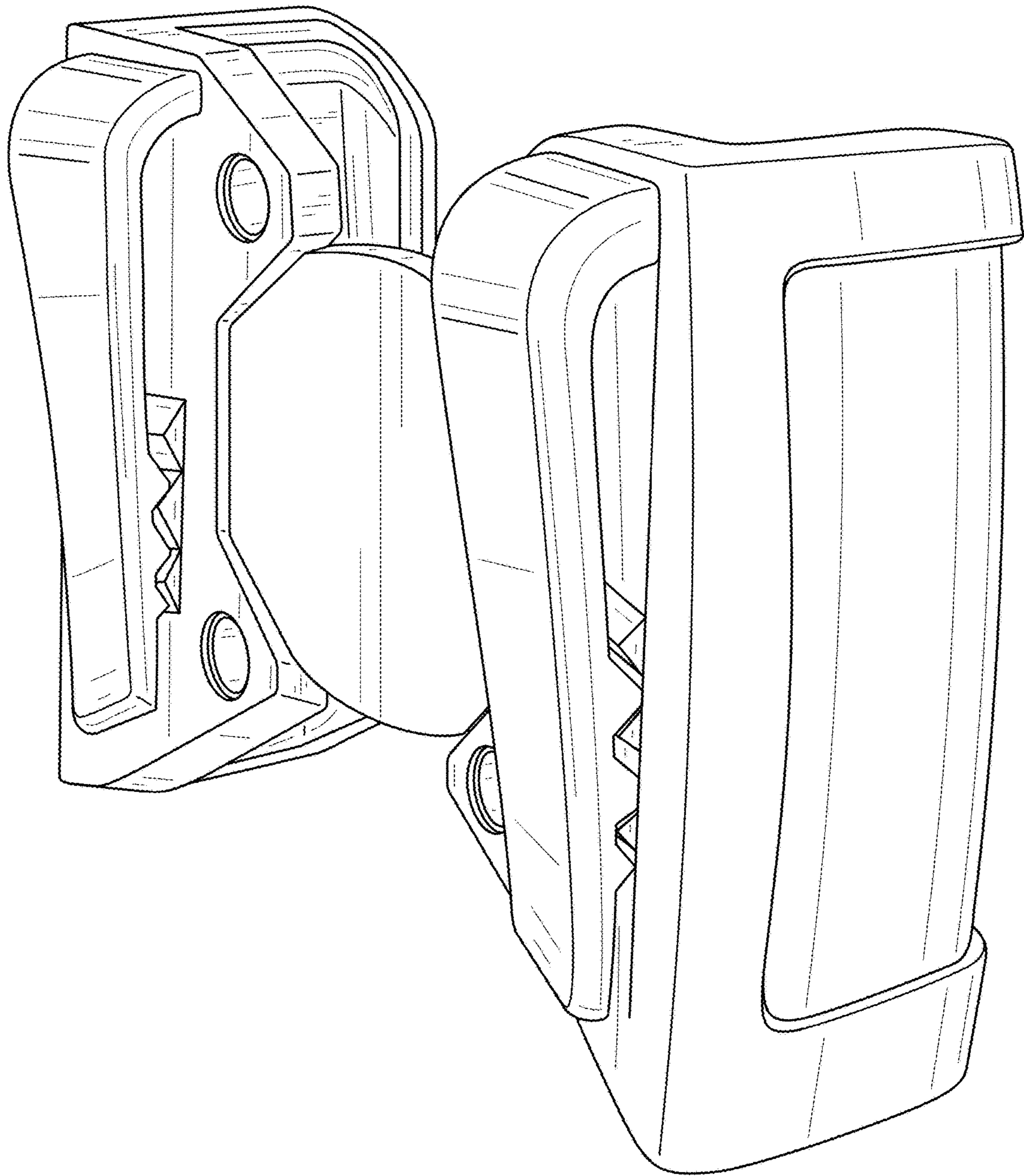


FIG. 2

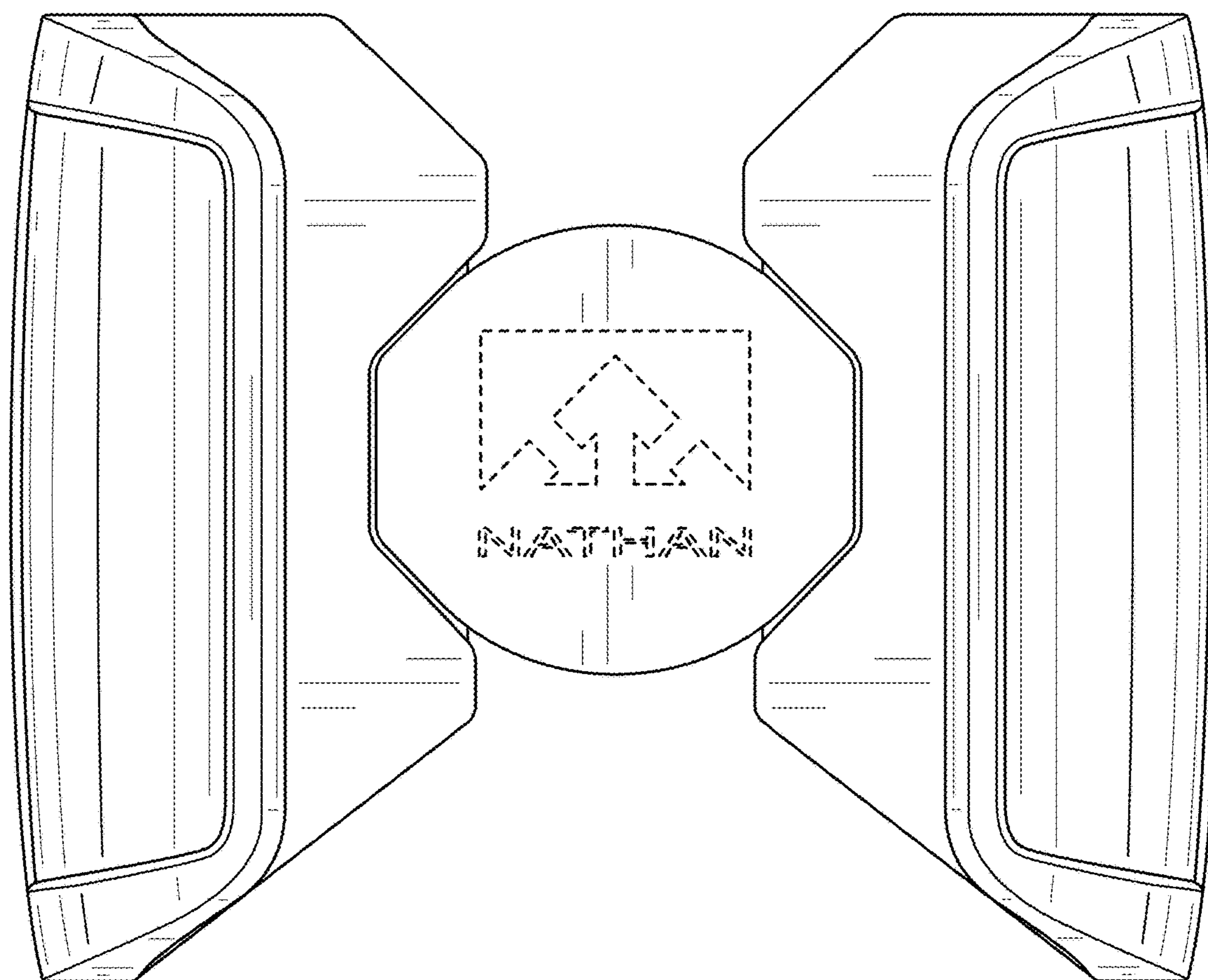


FIG. 3

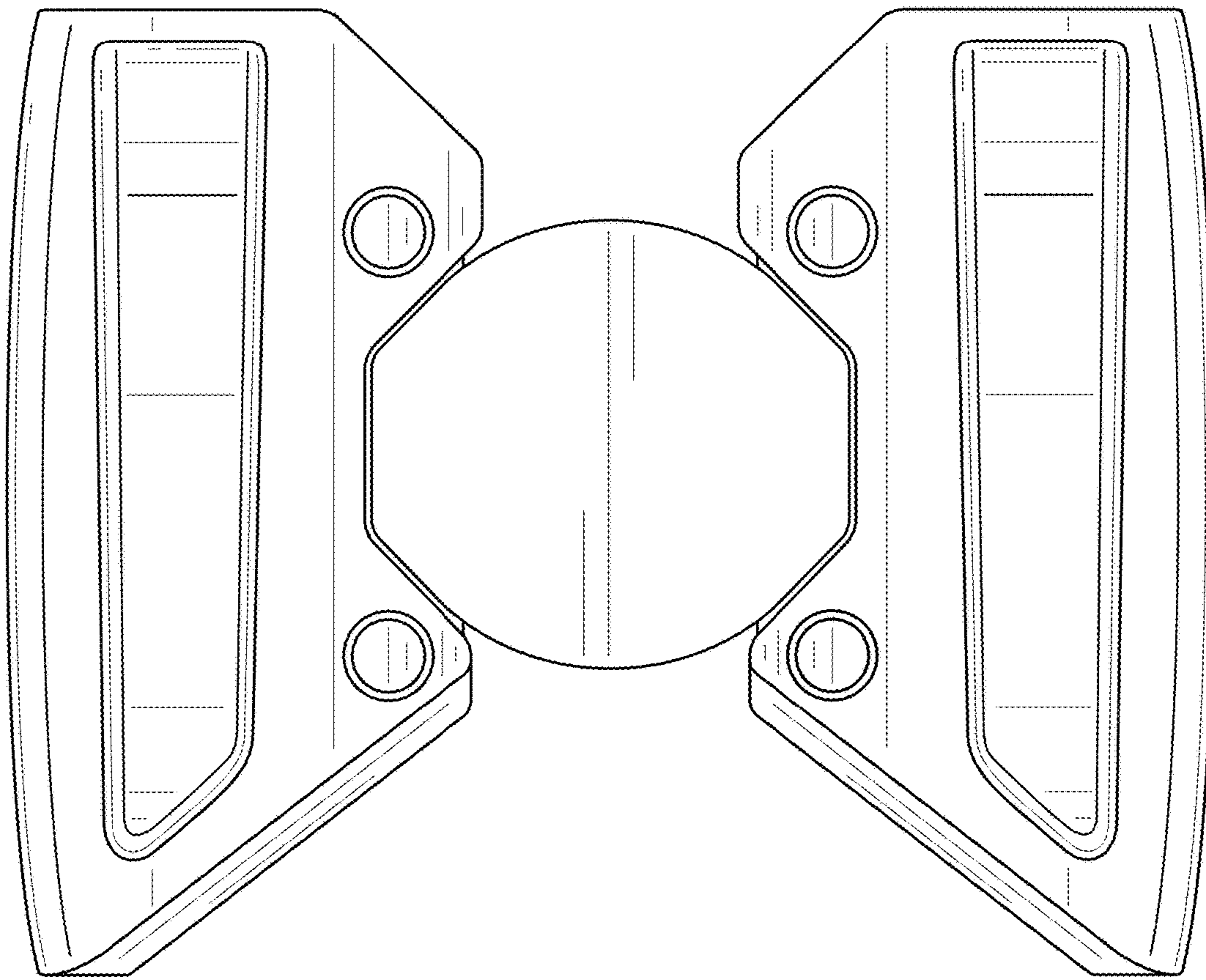


FIG. 4

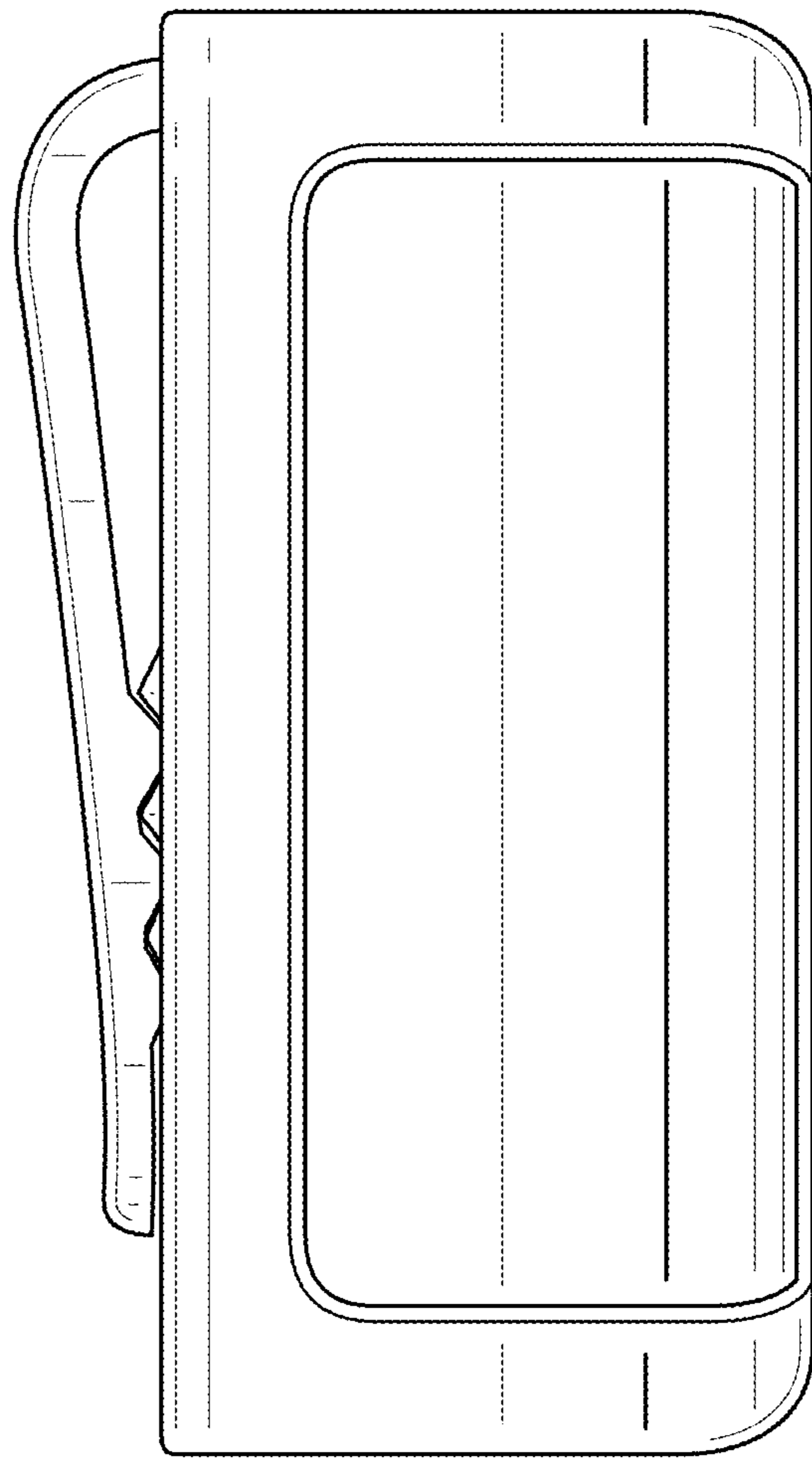


FIG. 5

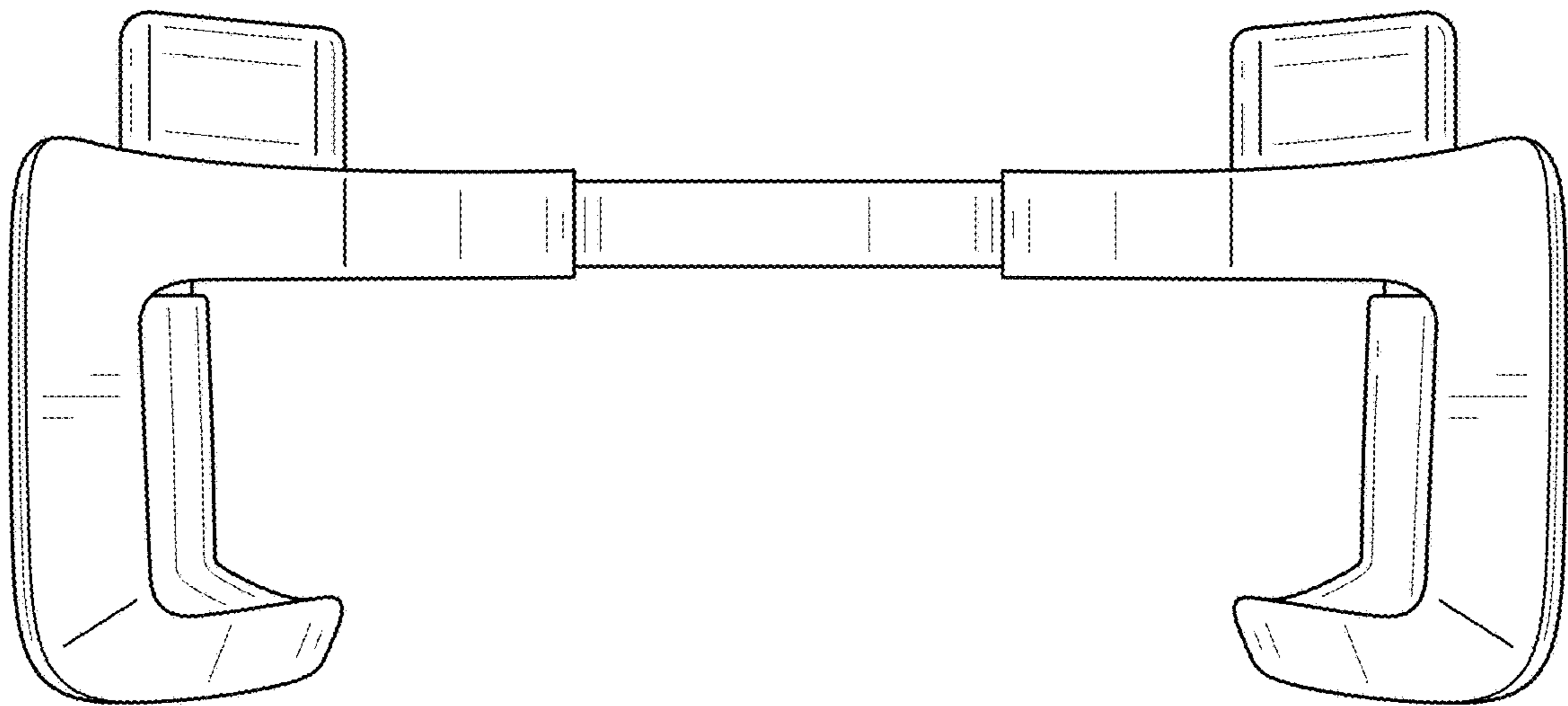


FIG. 6

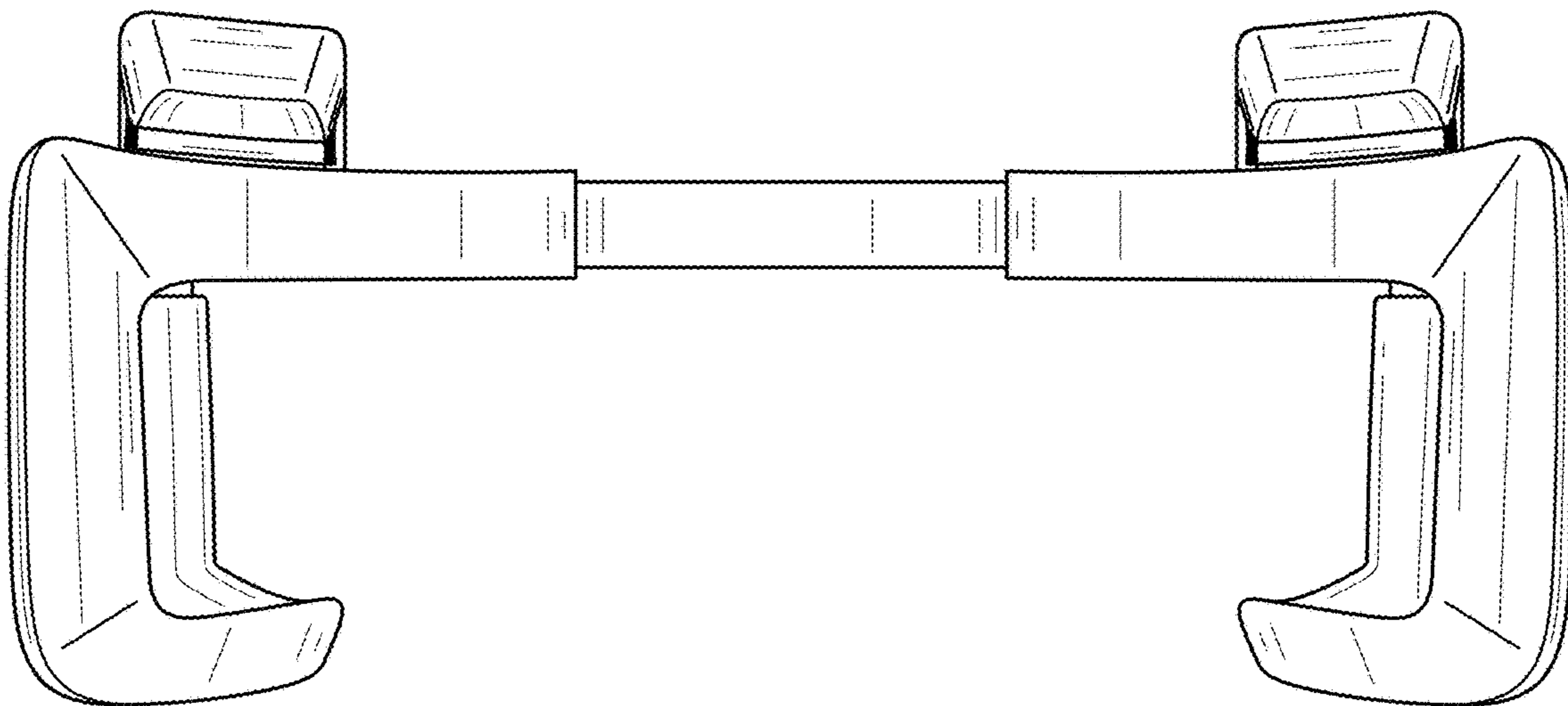


FIG. 7