



US00D777399S

(12) **United States Design Patent**  
**Adriani**

(10) **Patent No.:** **US D777,399 S**

(45) **Date of Patent:** **\*\* Jan. 24, 2017**

- (54) **FOLDABLE TAILGATE RAMP**
- (71) Applicant: **Victor Adriani**, Charlotte Hall, MD  
(US)
- (72) Inventor: **Victor Adriani**, Charlotte Hall, MD  
(US)
- (\*\*) Term: **14 Years**
- (21) Appl. No.: **29/523,241**
- (22) Filed: **Apr. 8, 2015**
- (51) **LOC (10) Cl.** ..... **12-05**
- (52) **U.S. Cl.**  
USPC ..... **D34/32**
- (58) **Field of Classification Search**  
USPC ..... D34/32, 33; D12/106, 400, 406; 296/61,  
296/50; 414/462, 537  
CPC ..... B60P 1/43; B60P 1/431; B60P 3/1025;  
B60P 3/40; B60R 9/06; B60R 9/10  
See application file for complete search history.

- 5,988,725 A \* 11/1999 Cole ..... B62D 33/0273  
296/61
- 6,076,215 A \* 6/2000 Blankenship ..... B60P 1/43  
14/69.5
- 6,447,040 B1 \* 9/2002 Young, Sr. .... B60P 1/435  
296/61

(Continued)

**OTHER PUBLICATIONS**

Truck Loading Ramp retrieved on Jul. 28, 2015 from <http://www.sportsturfmagic.com/ProductPages/TailGateRamp.html>.

(Continued)

*Primary Examiner* — Cynthia Ramirez  
(74) *Attorney, Agent, or Firm* — Cahn & Samuels, LLP

(57) **CLAIM**

The ornamental design for a foldable tailgate ramp, as shown and described.

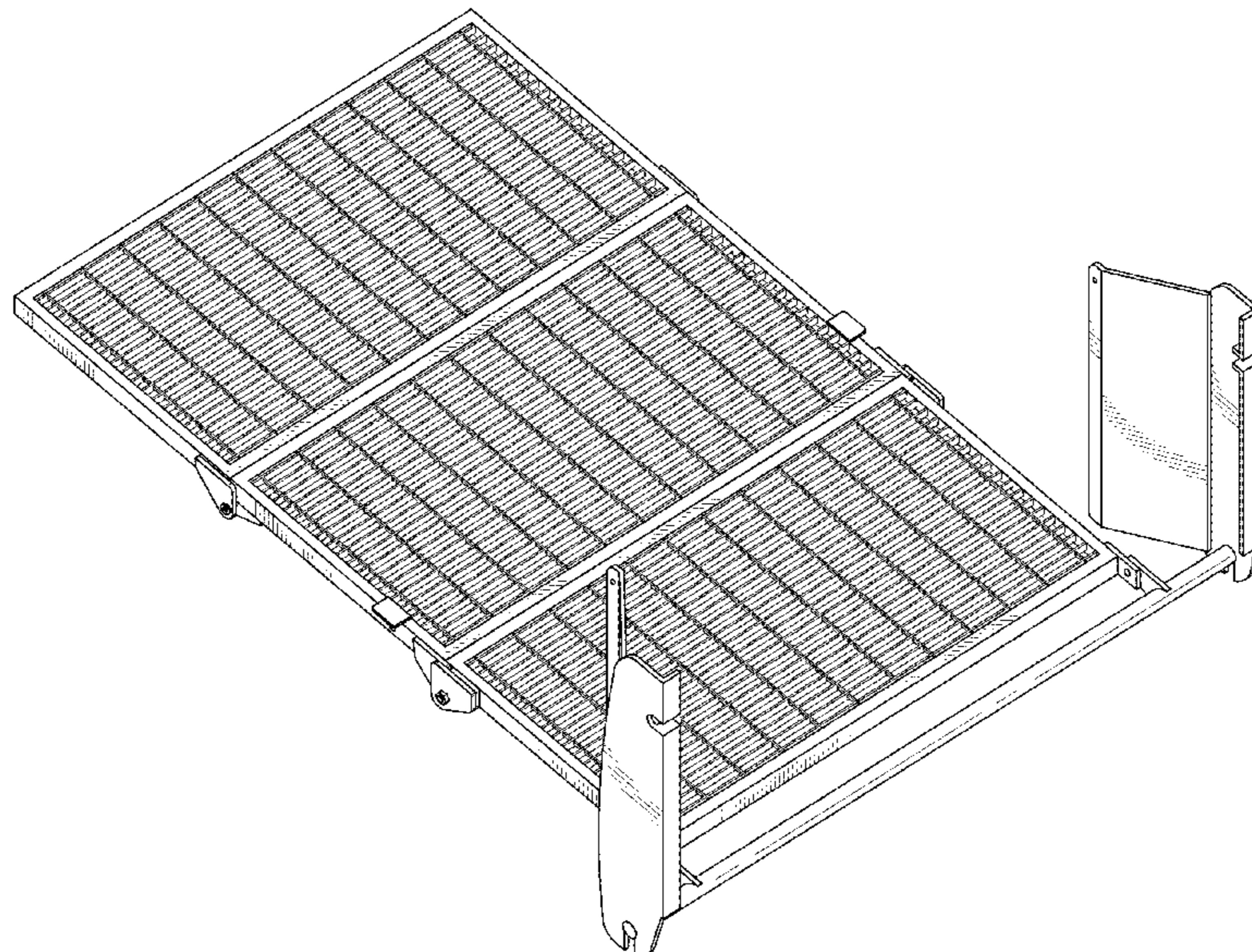
**DESCRIPTION**

FIG. 1 is a perspective view of a foldable tailgate ramp showing my new design;  
 FIG. 2 is a top plan view thereof;  
 FIG. 3 is a front elevational view thereof;  
 FIG. 4 is a rear elevation view thereof;  
 FIG. 5 is a right side elevational view thereof;  
 FIG. 6 left side elevational view thereof;  
 FIG. 7 is a bottom plan view thereof;  
 FIG. 8 is a perspective view of the foldable tailgate ramp in an unfolded position of use;  
 FIG. 9 is a perspective view of the foldable tailgate ramp in a partially folded position of use; and,  
 FIG. 10 is a perspective view of the foldable tailgate ramp in a completely folded position or use.  
 The broken lines showing a truck in FIGS. 8 through 10 are for the purpose of illustrating environmental structure and form no part of the claimed design.

**1 Claim, 8 Drawing Sheets**

(56) **References Cited**  
U.S. PATENT DOCUMENTS

- 4,795,304 A \* 1/1989 Dudley ..... B60P 1/435  
14/71.1
- 4,944,546 A 7/1990 Keller
- 4,979,867 A \* 12/1990 Best ..... B65G 69/2835  
414/537
- 5,133,584 A \* 7/1992 McCleary ..... B60P 1/435  
296/57.1
- D338,760 S \* 8/1993 Harrah ..... D34/28
- 5,244,335 A 9/1993 Johns
- 5,342,105 A \* 8/1994 Miles ..... B62D 33/0273  
296/57.1
- 5,540,474 A \* 7/1996 Holland ..... B60P 1/435  
296/61
- 5,768,733 A \* 6/1998 Kneebone ..... B65G 69/30  
14/69.5
- 5,907,276 A 5/1999 Lance



(56)

**References Cited**

U.S. PATENT DOCUMENTS

6,722,721 B2 4/2004 Sherrer  
6,746,068 B1 6/2004 Hurd  
D505,238 S \* 5/2005 Robertson ..... D34/32  
7,070,220 B1 7/2006 Lantaigne  
7,458,624 B1 12/2008 Bower et al.  
7,549,692 B2 6/2009 Washington  
D633,684 S \* 3/2011 Key ..... D34/32  
D640,854 S \* 6/2011 Leum ..... D34/32  
8,109,552 B2 2/2012 Nelson  
8,302,235 B1 11/2012 Bailie et al.  
D674,162 S \* 1/2013 Gooch ..... D34/32  
8,511,734 B2 8/2013 Hutchins, Jr. et al.  
8,764,088 B1 7/2014 Jobe  
8,894,345 B1 11/2014 Richins et al.  
2003/0015885 A1 1/2003 Landwehr  
2006/0133915 A1 6/2006 Day  
2008/0159838 A1 7/2008 Sherer

OTHER PUBLICATIONS

ATV Ramp and Tailgate retrieved on Jul. 28, 2015 from <http://tailgateramps.com/pictures.htm>.

Tailgate Ramp retrieved on Jul. 28, 2015 from <http://www.bmwccc.org.za/tailgate-ramp>.

Tailgate Ramp retrieved on Sep. 18, 2015 from [http://www.pickupspecialties.com/Loading\\_Ramps/tailgate\\_ramps.htm](http://www.pickupspecialties.com/Loading_Ramps/tailgate_ramps.htm).

\* cited by examiner



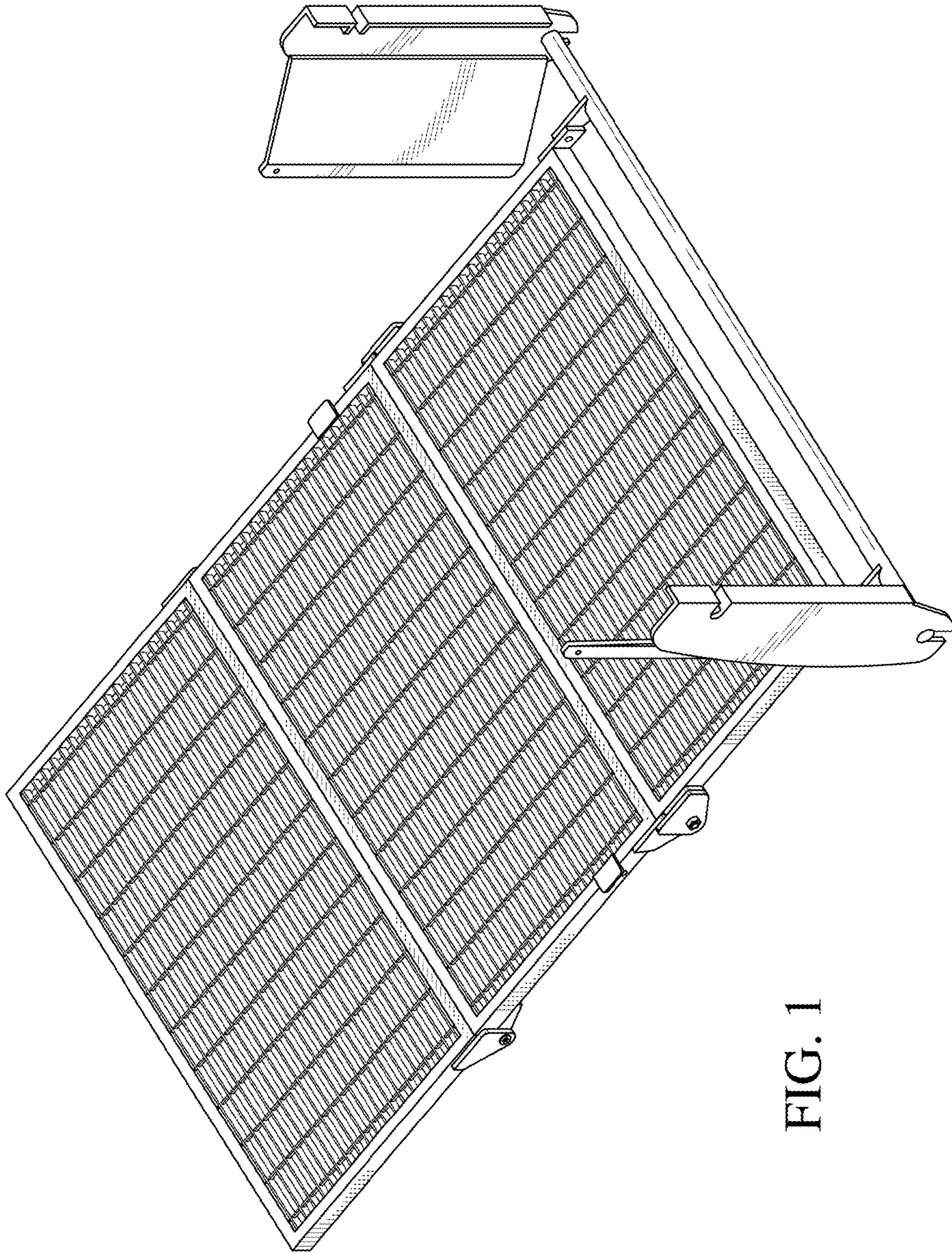


FIG. 1



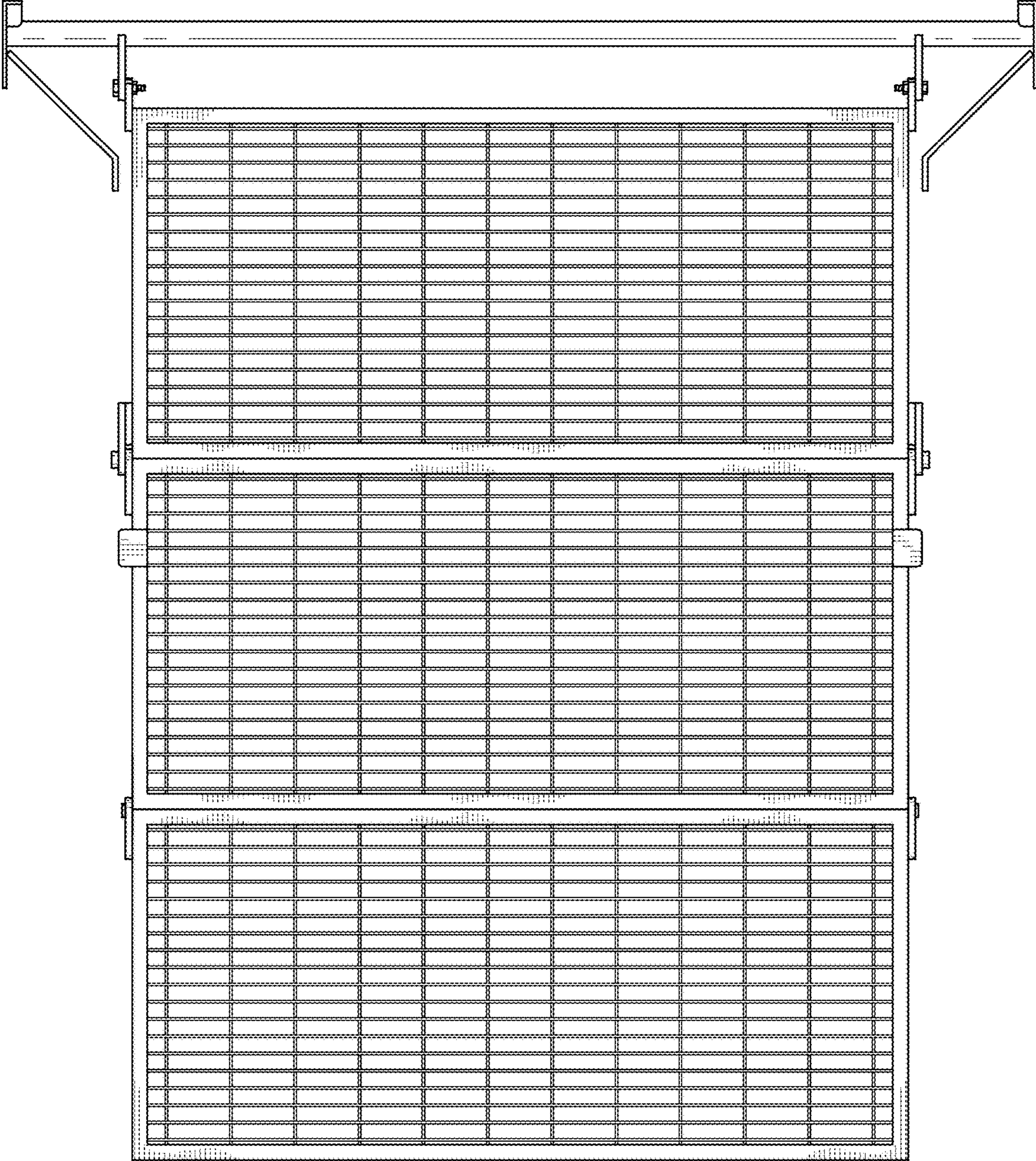


FIG. 2

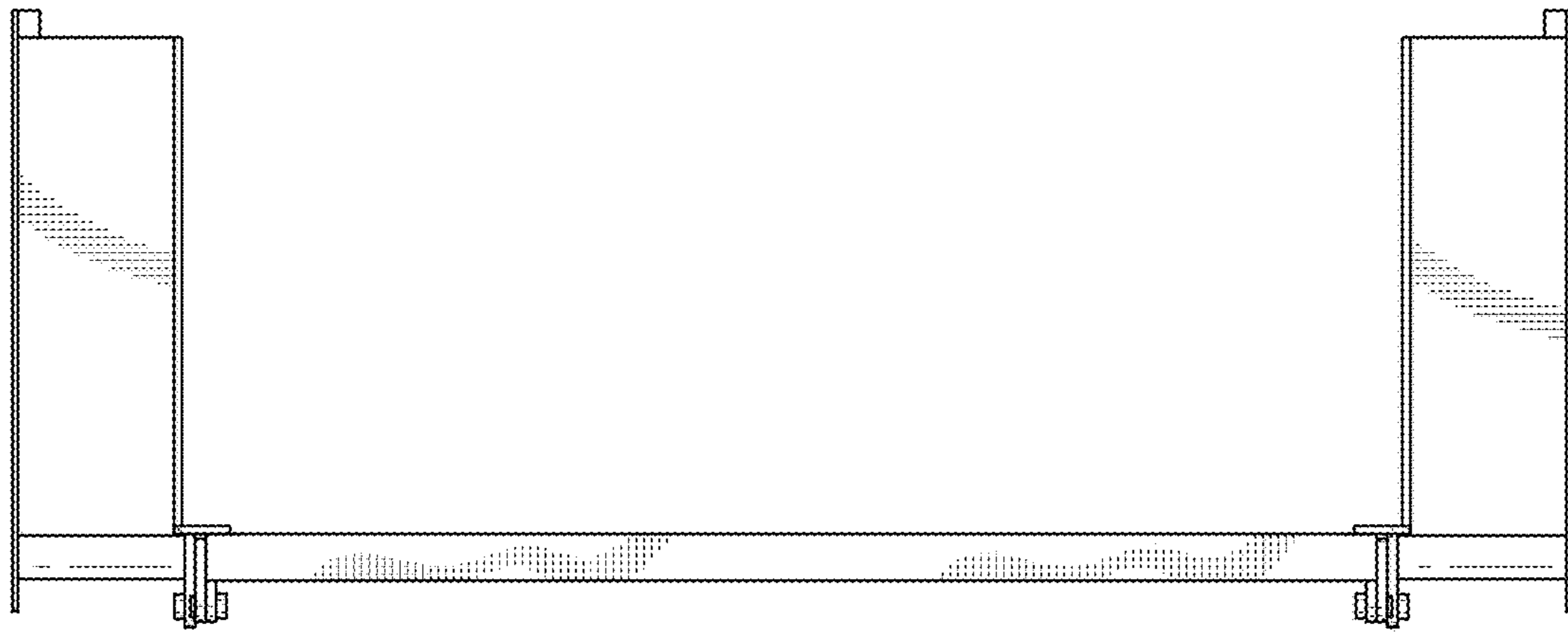


FIG. 3

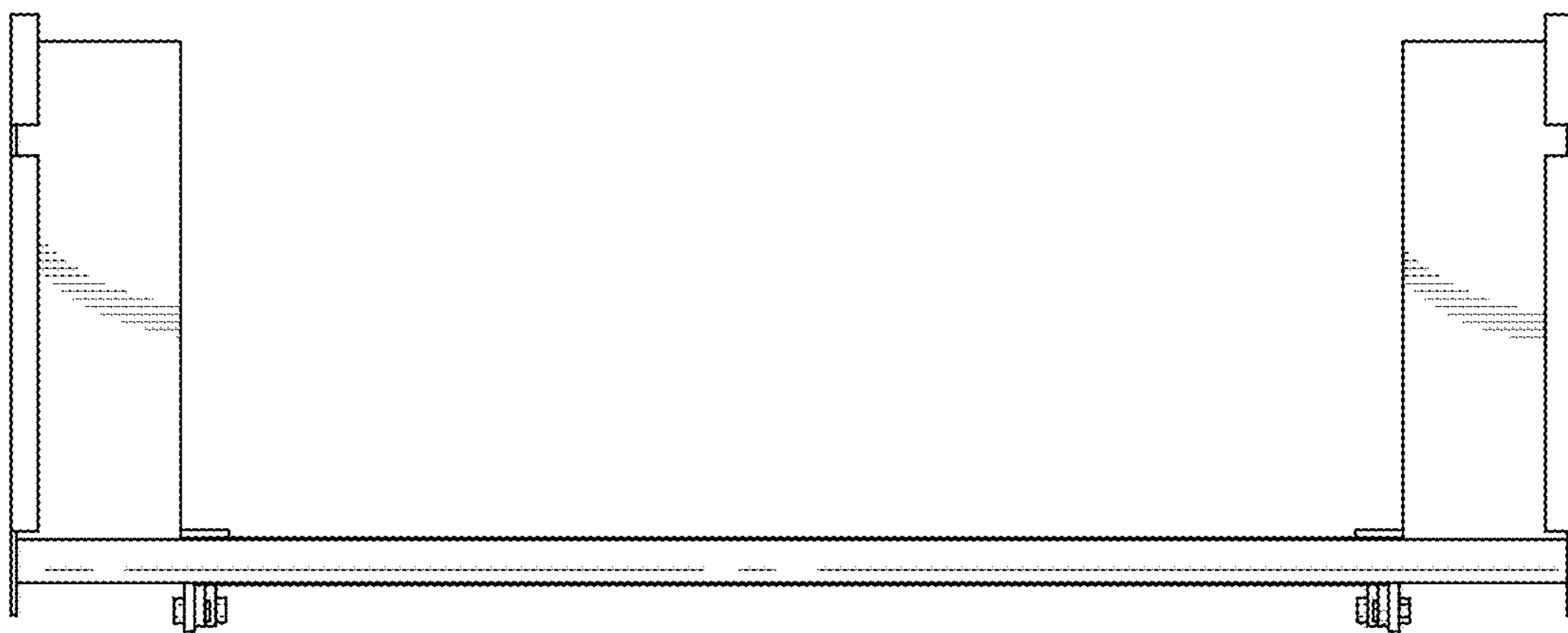


FIG. 4

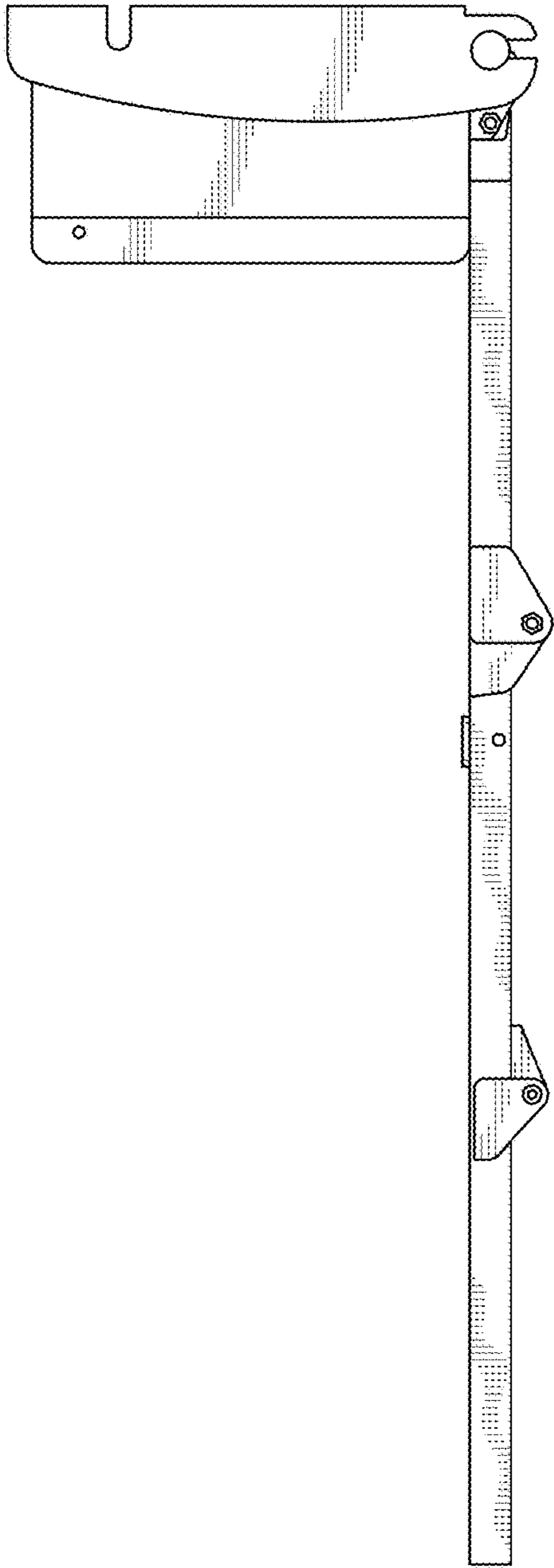


FIG. 5

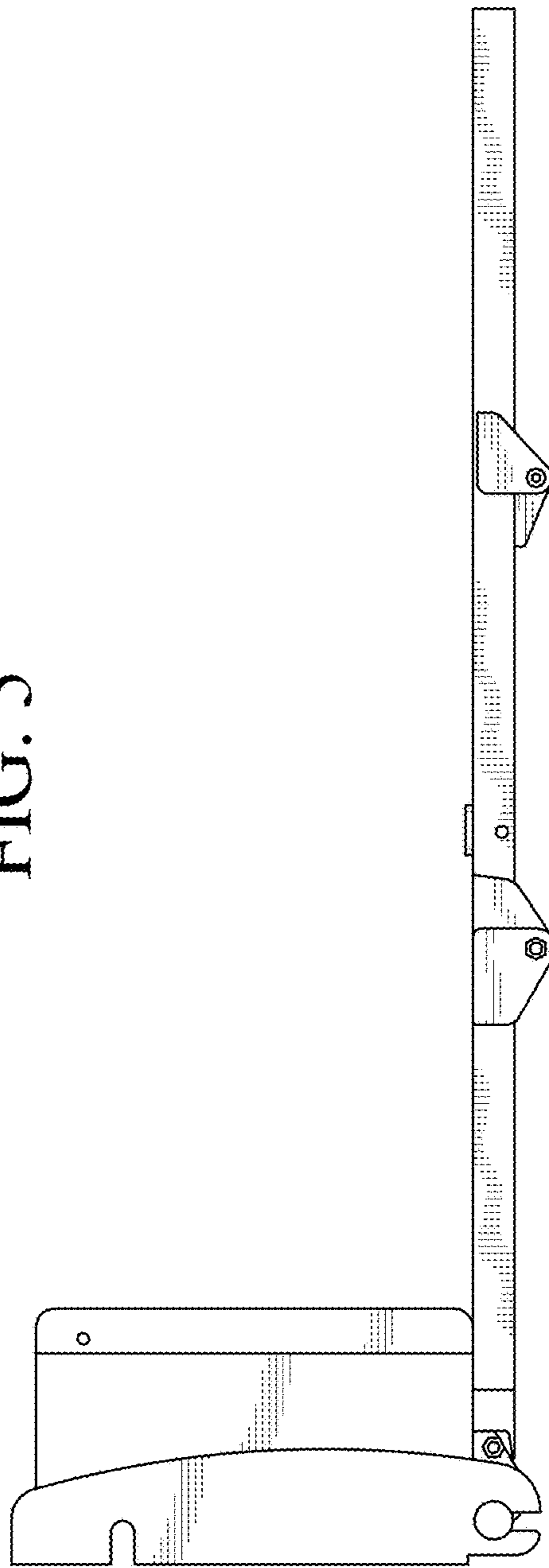


FIG. 6



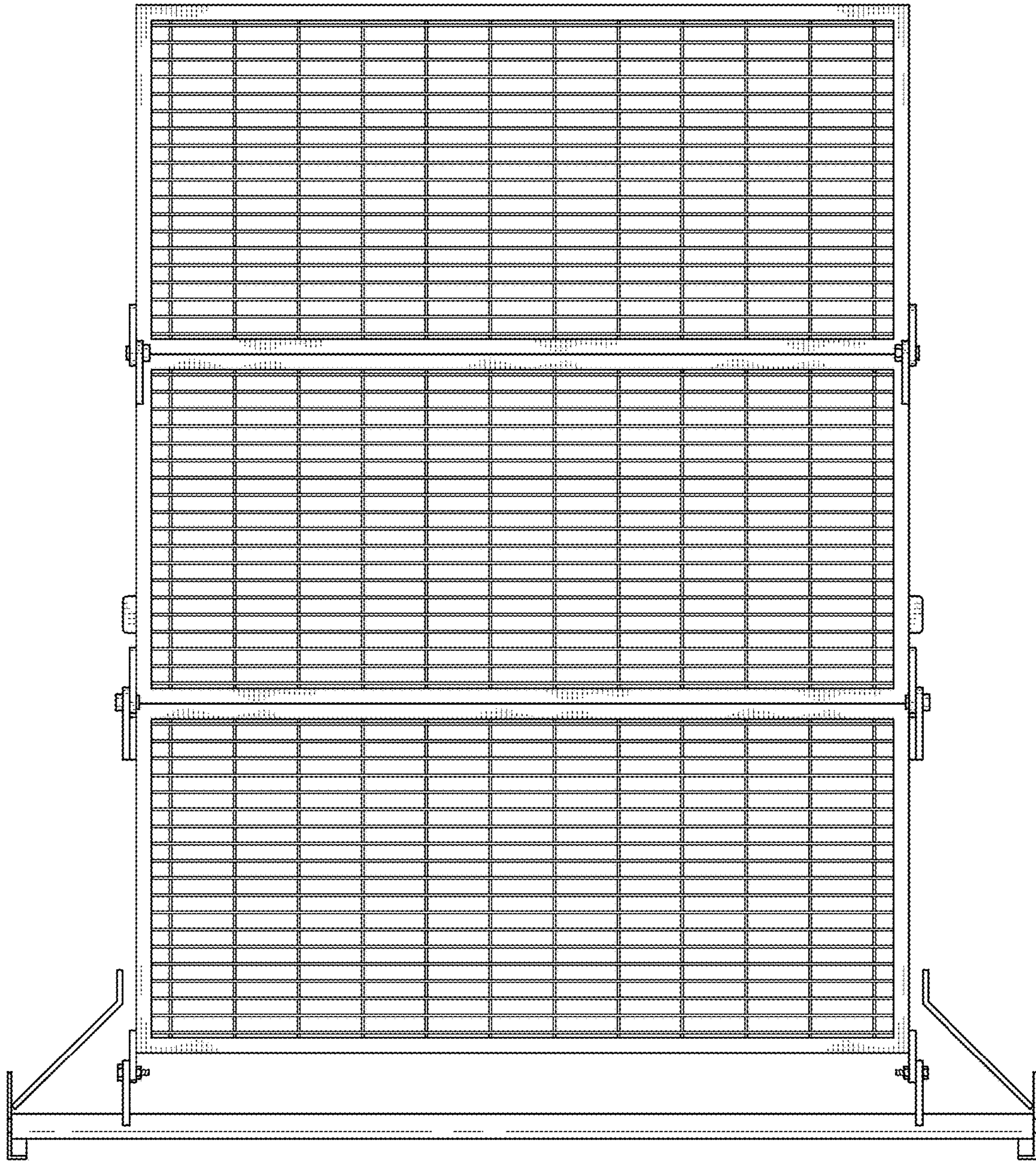


FIG. 7

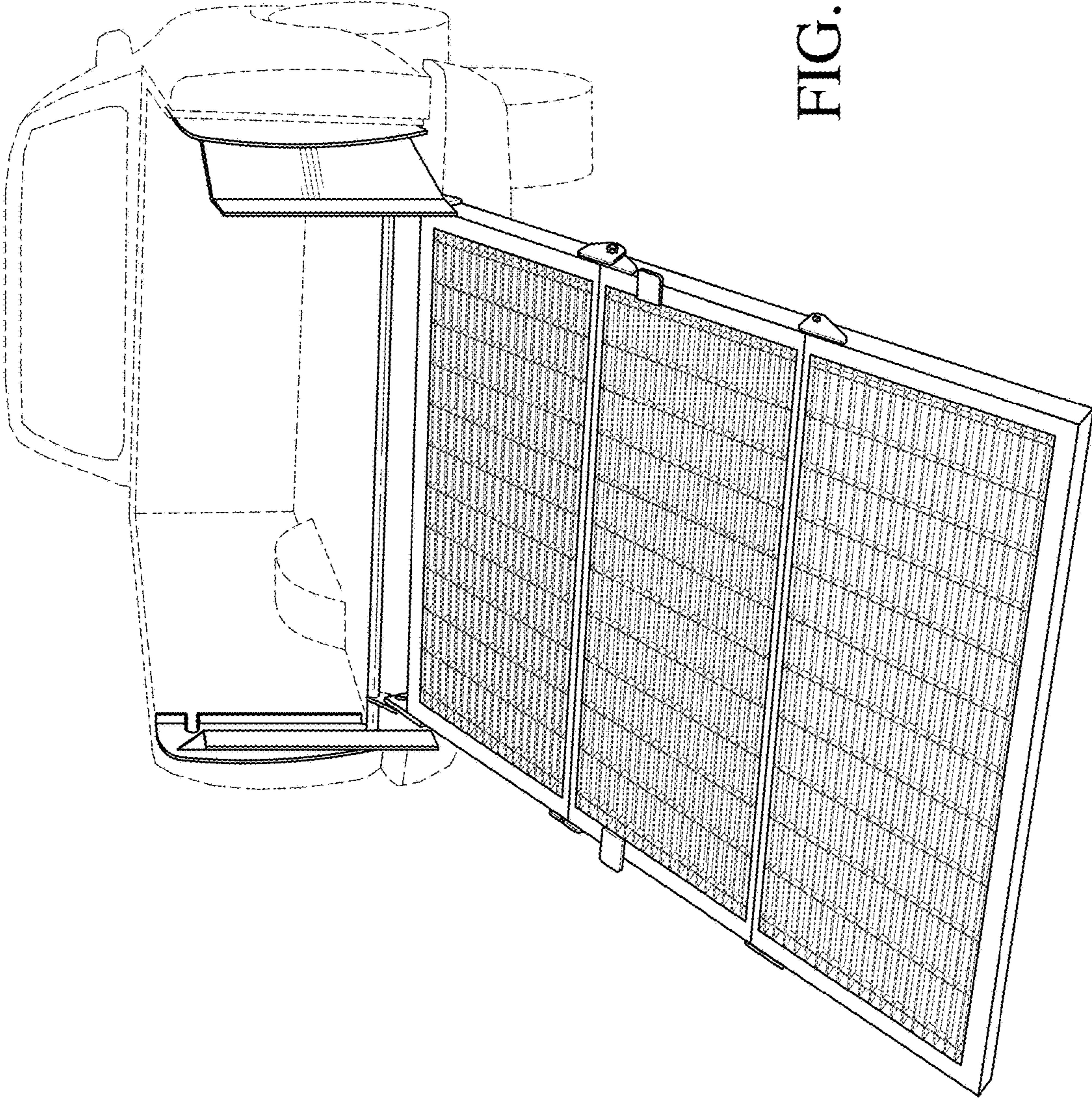


FIG. 8



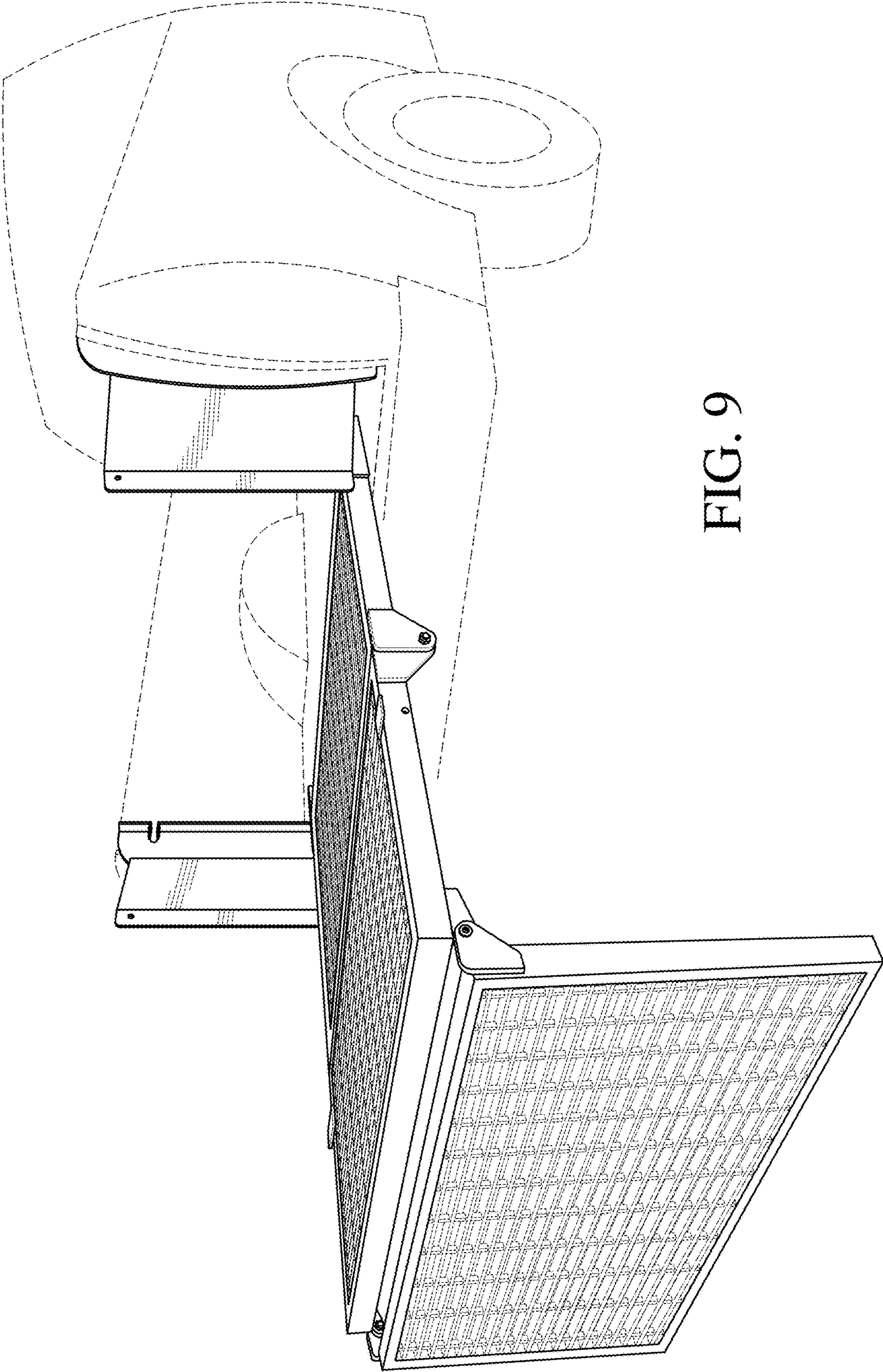


FIG. 9

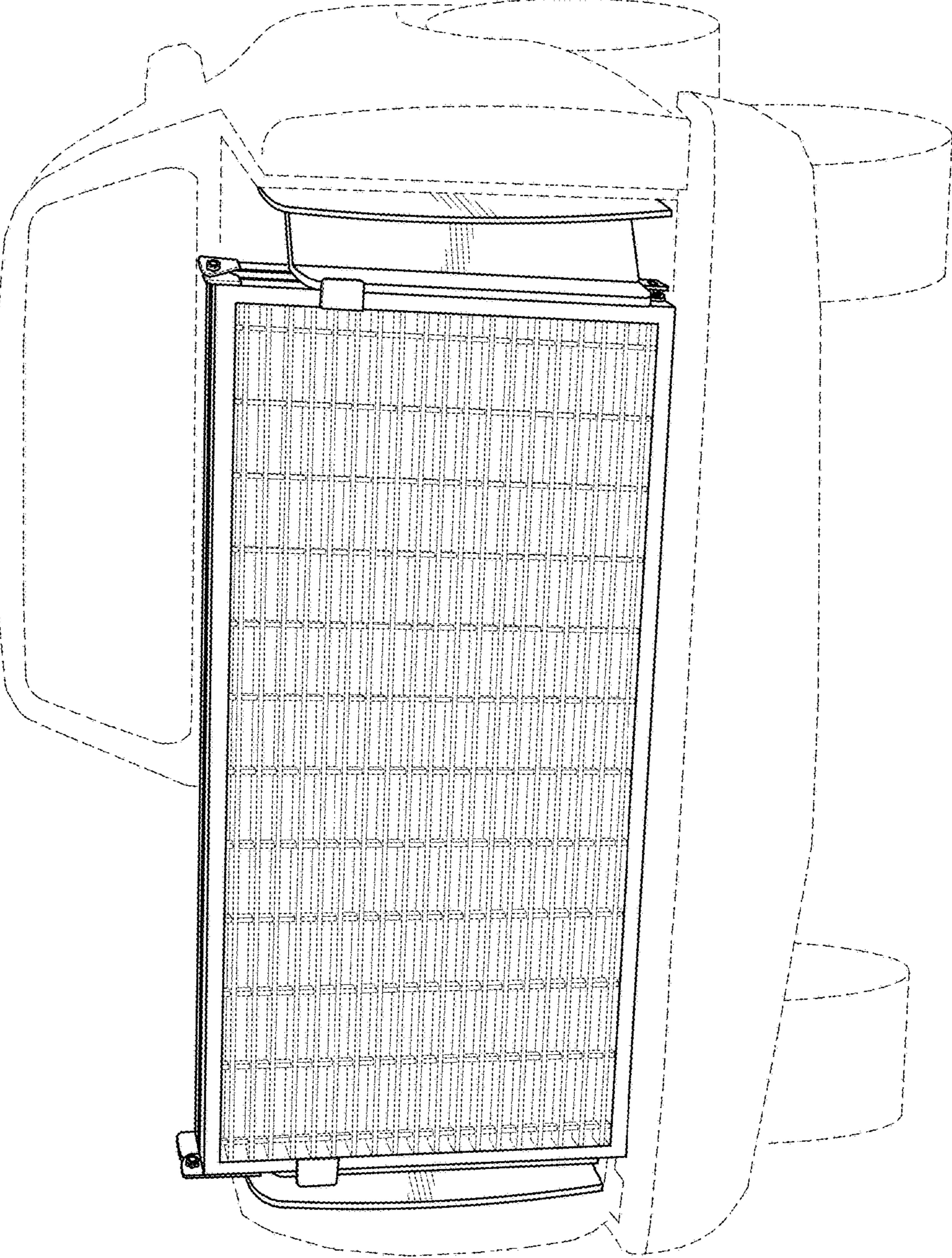


FIG. 10