



US00D777397S

(12) **United States Design Patent**
Gediehn

(10) **Patent No.:** **US D777,397 S**

(45) **Date of Patent:** **** Jan. 24, 2017**

(54) **APPARATUS FOR HANDLING AND SORTING PACKAGES**

(71) Applicant: **SIEMENS AKTIENGESELLSCHAFT**, Munich (DE)

(72) Inventor: **Alexander Gediehn**, Frankfurt (DE)

(73) Assignee: **Siemens Aktiengesellschaft**, Munich (DE)

(**) Term: **15 Years**

(21) Appl. No.: **29/527,842**

(22) Filed: **May 22, 2015**

(30) **Foreign Application Priority Data**

Apr. 27, 2015 (CN) 2015 3 0117175

(51) **LOC (10) Cl.** **12-05**

(52) **U.S. Cl.**
USPC **D34/29**

(58) **Field of Classification Search**
USPC D34/29; 198/837, 860.1, 861.1, 624, 643
CPC B65H 5/06; B65G 15/60; B65G 21/00;
B65G 2201/01; B65G 2201/06
See application file for complete search history.

(56) **References Cited**

U.S. PATENT DOCUMENTS

4,856,642 A * 8/1989 Nicholson B65G 47/962
198/370.04
4,984,675 A * 1/1991 Yamabe B65G 17/005
198/440

D418,656 S * 1/2000 Andersson D34/29
7,152,730 B2 * 12/2006 Gerke B65G 21/00
198/860.1
8,851,267 B2 * 10/2014 Sotelo B65G 17/12
198/370.04
D746,532 S * 12/2015 Meyer D34/29
2013/0241142 A1 * 9/2013 Hashiuchi B65H 5/06
271/264

* cited by examiner

Primary Examiner — Cynthia Ramirez

(74) *Attorney, Agent, or Firm* — Laurence Greenberg;
Werner Stemer; Ralph Locher

(57) **CLAIM**

The ornamental design for an apparatus for handling and sorting packages, as shown and described.

DESCRIPTION

FIG. 1 is a front elevation view of an apparatus for handling and sorting packages showing my new design;
FIG. 2 is a rear elevation view thereof;
FIG. 3 is a top plan view thereof;
FIG. 4 is a bottom plan view thereof;
FIG. 5 is a right side elevation view thereof;
FIG. 6 is a left side elevation view thereof; and,
FIG. 7 is a perspective view thereof.

1 Claim, 7 Drawing Sheets

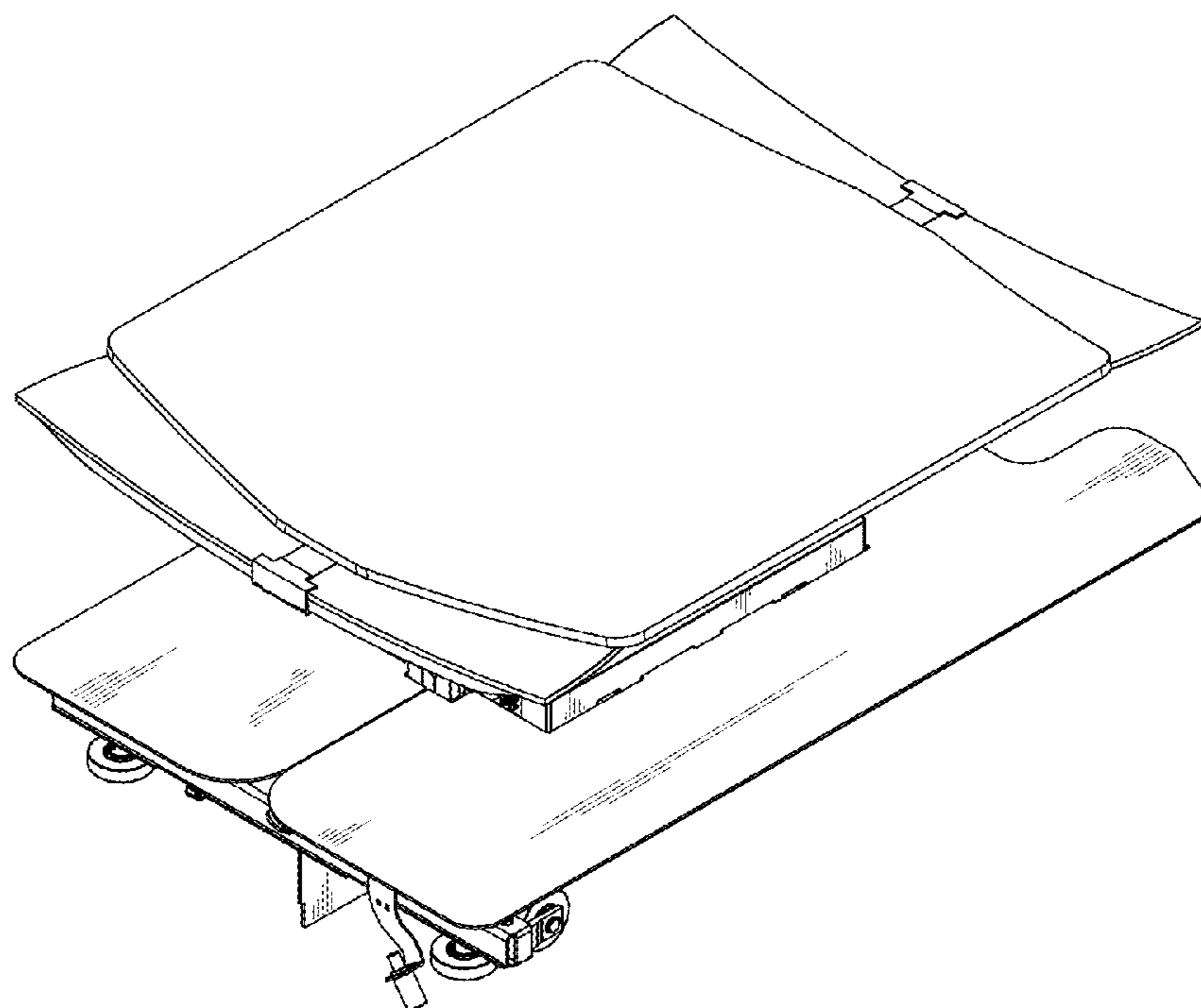


FIG. 1

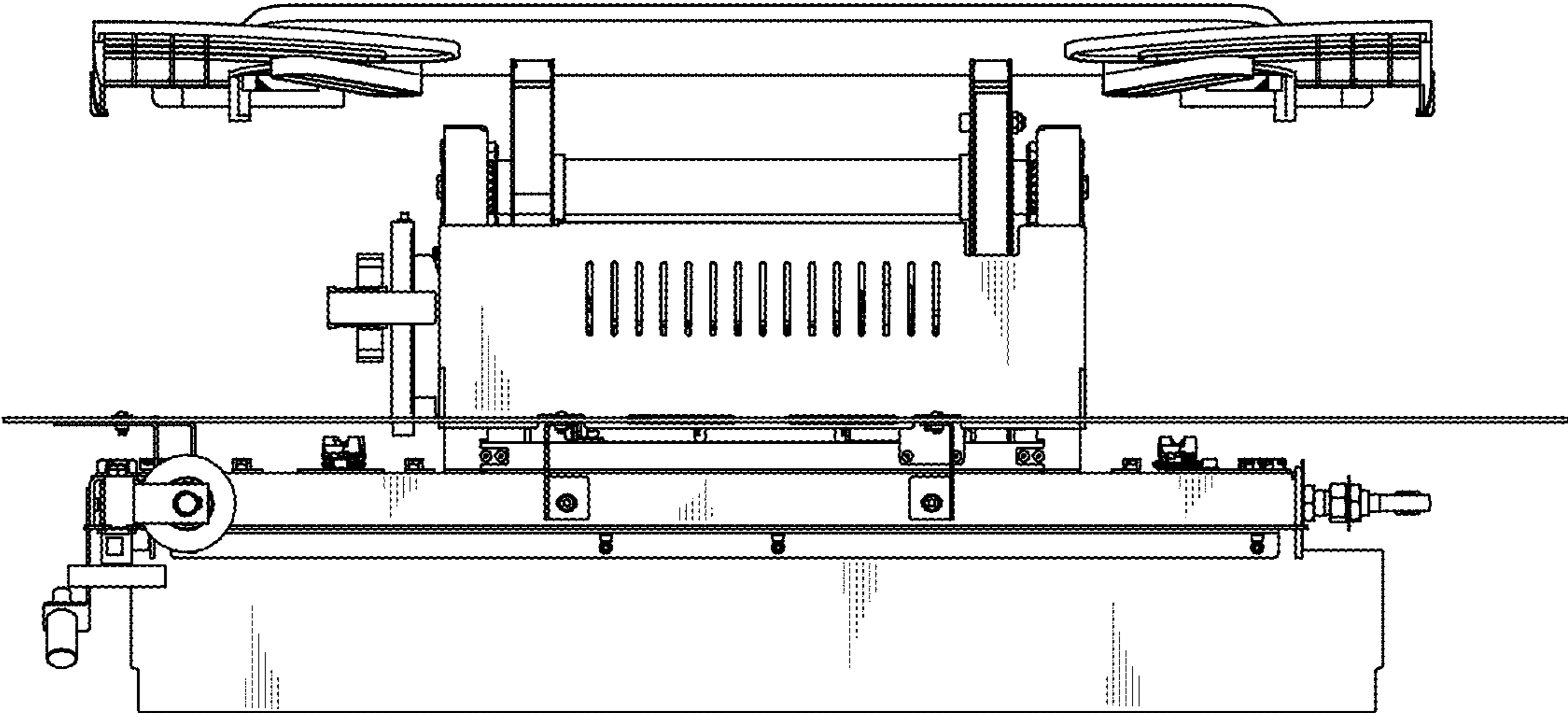


FIG. 2

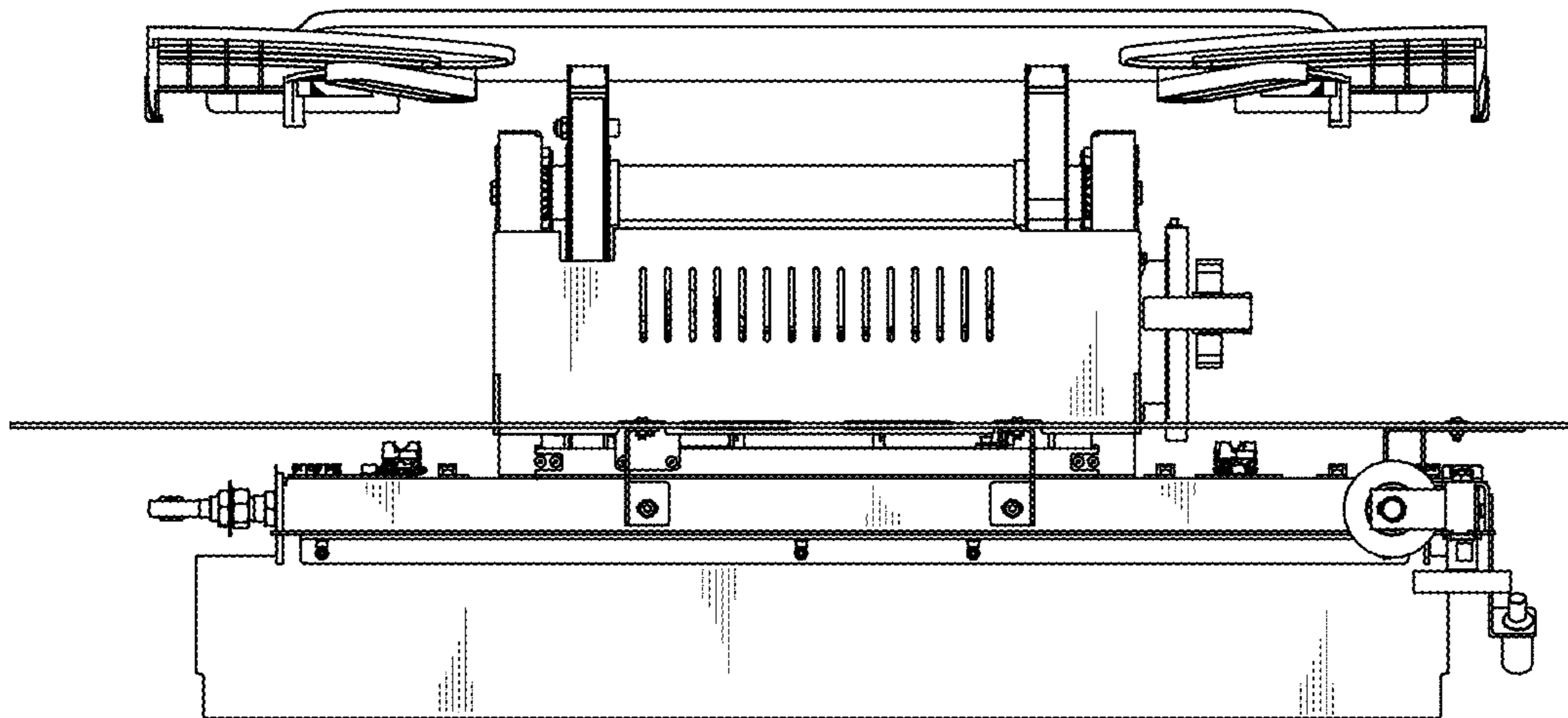


FIG. 3

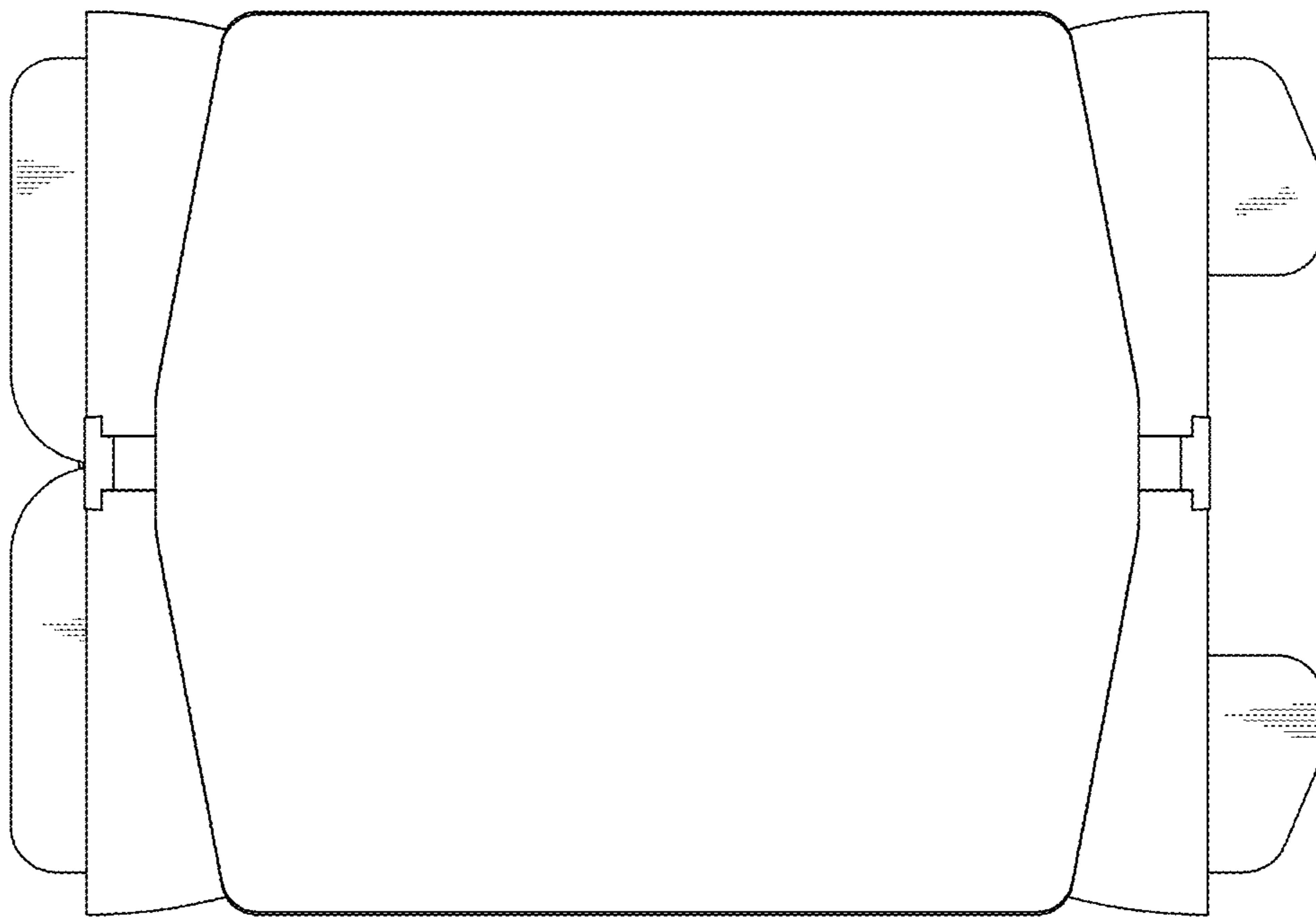


FIG. 4

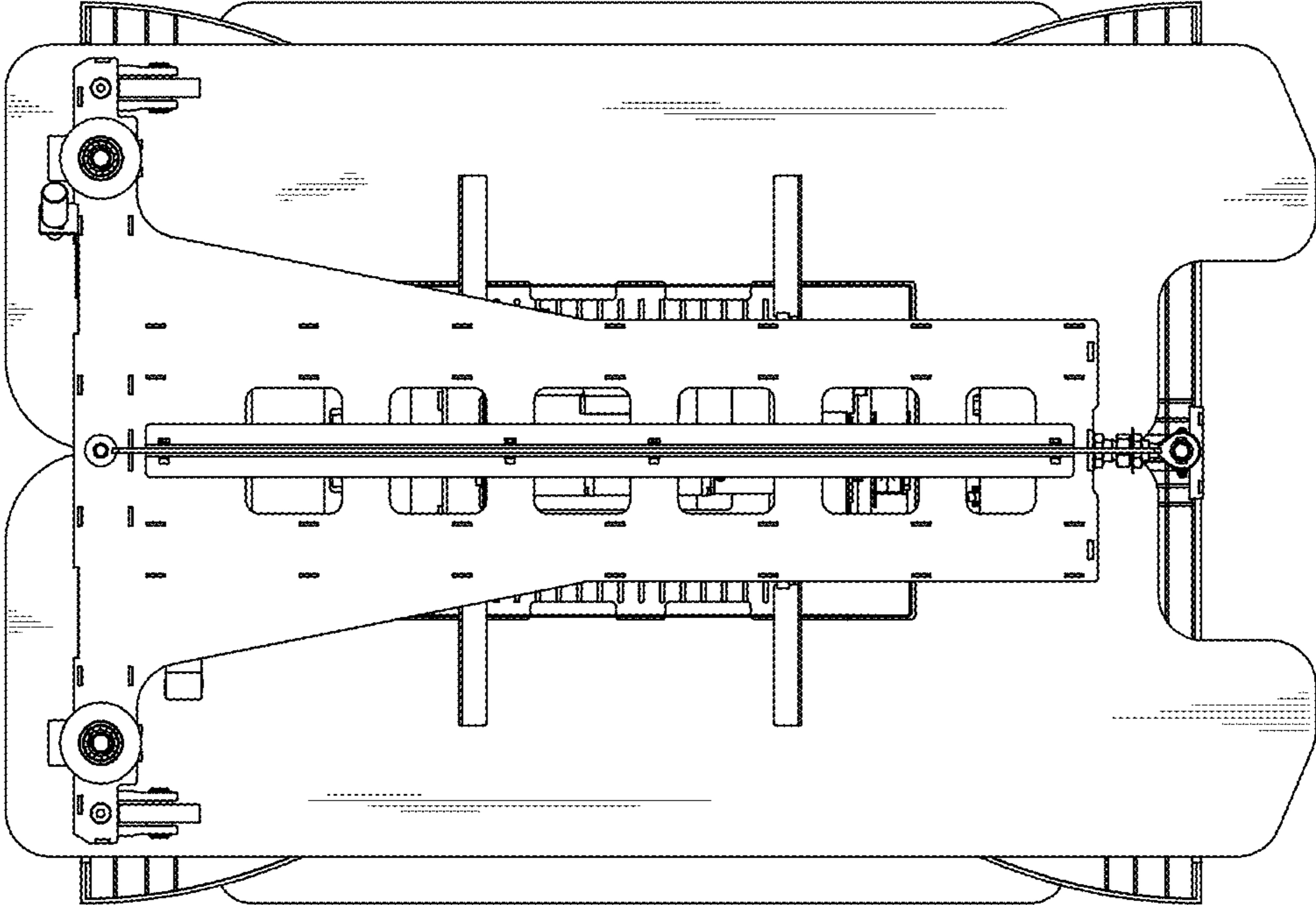


FIG. 5

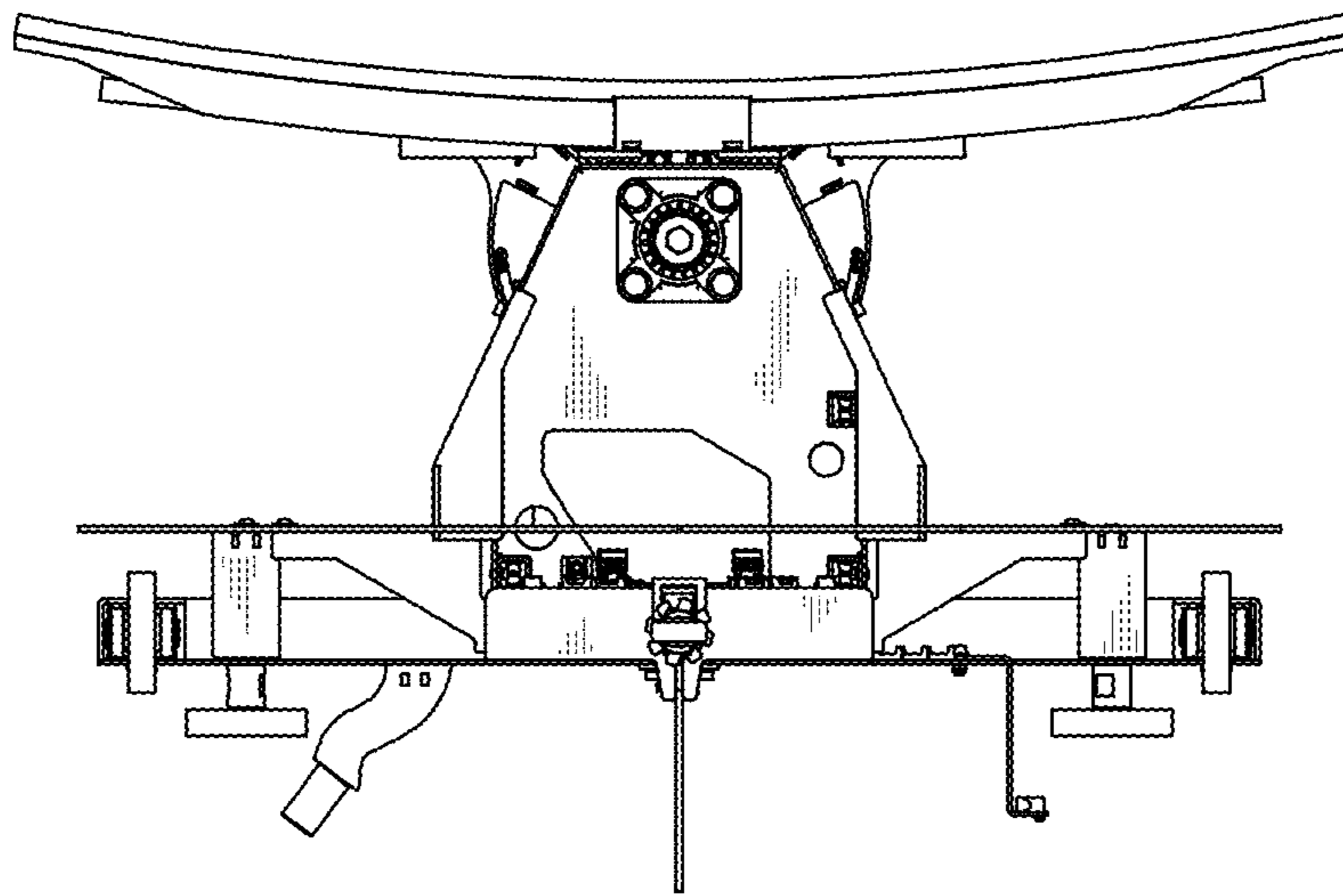


FIG. 6

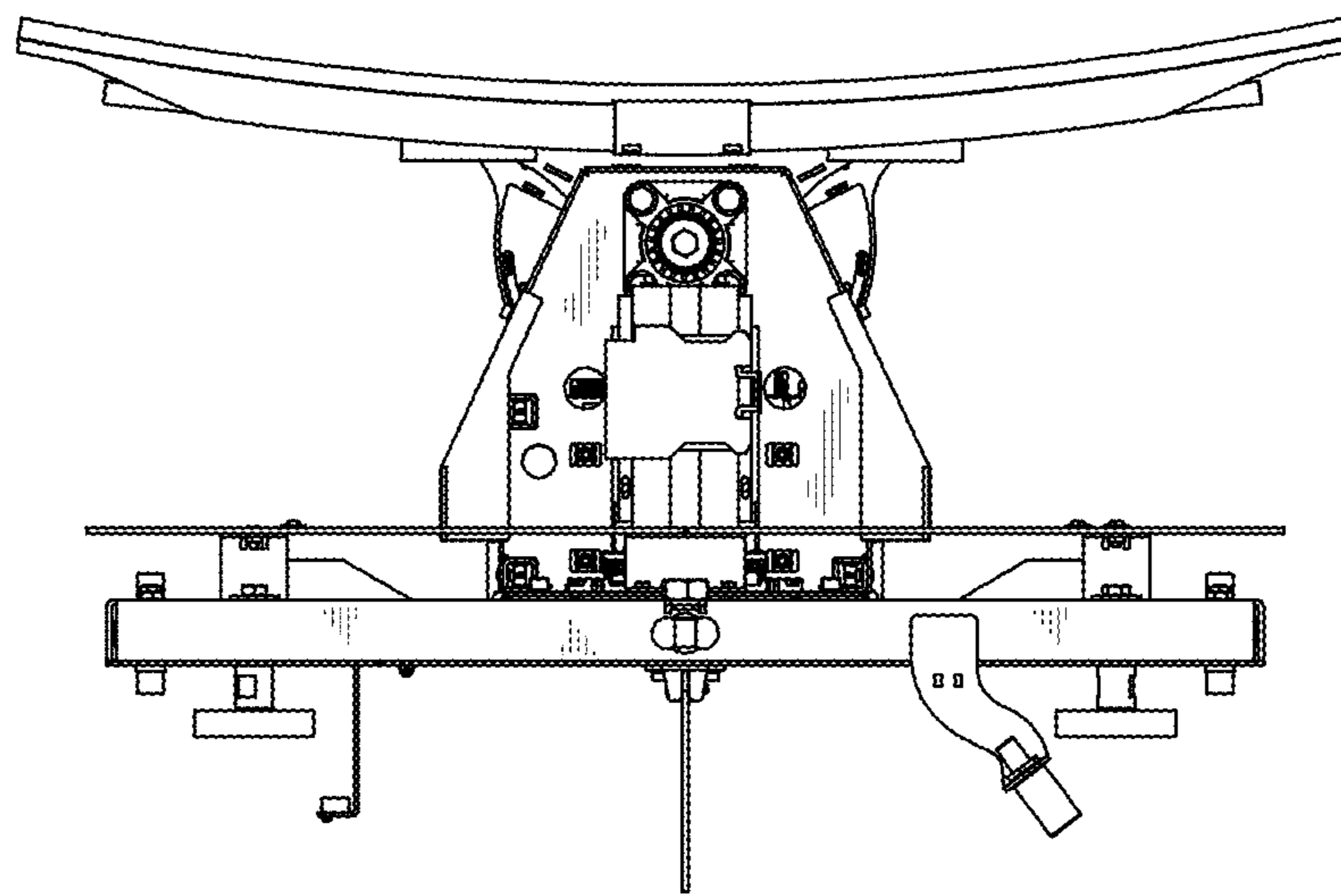


FIG. 7

