



US00D777396S

(12) **United States Design Patent**  
**Milton**

(10) **Patent No.:** **US D777,396 S**

(45) **Date of Patent:** **\*\* Jan. 24, 2017**

(54) **MULTIPURPOSE MOBILE CADDY**

(71) Applicant: **Deneen Milton**, Lansing, IA (US)

(72) Inventor: **Deneen Milton**, Lansing, IA (US)

(\*\*) Term: **15 Years**

(21) Appl. No.: **29/530,267**

(22) Filed: **Jun. 15, 2015**

(51) **LOC (10) Cl.** ..... **12-02**

(52) **U.S. Cl.**  
USPC ..... **D34/14**

(58) **Field of Classification Search**  
USPC ..... D34/12-27; 280/47.35, 652, 79.11,  
280/47.11, 47.34  
CPC ..... B66B 3/02; B62B 5/02  
See application file for complete search history.

D697,284	S *	1/2014	Ho	.....	D34/12
D734,586	S *	7/2015	Thibault	.....	D34/14
9,393,979	B1 *	7/2016	Milton	.....	B62B 3/02
2002/0056967	A1 *	5/2002	Carrillo	.....	B62B 3/008
					280/47.35
2009/0026721	A1 *	1/2009	Martinez	.....	B62B 5/04
					280/79.5
2009/0230644	A1 *	9/2009	Stanley	.....	B62B 3/10
					280/43
2013/0277257	A1 *	10/2013	Aronoff	.....	B44D 3/126
					206/373

\* cited by examiner

*Primary Examiner* — Cynthia Ramirez

(74) *Attorney, Agent, or Firm* — Shuttleworth & Ingersoll, PLC; James C. Nemmers

(57) **CLAIM**

The ornamental design for a multipurpose mobile caddy, as shown.

(56) **References Cited**

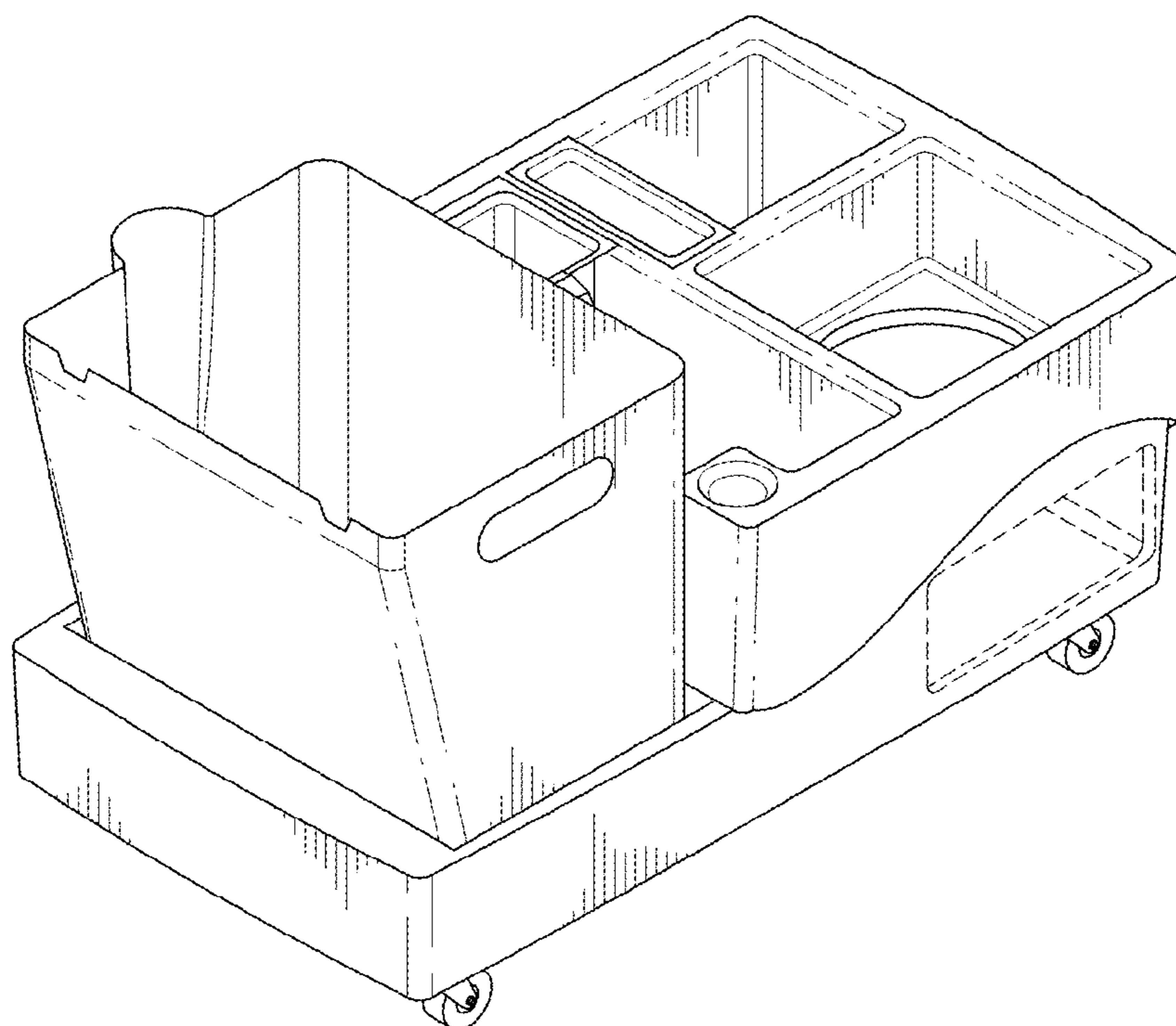
U.S. PATENT DOCUMENTS

D200,400	S *	2/1965	Cooper	.....	D34/24
D240,413	S *	7/1976	Swaim	.....	D34/21
5,190,303	A *	3/1993	Schumacher	.....	B44D 3/14
					108/129
D366,747	S *	1/1996	Litin	.....	D34/12
6,695,325	B2	2/2004	Carrillo		
D524,006	S *	6/2006	Verb	.....	D34/17
D543,723	S *	6/2007	Brown	.....	D34/19
7,568,667	B1 *	8/2009	Feik	.....	B44D 3/14
					248/128
7,823,907	B1 *	11/2010	Coholan	.....	B62B 15/008
					280/47.26

**DESCRIPTION**

FIG. 1 is a perspective view showing the caddy of the invention as viewed generally from the front and from above;  
FIG. 2 shows a top or plan view of the caddy of FIG. 1;  
FIG. 3 is a perspective view showing the caddy viewed generally from the rear and from above;  
FIG. 4 shows a front elevation view of the caddy;  
FIG. 5 shows a side elevation view of the caddy;  
FIG. 6 shows a rear elevation view of the caddy; and,  
FIG. 7 is a bottom plan view of the caddy.

**1 Claim, 7 Drawing Sheets**



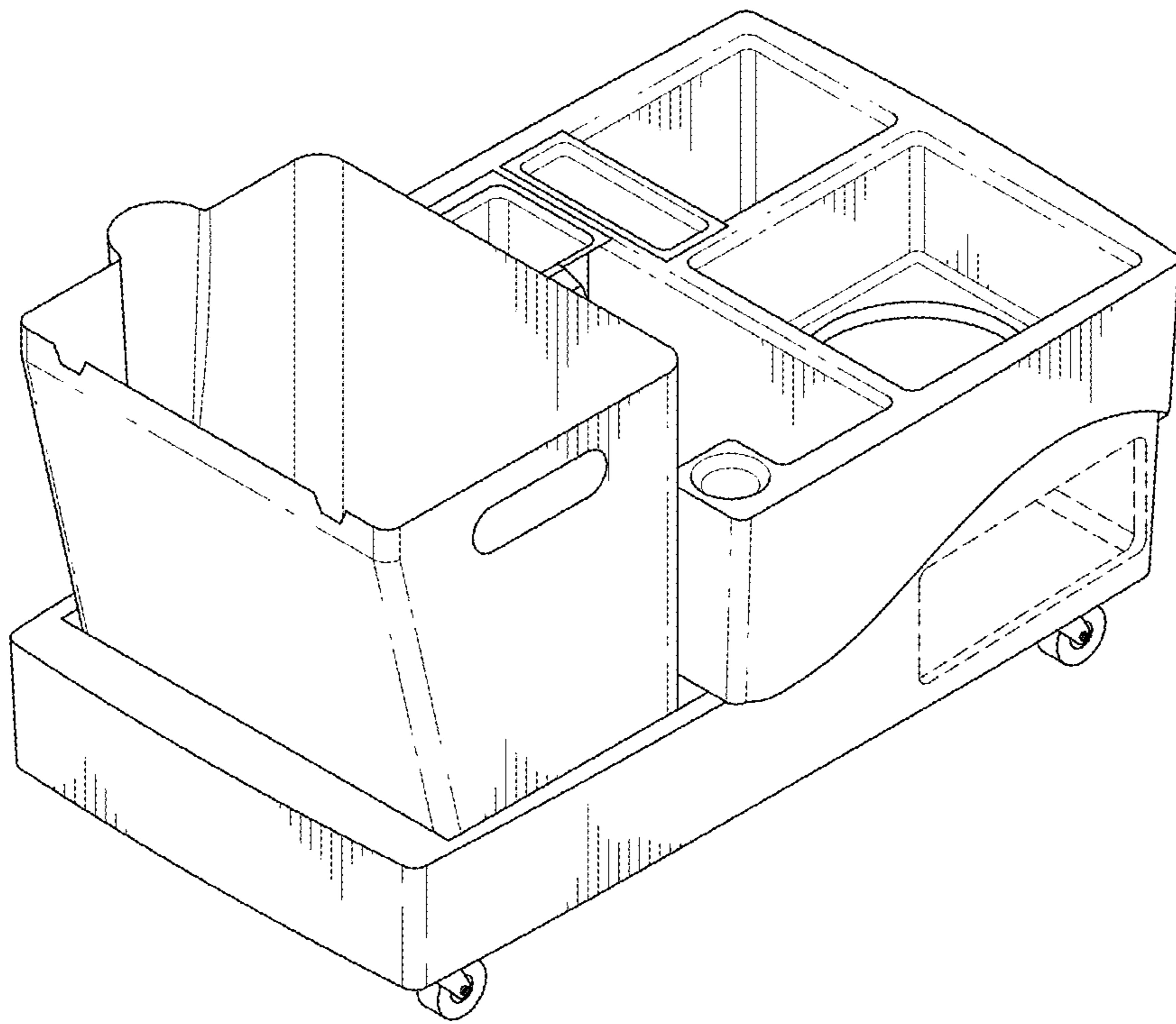


FIG. 1

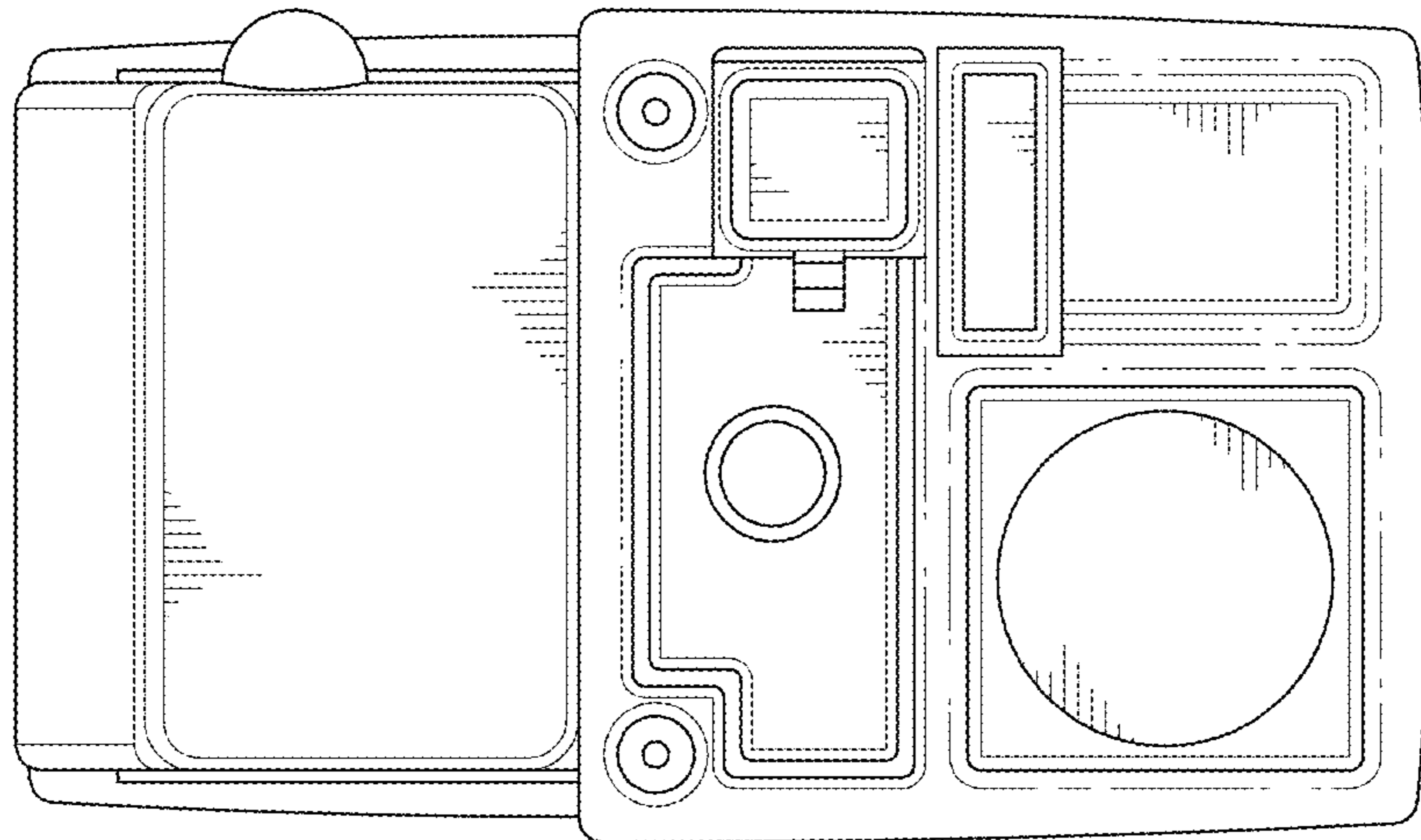


FIG. 2

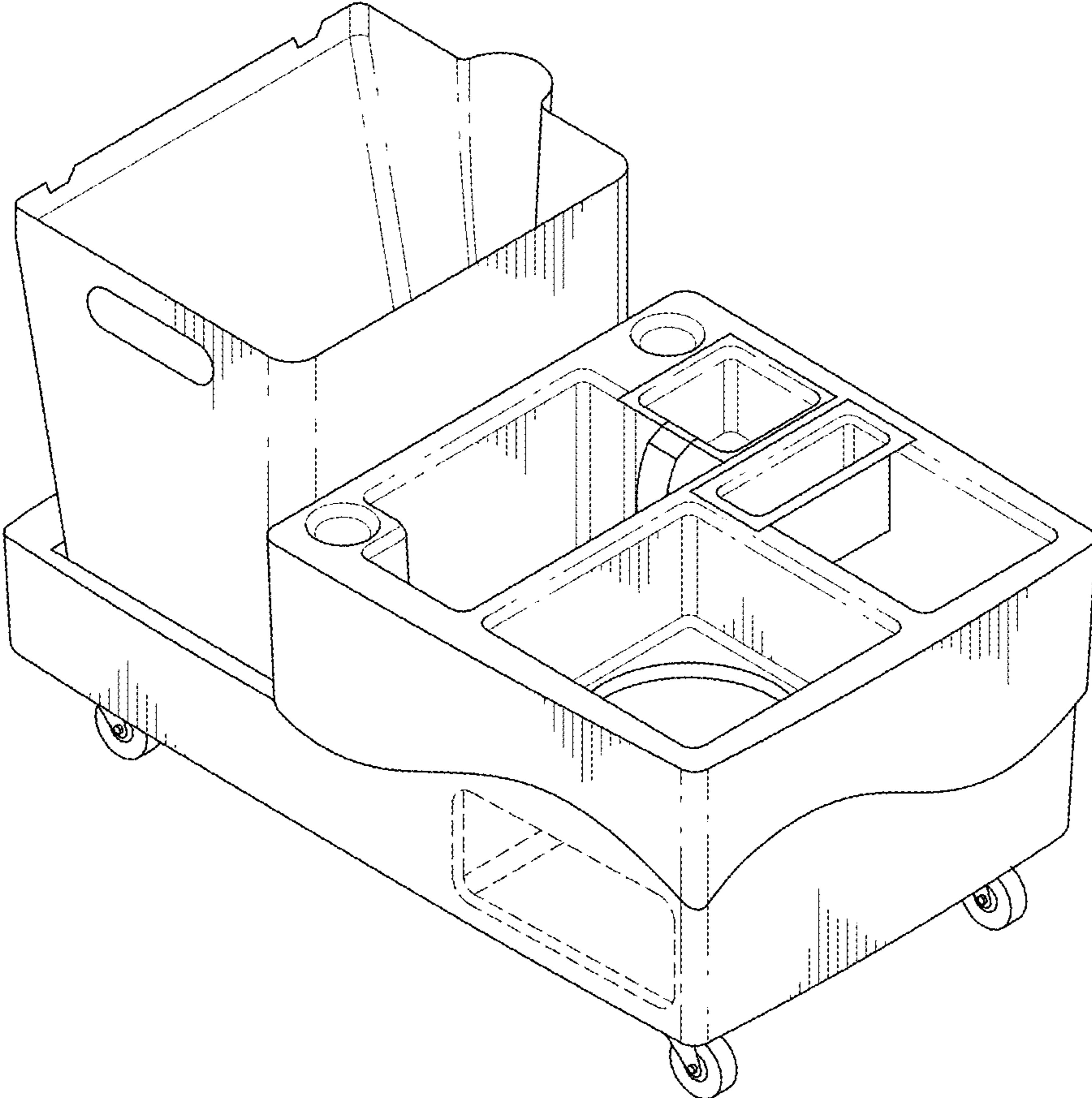


FIG. 3

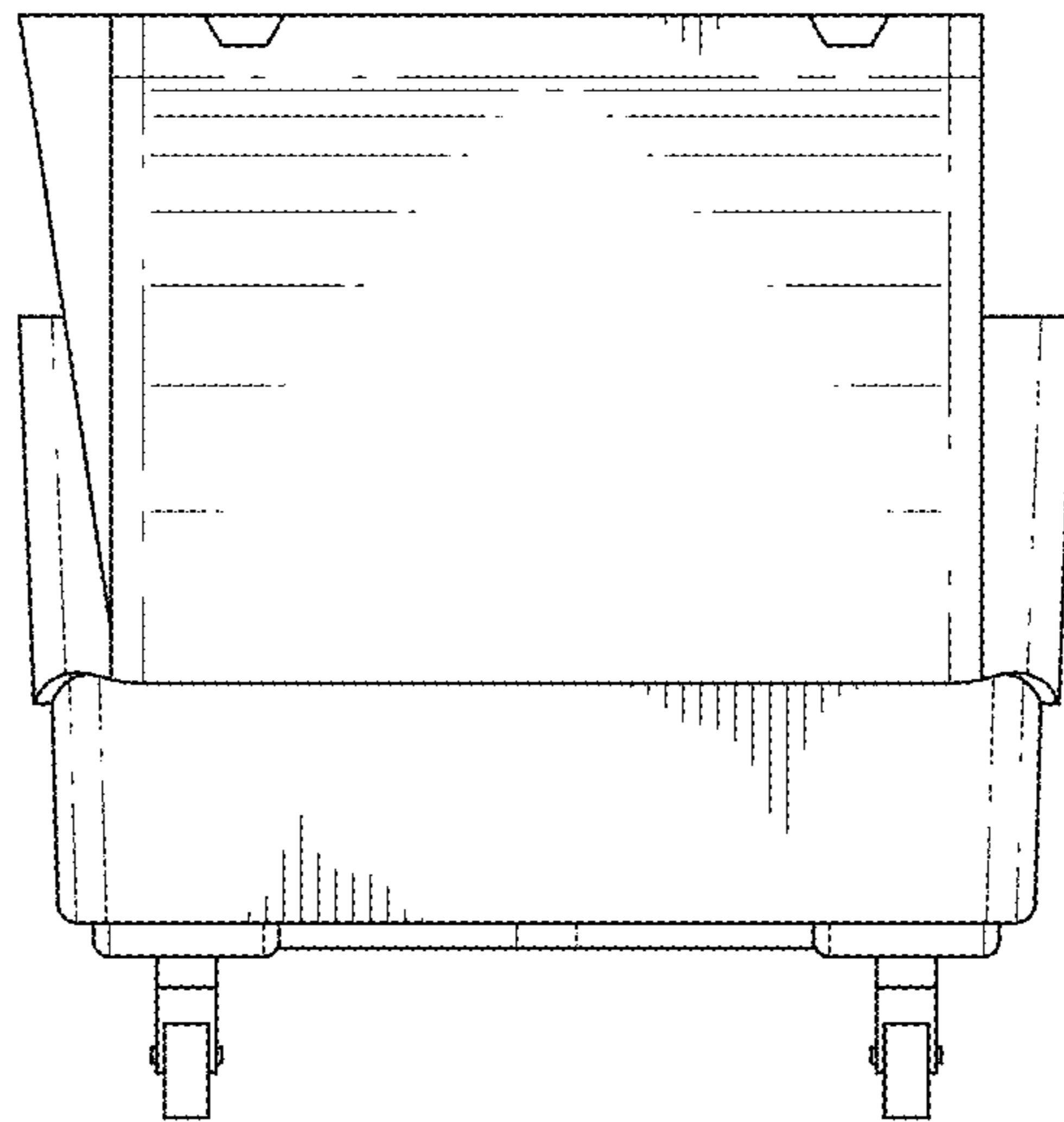


FIG.4

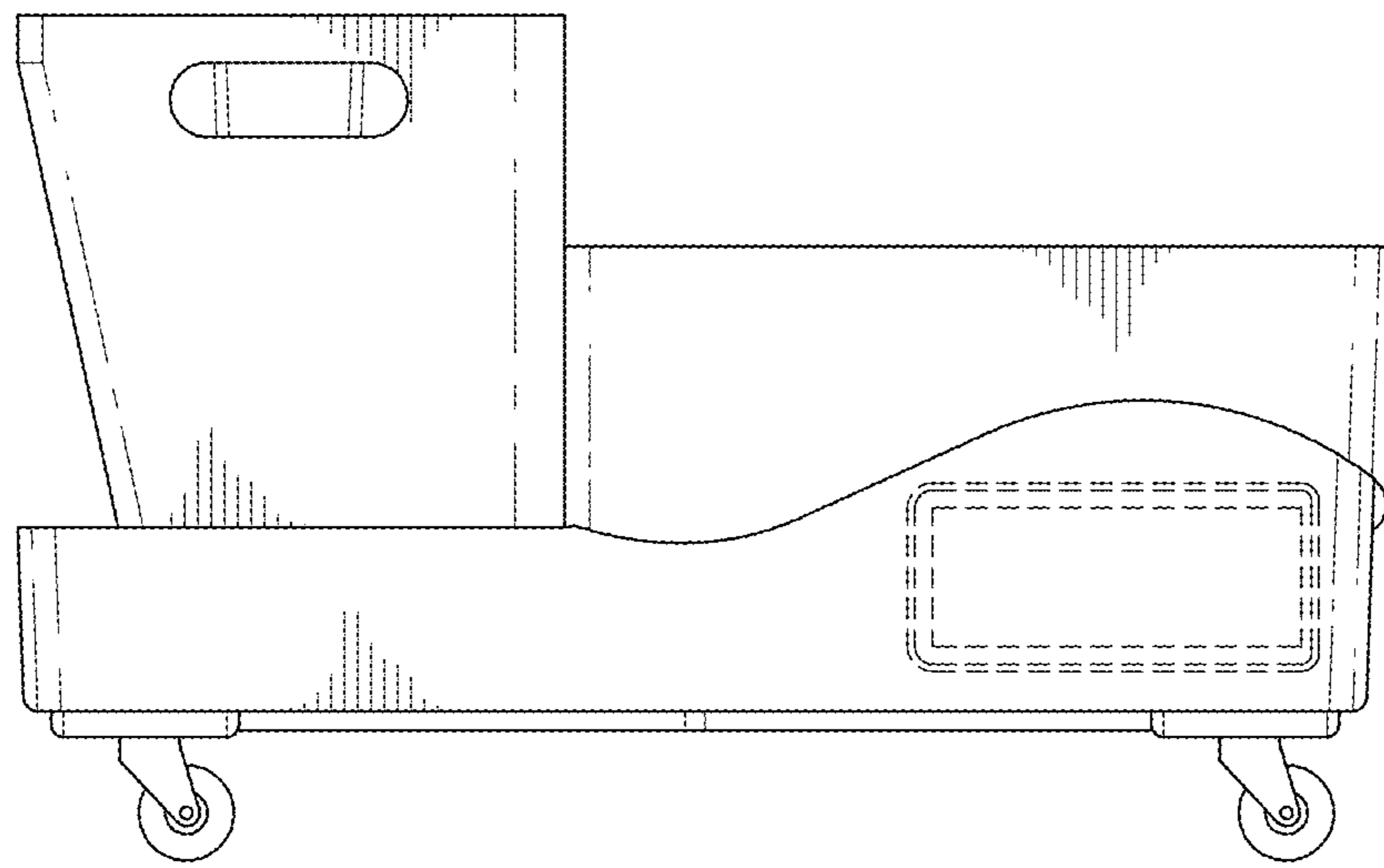


FIG. 5

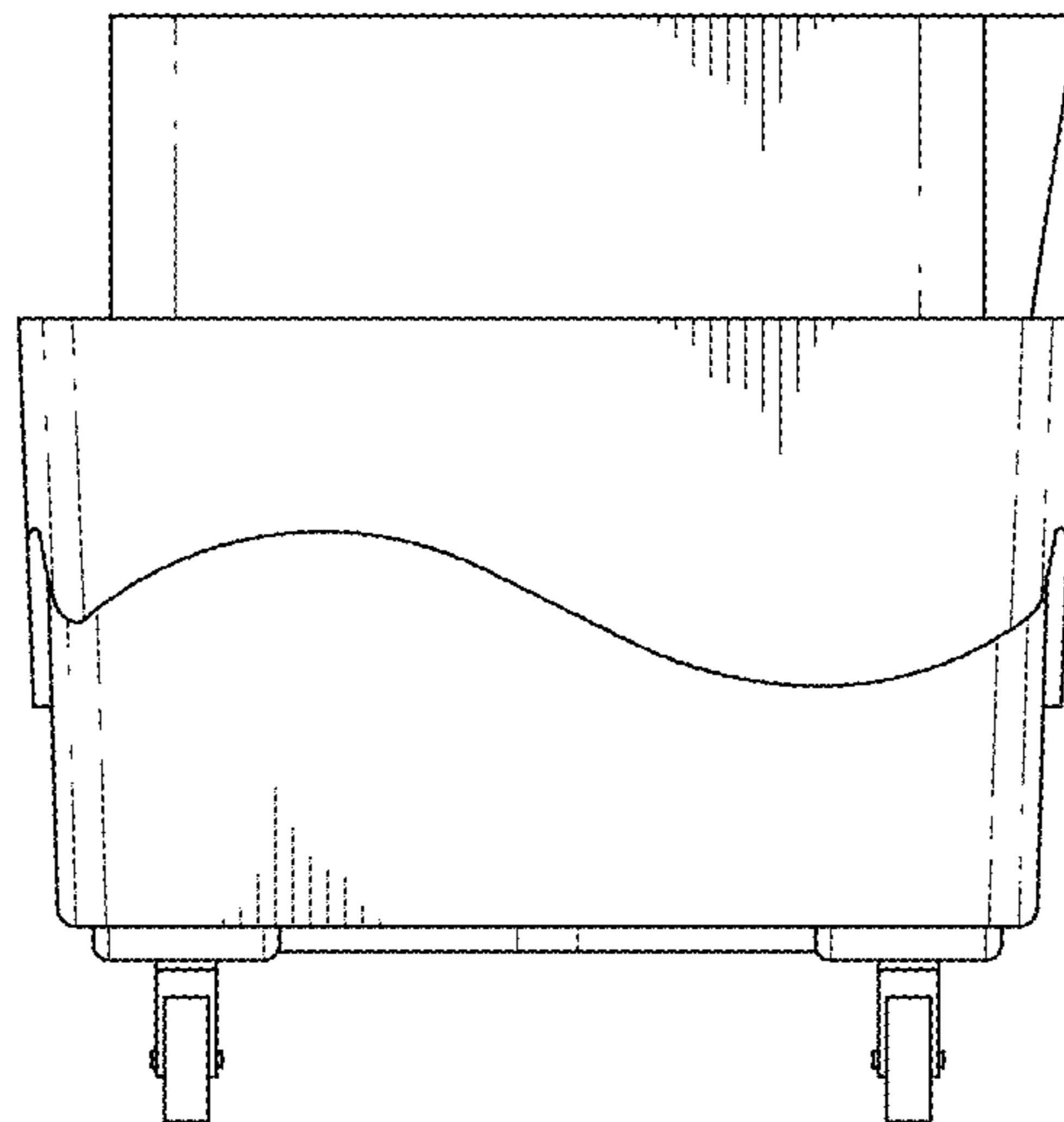


FIG.6

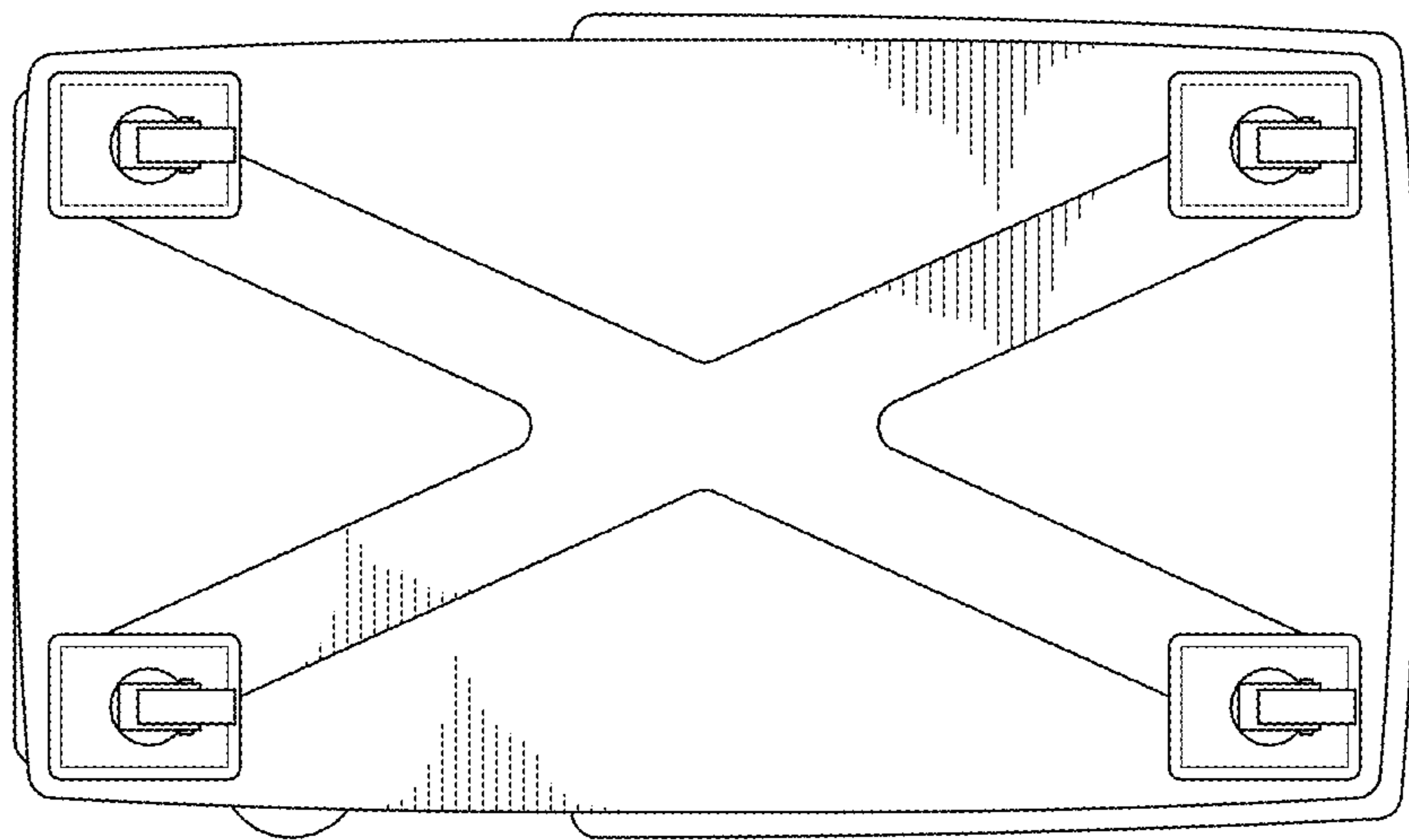


FIG. 7