



US00D777395S

(12) **United States Design Patent**
Rew

(10) **Patent No.:** **US D777,395 S**
(45) **Date of Patent:** **** Jan. 24, 2017**

- (54) **RECYCLE BIN SYSTEM**
- (71) Applicant: **Bryan Rew**, Olathe, KS (US)
- (72) Inventor: **Bryan Rew**, Olathe, KS (US)
- (**) Term: **14 Years**
- (21) Appl. No.: **29/524,157**
- (22) Filed: **Apr. 17, 2015**
- (51) **LOC (10) Cl.** **09-09**
- (52) **U.S. Cl.**
USPC **D34/10; D34/5**
- (58) **Field of Classification Search**
USPC D34/1-11; 220/908-913, 500, 503;
248/146, 346.01, 154; 280/47.19, 781,
280/42.26, 129, 79.2, 79.11
CPC B65F 1/141; B62B 3/00; B62B 3/002;
B62B 3/006
See application file for complete search history.

3,788,583	A *	1/1974	Byrd	B65F 1/141 248/146
3,856,173	A *	12/1974	Deane	B65F 1/141 211/85.19
4,084,701	A *	4/1978	White	B65F 1/141 211/81
4,357,029	A *	11/1982	Marini	B62B 1/22 211/85.19
D558,947	S *	1/2008	Gardner	D34/10
D603,118	S *	10/2009	Gollinucci	D34/7
D640,028	S *	6/2011	Gardner	D34/7
8,408,564	B2 *	4/2013	Hutchinson	B62B 3/04 280/47.34

* cited by examiner

Primary Examiner — Cynthia Ramirez

(74) *Attorney, Agent, or Firm* — Intellectual Property Center, LLC; Arthur K. Shaffer

(57) **CLAIM**

The ornamental design for a recycle bin system, as shown and described herein.

DESCRIPTION

FIG. 1 is a side perspective view of a recycle bin system in accordance with the present invention, the recycle bin system in receipt of an exemplary pair of bins and an exemplary roller;

FIG. 2 is a side elevation thereof;

FIG. 3 is a front elevation thereof;

FIG. 4 is a rear elevation thereof;

FIG. 5 is a top plan view thereof; and,

FIG. 6 is a bottom plan view thereof with the exemplary roller.

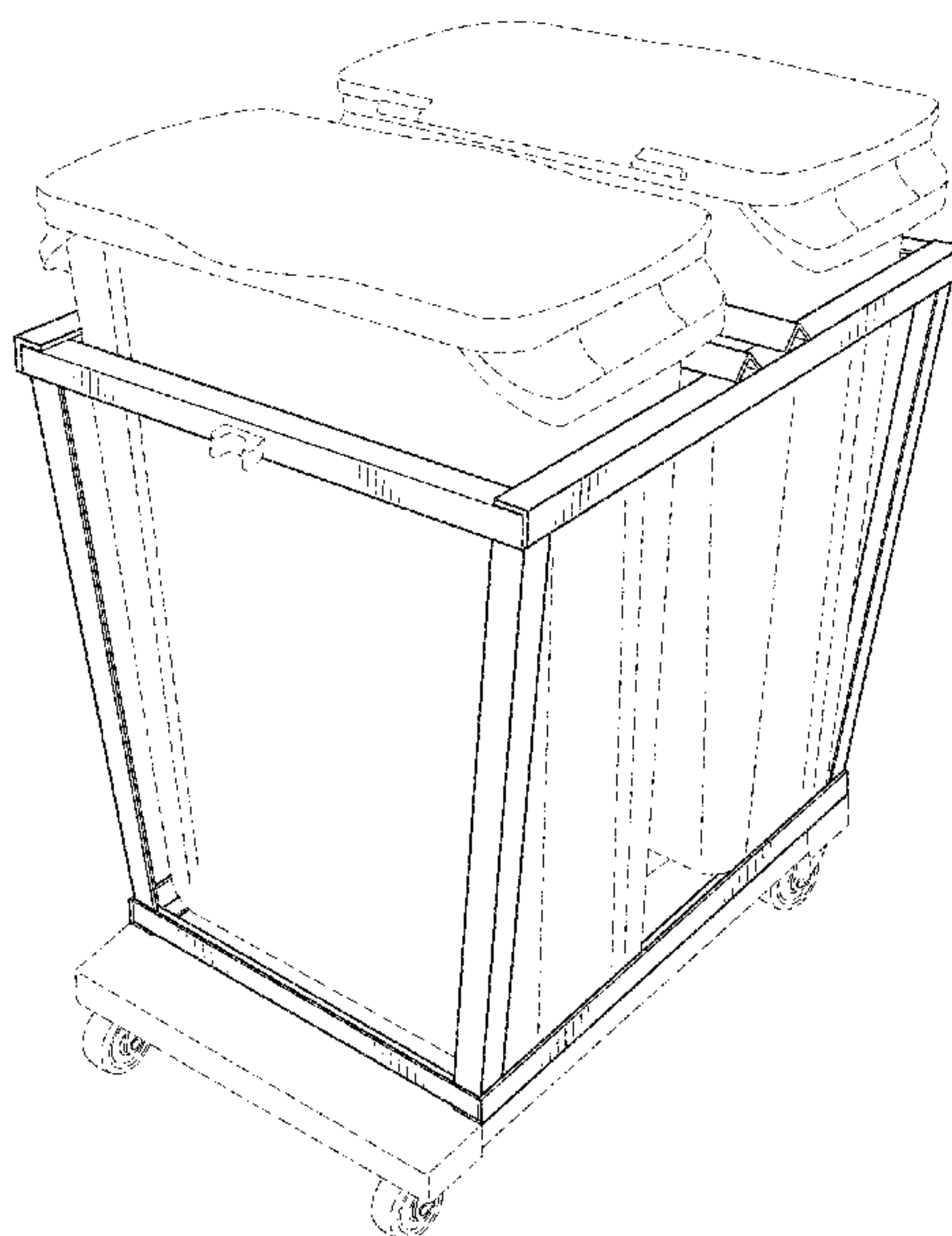
The broken and dashed lines in FIGS. 1-6 are for illustrative purposes only and form no part of the claimed invention.

(56) **References Cited**

U.S. PATENT DOCUMENTS

341,219	A *	5/1886	Cadbury et al.	267/73
3,232,441	A *	2/1966	Mitscherling	B65F 1/141 211/85.19
3,276,600	A *	10/1966	Black	B62B 1/264 211/85.19
3,280,988	A *	10/1966	Bennett	B62B 1/264 211/85.19
3,520,505	A *	7/1970	Allen	B65F 1/141 211/85.19
3,547,273	A *	12/1970	Bompart	B65F 1/141 211/84
3,750,990	A *	8/1973	Jacobs	B65F 1/141 248/146

1 Claim, 6 Drawing Sheets



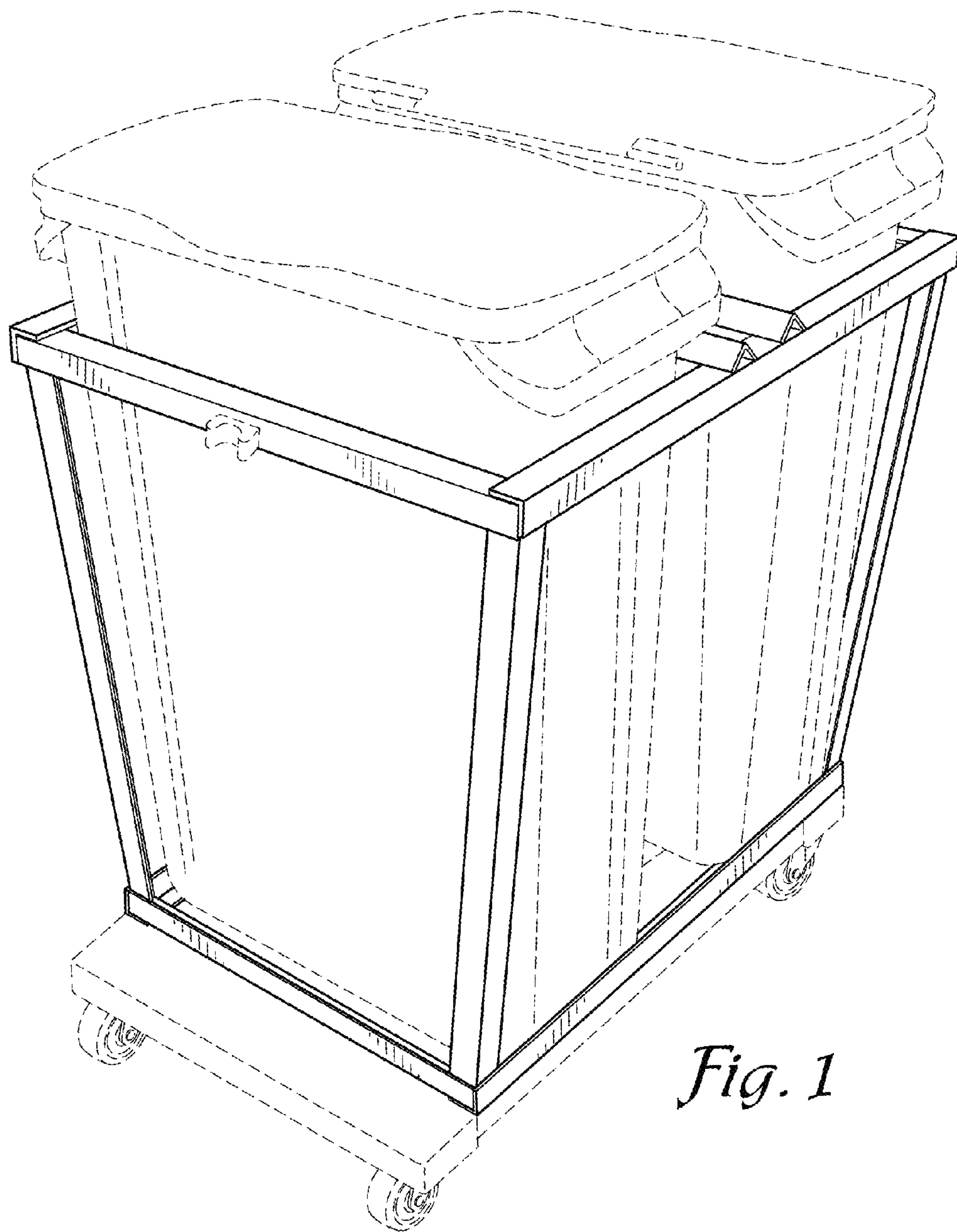


Fig. 1

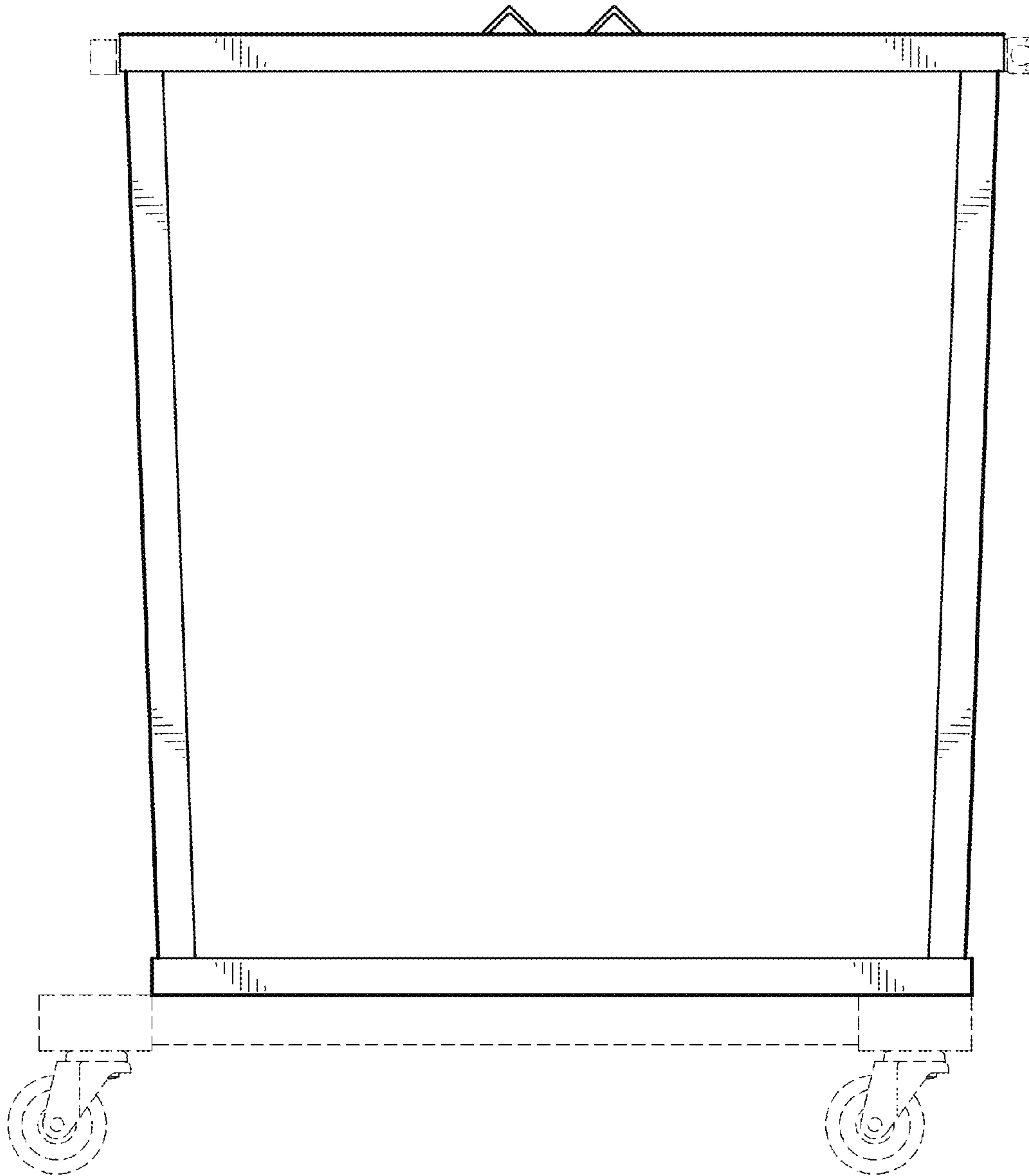


Fig. 2

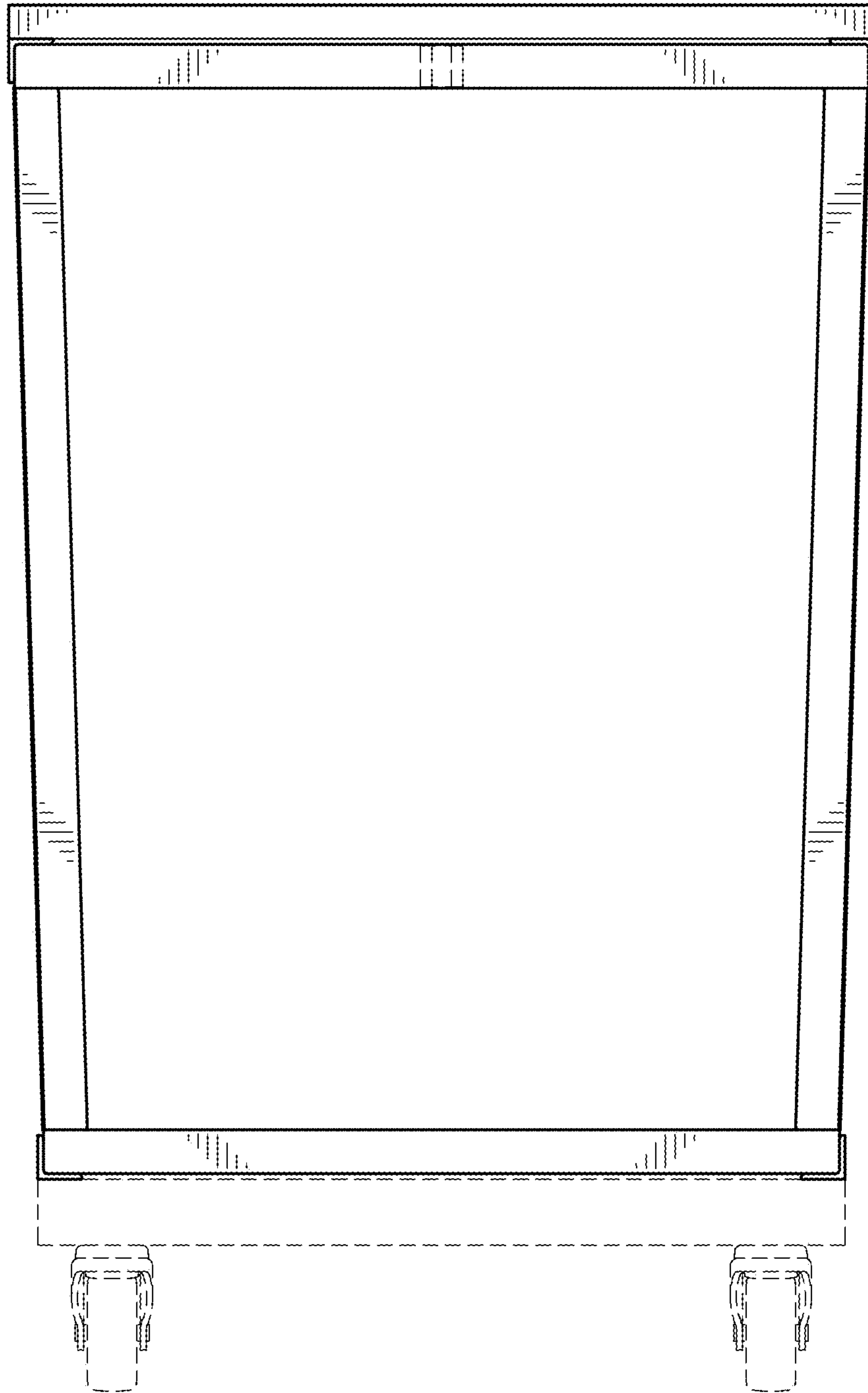


Fig. 3

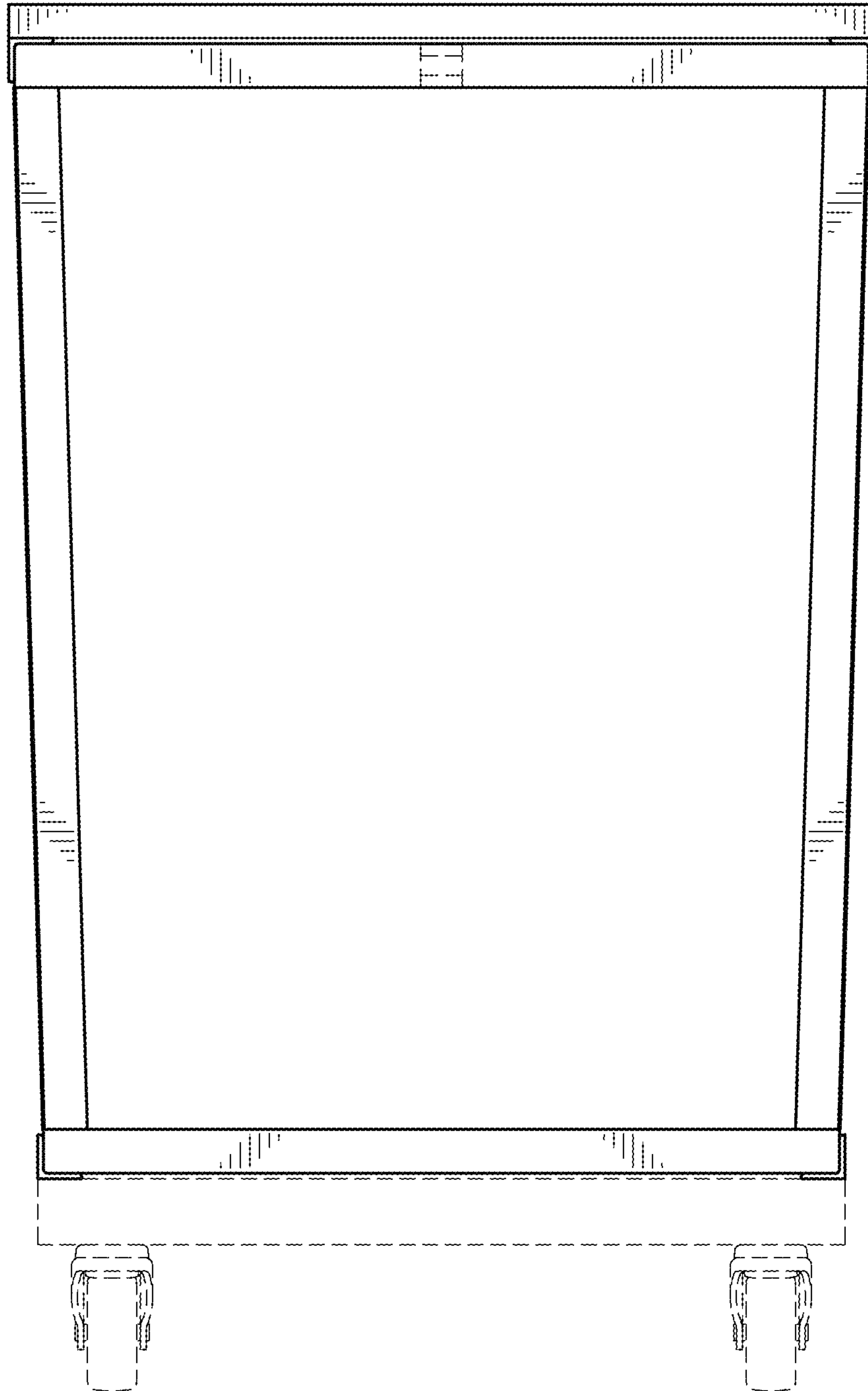


Fig. 4

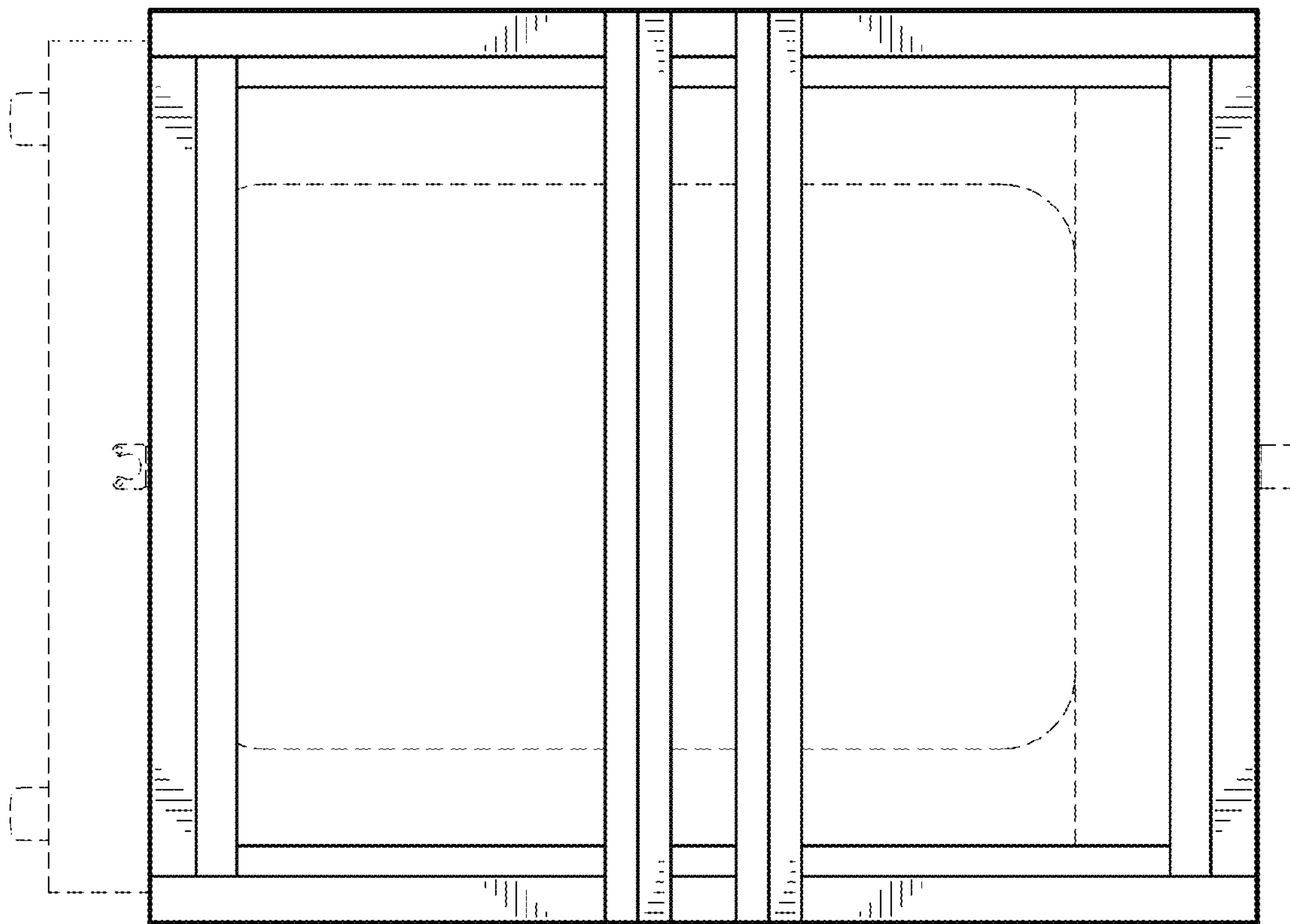


Fig. 5

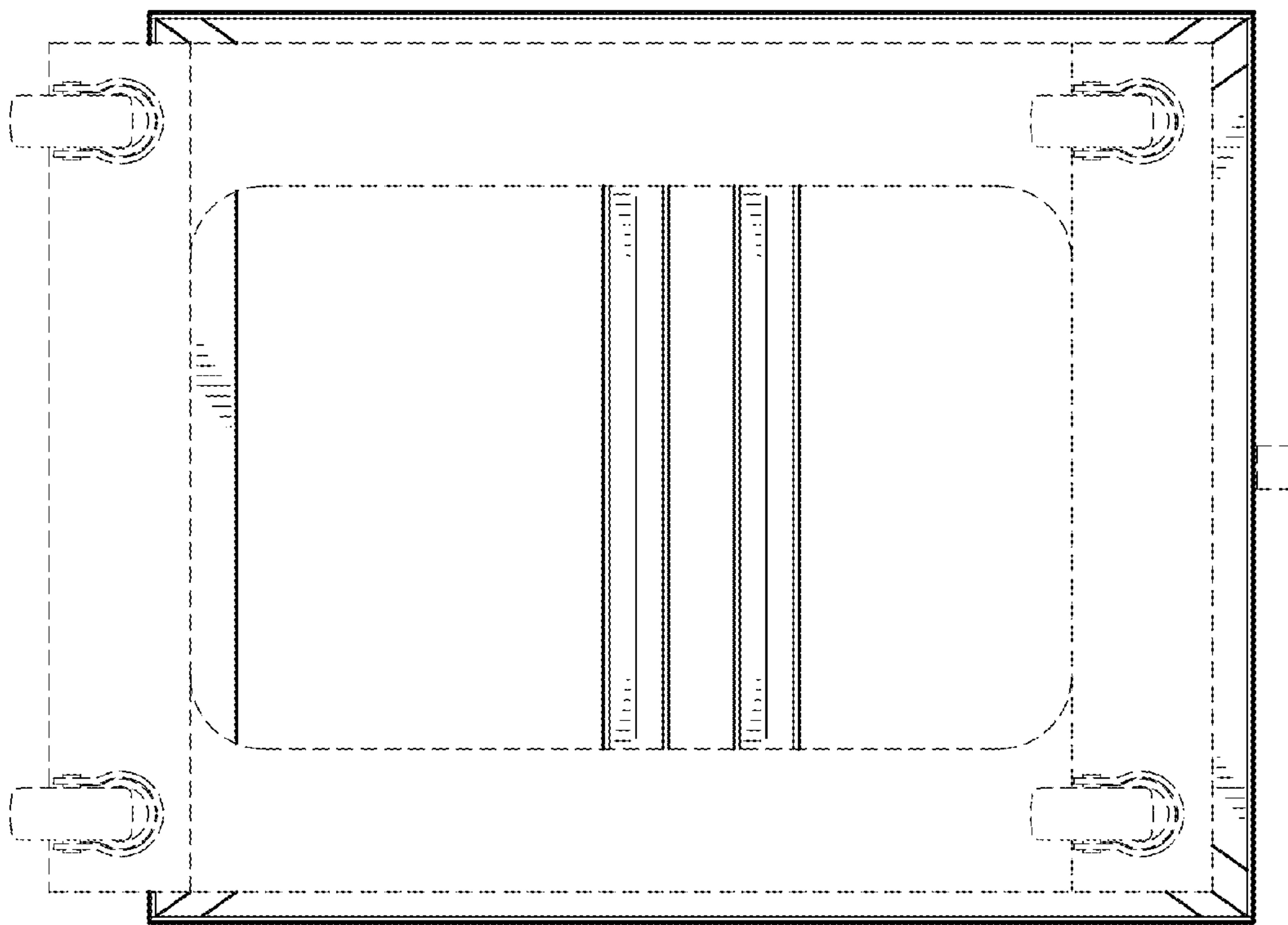


Fig. 6