



US00D777394S

(12) **United States Design Patent**
Stravitz

(10) **Patent No.:** **US D777,394 S**
(45) **Date of Patent:** **** Jan. 24, 2017**

(54) **BAG-RETAINING INSERT FOR WASTE CONTAINER**

(71) Applicant: **David M Stravitz**, New York, NY (US)

(72) Inventor: **David M Stravitz**, New York, NY (US)

(**) Term: **15 Years**

(21) Appl. No.: **29/570,262**

(22) Filed: **Jul. 6, 2016**

Related U.S. Application Data

(60) Continuation-in-part of application No. 14/935,835, filed on Nov. 9, 2015, and a division of application No. 29/551,334, filed on Jan. 12, 2016, now Pat. No. Des. 764,136, which is a continuation-in-part of application No. 14/935,835, filed on Nov. 9, 2015.

(51) **LOC (10) Cl.** **09-09**

(52) **U.S. Cl.**
USPC **D34/6; D34/10**

(58) **Field of Classification Search**
USPC D34/1, 5, 6, 10, 11; 248/95, 97, 99, 100
CPC B65F 1/1415; B65B 67/1227; B65B 67/1238; B65B 67/12
See application file for complete search history.

(56) **References Cited**

U.S. PATENT DOCUMENTS

1,719,185 A	7/1929	Lowy
2,434,238 A	1/1948	Wolfson
2,793,373 A	5/1957	Ewing
3,134,548 A	5/1964	Medina et al.
3,214,065 A	10/1965	Thornton
4,427,110 A	1/1984	Shaw, Jr.
4,488,697 A	12/1984	Garvey
4,902,482 A	2/1990	Faust
5,174,462 A	12/1992	Hames

D334,975 S	4/1993	Bunce et al.
D344,624 S	3/1994	Schnel et al.
5,520,303 A	5/1996	Bernstein et al.
5,556,063 A	9/1996	Boyd
5,988,520 A	11/1999	Bitner
D457,283 S	5/2002	Wayt
6,540,103 B2	4/2003	Silvers
6,612,099 B2	9/2003	Stravitz
D485,404 S	1/2004	Del Prato
6,679,462 B1	1/2004	Valdez
6,804,930 B2	10/2004	Stravitz
6,837,394 B2	1/2005	Nnamani
6,851,251 B2	2/2005	Stravitz
6,904,867 B2	6/2005	Zamjahn
6,974,029 B2	12/2005	Morand et al.
7,086,569 B2	8/2006	Stravitz
7,114,314 B2	10/2006	Stravitz

(Continued)

Primary Examiner — Cynthia Ramirez

(74) *Attorney, Agent, or Firm* — Brian Roffe

(57) **CLAIM**

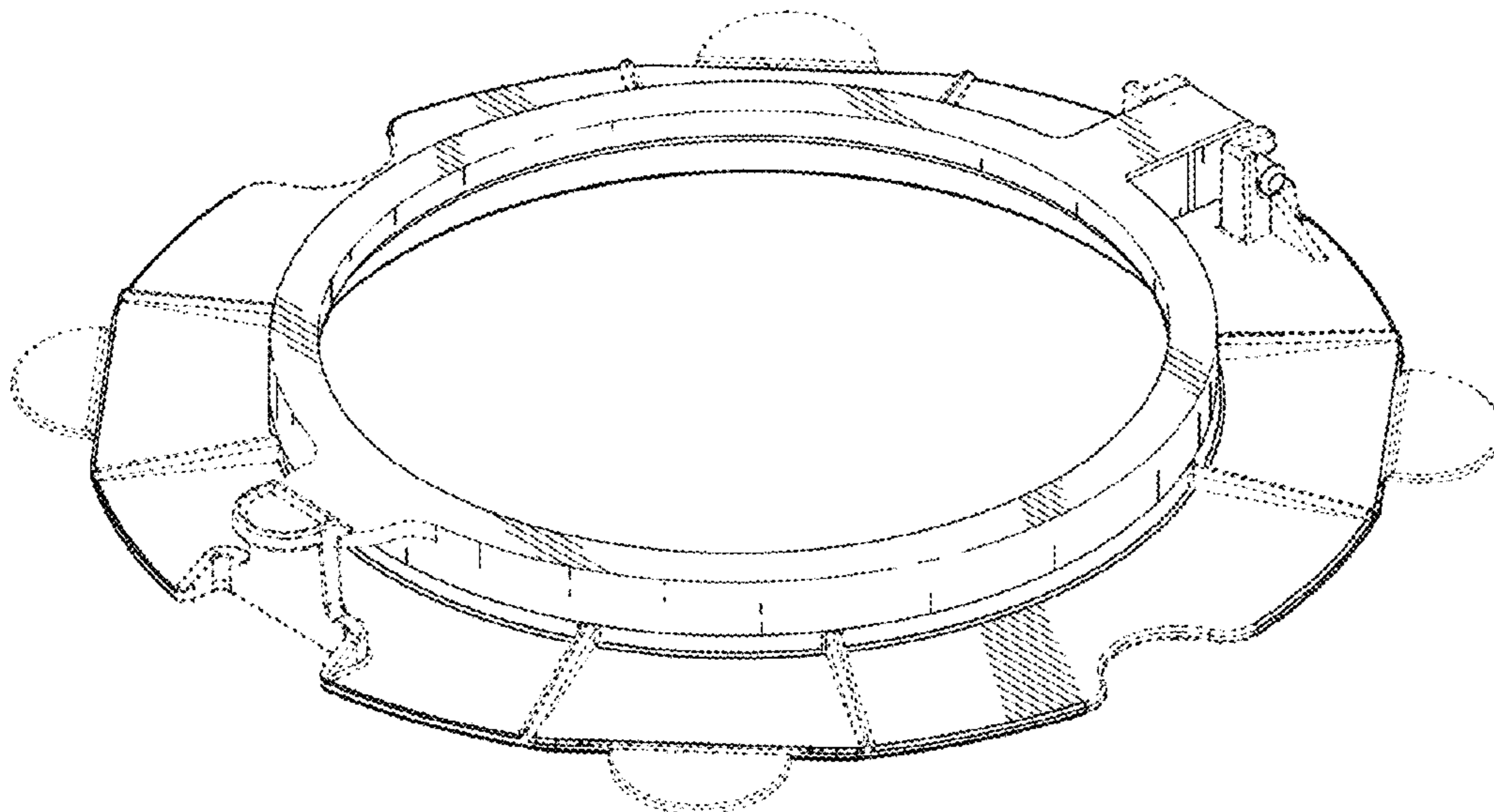
The ornamental design for a bag-retaining insert for waste container, as shown and described.

DESCRIPTION

FIG. 1 is a perspective view of a bag-retaining insert for waste container showing my new design; FIG. 2 is a bottom perspective view thereof; FIG. 3 is a top plan view thereof; FIG. 4 is a front elevational view thereof; FIG. 5 is a rear elevational view thereof; FIG. 6 is a left elevational view thereof; FIG. 7 is a right elevational view thereof; and, FIG. 8 is a bottom plan view thereof.

The broken lines shown in the figures are included for the purpose of illustrating portions of the bag-retaining insert for waste container and forms no part of the claimed design.

1 Claim, 5 Drawing Sheets



(56)

References Cited

U.S. PATENT DOCUMENTS

7,146,785 B2	12/2006	Stravitz	8,635,838 B2	1/2014	Dunn et al.
D537,598 S	2/2007	Moore	8,647,587 B2	2/2014	Dunn et al.
7,225,943 B2	6/2007	Yang et al.	8,657,139 B1	2/2014	Bodine
D559,494 S	1/2008	Yang et al.	8,690,017 B2	4/2014	Dunn et al.
7,316,100 B2	1/2008	Stravitz et al.	8,739,501 B2	6/2014	Dunn et al.
D567,466 S	4/2008	Lee	8,752,724 B2	6/2014	Babikian et al.
7,406,814 B2	8/2008	Morand	8,833,592 B2	9/2014	Dunn et al.
7,434,377 B2	10/2008	Stravitz et al.	8,834,023 B1	9/2014	Laera
D586,066 S	2/2009	Lin	8,844,751 B2	9/2014	Sakaguchi et al.
7,503,152 B2	3/2009	Stravitz et al.	8,899,420 B2	12/2014	Morand
7,503,159 B2	3/2009	Stravitz et al.	8,910,821 B1	12/2014	Stravitz
7,516,865 B1	4/2009	Pierre	D722,735 S	2/2015	Del Rosario Roy et al.
7,543,716 B2	6/2009	Lin	D723,239 S	2/2015	Raschke et al.
D596,364 S	7/2009	Morand	8,959,880 B2	2/2015	Morand
7,617,659 B2	11/2009	Stravitz et al.	8,973,774 B1	3/2015	Stravitz
7,696,711 B2	4/2010	Pollack et al.	D728,184 S	4/2015	Hoggatt
7,708,188 B2	5/2010	Stravitz et al.	9,085,404 B2	7/2015	Dunn et al.
7,712,285 B2	5/2010	Stravitz et al.	D737,013 S	8/2015	Baumer
D619,905 S	7/2010	Dunn et al.	D739,632 S	9/2015	Senser
7,878,359 B1	2/2011	Ko	D747,060 S	1/2016	Valderrama et al.
7,931,150 B2	4/2011	Morand	D764,136 S *	8/2016	Stravitz D34/10
D639,002 S	5/2011	Dunn et al.	D766,534 S *	9/2016	Stravitz D34/10
D639,003 S	5/2011	Dunn et al.	2002/0051739 A1	5/2002	Wang
D639,004 S	5/2011	Dunn et al.	2003/0085227 A1	5/2003	Azzarello
7,963,414 B1	6/2011	Stravitz	2005/0056649 A1	3/2005	Simonson et al.
D645,221 S	9/2011	Brown et al.	2005/0082196 A1	4/2005	Lin
D652,189 S	1/2012	Morand	2008/0134644 A1	6/2008	Knuth et al.
D653,009 S	1/2012	Larrivee et al.	2008/0264948 A1	10/2008	Kovacevich et al.
D654,738 S	2/2012	Morand	2009/0046955 A1	2/2009	Schember et al.
8,127,519 B2	3/2012	Stravitz	2009/0071959 A1	3/2009	Cheung
D657,107 S	4/2012	Fitzpatrick et al.	2010/0005762 A1	1/2010	Stravitz
8,215,089 B2	7/2012	Stravitz	2010/0140423 A1	6/2010	Davies et al.
8,235,237 B1	8/2012	Stravitz	2011/0099945 A1	5/2011	Dunn et al.
8,266,871 B1	9/2012	Stravitz	2011/0099958 A1	5/2011	Dunn et al.
8,393,489 B1	3/2013	Stravitz	2012/0211494 A1	8/2012	Morand
D682,725 S	5/2013	Reeder et al.	2013/0048641 A1	2/2013	Romani
D683,099 S	5/2013	Wright et al.	2013/0181000 A1	7/2013	Miksovsky et al.
D683,922 S	6/2013	Huang	2013/0252534 A1	9/2013	Smith
8,567,157 B2	10/2013	Dunn et al.	2014/0027452 A1	1/2014	Pan
			2014/0042168 A1	2/2014	Dunn et al.
			2015/0368041 A1	12/2015	Coffin

* cited by examiner

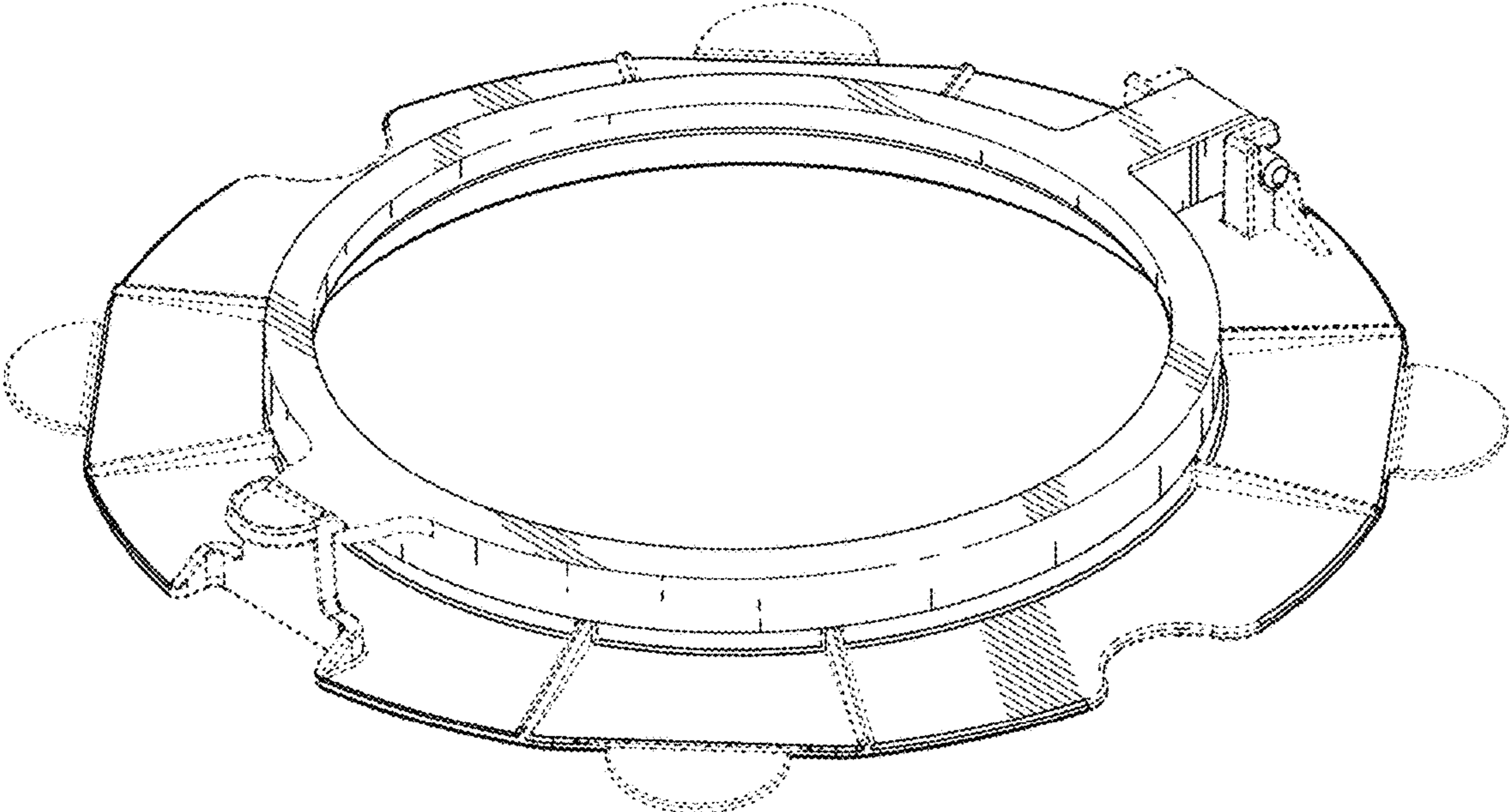


FIG. 1

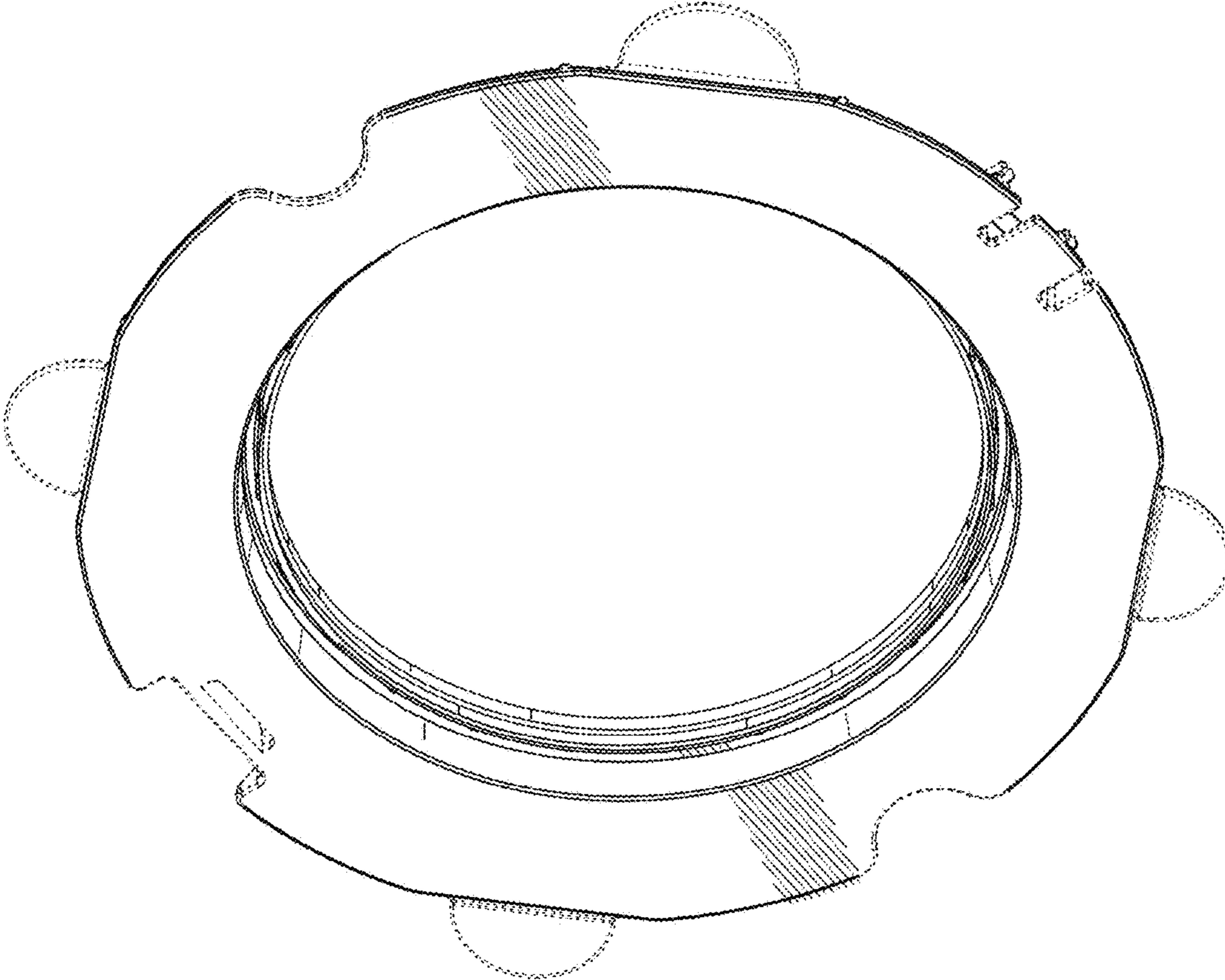


FIG. 2

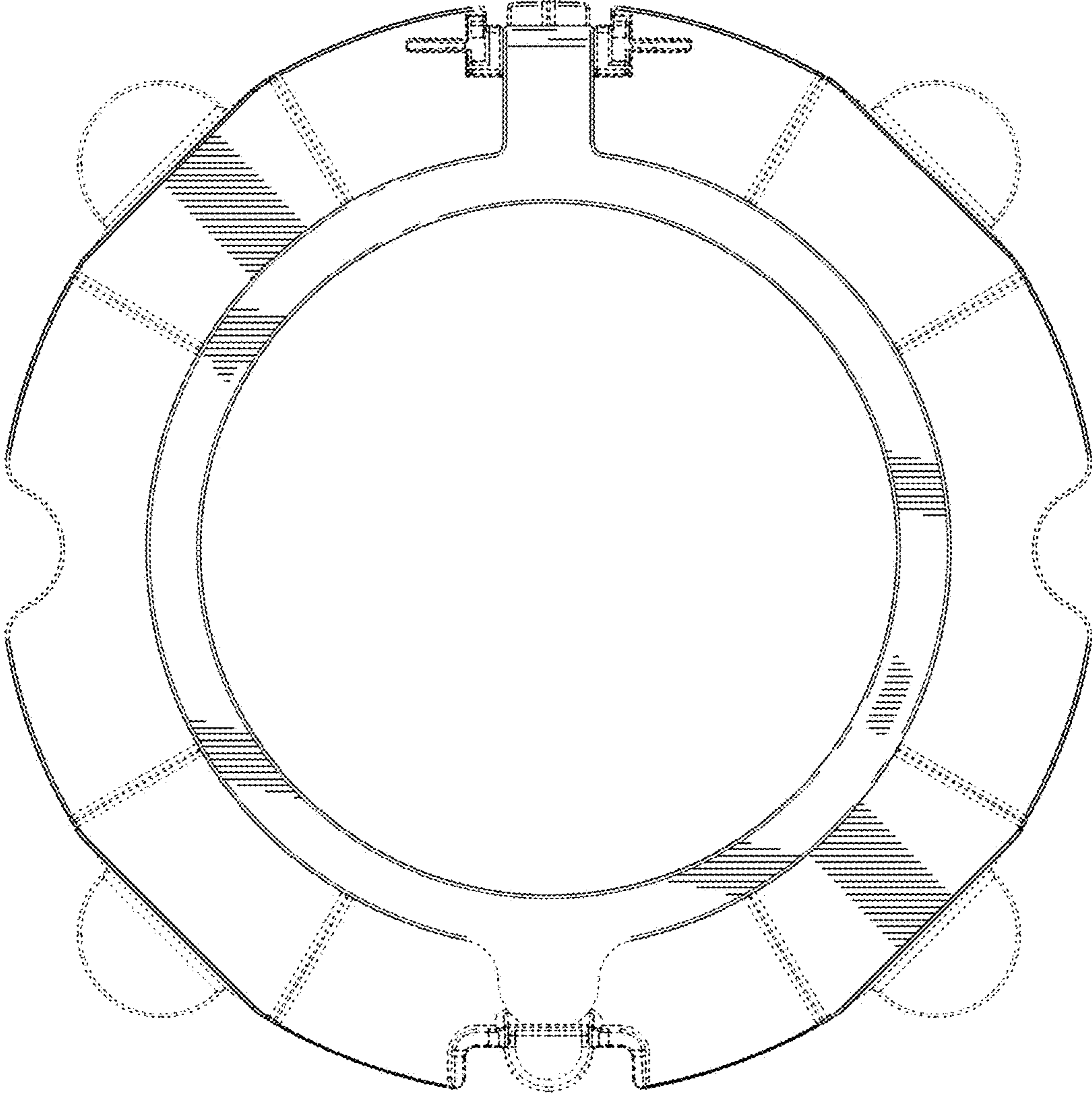


FIG. 3

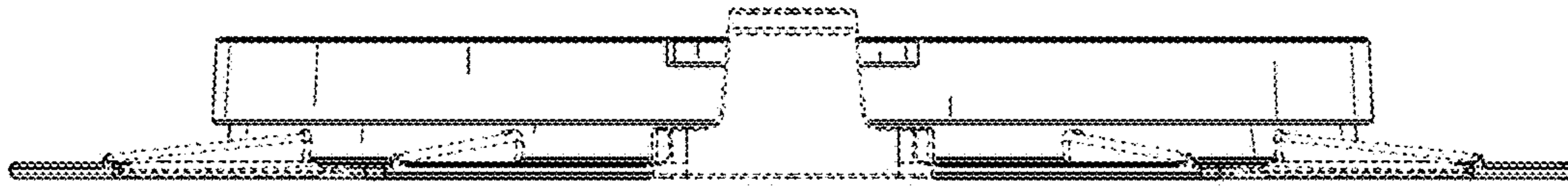


FIG. 4

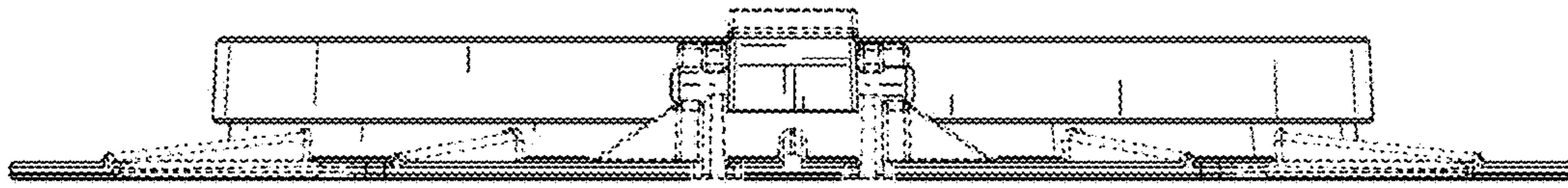


FIG. 5

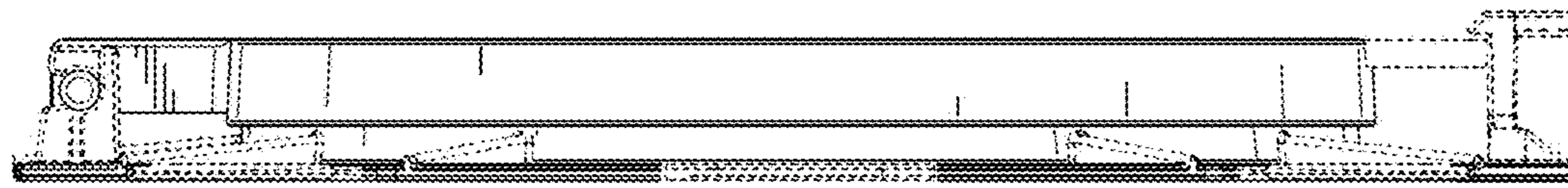


FIG. 6

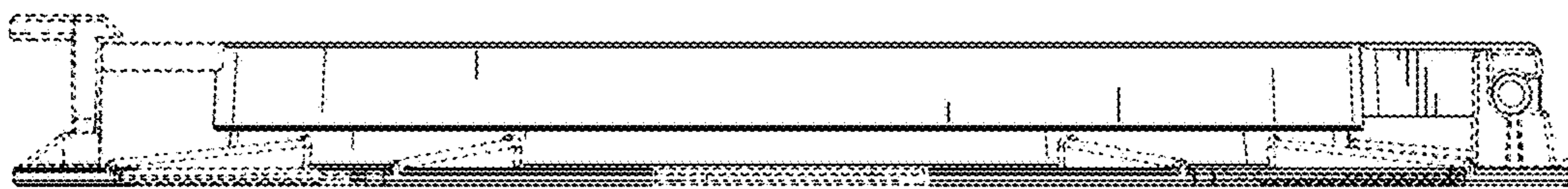


FIG. 7

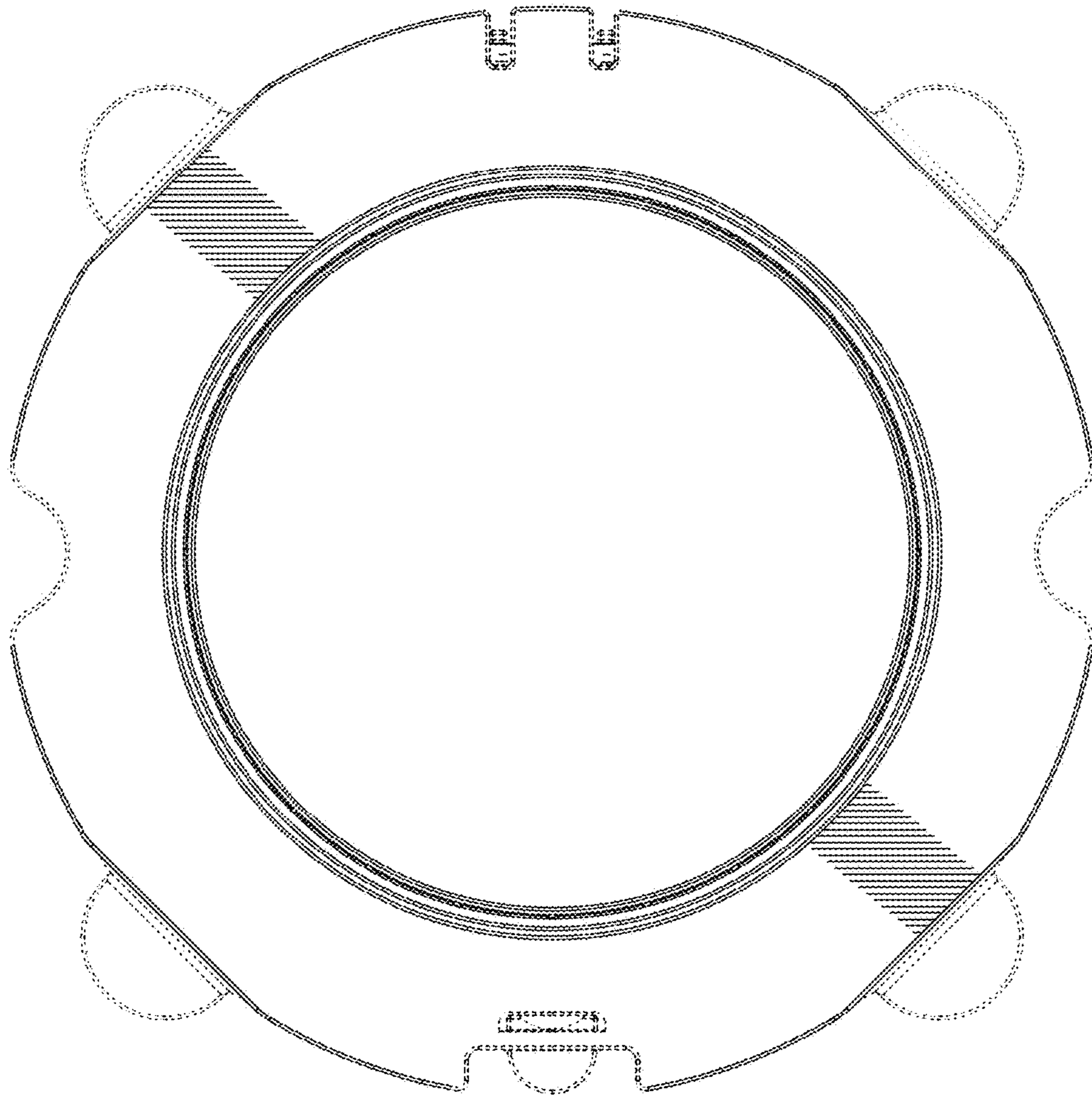


FIG. 8