



US00D777393S

(12) **United States Design Patent**
Vandenbroucke

(10) **Patent No.:** **US D777,393 S**

(45) **Date of Patent:** **** Jan. 24, 2017**

(54) **HANDLE FOR CLEANING DEVICE**

(71) Applicant: **WAAK BW V.Z.W.**, Kuurne (BE)

(72) Inventor: **Kris Vandenbroucke**,
Sint-Eloois-Winkel (BE)

(73) Assignee: **WAAK BW V.Z.W.**, Kuurne (BE)

(**) Term: **14 Years**

(21) Appl. No.: **29/506,287**

(22) Filed: **Oct. 14, 2014**

(30) **Foreign Application Priority Data**

Apr. 14, 2014 (EM) 002446732-0001

(51) **LOC (10) Cl.** **15-05**

(52) **U.S. Cl.**
USPC **D32/40**

(58) **Field of Classification Search**
USPC D32/35, 40, 49-53, 71-72; D6/582-4,
D6/595-596, 601-606; D8/10-14, 21, 62,
D8/75-77, 82-83, 105-106, 303

CPC A47L 13/12; A47L 13/16; A47L 13/20;
A47L 13/24; A47L 13/144; A47L 13/146;

B24D 13/045; B25B 23/16

See application file for complete search history.

(56) **References Cited**

U.S. PATENT DOCUMENTS

1,345,505 A * 7/1920 Persons B62K 21/26
473/300

D182,077 S * 2/1958 MacMinn D21/728

D258,861 S * 4/1981 Bratton D7/387

D267,467 S * 1/1983 Vosbikian D8/1

5,004,053 A * 4/1991 Martell A01D 11/06
172/375

D338,387 S * 8/1993 Smith, Sr. D10/114.1

D346,946 S * 5/1994 Berti D8/107

D352,800 S * 11/1994 Leung D21/401

D429,990 S * 8/2000 Kunkler D8/303

D449,909 S * 10/2001 Randolph D32/40

D480,283 S * 10/2003 Brown D8/14

D510,071 S * 9/2005 D'Addario D13/154

(Continued)

FOREIGN PATENT DOCUMENTS

DE 49907511-0001 * 2/2002

EM 002446798-0001 * 4/2014

KR 300691306.0000 * 5/2013

OTHER PUBLICATIONS

Mr Clean MagicReach | IDEO, project date 2005, online, <https://www.ideo.com/work/mr-clean-magicreach>, [site visited Apr. 26, 2016].*

(Continued)

Primary Examiner — John Windmuller

Assistant Examiner — John R Yeh

(74) *Attorney, Agent, or Firm* — Young & Thompson

(57) **CLAIM**

The ornamental design for a handle for cleaning device, as shown and described.

DESCRIPTION

FIG. 1 is a front, left side and top perspective view of a handle for cleaning device showing the new design;

FIG. 2 is a front elevation view thereof;

FIG. 3 is an enlarged front elevation view thereof;

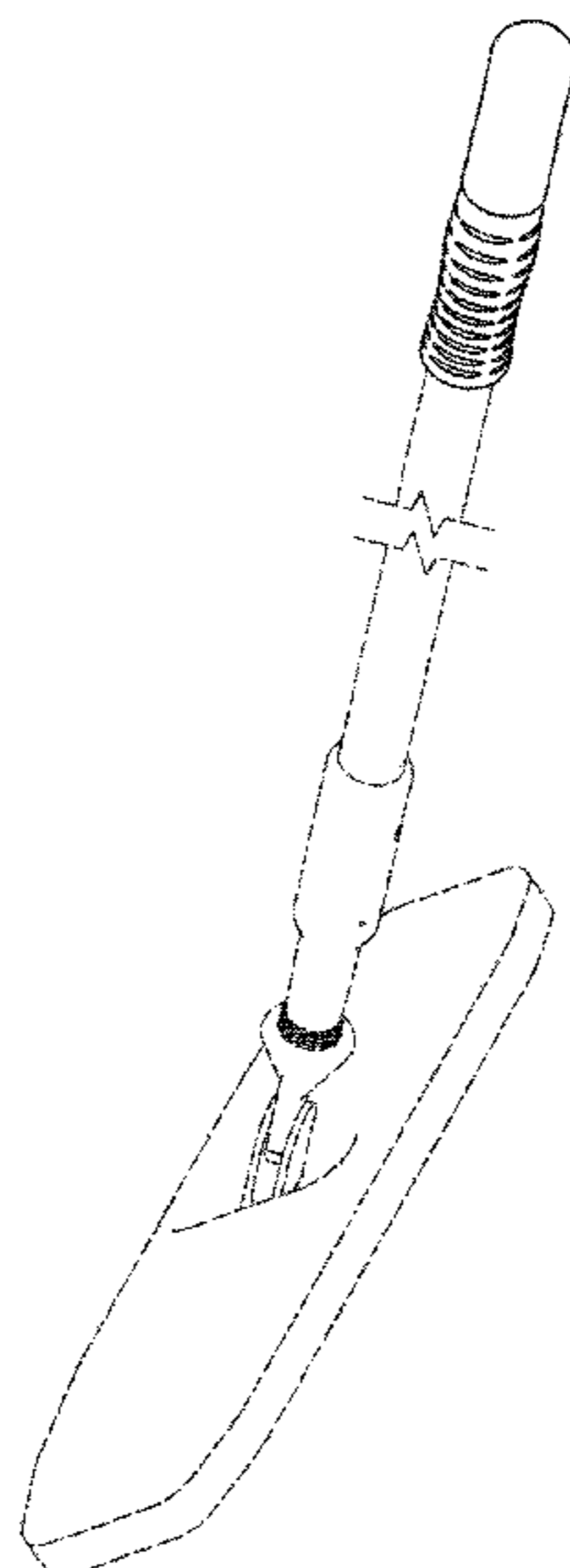
FIG. 4 is an enlarged top plan view thereof;

FIG. 5 is an enlarged bottom plan view thereof; and,

FIG. 6 is a front elevation view thereof in an alternate configuration.

The portions of the design shown in broken lines show unclaimed subject matter.

1 Claim, 5 Drawing Sheets



(56)

References Cited

U.S. PATENT DOCUMENTS

D548,911	S *	8/2007	Main	D32/38
D668,519	S *	10/2012	Berlencourt	D8/21
D679,941	S *	4/2013	Sigel	D7/395
D695,475	S *	12/2013	Schoen	D32/35
D745,818	S *	12/2015	Lin	D8/77
D750,223	S *	2/2016	Andino	D24/112
2008/0116188	A1 *	5/2008	Fukuda	B29C 45/14549 219/204
2009/0094769	A1 *	4/2009	Wilson	A46B 5/0075 15/144.1
2010/0218327	A1 *	9/2010	Chen	A47L 13/20 15/228
2011/0016652	A1 *	1/2011	Chu	A47L 13/255 15/228
2011/0154602	A1 *	6/2011	Chen	A47L 13/20 15/228

OTHER PUBLICATIONS

2015 Online Shopping India Cleaning Device Bucket Foot Pedal Swivel Handle, online, http://www.alibaba.com/product-detail/2015-online-shopping-india-cleaning-device_60228740041.html, site visited Apr. 26, 2016.*

* cited by examiner

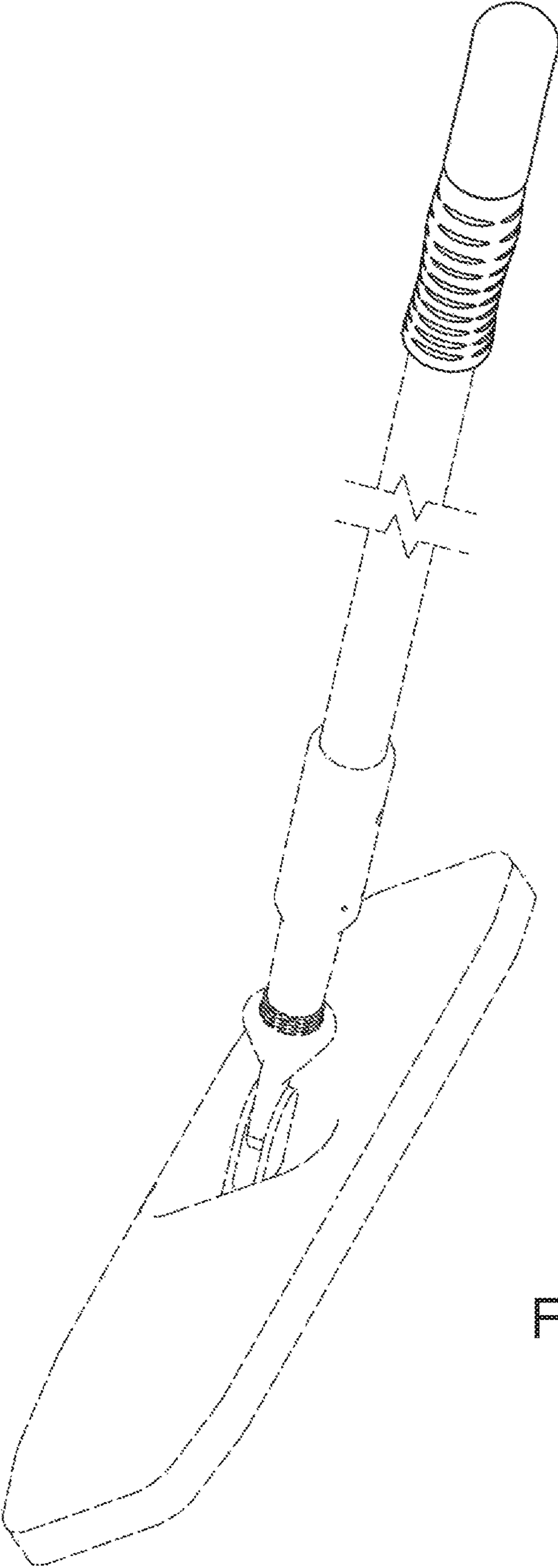


Fig. 1

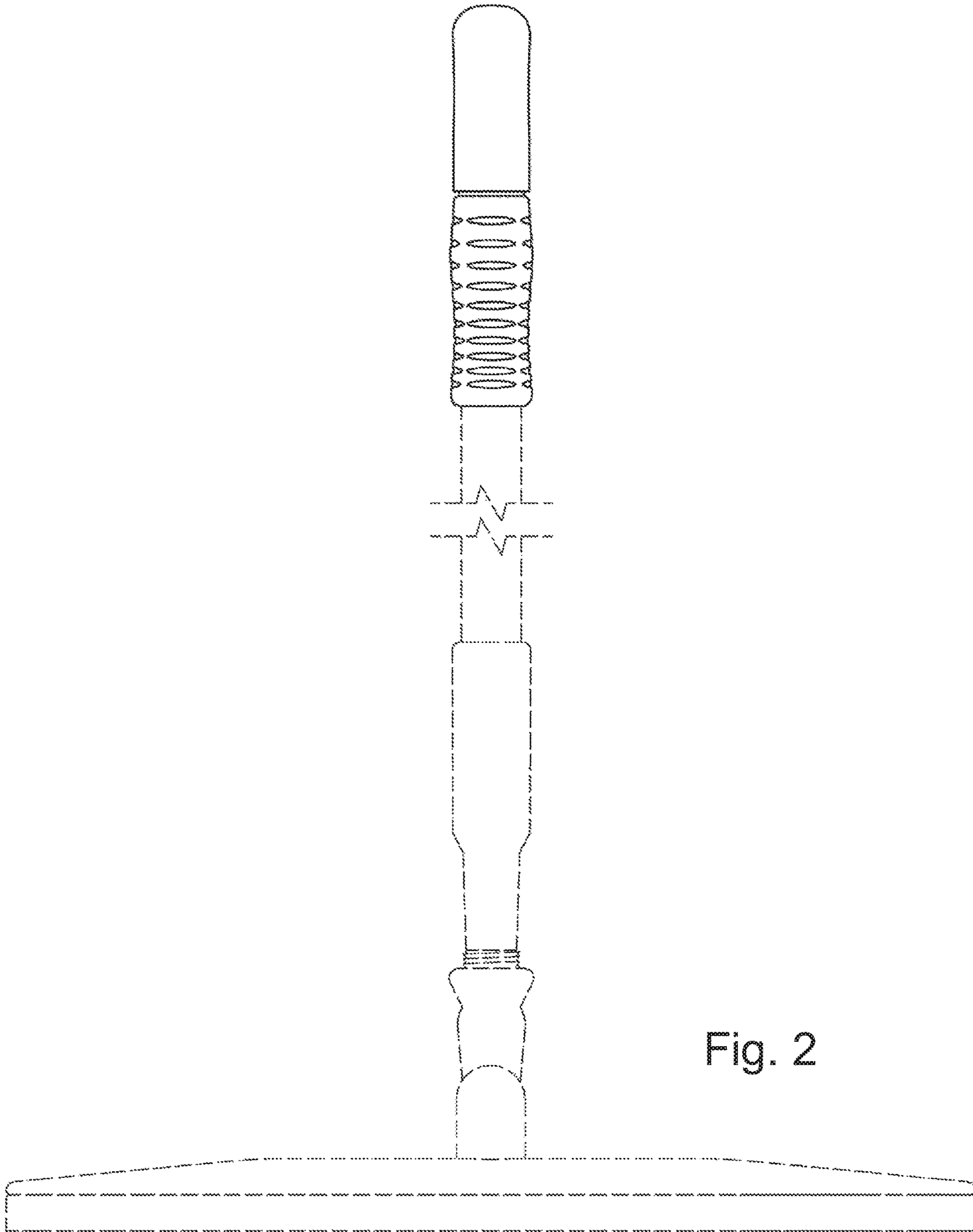


Fig. 2

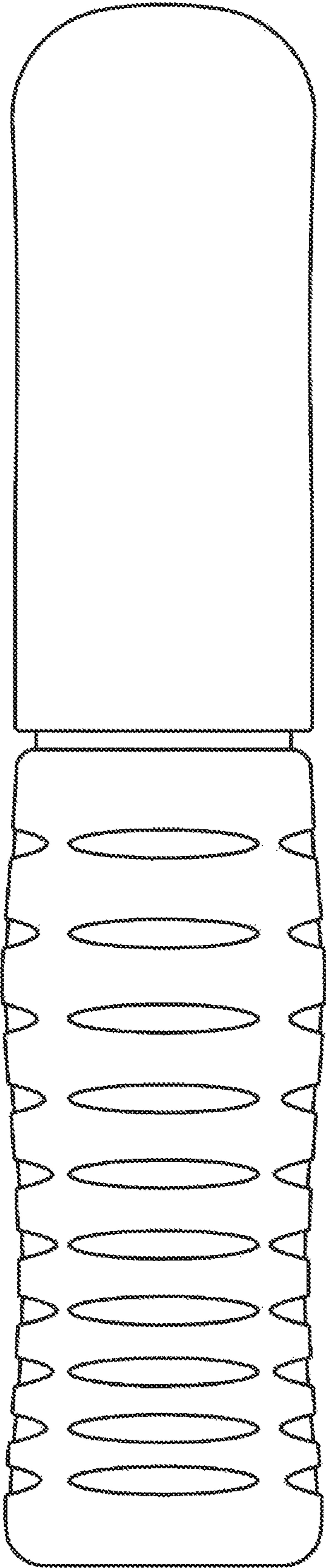


Fig. 3

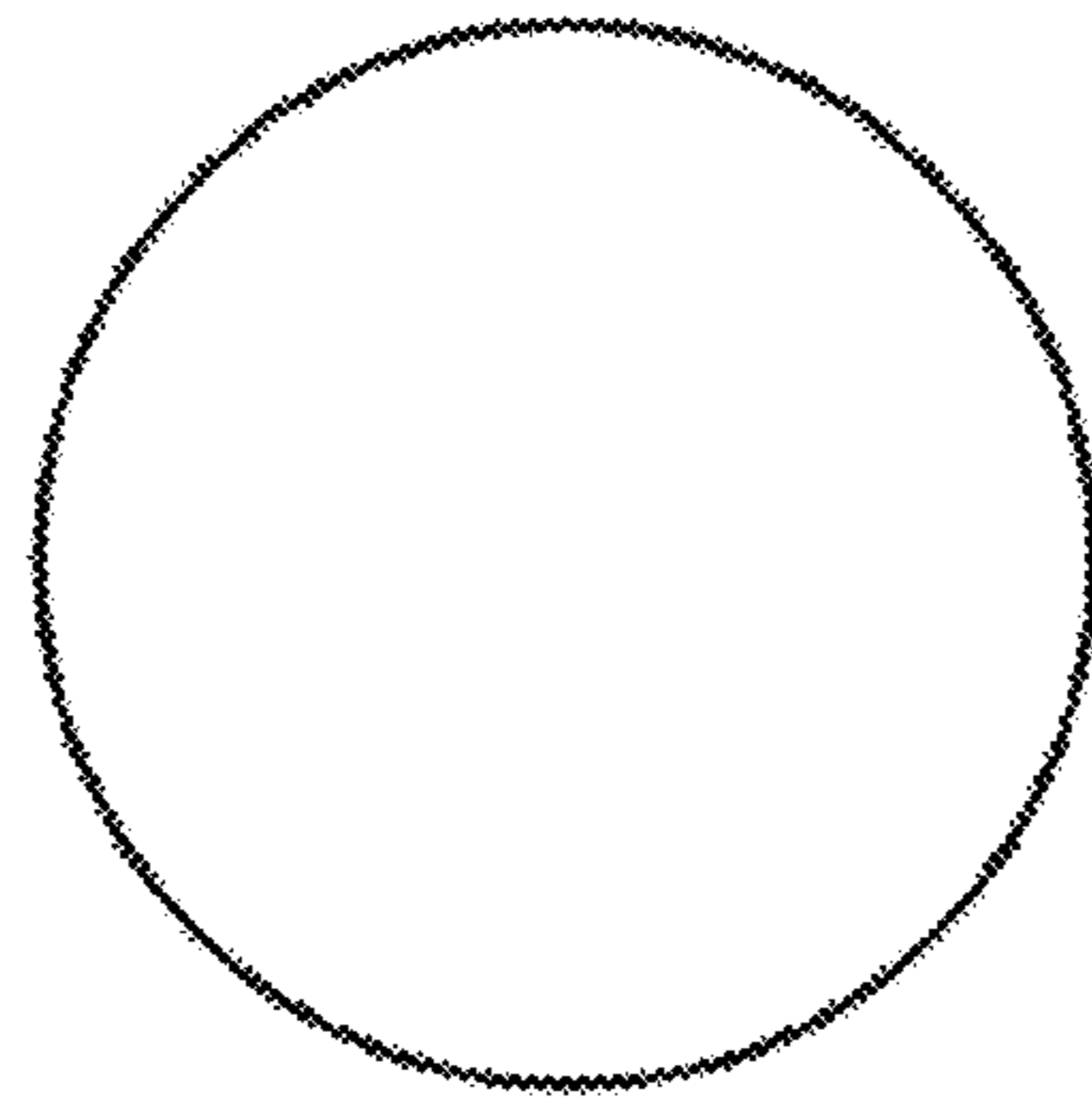


Fig. 4

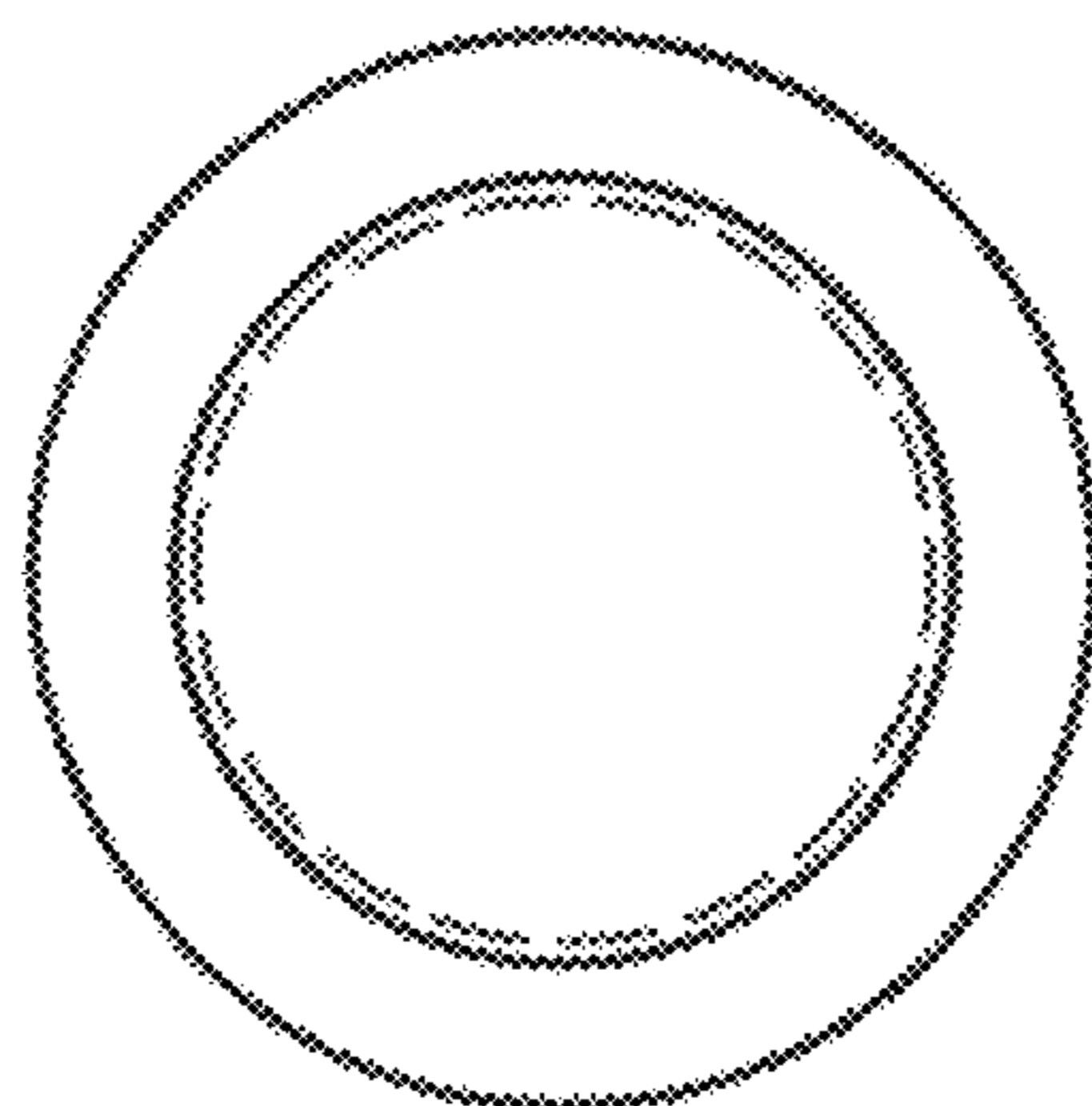


Fig. 5

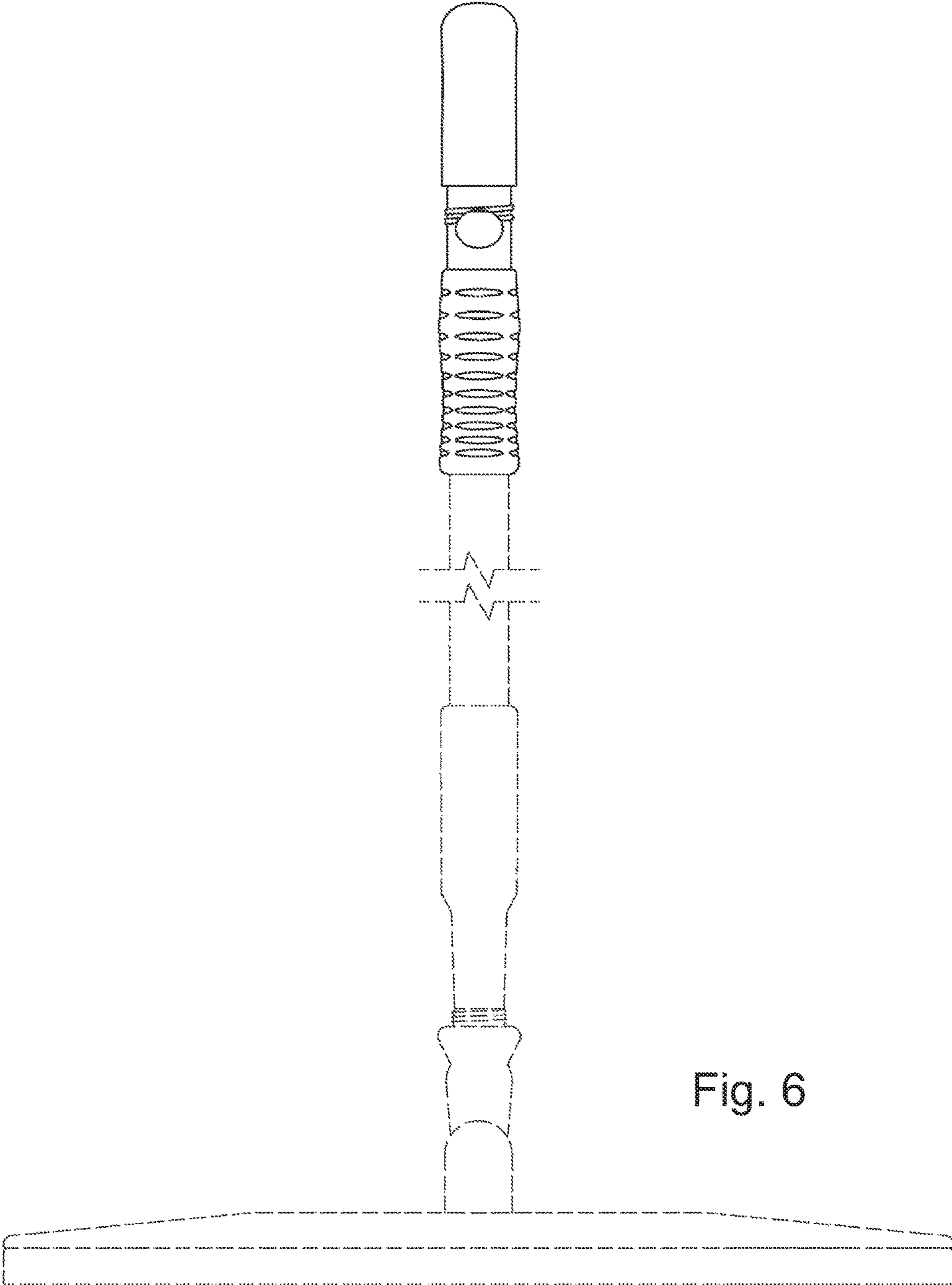


Fig. 6