



US00D777383S

(12) **United States Design Patent**  
**Carroll**

(10) **Patent No.:** **US D777,383 S**

(45) **Date of Patent:** **\*\* Jan. 24, 2017**

- (54) **HELMET MOUNT**
- (71) Applicant: **NITERIDER TECHNICAL LIGHTING & VIDEO SYSTEMS, INC., San Diego, CA (US)**
- (72) Inventor: **Thomas Edward Carroll, San Diego, CA (US)**
- (\*\*) Term: **14 Years**
- (21) Appl. No.: **29/516,302**
- (22) Filed: **Jan. 30, 2015**
- (51) **LOC (10) Cl.** ..... **29-02**
- (52) **U.S. Cl.**  
USPC ..... **D29/122**
- (58) **Field of Classification Search**  
USPC ..... D29/100, 102, 104, 105, 106, 107, 108, D29/109, 110, 122  
CPC ..... A42B 1/066; A42B 1/00; A42B 1/06; A42B 3/228; A42B 3/00; A42B 3/08; A42B 3/32; A42B 3/222; A42B 3/20; A42B 3/227; A42B 3/105; A42B 3/04; A42B 3/06; A42B 3/0406; A42B 3/18; A42B 3/166; A42B 3/16; A42B 3/22; A42B 3/0473; A42B 3/127; A63B 71/10; A63B 71/105; A41D 13/0512  
See application file for complete search history.

- 8,239,971 B2 \* 8/2012 Prendergast ..... G02B 23/125 2/422
- 8,245,326 B1 \* 8/2012 Tolve ..... A42B 3/306 2/209.13
- 8,348,449 B2 \* 1/2013 McCorkle ..... A42B 3/044 362/106
- D675,789 S \* 2/2013 Wanhainen ..... D29/122
- D715,860 S \* 10/2014 Costas ..... D19/86

(Continued)

*Primary Examiner* — Randall Gholson  
(74) *Attorney, Agent, or Firm* — Russo & Duckworth, LLP; David G. Duckworth

(57) **CLAIM**

The ornamental design for a helmet mount, as shown and described.

**DESCRIPTION**

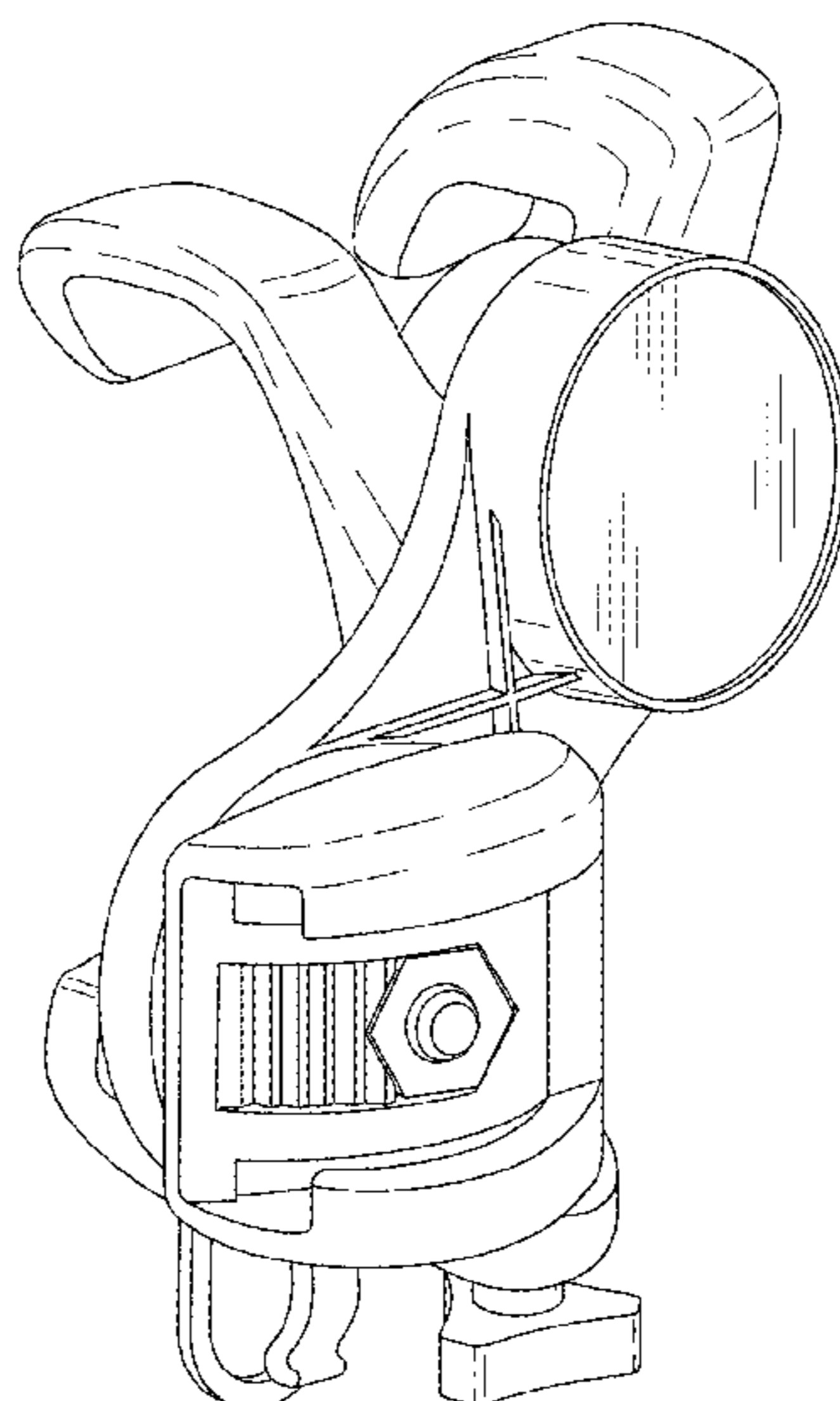
FIG. 1 is a rear, right, perspective view of the helmet mount of my design;  
 FIG. 2 is a front, left, perspective view thereof;  
 FIG. 3 is a right elevation view thereof;  
 FIG. 4 is left elevation view thereof;  
 FIG. 5 is a front elevation view thereof;  
 FIG. 6 is a rear elevation view thereof;  
 FIG. 7 is a top plan view thereof;  
 FIG. 8 is a bottom plan view thereof;  
 FIG. 9 is a rear right perspective view thereof illustrating the helmet mount affixed to a light source;  
 FIG. 10 is a right elevation view thereof illustrating the helmet mount affixed to a light source; and,  
 FIG. 11 is a top plan view thereof illustrating the helmet mount affixed to a light source and illustrating the helmet mount capable of adjusting an item affixed to the helmet mount.  
 The broken lines shown represent unclaimed subject matter and form no part of the claimed design.

(56) **References Cited**

**U.S. PATENT DOCUMENTS**

- 6,938,276 B1 \* 9/2005 Prendergast ..... A42B 3/04 2/422
- 6,986,162 B2 \* 1/2006 Soto ..... G02B 7/002 2/422
- 7,156,536 B1 \* 1/2007 McCorkle ..... A42B 3/04 224/181
- D616,156 S \* 5/2010 Bugno ..... D29/122
- 7,963,426 B2 \* 6/2011 Gruebel ..... H01R 13/73 2/422

**1 Claim, 9 Drawing Sheets**



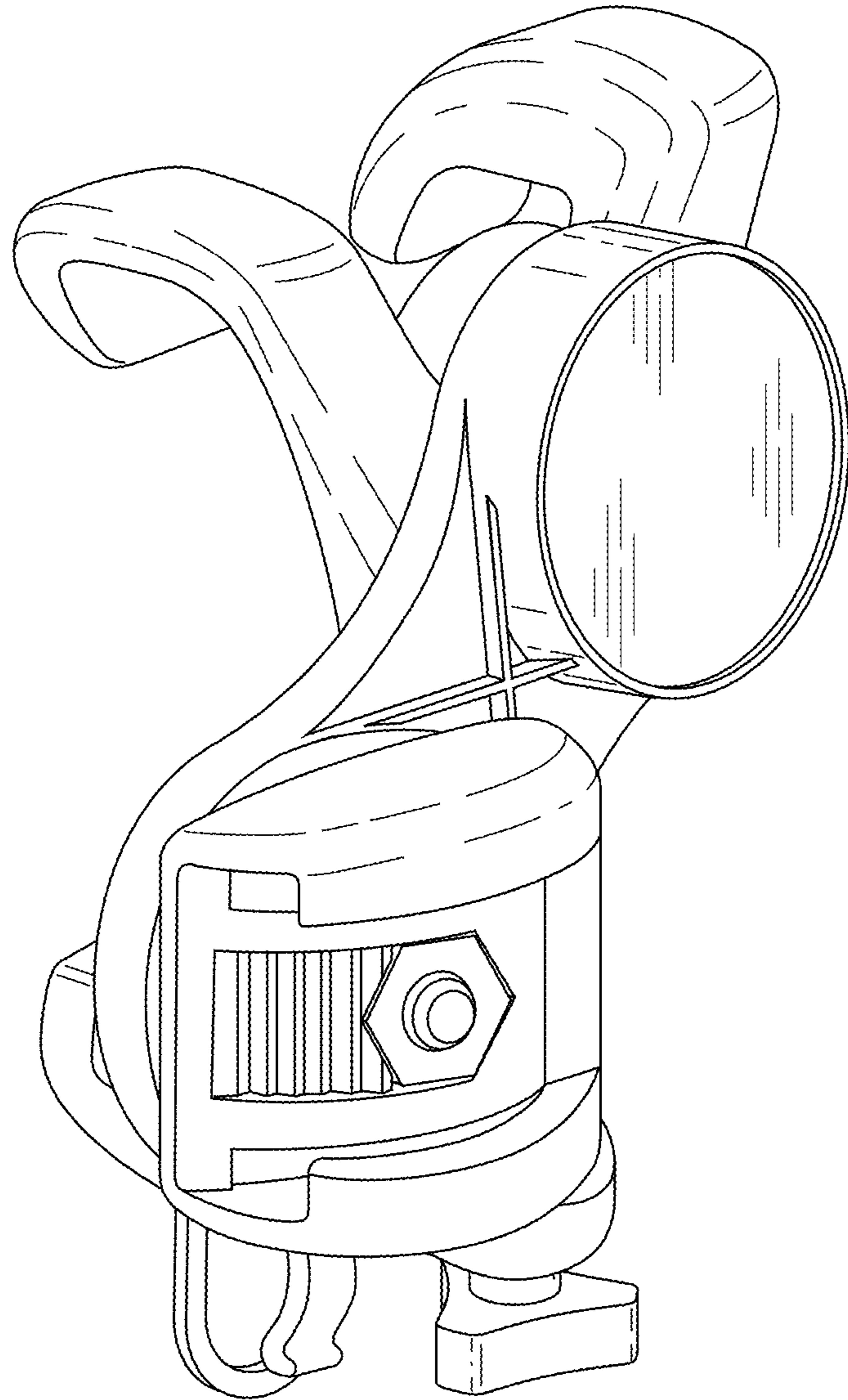
(56)

**References Cited**

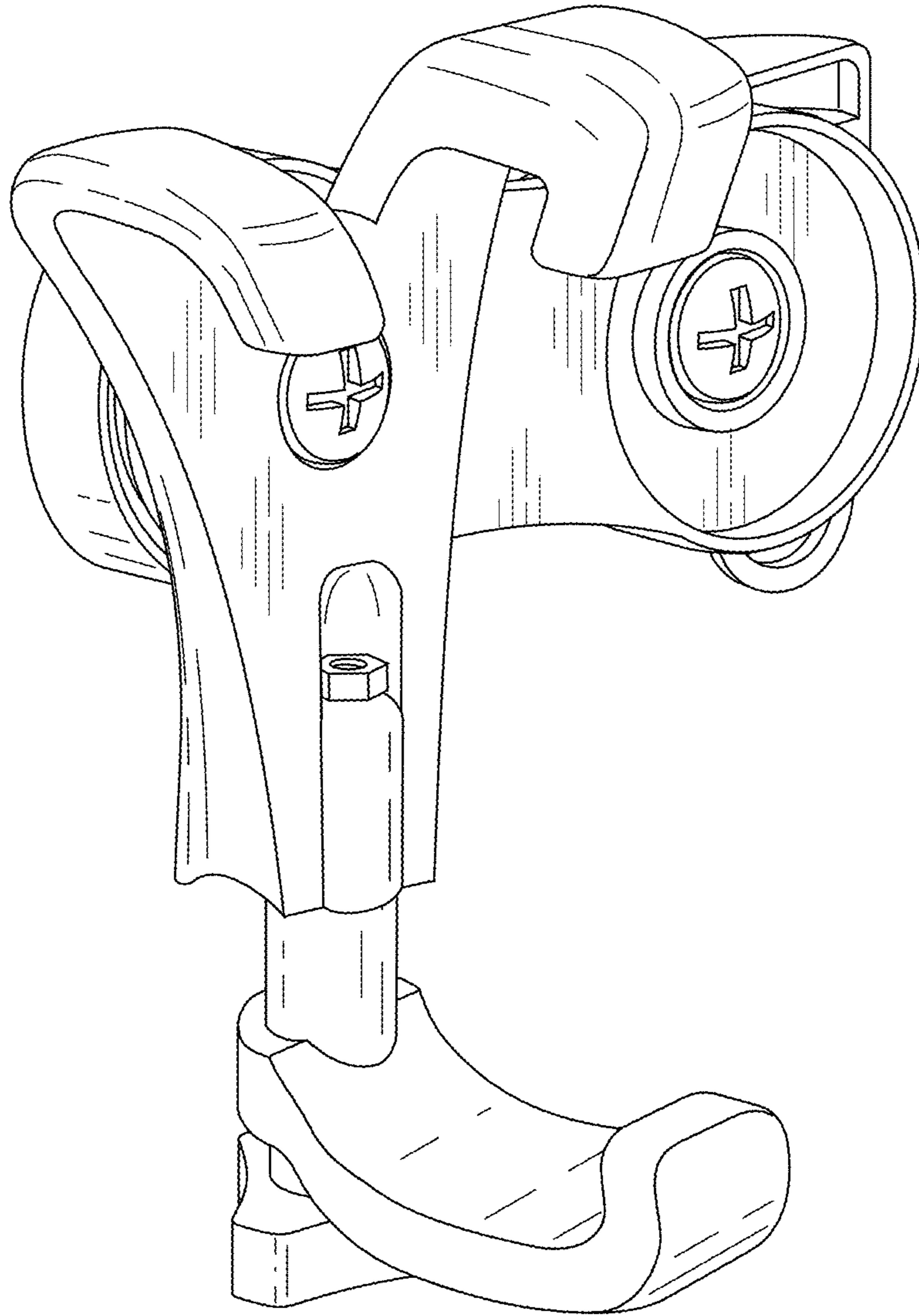
U.S. PATENT DOCUMENTS

D721,457 S \* 1/2015 Milea ..... D29/122  
D741,554 S \* 10/2015 Moreau ..... D29/122

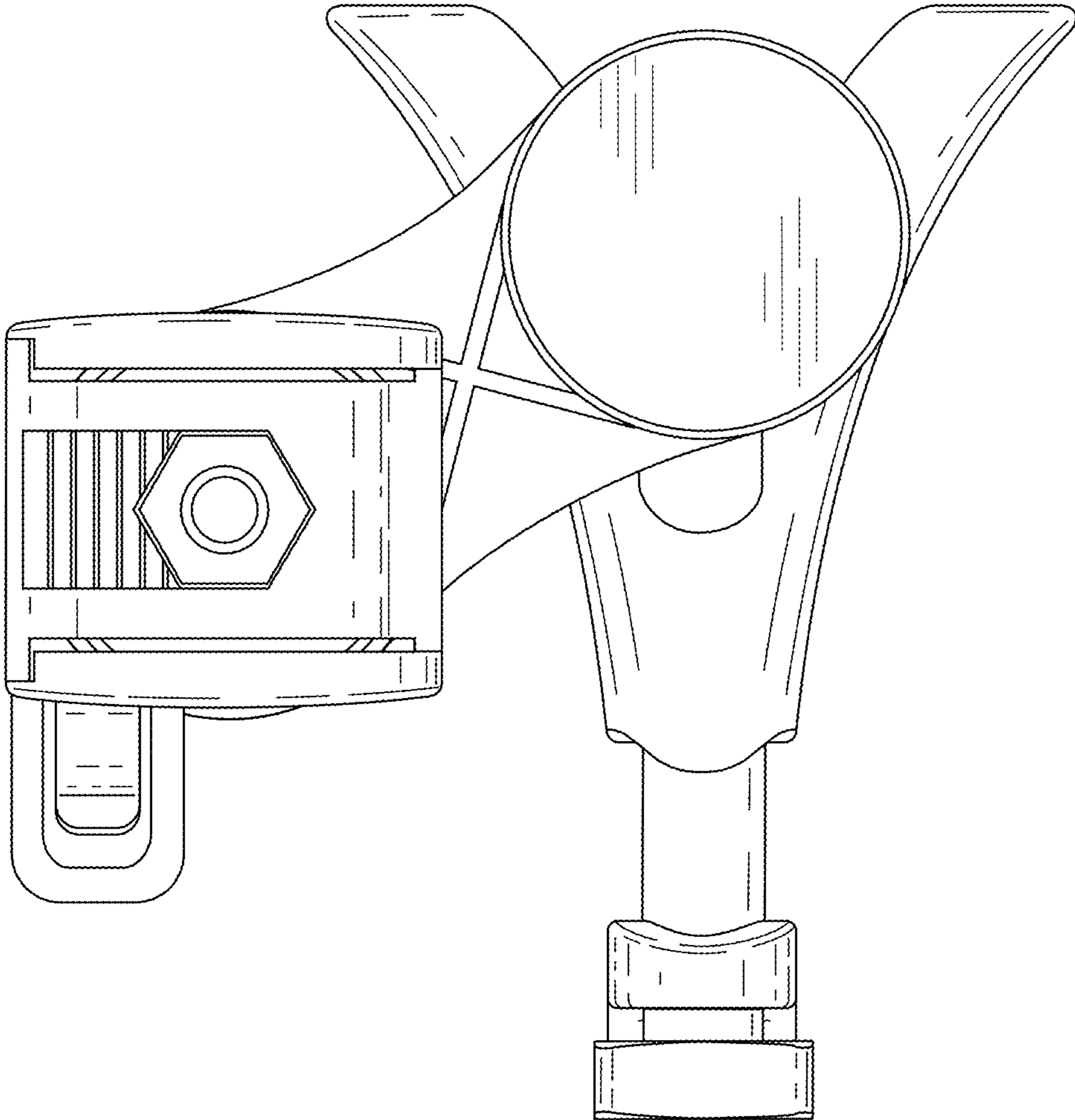
\* cited by examiner



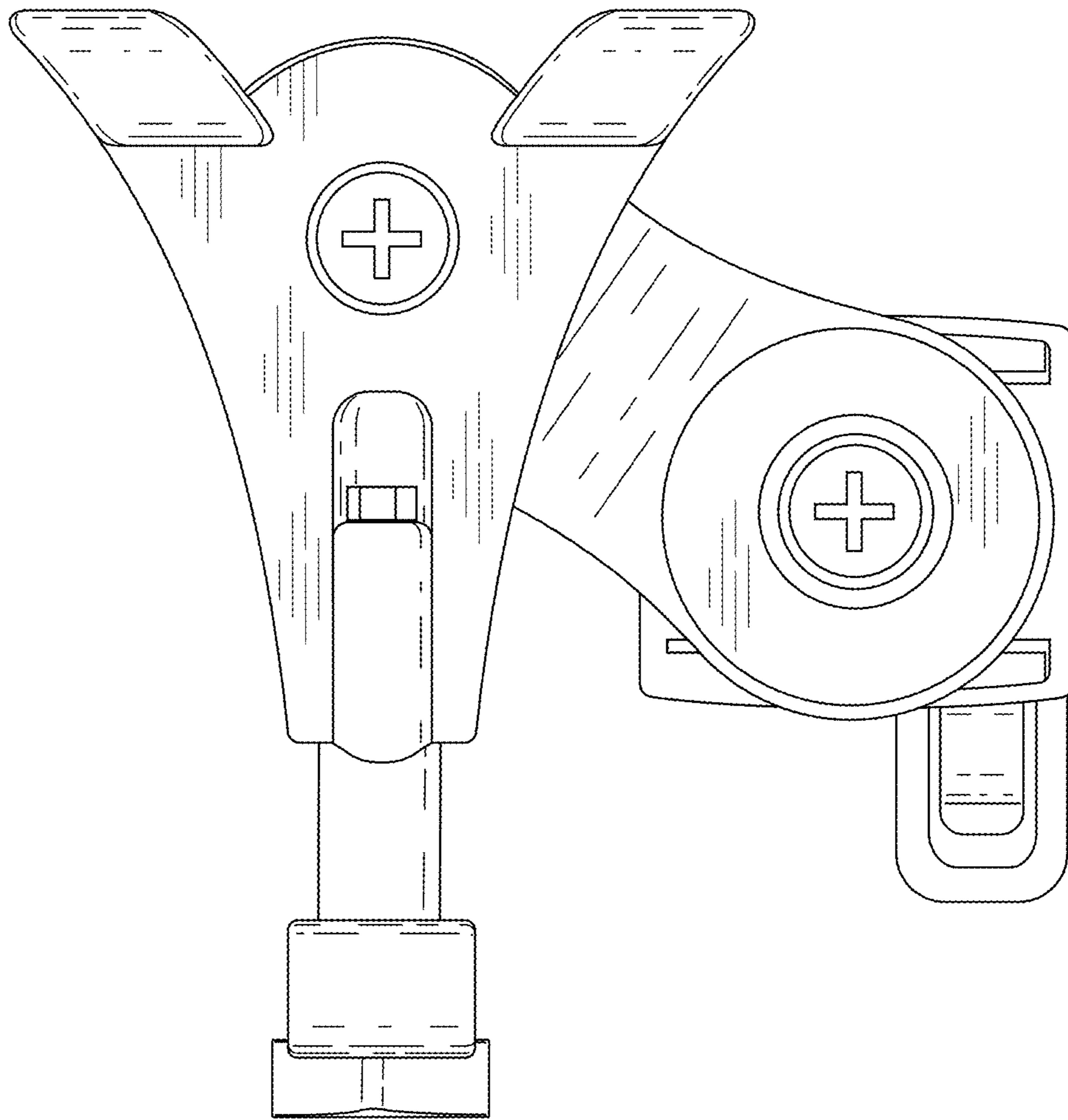
*Fig. 1*



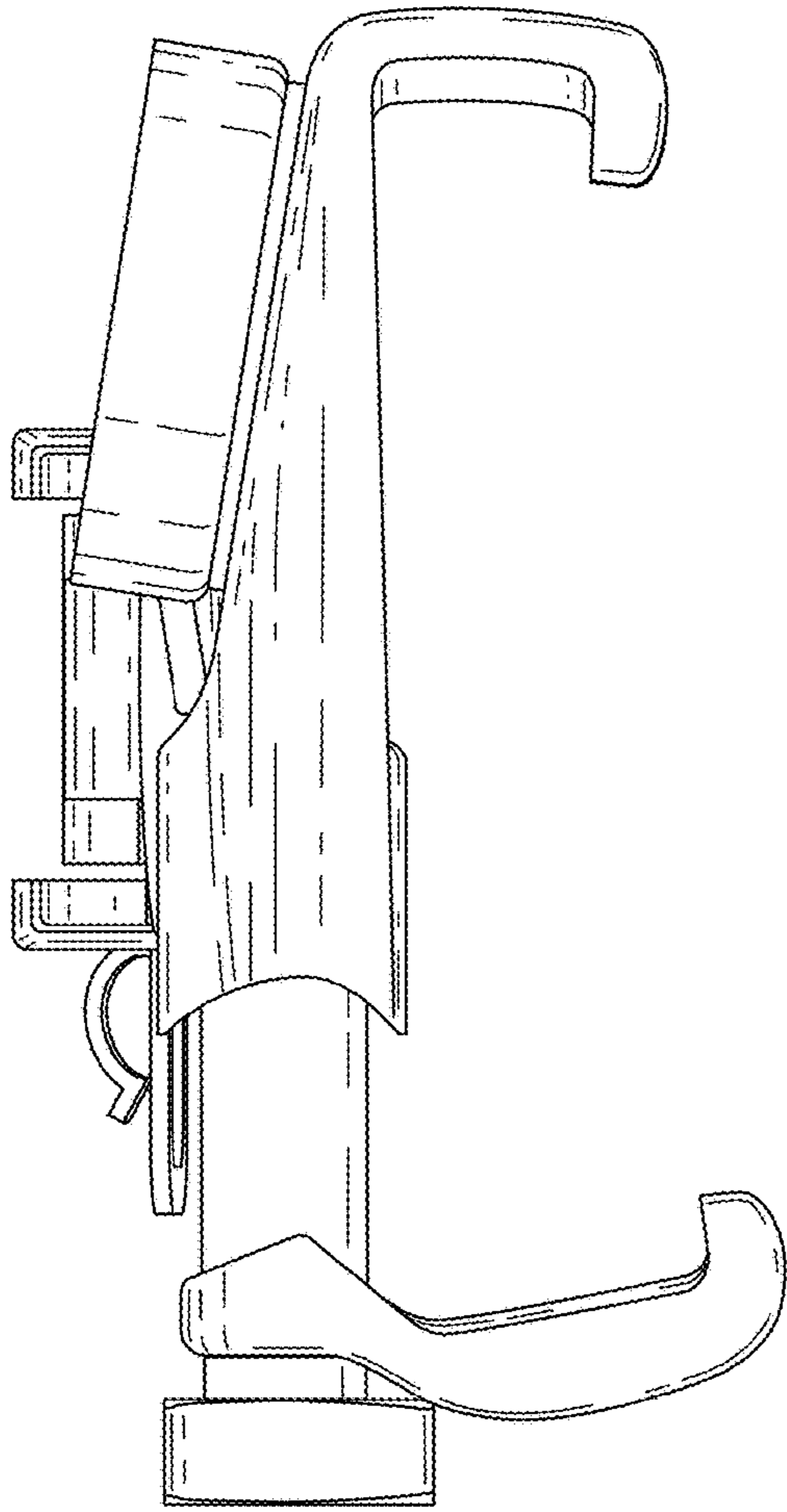
*Fig. 2*



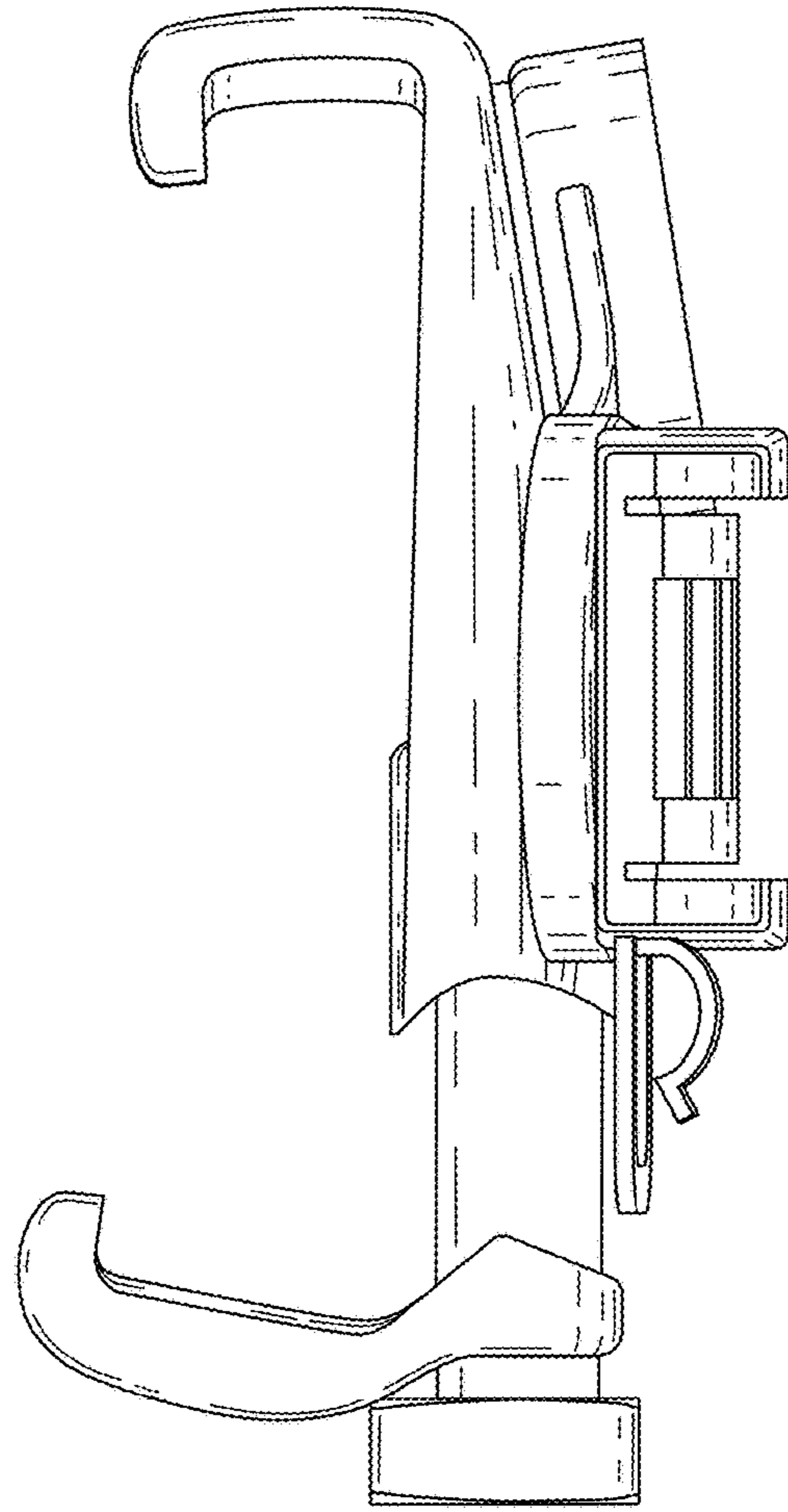
*Fig. 3*



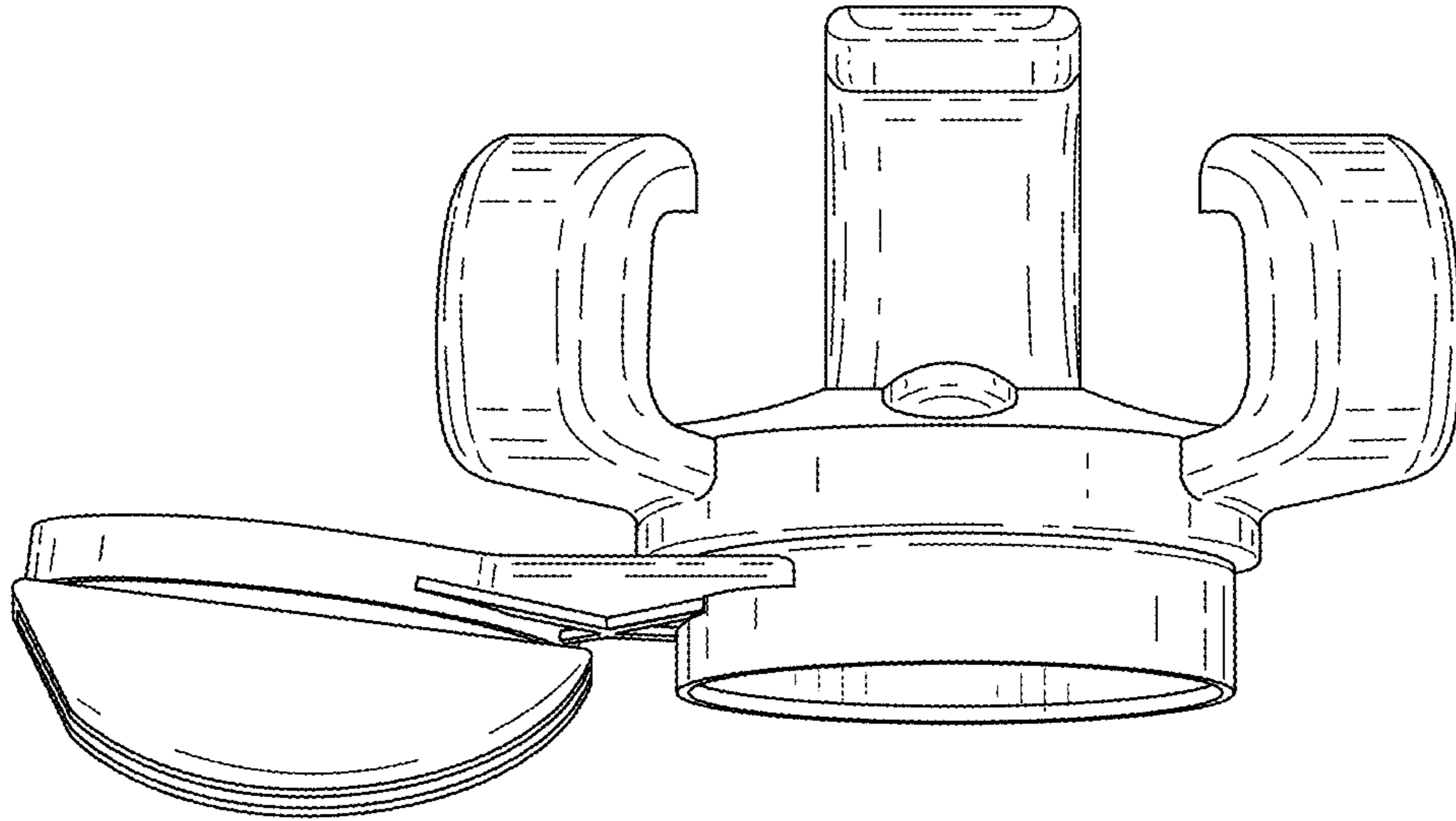
*Fig. 4*



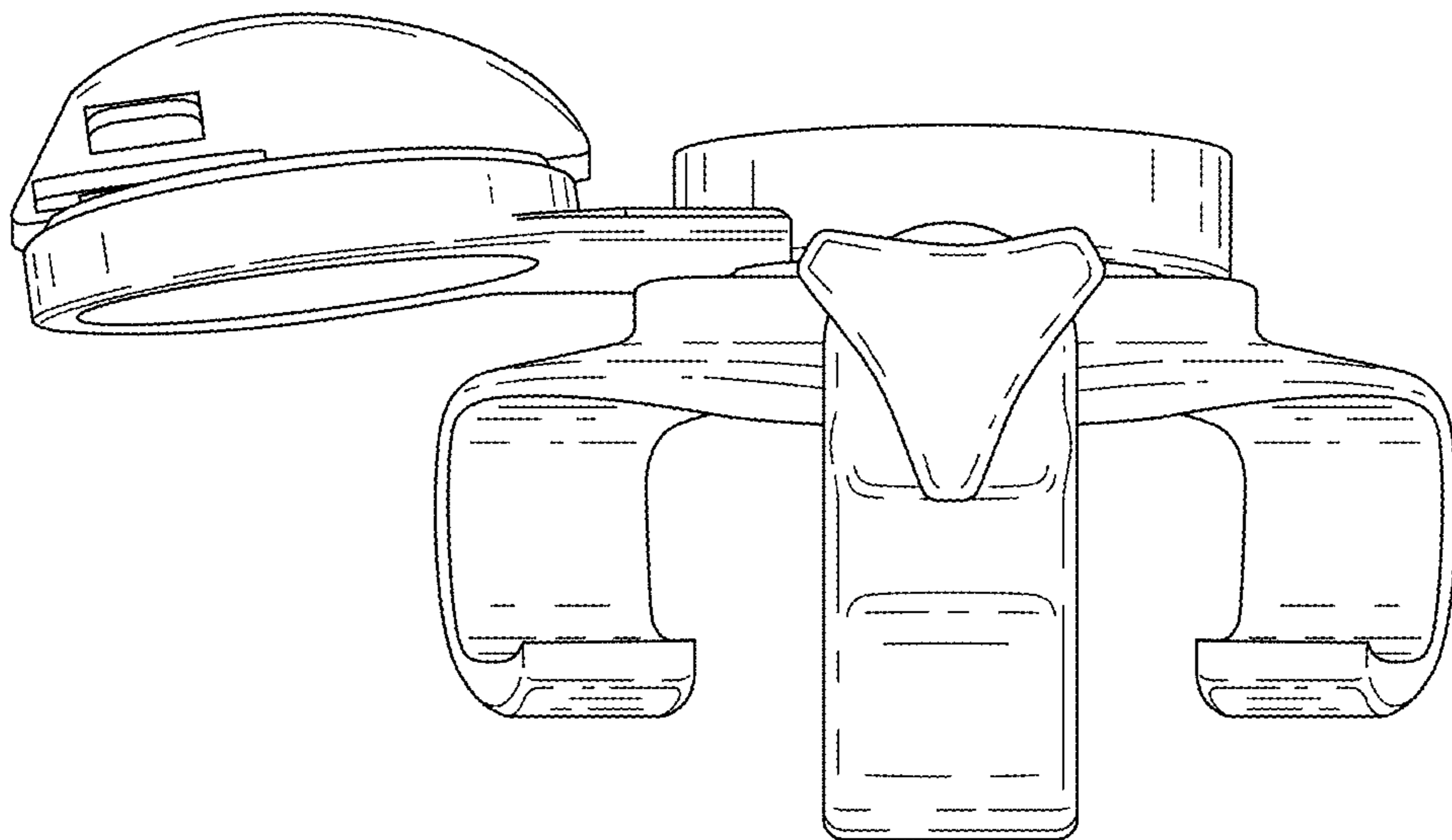
*Fig. 5*



*Fig. 6*

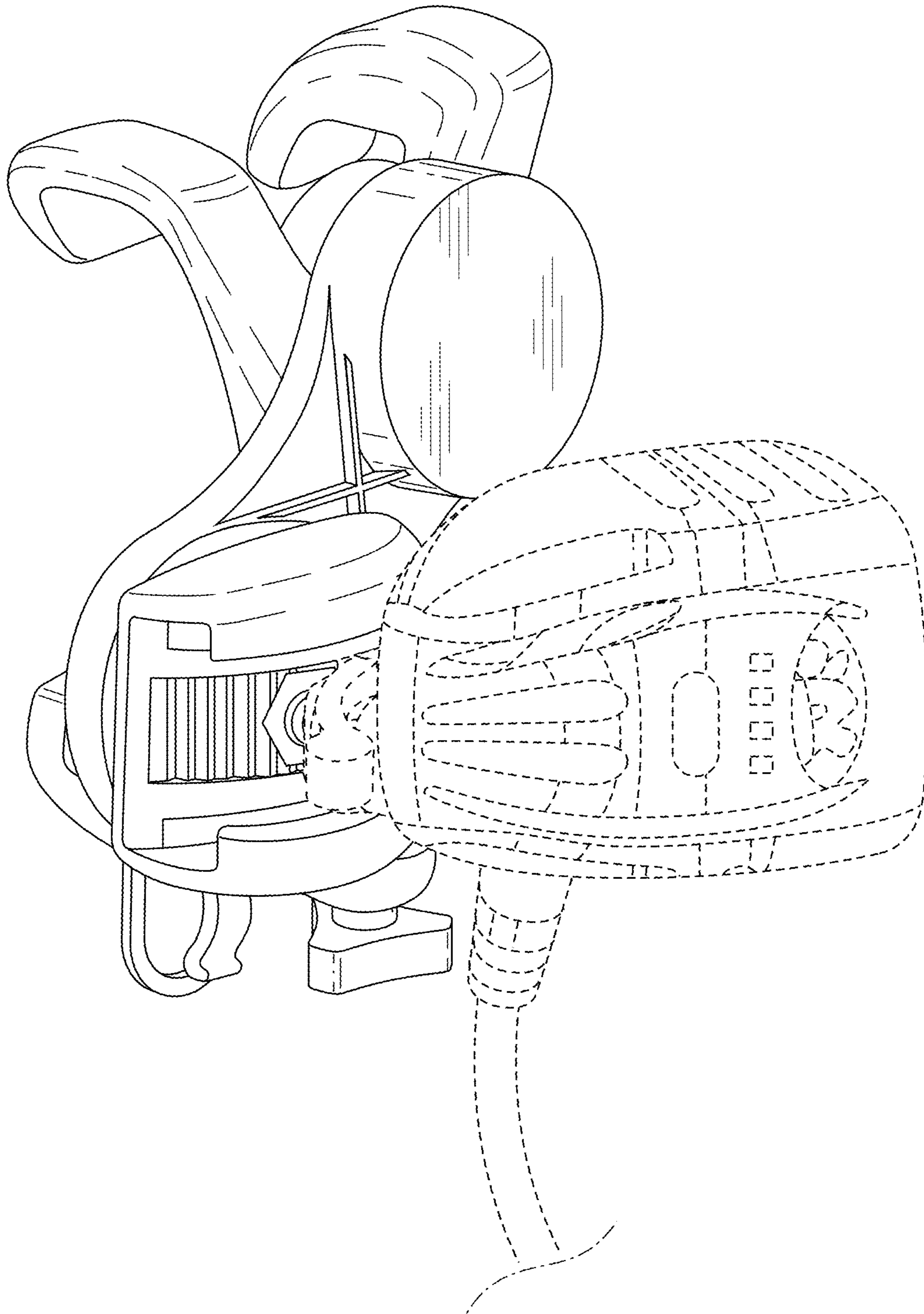


*Fig. 7*



*Fig. 8*





*Fig. 9*

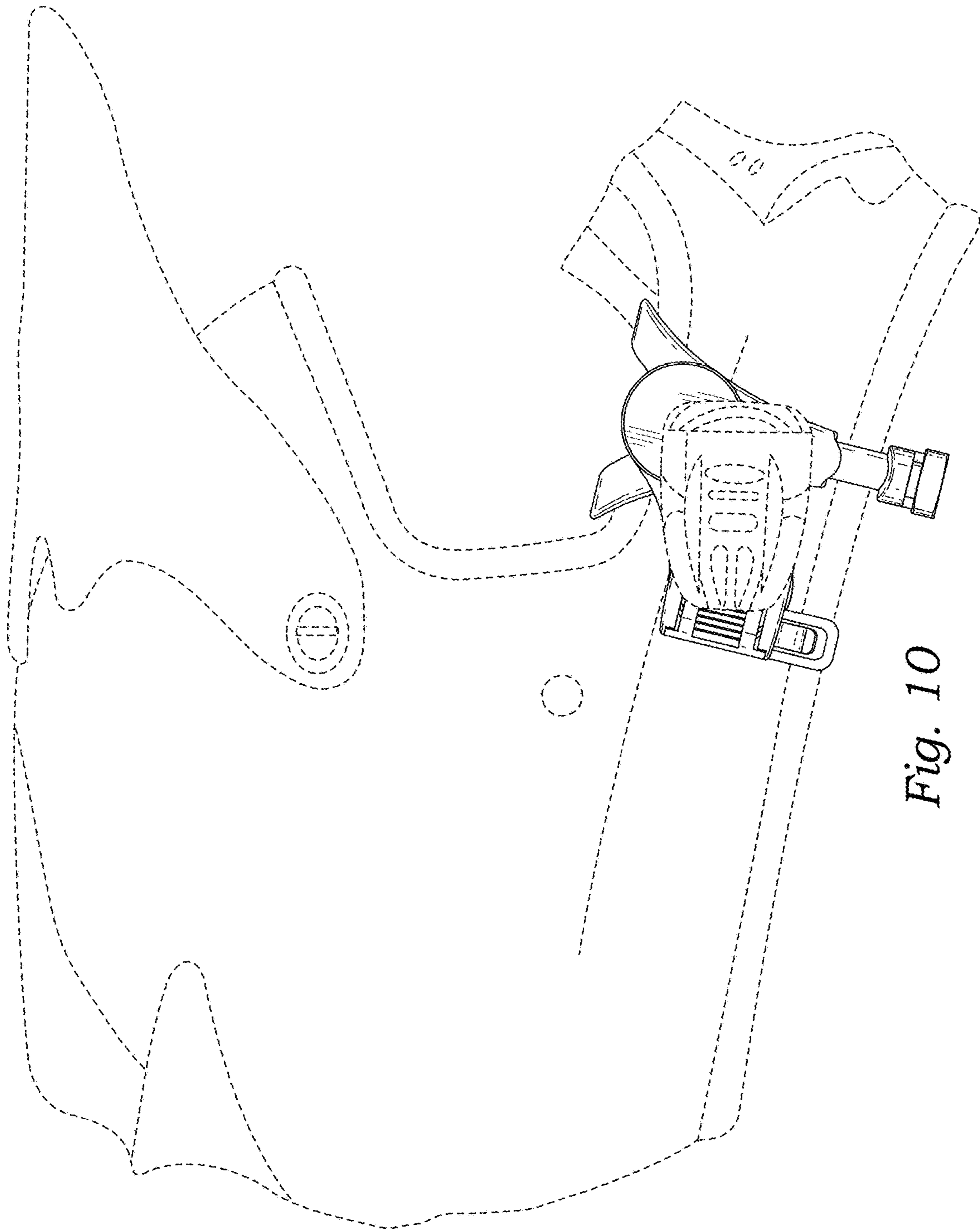
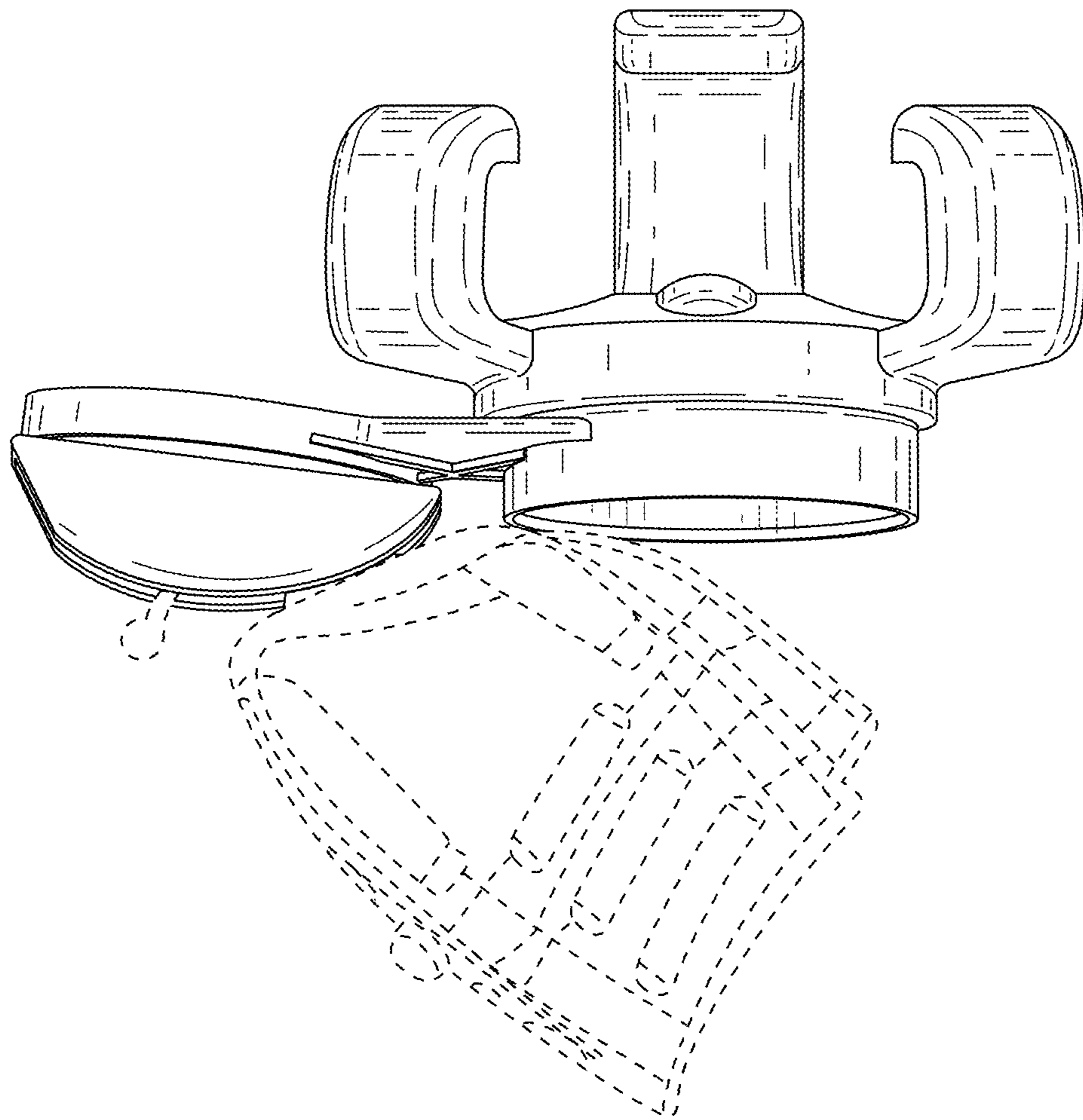


Fig. 10



*Fig. 11*