



US00D777371S

(12) **United States Design Patent**  
**Yang**

(10) **Patent No.:** **US D777,371 S**  
(45) **Date of Patent:** **\*\* Jan. 24, 2017**

- (54) **LAMP POST OF A LAMP**
- (71) Applicant: **Jianqiao Yang**, Toronto (CA)
- (72) Inventor: **Jianqiao Yang**, Toronto (CA)
- (73) Assignee: **Jianqiao Yang**, Toronto (CA)
- (\*\*) Term: **14 Years**
- (21) Appl. No.: **29/504,679**
- (22) Filed: **Oct. 8, 2014**

(30) **Foreign Application Priority Data**

Apr. 29, 2014 (CN) ..... 2014 3 0111165

(51) **LOC (10) Cl.** ..... **26-99**

(52) **U.S. Cl.**  
USPC ..... **D26/142**

(58) **Field of Classification Search**  
USPC ..... D26/76, 78, 79, 80, 81, 82, 83, 85, 88,  
D26/90, 93, 110, 118, 119, 120, 121, 122,  
D26/138, 140-142  
CPC ..... F21S 4/00; F21S 4/003; F21S 4/006;  
F21S 4/007; F21S 4/008; F21S  
6/004; F21S 6/005; F21K 9/54; F21V  
15/01; F21V 15/013

See application file for complete search history.

(56) **References Cited**

**U.S. PATENT DOCUMENTS**

- D282,290 S \* 1/1986 Scarpa ..... D26/106
- D377,229 S \* 1/1997 Shalvi ..... D26/104
- D422,741 S \* 4/2000 Dolan ..... D26/107
- D485,004 S \* 1/2004 Olson ..... D26/104
- D507,374 S \* 7/2005 Chen ..... D26/104
- D589,646 S \* 3/2009 Sabernig ..... D26/110
- D606,236 S \* 12/2009 Sabernig ..... D26/93
- D625,039 S \* 10/2010 Citterio ..... D26/93
- D643,143 S \* 8/2011 Sabernig ..... D26/93
- D646,837 S \* 10/2011 Yu ..... D26/104

- D664,283 S \* 7/2012 Sofield ..... D26/93
- D718,896 S \* 12/2014 Foley ..... D26/110
- D757,989 S \* 5/2016 Maier ..... D26/110

\* cited by examiner

*Primary Examiner* — George D Kirschbaum

*Assistant Examiner* — Natasha Vujcic

(57) **CLAIM**

The ornamental design for a lamp post of a lamp, as shown and described.

**DESCRIPTION**

FIG. 1 is a top and front perspective view of a lamp having a lamp post showing my new design;  
FIG. 2 is a front elevation view thereof;  
FIG. 3 is a top plan view thereof;  
FIG. 4 is a top and front perspective view of the lamp post in the lamp of FIG. 1, shown without the lamp shade and the lamp base for clarity of disclosure;  
FIG. 5 is a bottom and front perspective view thereof;  
FIG. 6 is a front elevation view thereof;  
FIG. 7 is a top plan view thereof; and,  
FIG. 8 is a bottom plan view thereof.

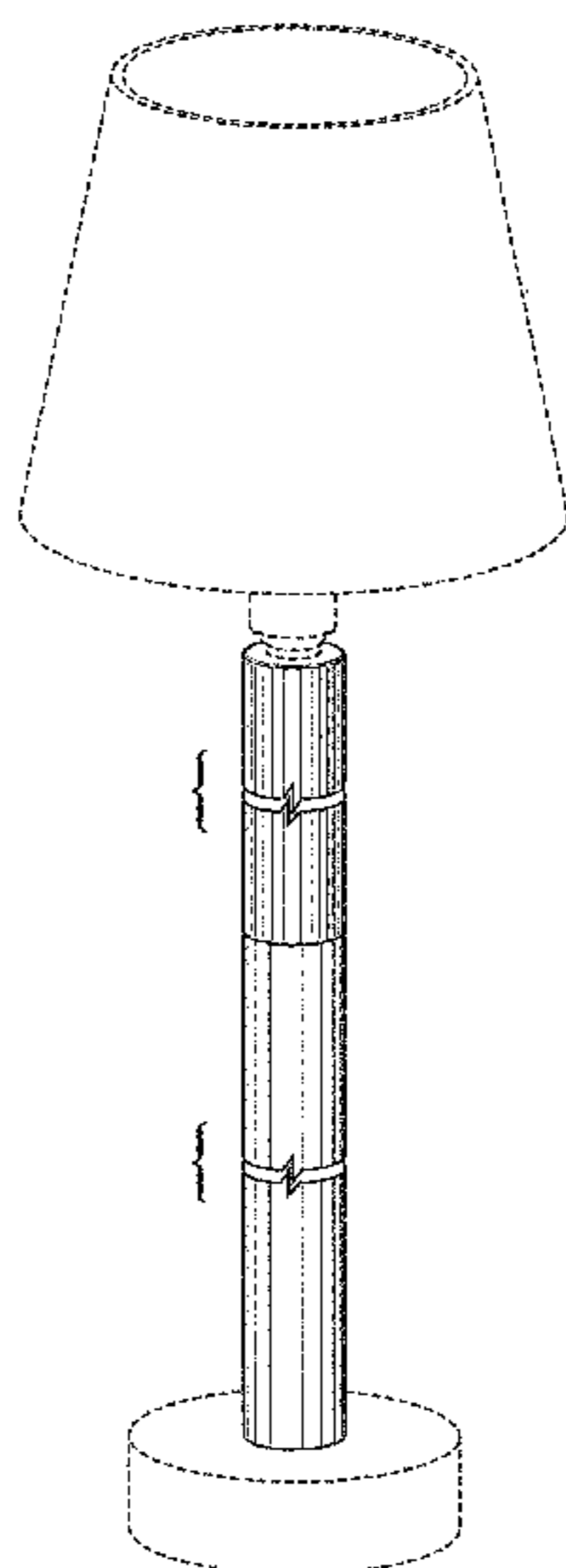
The undisclosed side views and rear view of the lamp post are identical to the front view shown in FIGS. 2 and 6. The undisclosed bottom view of the lamp does not show any feature of the claimed Design.

The broken lines in the drawings illustrate portions of the lamp post of a lamp which forms no part of the claimed design.

The shading lines shown in the views represent the approximate three-dimensional surface contour of the claimed design, and the different shading patterns in the upper and lower portions of the lamp post are intended to represent contrasting colors.

The break lines in the drawings indicate that the appearance of any portion of the lamp post of a lamp between the break lines forms no part of the claimed design.

**1 Claim, 4 Drawing Sheets**



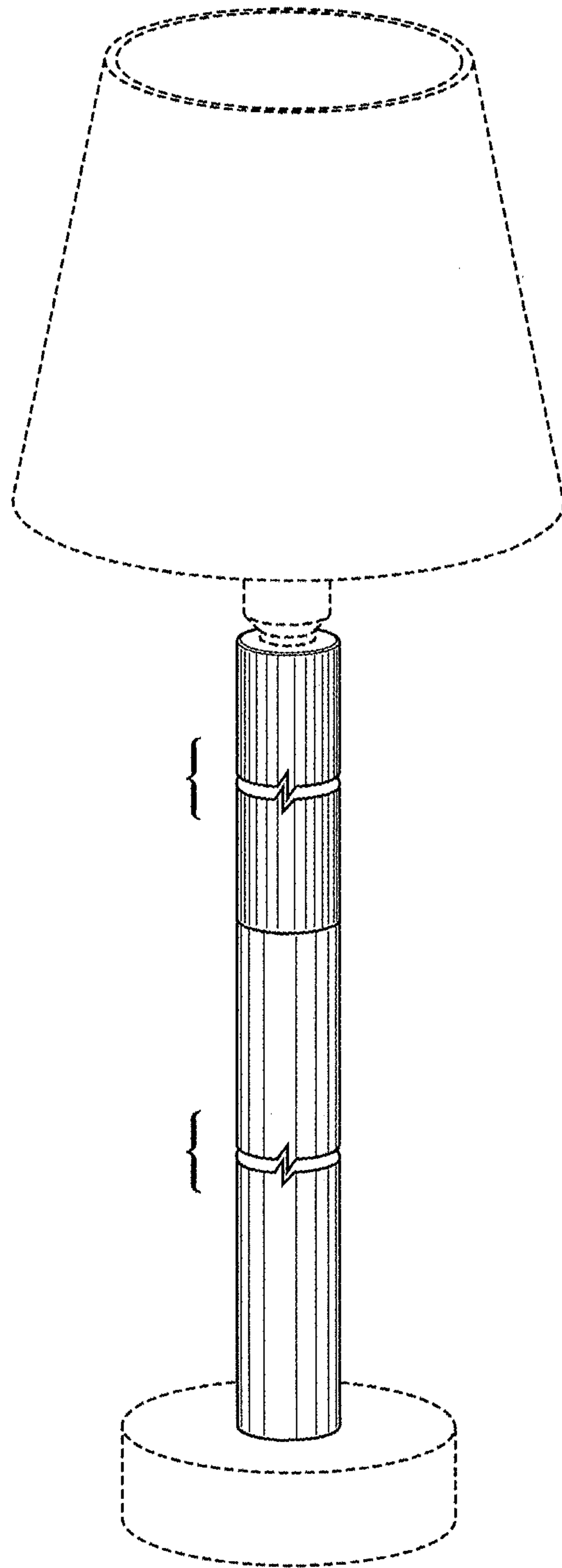


FIG. 1

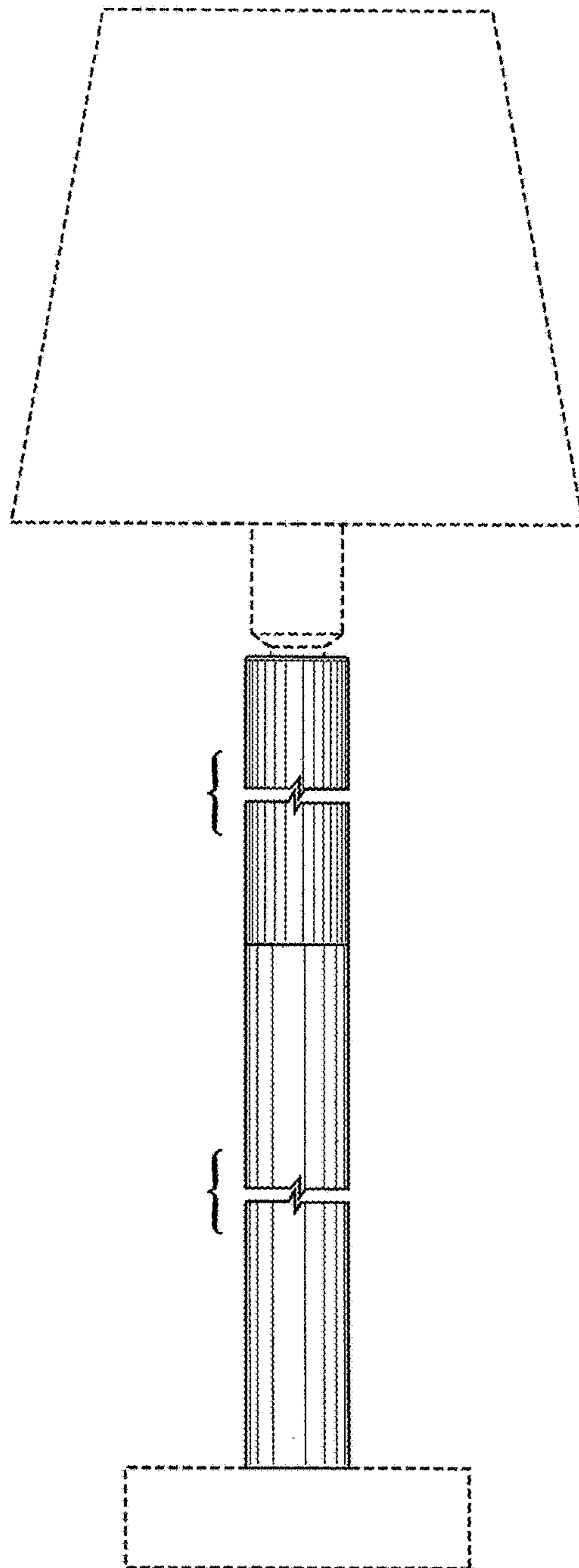
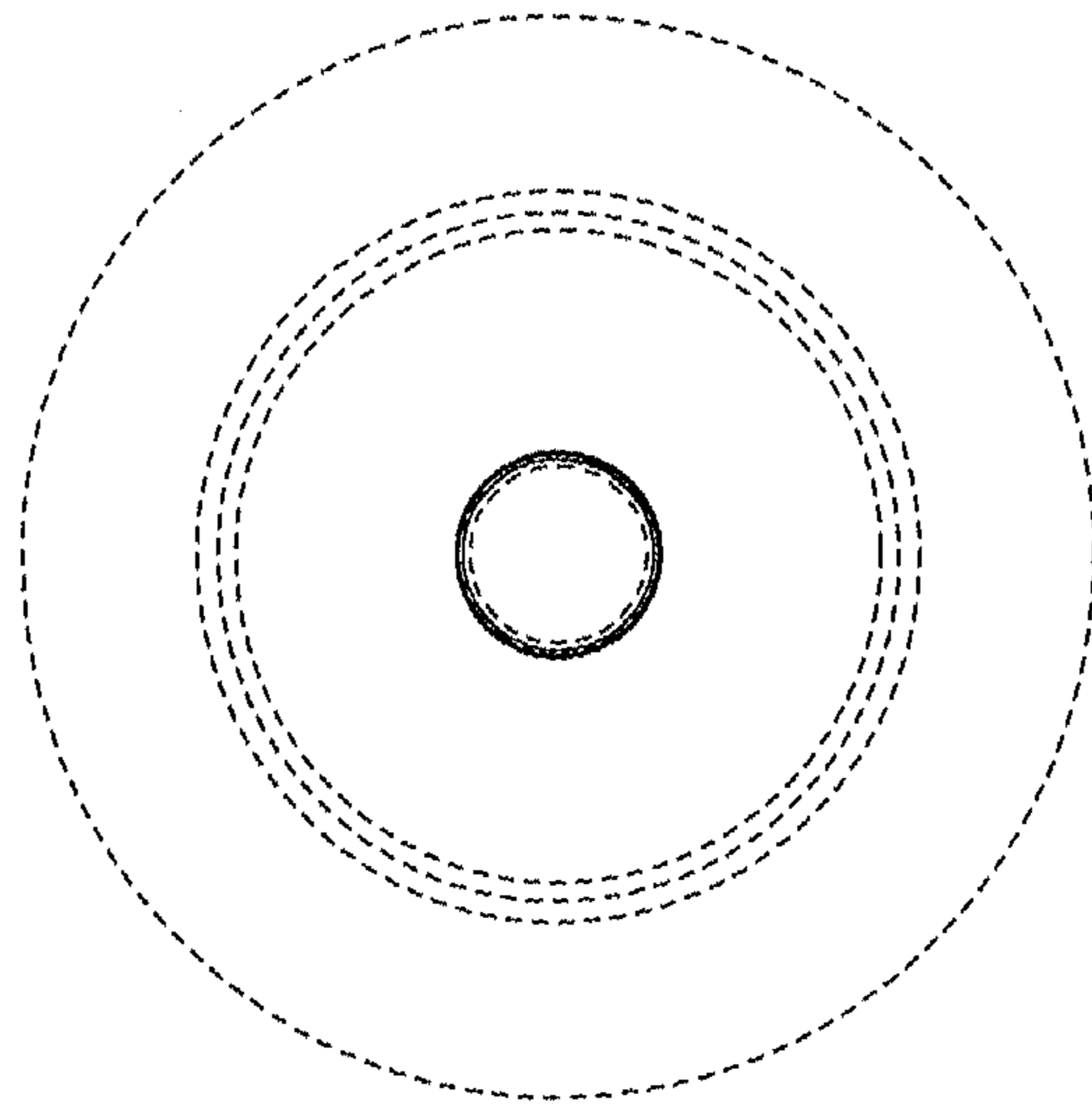


FIG. 2



**FIG. 3**

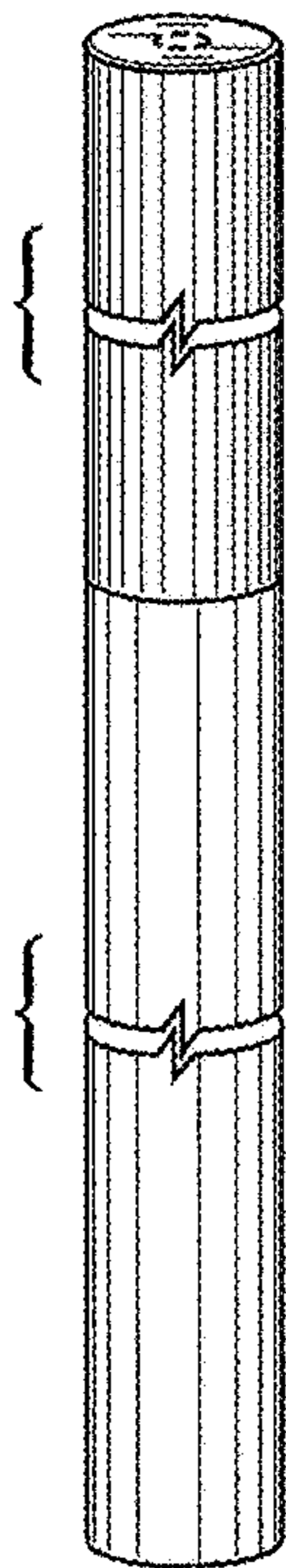


FIG. 4

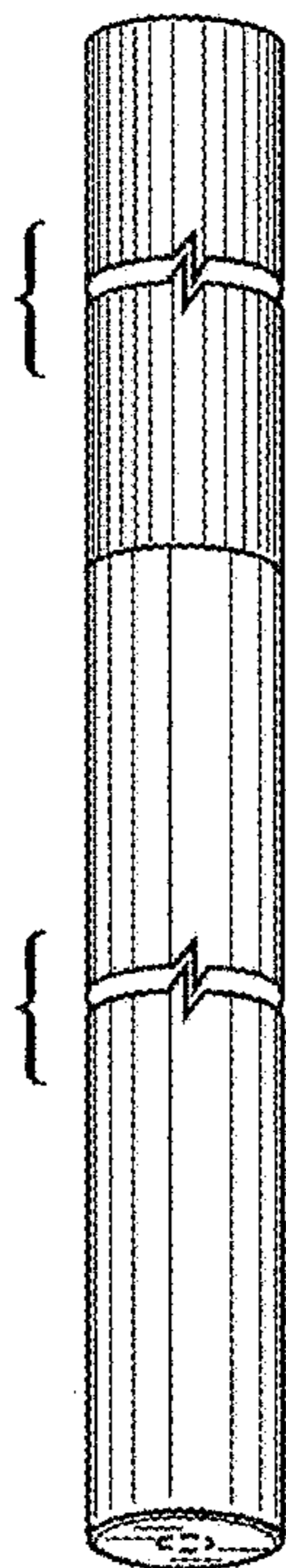


FIG. 5

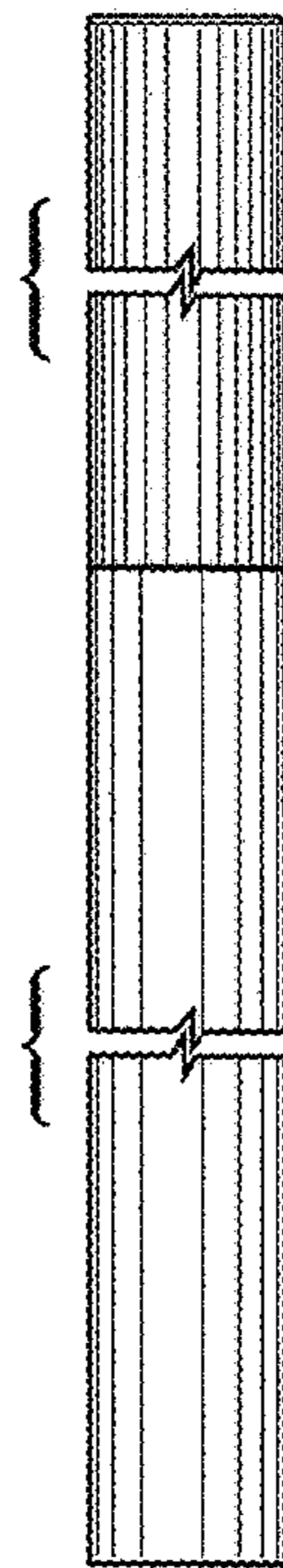


FIG. 6

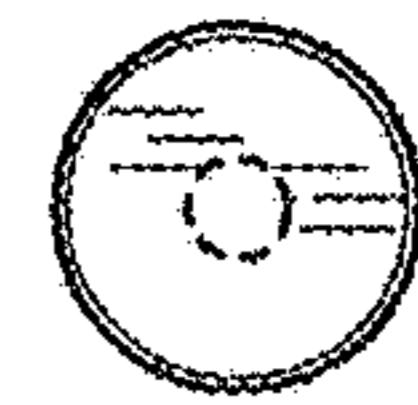


FIG. 7

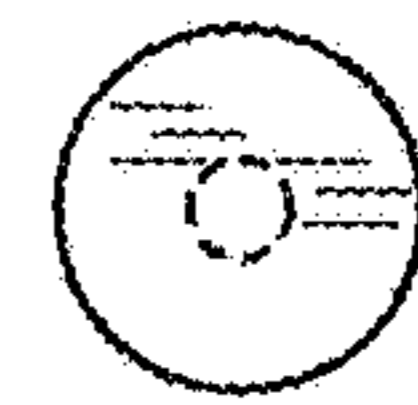


FIG. 8