



US00D777370S

(12) **United States Design Patent**
Pfund et al.

(10) **Patent No.:** **US D777,370 S**

(45) **Date of Patent:** **** Jan. 24, 2017**

(54) **LUMINAIRE MOUNTING INTERFACE**

(71) Applicant: **SYLVAN R. SHEMITZ DESIGNS, LLC**, West Haven, CT (US)

(72) Inventors: **David R. Pfund**, Woodbridge, CT (US); **Matthew R. Bullard**, Unionville, CT (US); **Allison K. Shemitz Walker**, New Haven, CT (US)

(73) Assignee: **SYLVAN R. SHEMITZ DESIGNS, LLC**, West Haven, CT (US)

(**) Term: **15 Years**

(21) Appl. No.: **29/529,194**

(22) Filed: **Jun. 4, 2015**

Related U.S. Application Data

(60) Division of application No. 29/479,008, filed on Jan. 10, 2014, now Pat. No. Des. 747,030, and a continuation of application No. 13/739,838, filed on Jan. 11, 2013, now abandoned.

(51) **LOC (10) Cl.** **26-99**

(52) **U.S. Cl.**
USPC **D26/138**

(58) **Field of Classification Search**
USPC D26/76, 78, 79, 80, 81, 82, 83, 85, 88, D26/90, 118, 119, 120, 121, 122, 138, D26/140-142; D8/349, 354; D14/451
CPC F21S 4/00; F21S 4/003; F21S 4/006; F21S 4/007; F21S 4/008; F21S 6/004; F21S 6/005; F21K 9/54; F21V 15/01; F21V 15/013
See application file for complete search history.

(56) **References Cited**

U.S. PATENT DOCUMENTS

D125,468 S 2/1941 Dreyfuss
D152,177 S 3/1946 Trombley

D147,467 S 4/1946 Meyer
D163,762 S 6/1950 McCann
2,715,449 A 8/1955 Smith et al.
3,240,928 A 3/1966 Young
3,919,459 A 11/1975 Van Steenhoven
D244,508 S * 5/1977 Neece D8/354
D274,657 S 7/1984 Herst et al.
D285,124 S * 8/1986 Hoover D26/138
4,680,677 A 7/1987 Ross
4,849,864 A 7/1989 Forrest
5,001,611 A 3/1991 Beachy et al.
5,136,493 A 8/1992 Straus et al.
5,245,518 A 9/1993 Aspenwall
5,266,738 A 11/1993 MacVoy
5,272,605 A 12/1993 Johnstone
D344,605 S 2/1994 Aspenwall

(Continued)

Primary Examiner — George D Kirschbaum

Assistant Examiner — Natasha Vujcic

(74) *Attorney, Agent, or Firm* — Cantor Colburn LLP

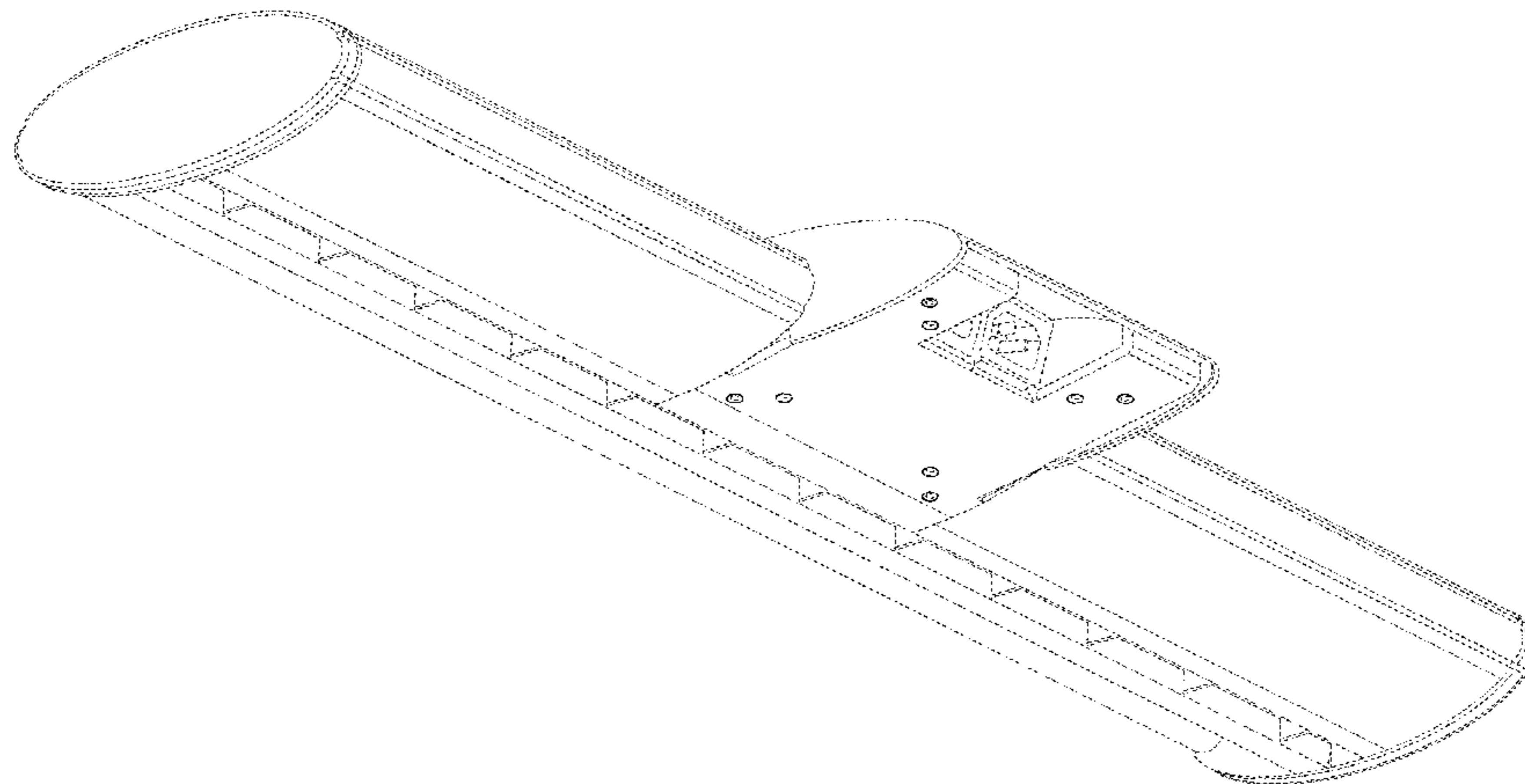
(57) **CLAIM**

We claim, the ornamental design for a luminaire mounting interface, as shown and described.

DESCRIPTION

FIG. 1 is a top perspective view of a luminaire mounting interface showing our new design; FIG. 2 is a bottom perspective view thereof; FIG. 3 is a top plan view thereof; FIG. 4 is a front elevation view thereof; FIG. 5 is a side elevation view thereof, the opposite side being a mirror image thereof; FIG. 6 is a bottom plan view thereof; FIG. 7 is a rear elevation view thereof; and, FIG. 8 is a plan view of the mounting interface thereof. The broken lines in the drawings illustrate portions of the luminaire mounting interface which form no part of the claimed design.

1 Claim, 8 Drawing Sheets



(56)

References Cited

U.S. PATENT DOCUMENTS

5,687,945 A 11/1997 Lee
 D401,001 S 11/1998 Herst et al.
 6,135,624 A * 10/2000 Masters F21V 21/116
 362/145
 6,168,292 B1 1/2001 Sherman
 D472,007 S 3/2003 Weitgasser
 D492,809 S 7/2004 Weitgasser
 7,097,319 B2 * 8/2006 Mauk F21S 8/033
 362/147
 D560,221 S * 1/2008 Hoglan D14/451
 RE40,158 E 3/2008 Weitgasser
 D581,080 S 11/2008 Mier-Langner
 7,556,399 B1 7/2009 Bailey
 D599,054 S * 8/2009 Yu D26/155
 D604,885 S 11/2009 Ford et al.

D607,598 S 1/2010 Xiao et al.
 D607,599 S 1/2010 Zhou et al.
 D654,350 S * 2/2012 Preda D8/354
 D684,033 S * 6/2013 Preda D8/354
 8,511,630 B2 * 8/2013 Varieur G08B 5/38
 248/300
 2007/0263394 A1 11/2007 Thielemans et al.
 2009/0278480 A1 11/2009 Nunes
 2011/0128746 A1 6/2011 Zheng
 2011/0222284 A1 9/2011 Kong et al.
 2012/0170293 A1 7/2012 Terry
 2012/0218769 A1 8/2012 Van Horn et al.
 2012/0243200 A1 9/2012 Sutton et al.
 2013/0176743 A1 * 7/2013 Pfund F21V 21/00
 362/368
 2016/0010835 A1 * 1/2016 Lee F21V 21/14
 362/147

* cited by examiner

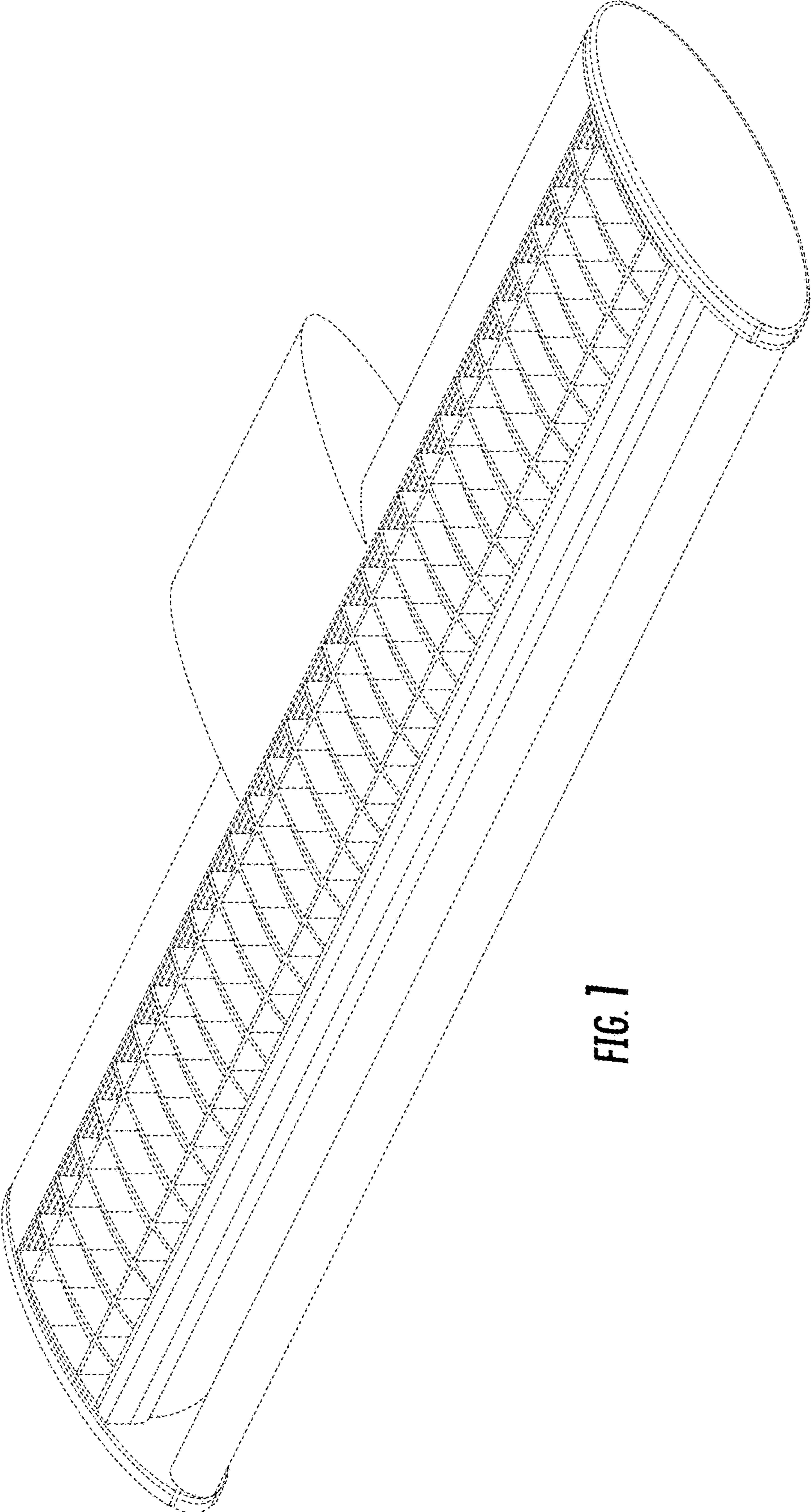


FIG. 1

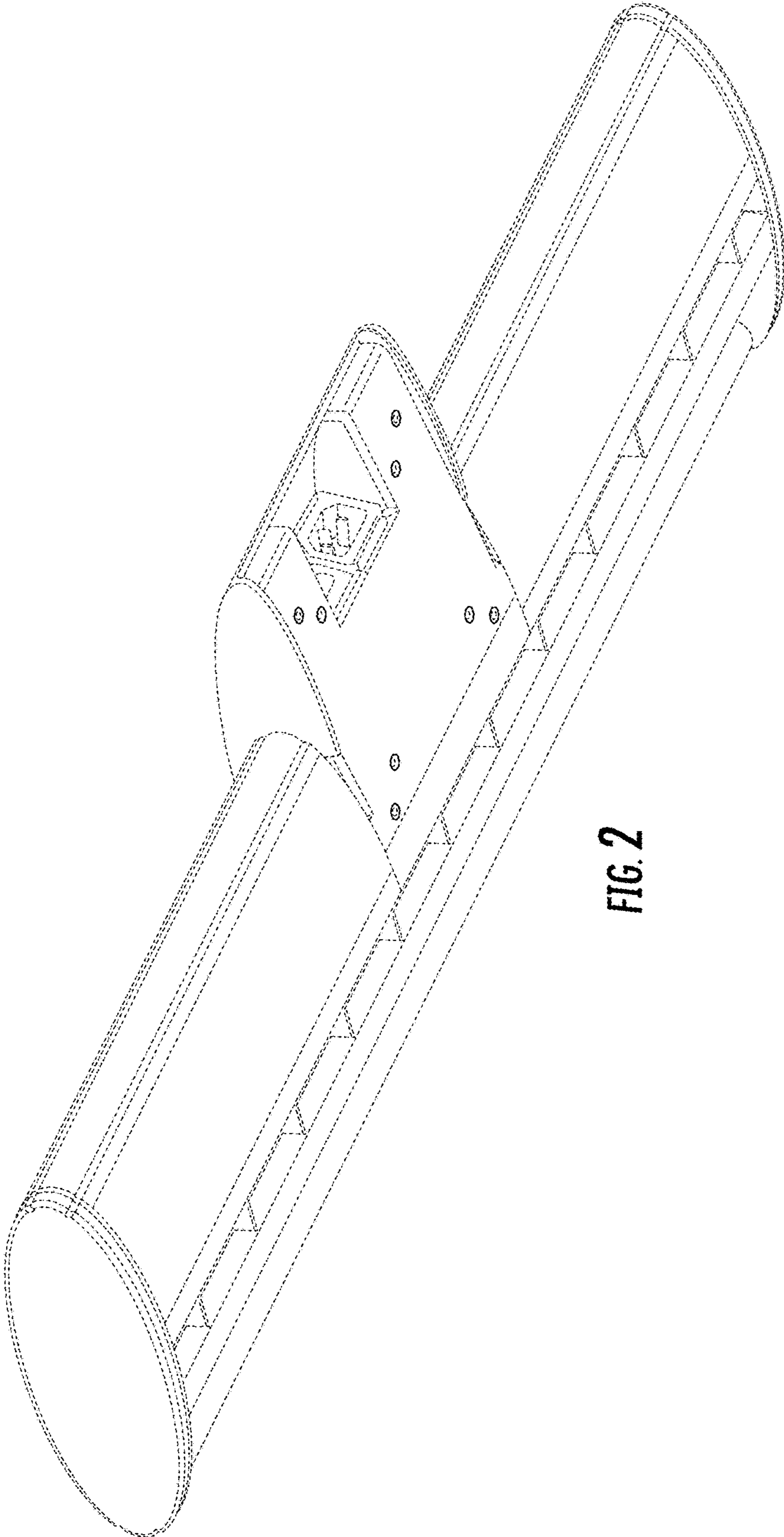


FIG. 2

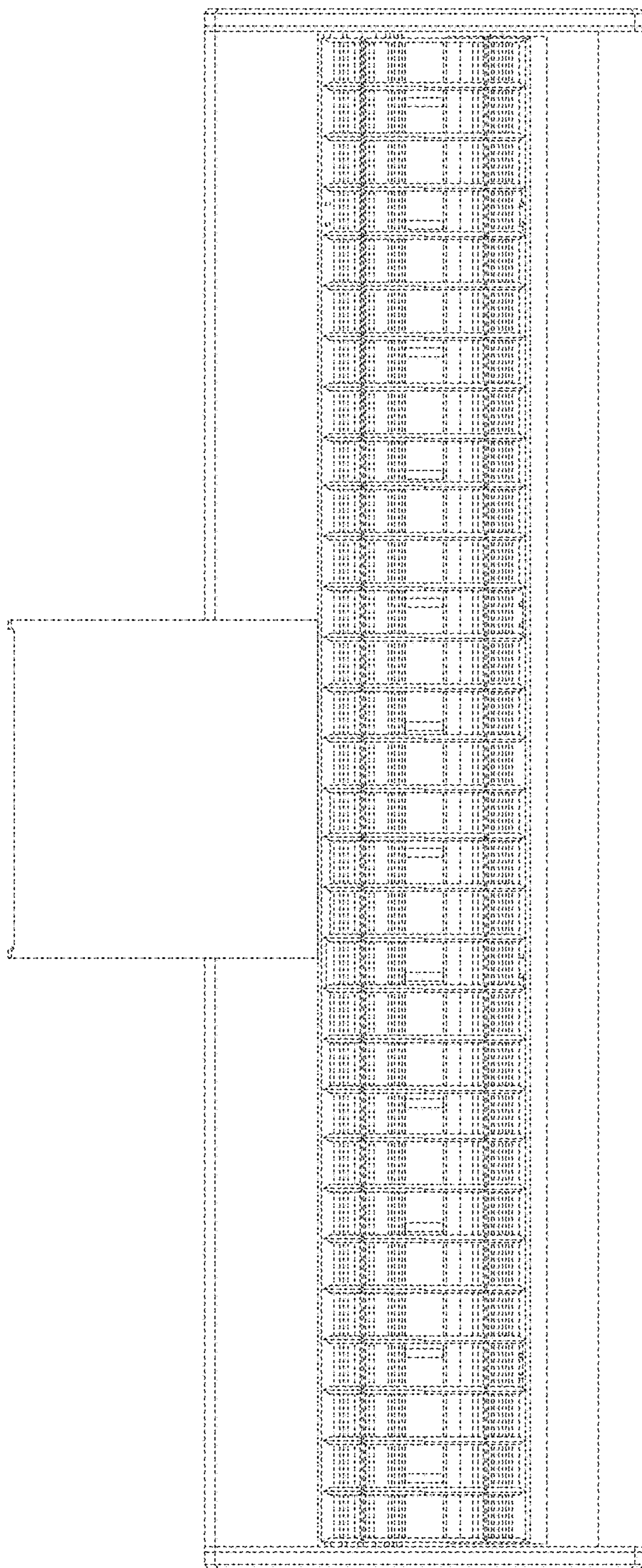


FIG. 3

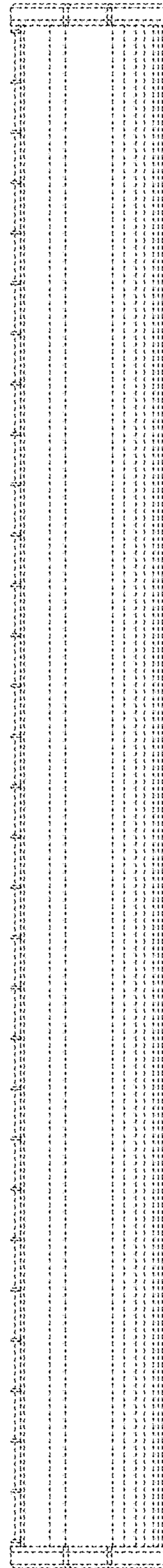


FIG. 4

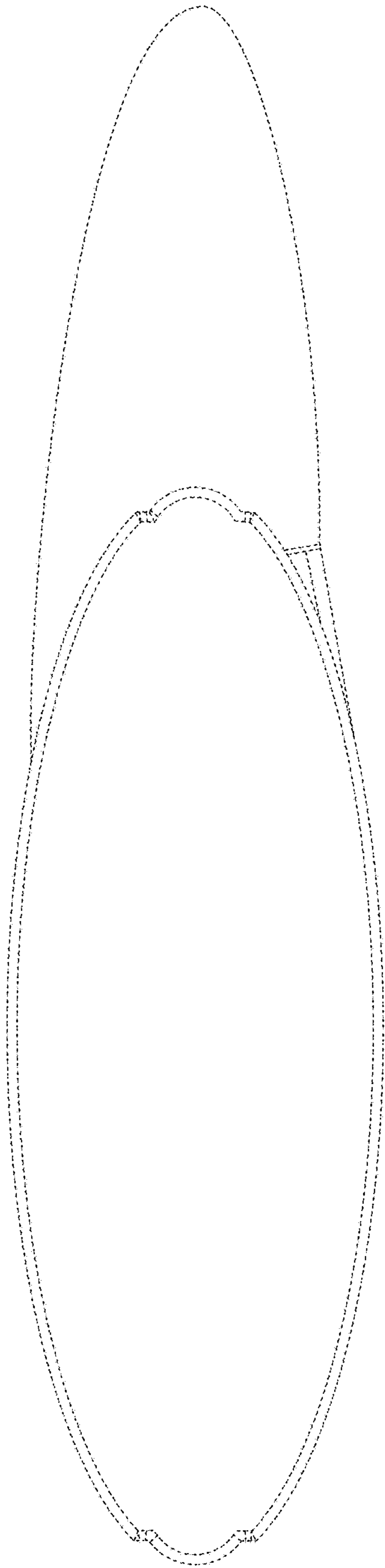


FIG. 5

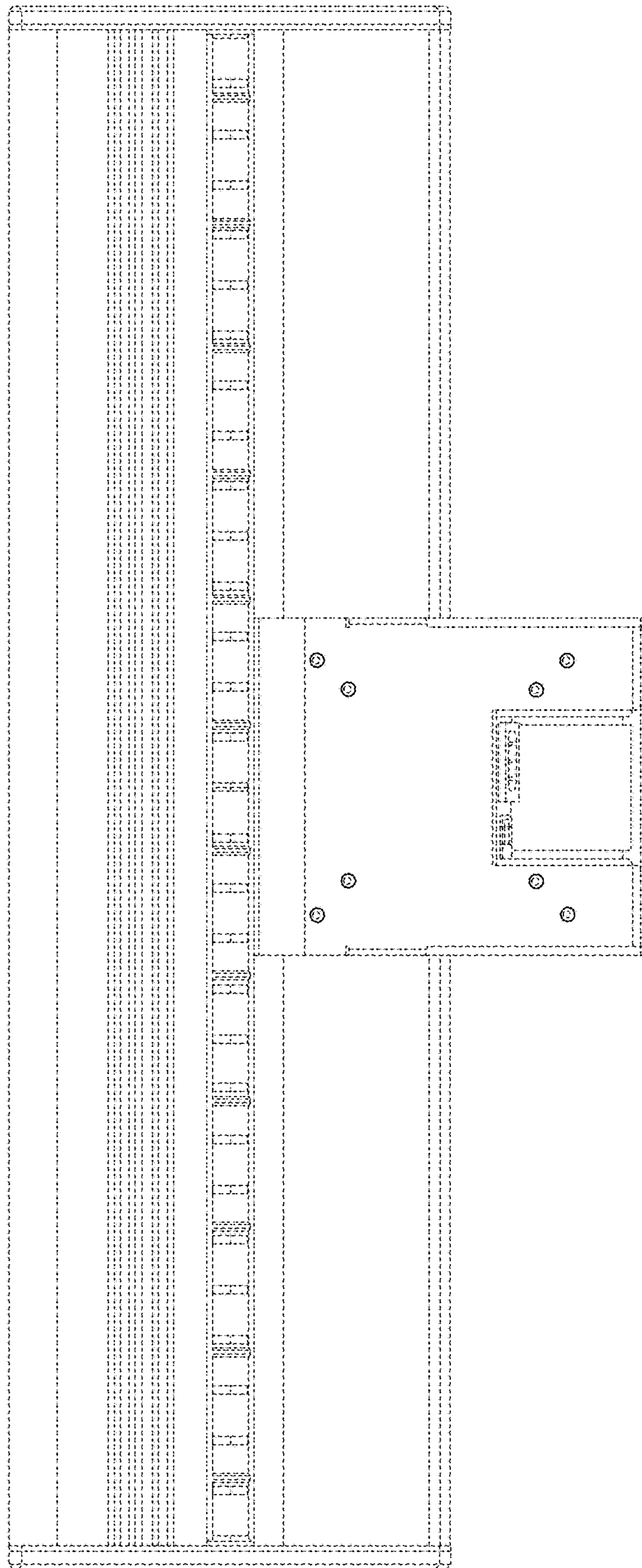


FIG. 6

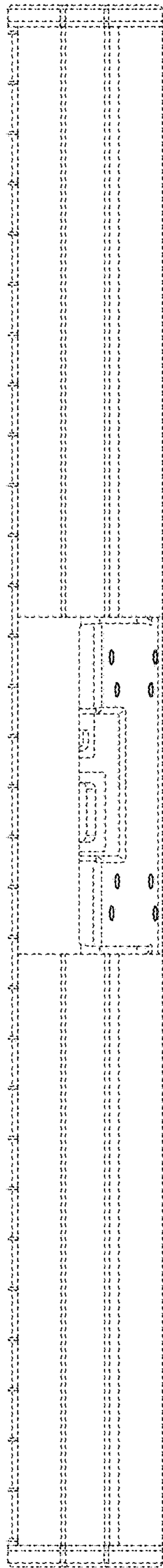


FIG. 7

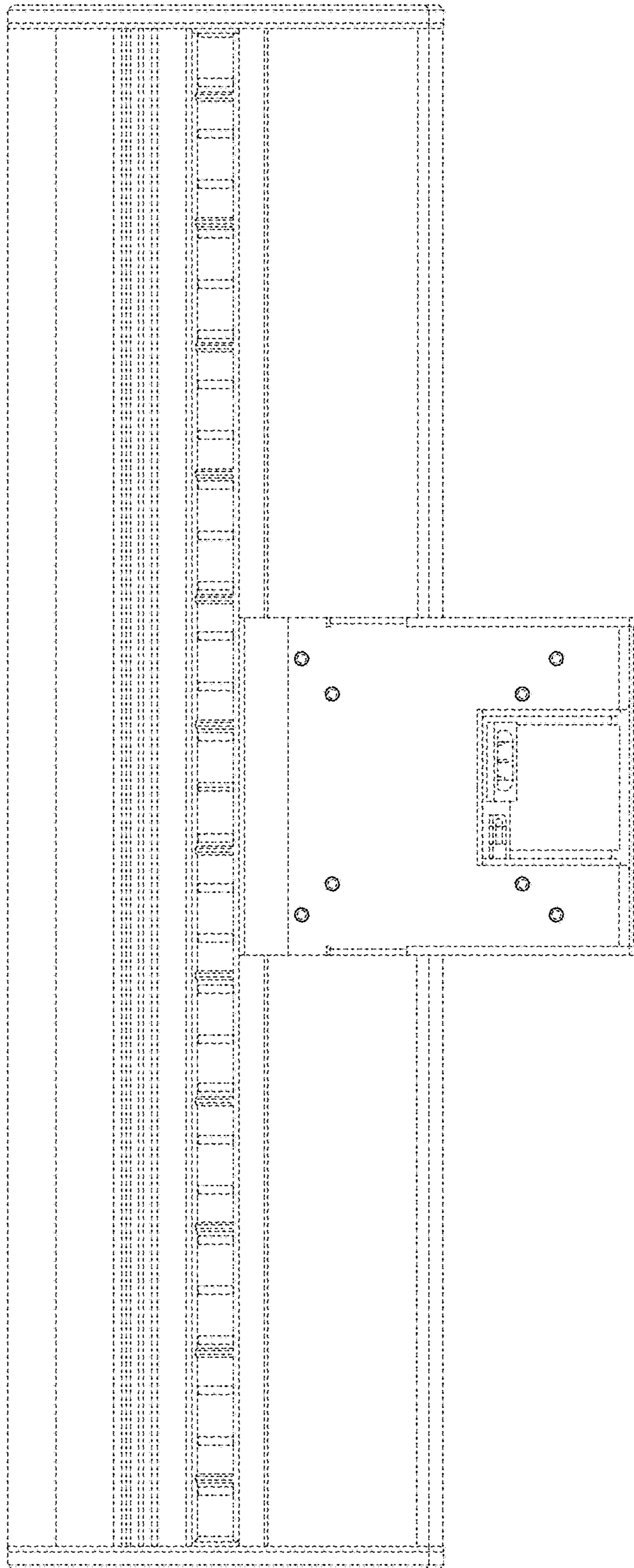


FIG. 8