

US00D777367S

(12) **United States Design Patent** (10) **Patent No.:** **US D777,367 S**  
**Ma** (45) **Date of Patent:** **\*\* Jan. 24, 2017**

- (54) **TAP LIGHT**
- (71) Applicant: **Energizer Brands, LLC**, Saint Louis, MO (US)
- (72) Inventor: **Lai King Ma**, Ma On Sha (HK)
- (73) Assignee: **ENERGIZER BRANDS, LLC**, St. Louis, MO (US)
- (\*\*) Term: **15 Years**
- (21) Appl. No.: **29/543,805**
- (22) Filed: **Oct. 28, 2015**
- (51) **LOC (10) Cl.** ..... **26-03**
- (52) **U.S. Cl.**  
USPC ..... **D26/104**
- (58) **Field of Classification Search**  
USPC ..... D26/72, 80, 82, 83, 84, 85, 86, 89, 118, D26/120, 128-137, 24, 124, 104, 37  
CPC ..... F21S 8/03; F21S 8/033; F21S 8/04; F21V 3/04; F21V 3/0418; F21V 3/0427; F21V 3/0436; F21V 3/0445; F21V 21/02; F21V 21/03; F21V 29/506; F21V 3/049; F21V 5/045; F21V 7/04; F21V 11/06  
See application file for complete search history.

D607,600 S *	1/2010	Keith .....	D26/104
D633,231 S *	2/2011	Morrison .....	D26/24
D633,644 S *	3/2011	Sprengers .....	D26/89
D634,053 S *	3/2011	Guercio .....	D26/89
D647,227 S *	10/2011	Kaule .....	D26/24
D694,463 S *	11/2013	Sieczkowski .....	D26/124
D729,970 S *	5/2015	Jepson .....	D26/89
D735,393 S *	7/2015	Hennessey et al.	
D759,877 S *	6/2016	Hewitt .....	D26/89

**OTHER PUBLICATIONS**

[http://www.amazon.com/Sylvania-Silver-Self-Adhesive-Bright-White/dp/B000CNB6VW/ref=sr\\_1\\_2/189-0484559-9203657?ie=UTF8&qid=1446052501&sr=8-2&keywords=dot+it+sylvania](http://www.amazon.com/Sylvania-Silver-Self-Adhesive-Bright-White/dp/B000CNB6VW/ref=sr_1_2/189-0484559-9203657?ie=UTF8&qid=1446052501&sr=8-2&keywords=dot+it+sylvania)  
<http://www.amazon.com/Energizer-EVAL33A2-Tap-Light-2-Pack/dp/B00550MB3U>.

\* cited by examiner

*Primary Examiner* — Brian N Vinson  
(74) *Attorney, Agent, or Firm* — Alston & Bird LLP

(57) **CLAIM**

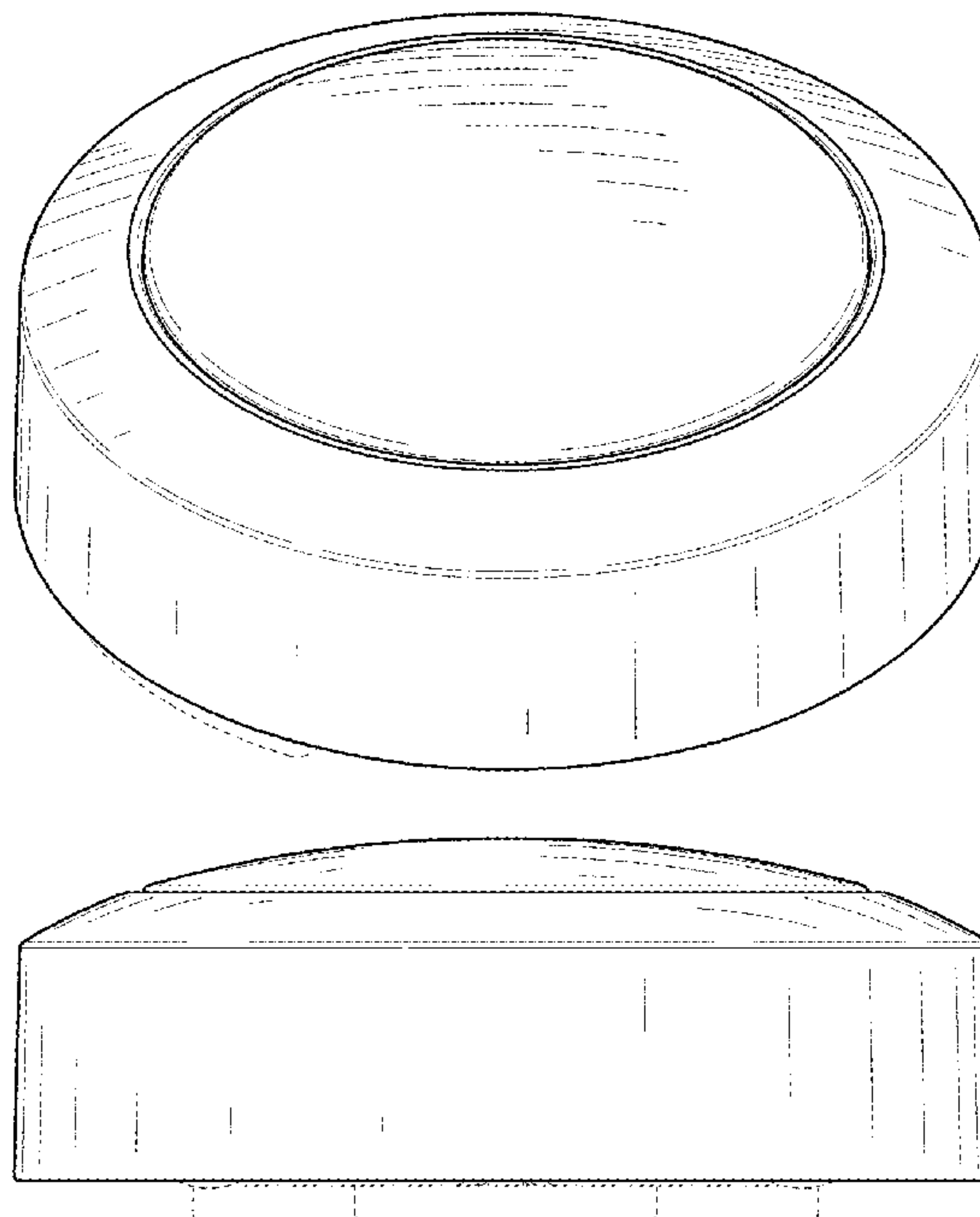
The ornamental design for a tap light, as shown and described.

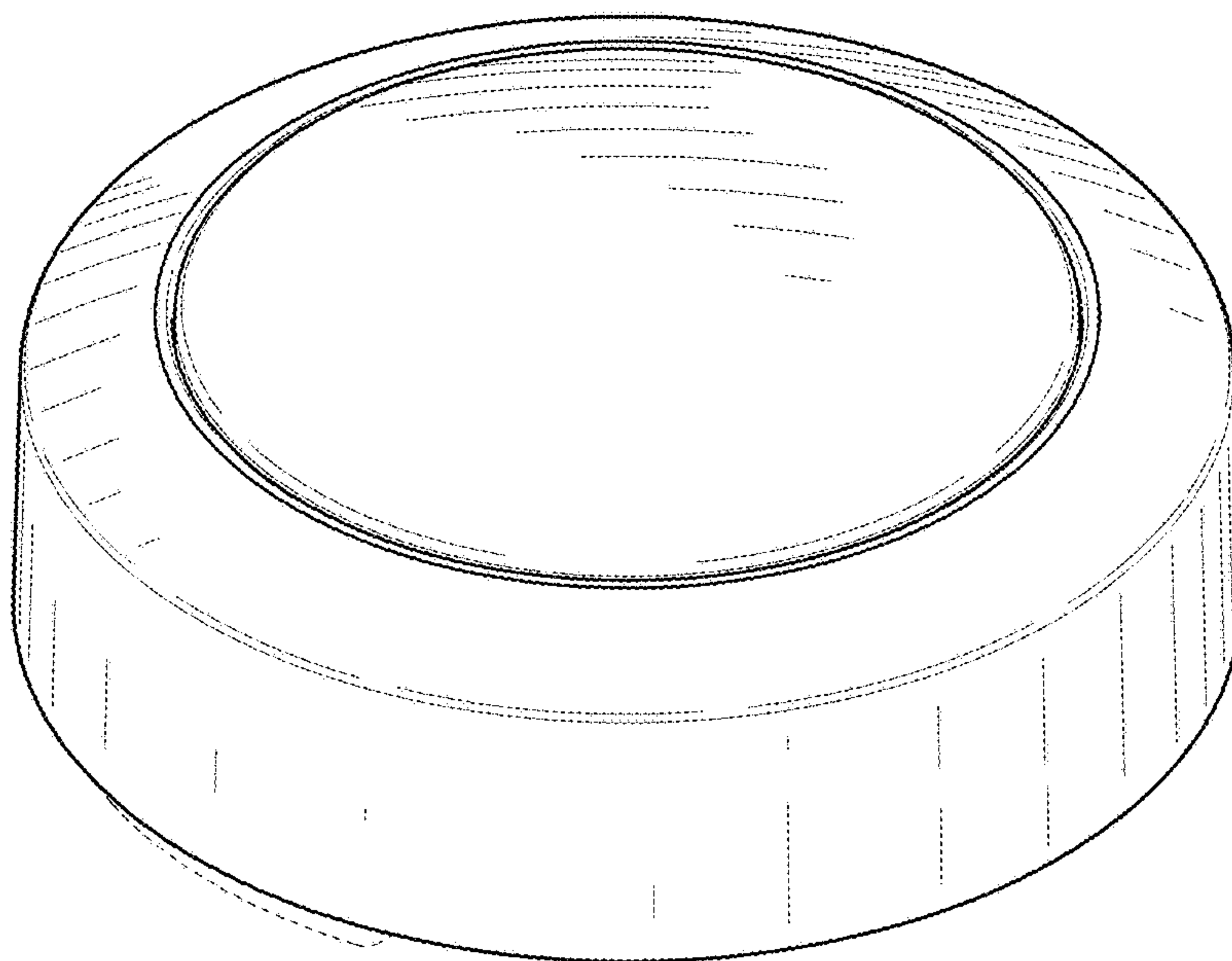
**DESCRIPTION**

FIG. 1 is a front perspective view of the design;  
FIG. 2 is a front view of the design;  
FIG. 3 is a rear view of the design;  
FIG. 4 is a side view of the design;  
FIG. 5 is a side view of the design;  
FIG. 6 is a top view of the design; and,  
FIG. 7 is a bottom view of the design.  
Any broken line(s) shown are for illustrative purposes only and form no part of the claimed design.

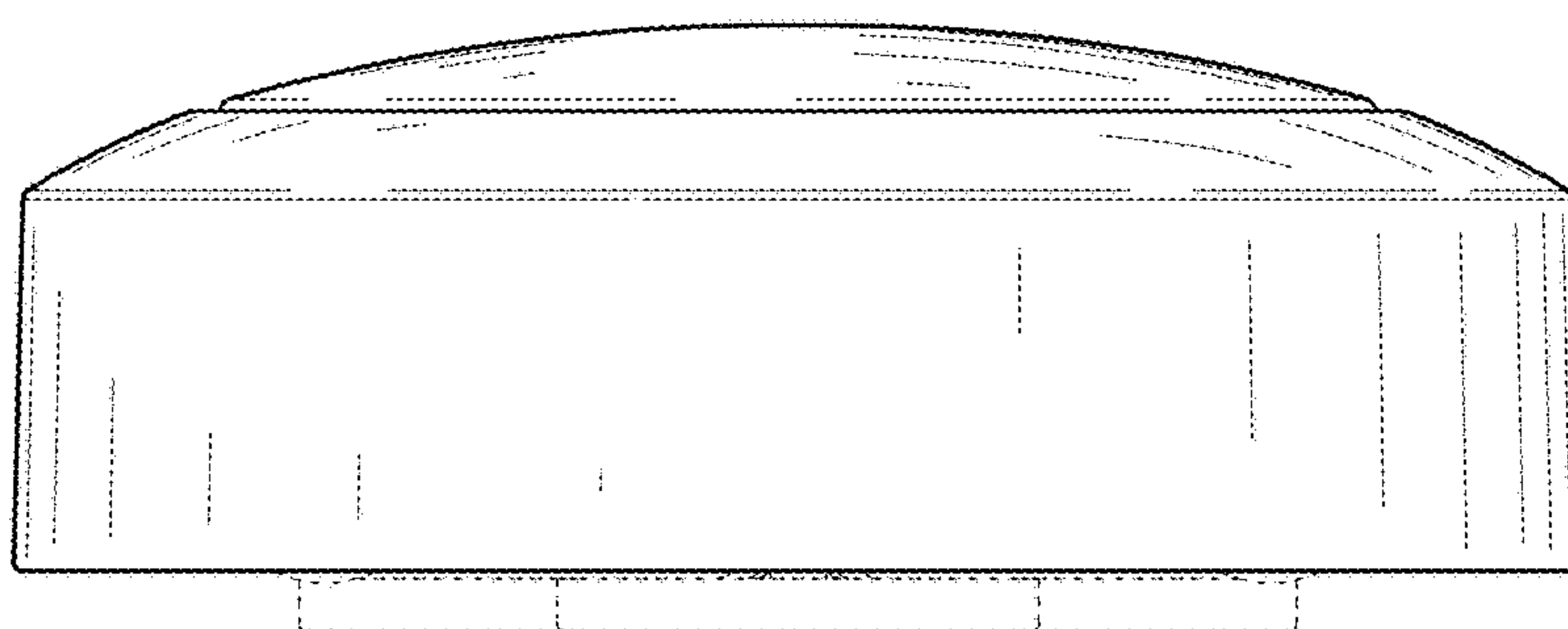
**1 Claim, 3 Drawing Sheets**

- (56) **References Cited**  
U.S. PATENT DOCUMENTS  
4,344,116 A \* 8/1982 Martin ..... H01R 13/717 362/644  
D371,857 S \* 7/1996 Gismondi ..... D26/37  
D482,484 S \* 11/2003 Benghozi ..... D26/85  
D544,618 S \* 6/2007 Coughaine ..... D26/37  
D570,532 S \* 6/2008 Camarota ..... D26/120

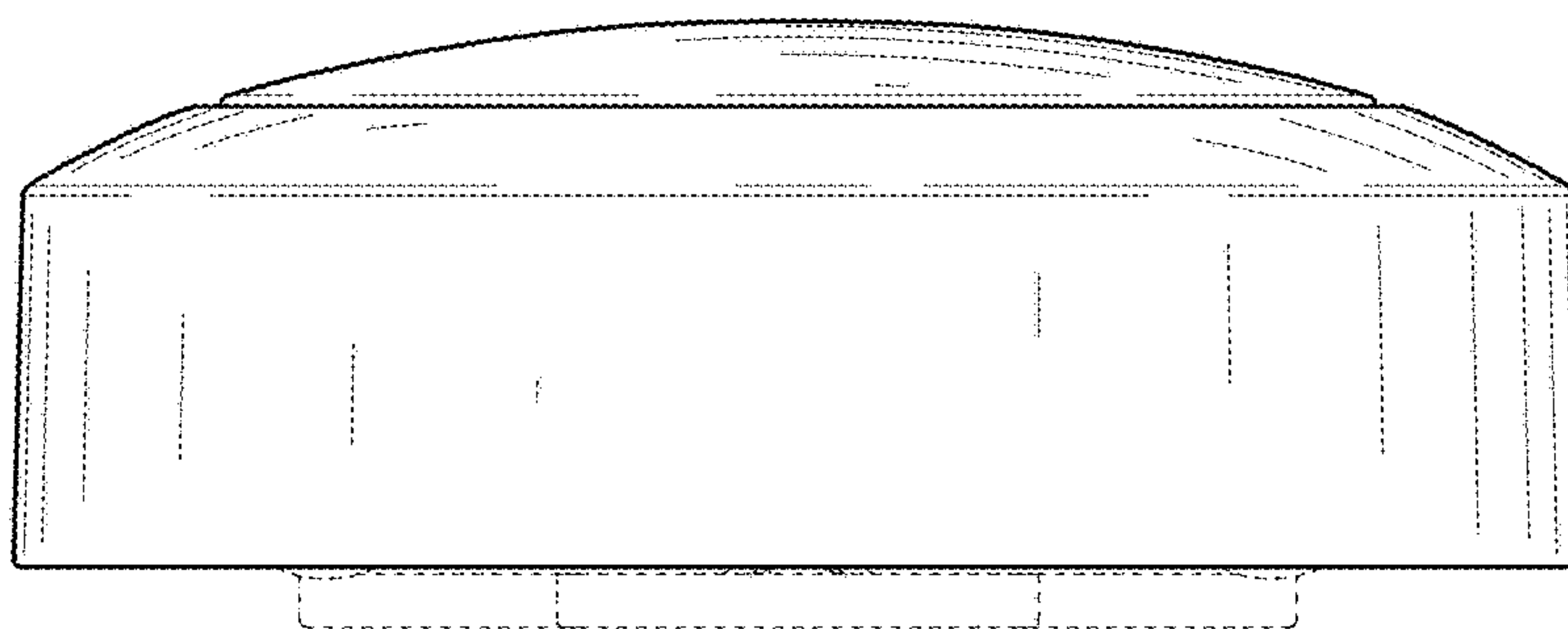




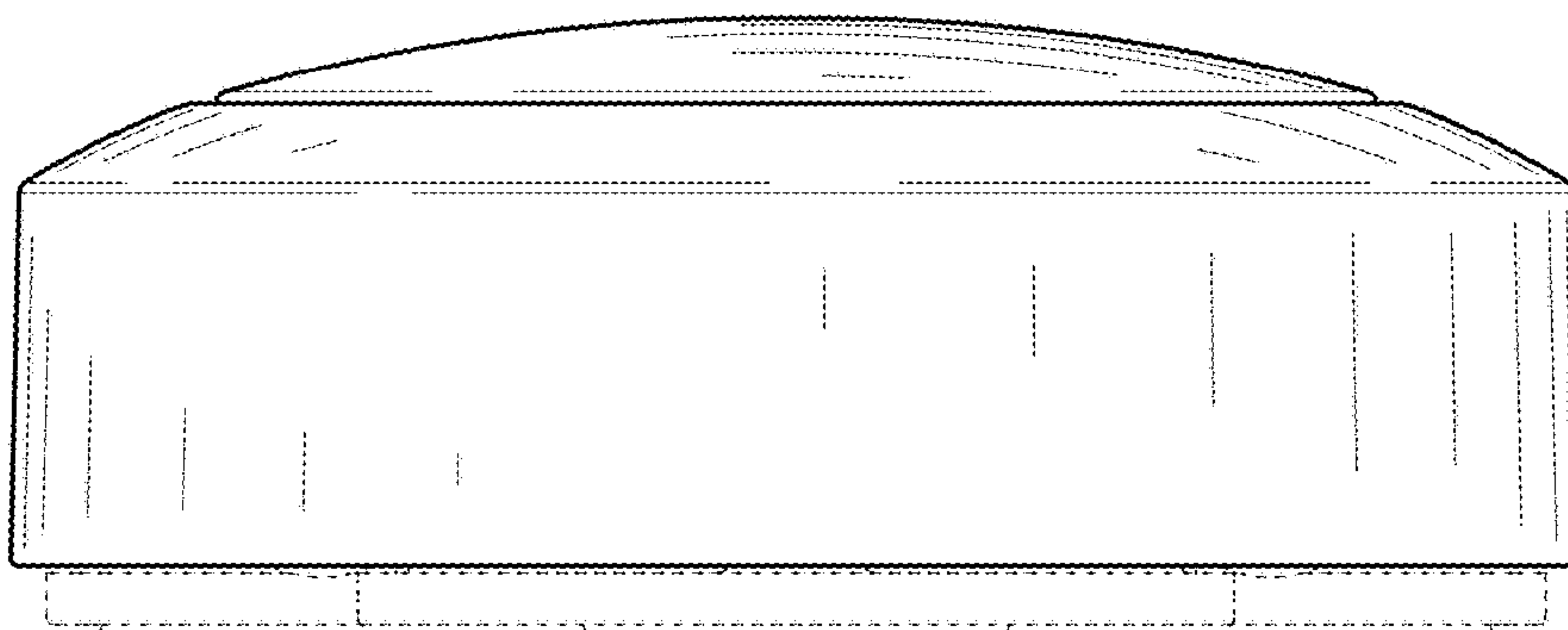
**Fig. 1**



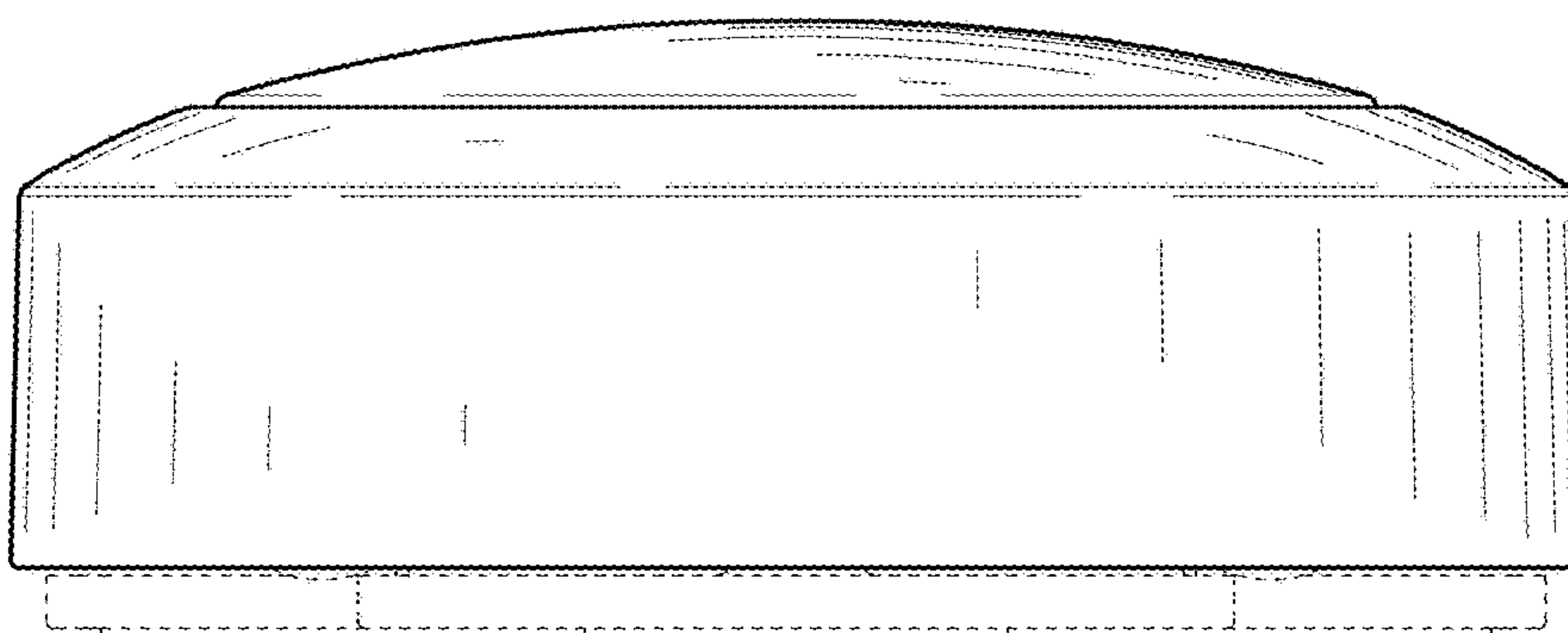
**Fig. 2**



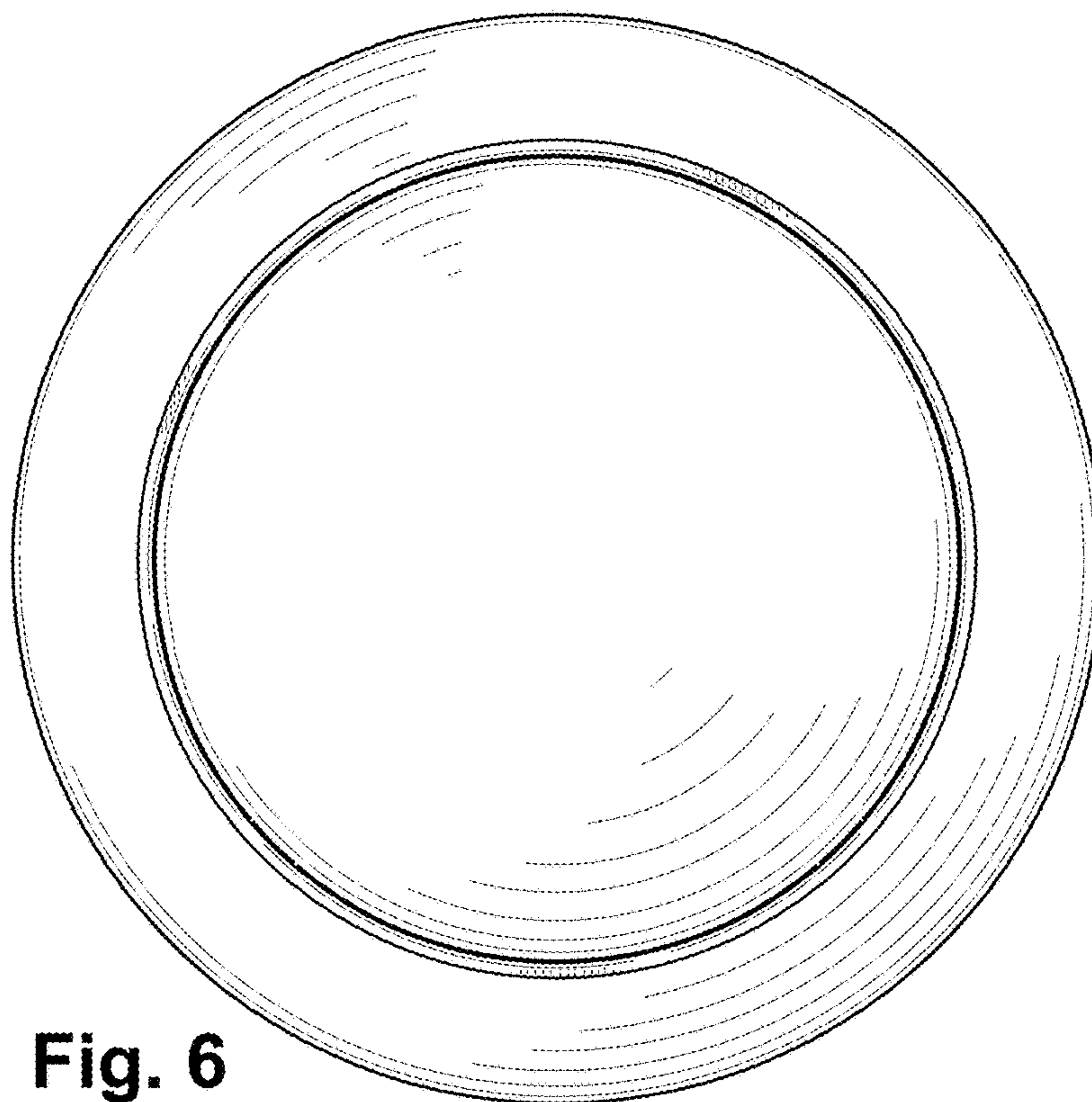
**Fig. 3**



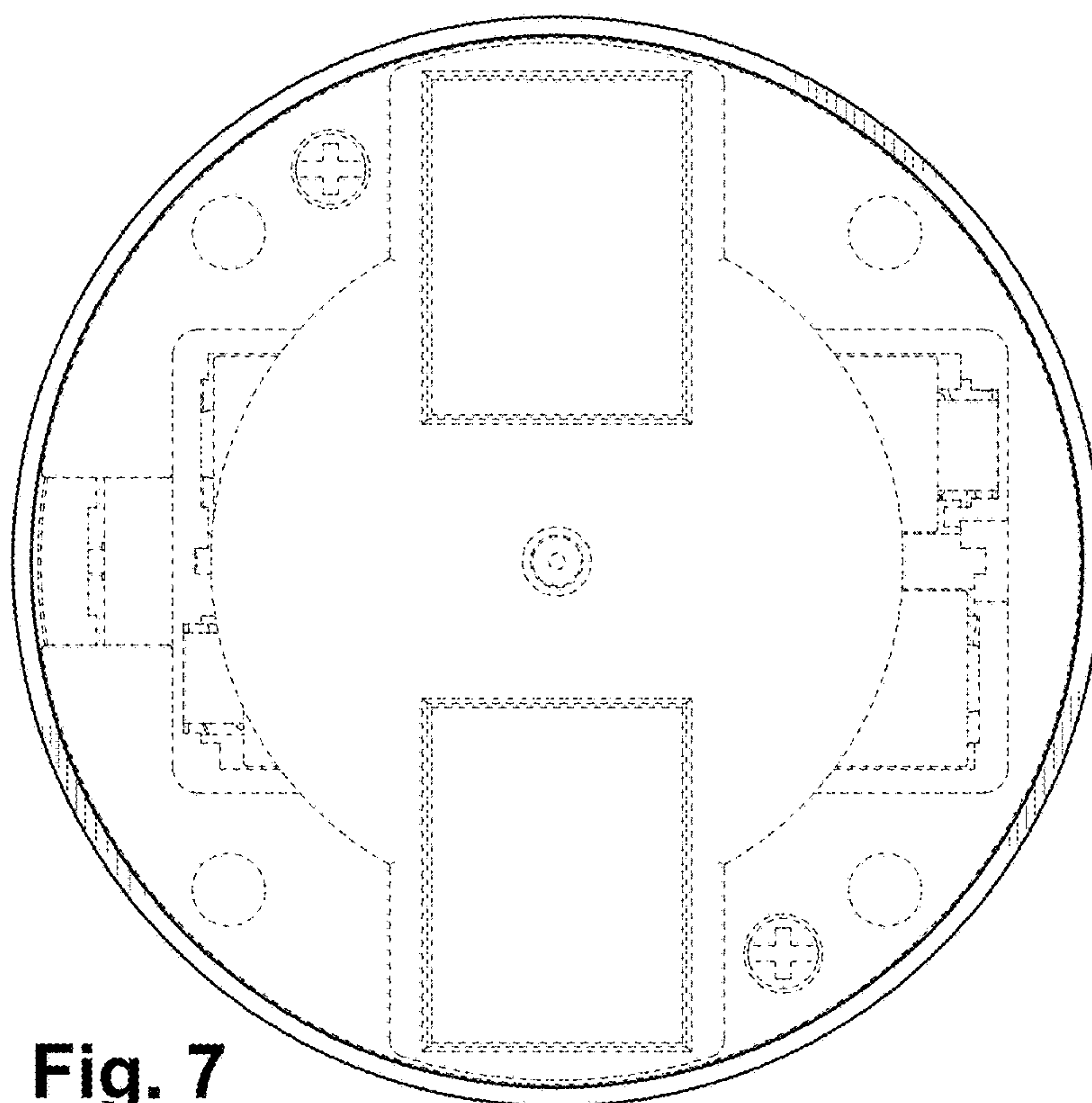
**Fig. 4**



**Fig. 5**



**Fig. 6**



**Fig. 7**