



US00D777366S

(12) **United States Design Patent**
Kitts

(10) **Patent No.:** **US D777,366 S**
(45) **Date of Patent:** **** Jan. 24, 2017**

- (54) **LAMP**
- (71) Applicant: **Hubbardton Forge LLC**, Castleton, VT (US)
- (72) Inventor: **David Kitts**, Rutland, VT (US)
- (73) Assignee: **Hubbardton Forge, LLC.**, Castleton, VT (US)
- (**) Term: **15 Years**
- (21) Appl. No.: **29/540,903**
- (22) Filed: **Sep. 29, 2015**
- (51) **LOC (10) Cl.** **26-03**
- (52) **U.S. Cl.**
USPC **D26/90; D26/88**
- (58) **Field of Classification Search**
USPC D26/76, 80, 82, 83, 84, 85, 88, 90, 91, D26/118, 120, 128, 130, 131, 135, 154
CPC F21S 8/04; F21S 8/043; F21S 8/046; F21S 8/06; F21S 8/061; F21S 8/063; F21S 8/065; F21S 8/068; F21V 1/26; F21V 7/005; F21V 11/116; F21V 3/023
See application file for complete search history.

D674,955 S *	1/2013	Sonneman	D26/88
D681,260 S *	4/2013	Kitts	D26/120
D694,943 S *	12/2013	Sonneman	D26/88
D701,635 S *	3/2014	Lim	D26/82
D716,487 S *	10/2014	Martin	D26/88
D762,911 S *	8/2016	Blum	D26/88
2005/0180131 A1 *	8/2005	Grimmeisen	F21S 8/06 362/221

OTHER PUBLICATIONS

Pendant on lower right of page identified as "10 of 69" from modernlightinguniverse.com visited Jun. 16, 2009.*
Pendant on lower Left of page identified as "14 of 69" from modernlightinguniverse.com visited Jun. 16, 2009.*
"Fabuena"—Bizarre Small Pendant Lamp found at <http://2modern.com/modern-furniture/Hanging-Lamps?range=211%2C240%2C244> Visited May 16, 2010.*

* cited by examiner

Primary Examiner — Clare E Heflin

(57) **CLAIM**

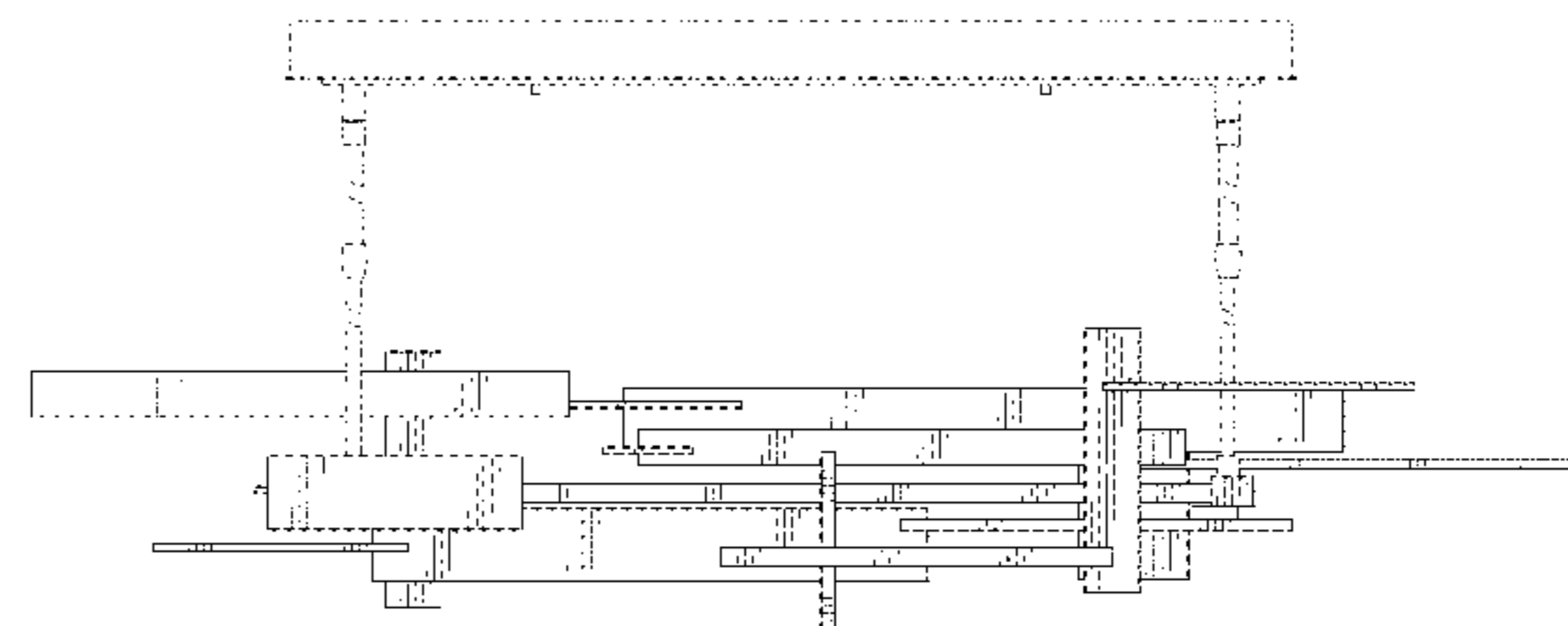
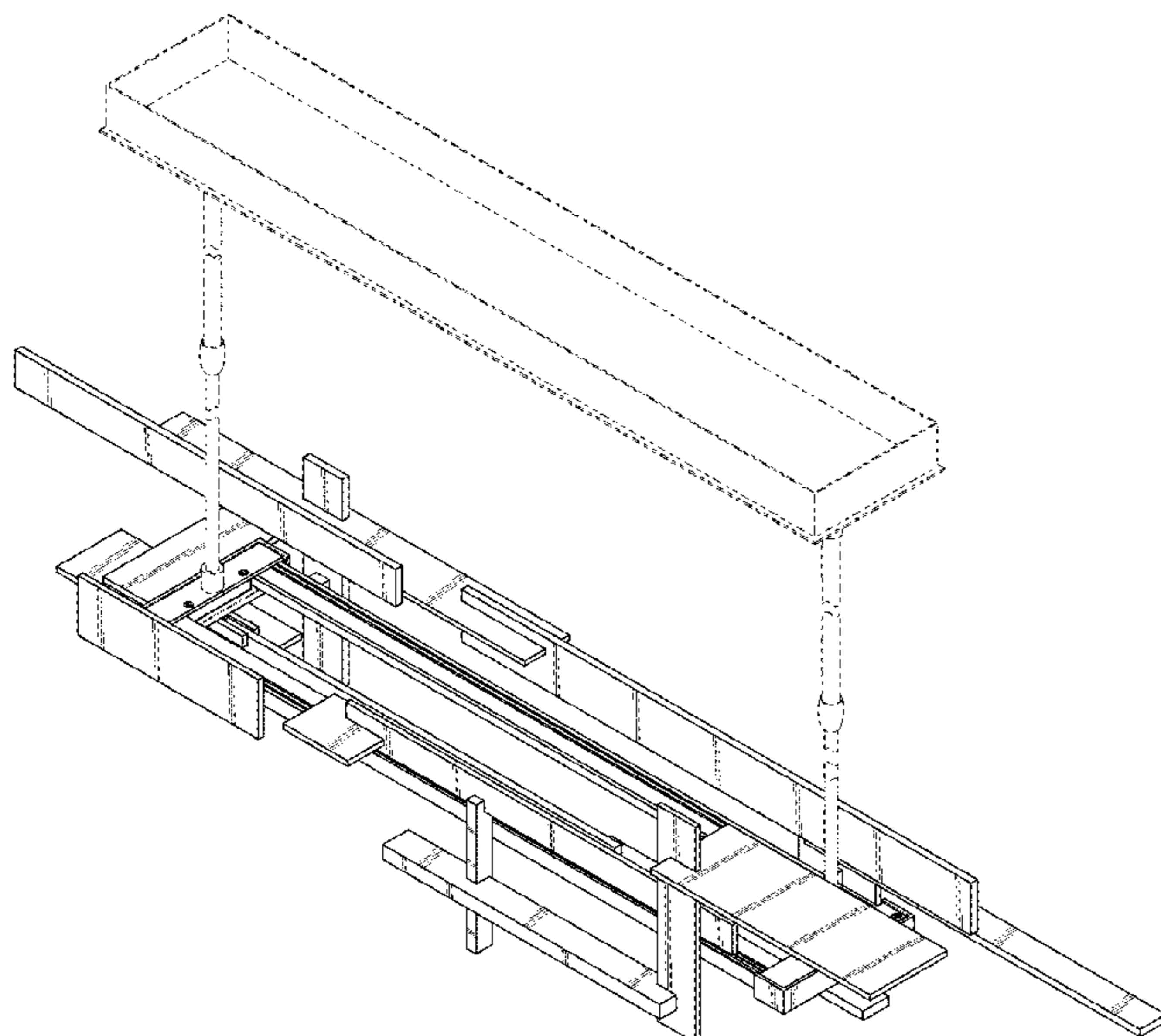
The ornamental design for a lamp, as shown and described.

DESCRIPTION

FIG. 1 is a perspective view of the lamp according to the present invention;
FIG. 2 is a front view of the lamp thereof;
FIG. 3 is a back view of the lamp thereof;
FIG. 4 is a right side view of the lamp thereof;
FIG. 5 is a left side view of the lamp thereof;
FIG. 6 is a top view of the lamp thereof; and,
FIG. 7 is a bottom view of the lamp thereof.
The dashed lines in the drawings illustrate portions of the lamp which form no part of the claimed design.

1 Claim, 7 Drawing Sheets

- (56) **References Cited**
U.S. PATENT DOCUMENTS
D314,059 S * 1/1991 O'Neil D26/73
D468,474 S * 1/2003 Poulton D26/90
D592,787 S * 5/2009 Chandler D26/81
D634,887 S * 3/2011 Kitts D26/143
D671,670 S * 11/2012 Sonneman D26/90
D674,954 S * 1/2013 Sonneman D26/88



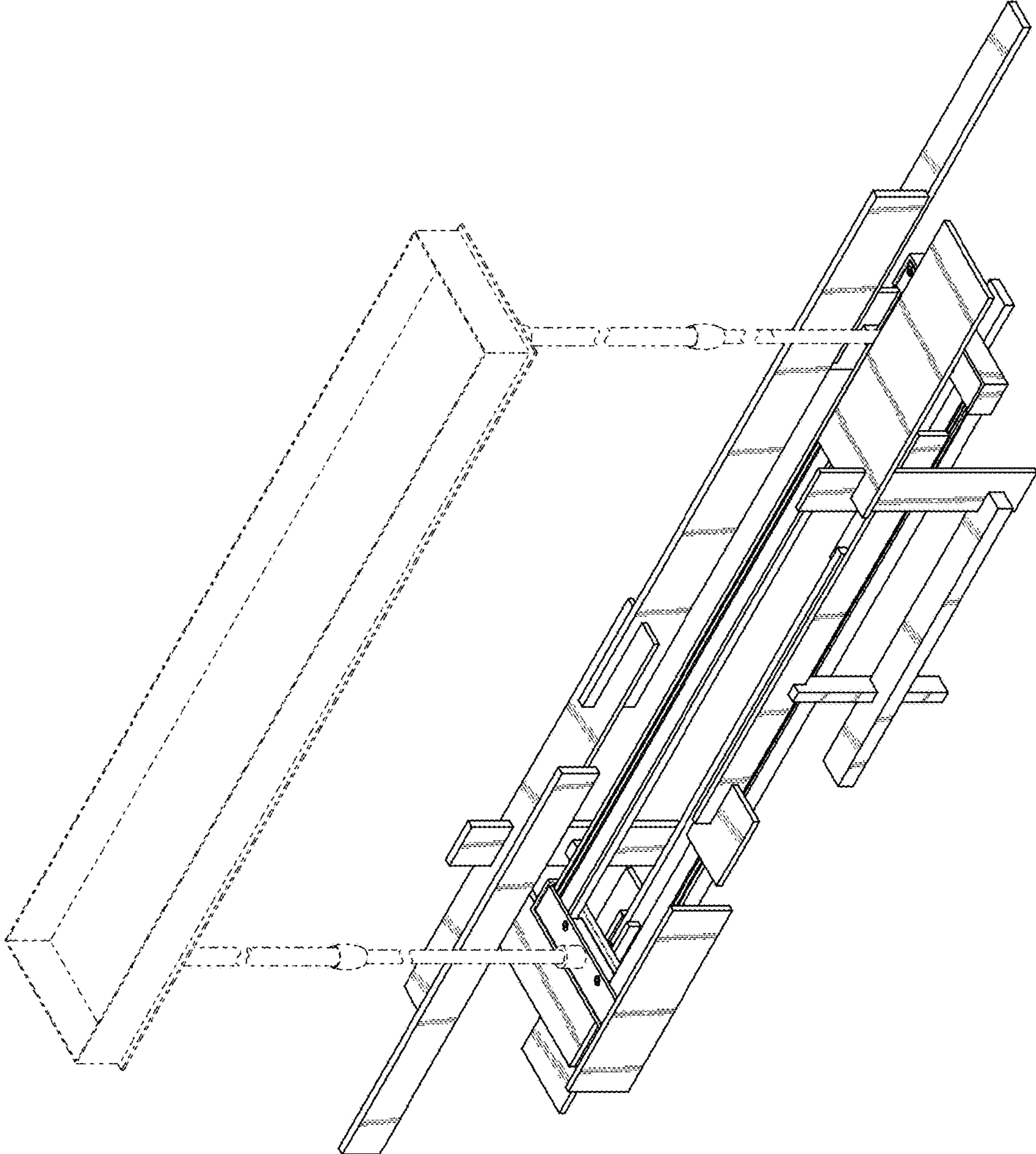


FIG. 1

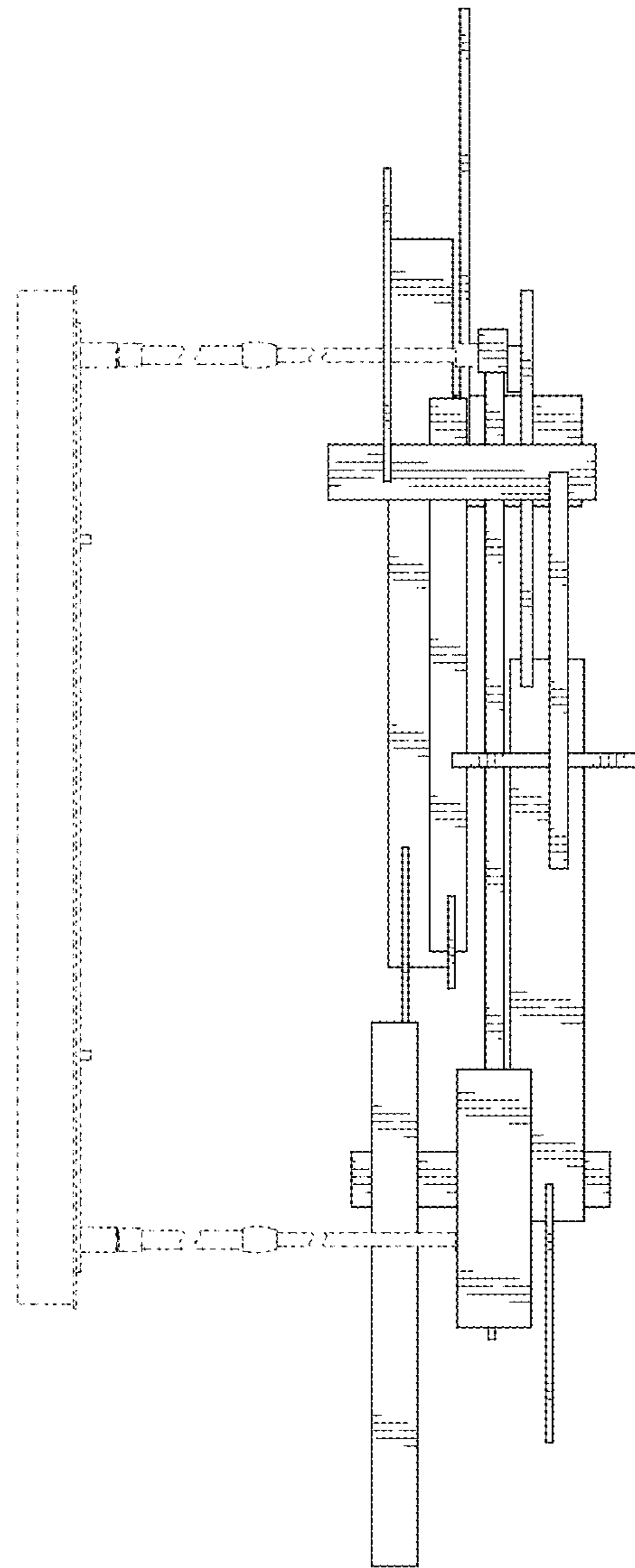


FIG. 2

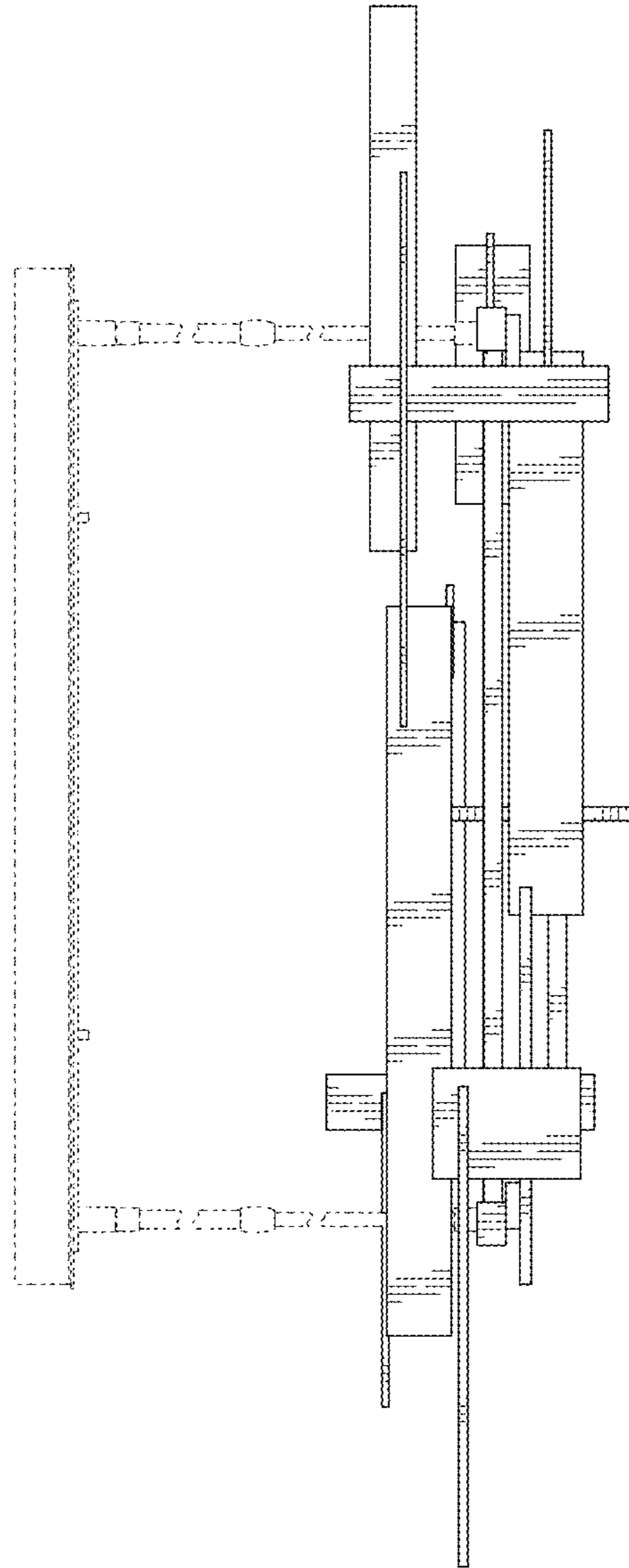


FIG. 3

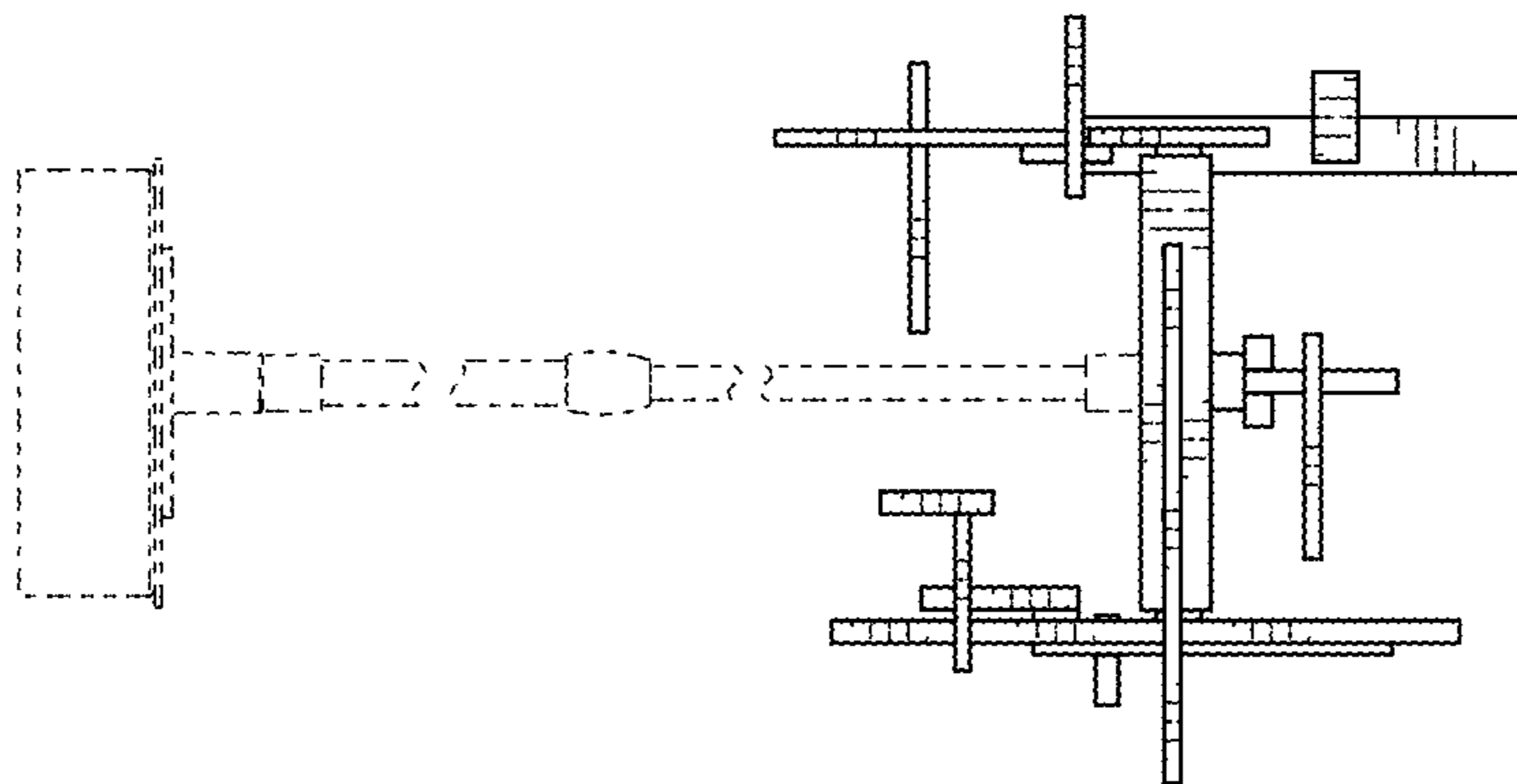


FIG. 4

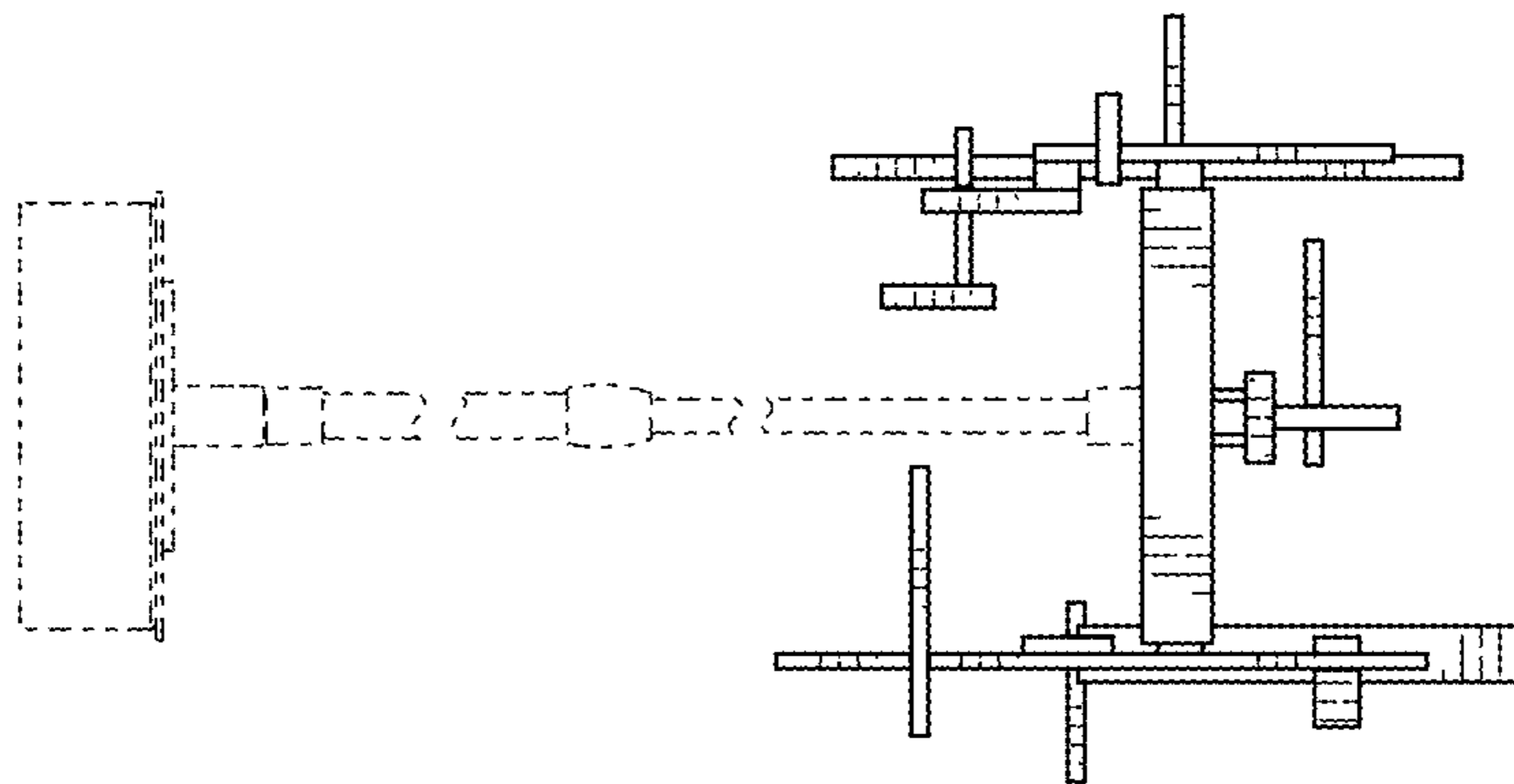


FIG. 5

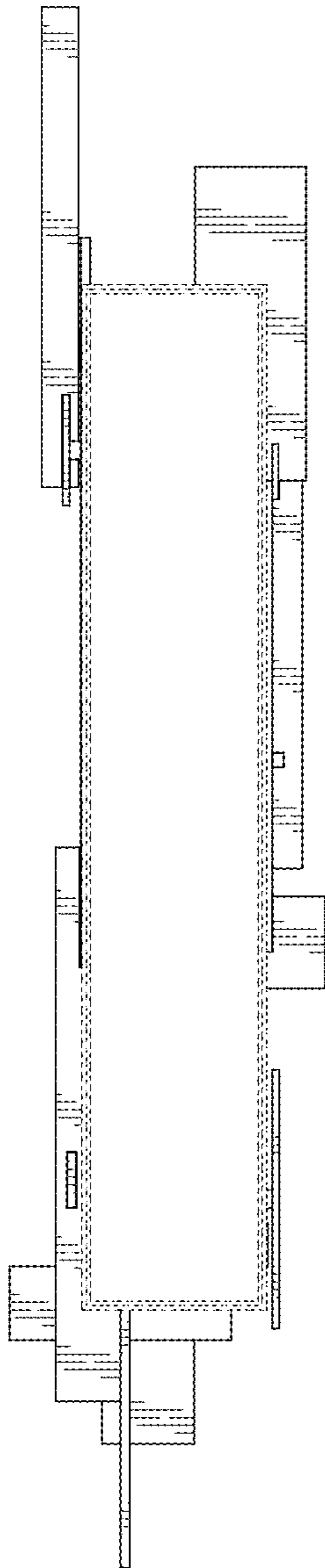


FIG. 6

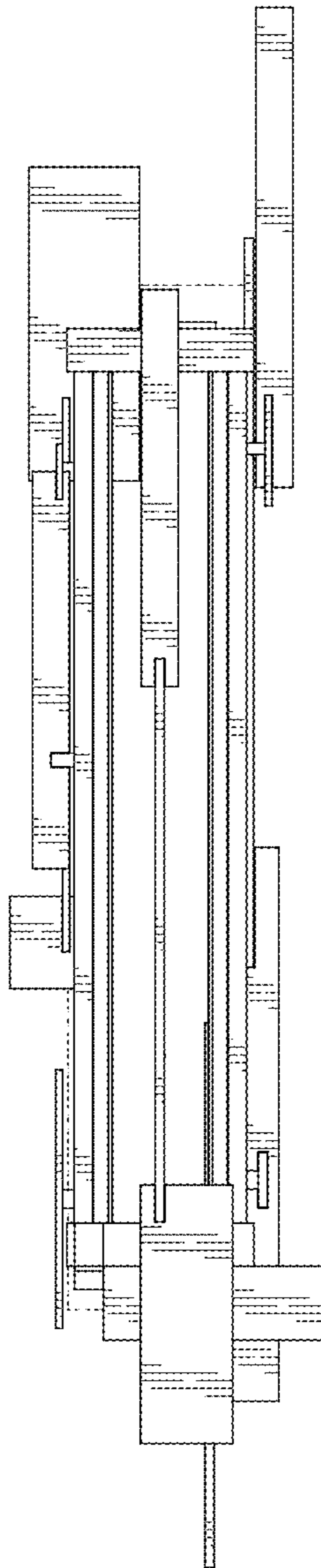


FIG. 7