



US00D777363S

(12) **United States Design Patent**
Galipeau et al.

(10) **Patent No.:** **US D777,363 S**

(45) **Date of Patent:** **** Jan. 24, 2017**

(54) **LUMINAIRE**

(71) Applicant: **PHILIPS LIGHTING HOLDING B.V.**, Eindhoven (NL)

(72) Inventors: **Guy Galipeau**, Boisbriand (CA); **Sergio Jurdana**, Blainville (CA); **Alexandre Plomteux**, Montreal (CA); **Jonathan Hardy**, Laval (CA); **Michel Fortin**, Sainte-Marthe sur Le Lac (CA); **Jean-Francois Duquette**, Kirkland (CA); **David Cavaliere**, Prevost (CA)

(73) Assignee: **PHILIPS LIGHTING HOLDING B.V.**, Eindhoven (NL)

(**) Term: **15 Years**

(21) Appl. No.: **29/551,899**

(22) Filed: **Jan. 18, 2016**

(51) **LOC (10) Cl.** **26-05**

(52) **U.S. Cl.**
USPC **D26/68**

(58) **Field of Classification Search**
USPC D26/63, 67-70; D10/113.2
CPC F21S 8/08; F21S 8/081; F21S 8/083;
F21S 8/088; F21S 9/03; F21S 9/032; F21S 9/035; F21S 9/037; F21W 2131/109; F21W 2111/023; F21V 21/0824
See application file for complete search history.

(56) **References Cited**

U.S. PATENT DOCUMENTS

D284,311 S *	6/1986	Patel	D26/67
D557,851 S *	12/2007	Chen	D26/67
D572,398 S *	7/2008	Zhang	D26/68
D654,201 S *	2/2012	Chen	D26/68
D670,017 S *	10/2012	Tortel	D26/135

D677,413 S *	3/2013	Chen	D26/67
2007/0285912 A1 *	12/2007	Lin	F21S 8/088 362/4
2008/0316747 A1 *	12/2008	Lac	F21V 11/02 362/290
2009/0268453 A1 *	10/2009	Pearse	F21V 7/0025 362/235
2010/0128475 A1 *	5/2010	Kovalchick	F21S 8/088 362/235
2011/0255280 A1 *	10/2011	Chen	F21L 14/00 362/235
2012/0281405 A1 *	11/2012	Roth	F21S 8/088 362/244
2013/0094198 A1 *	4/2013	Lee	F21L 4/00 362/217.05
2013/0094208 A1 *	4/2013	Gill	F21S 8/088 362/235
2013/0208454 A1 *	8/2013	Chen	F21S 9/035 362/183

(Continued)

Primary Examiner — Clare E Heflin

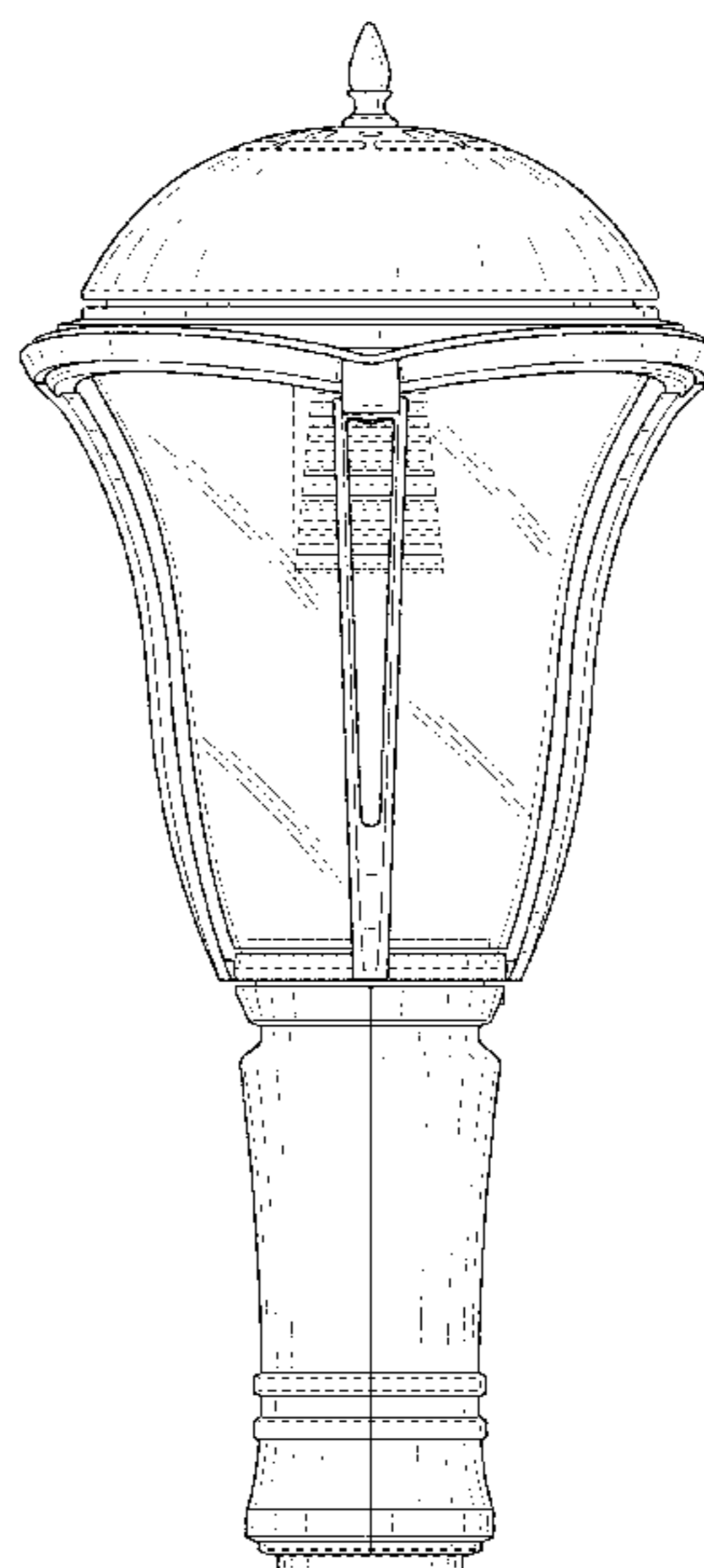
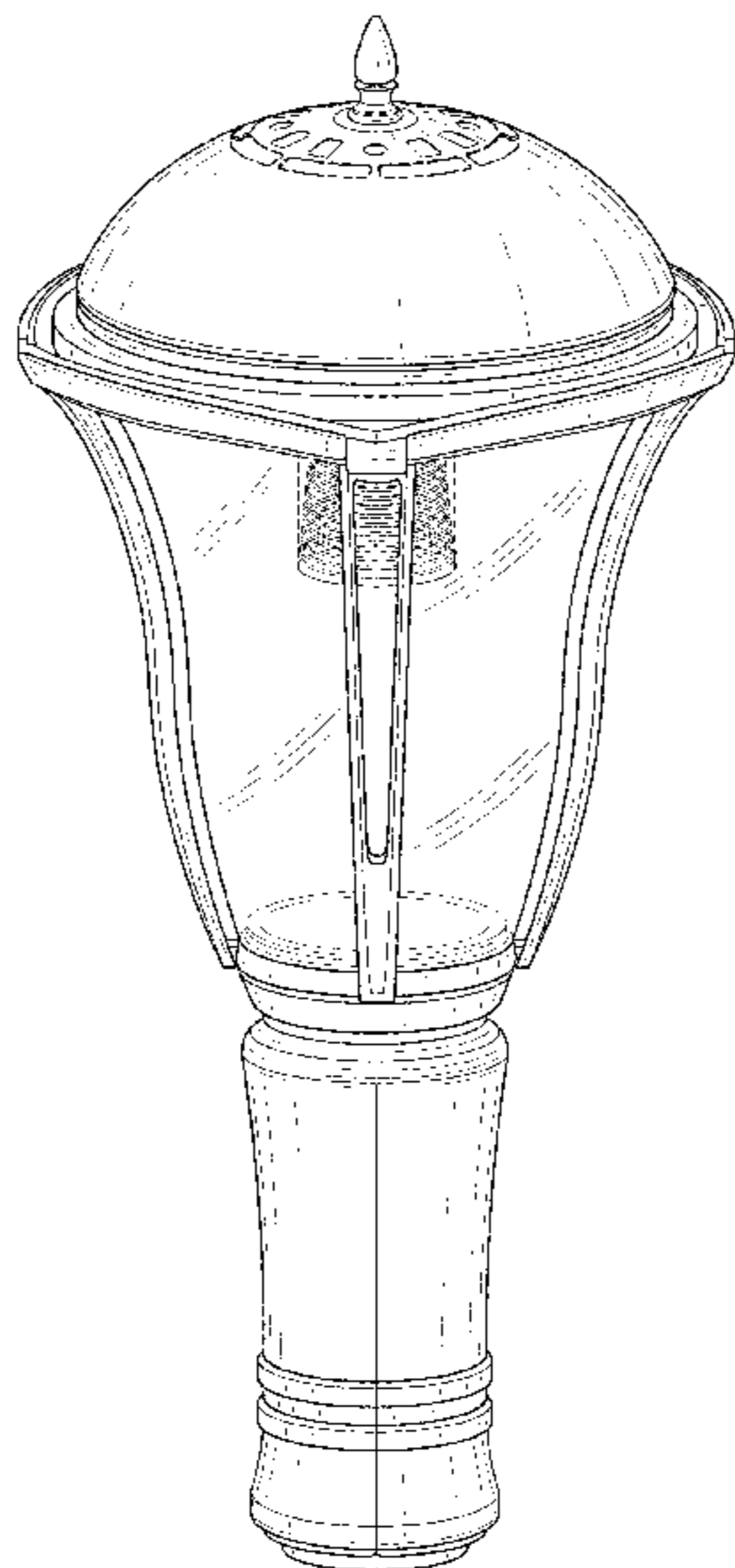
(57) **CLAIM**

The ornamental design for a luminaire, as shown and described.

DESCRIPTION

FIG. 1 is a bottom front perspective view showing my design;
FIG. 2 is top front perspective view thereof;
FIG. 3 is a front elevational view thereof;
FIG. 4 is a rear elevational view thereof;
FIG. 5 is a left side elevational view thereof;
FIG. 6 is a right side elevational view thereof;
FIG. 7 is a top plan view thereof; and,
FIG. 8 is a bottom plan view thereof.
The broken lines shown on the drawings depict portions of the luminaire that form no part of the claimed design.

1 Claim, 7 Drawing Sheets



(56)

References Cited

U.S. PATENT DOCUMENTS

2015/0176812 A1* 6/2015 Xinzhou F21S 9/037
362/183
2015/0211694 A1* 7/2015 Camenzuli F21L 4/08
362/183
2016/0033121 A1* 2/2016 Kovalchick F21V 29/76
362/249.01

* cited by examiner

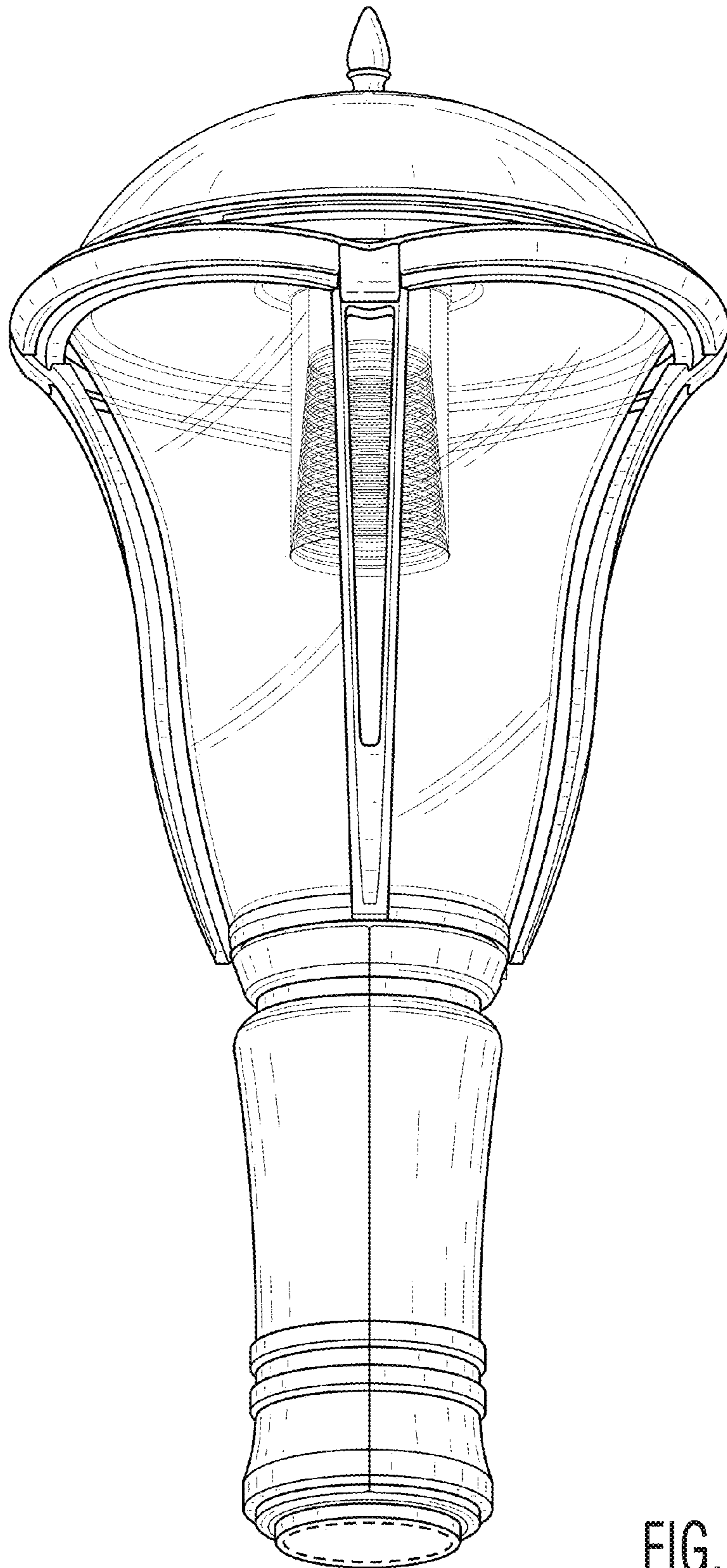


FIG. 1

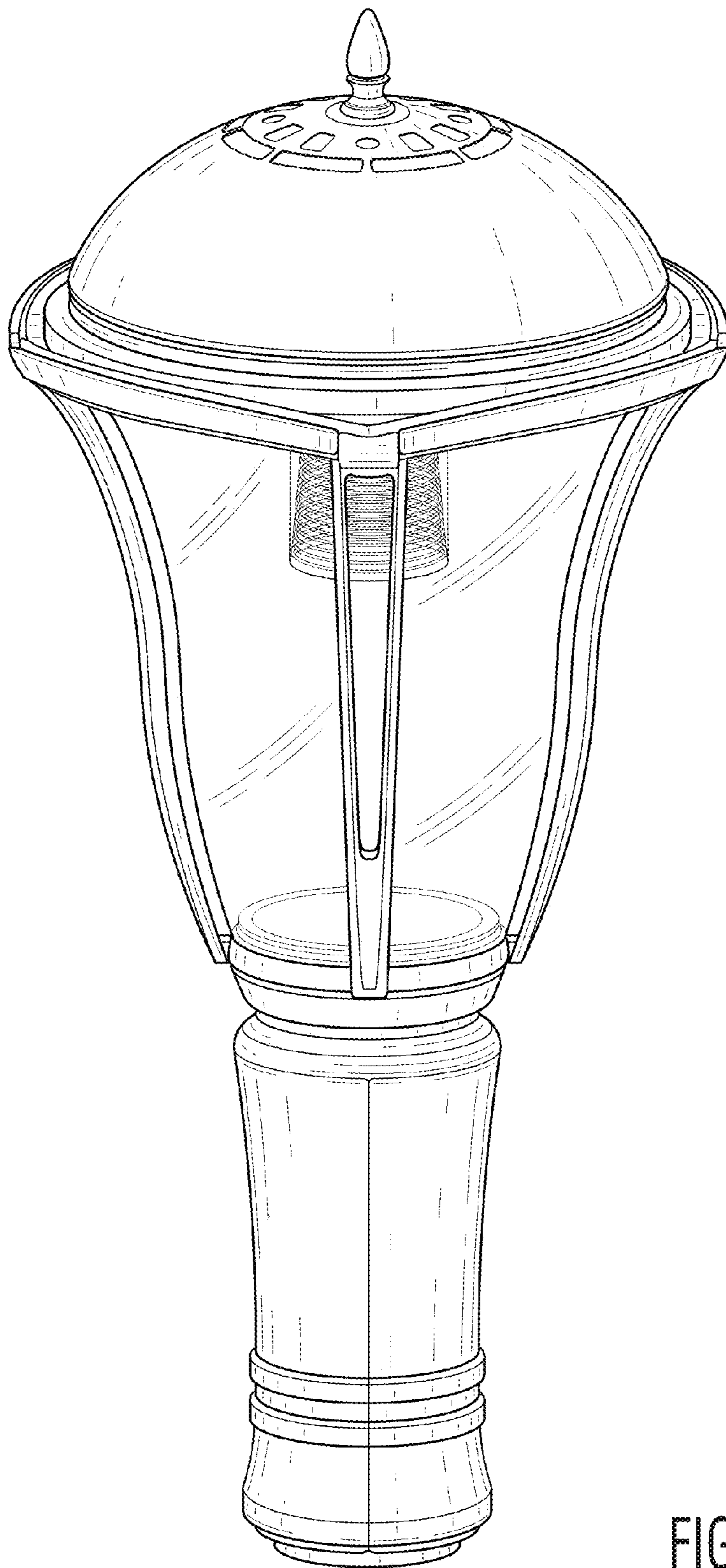


FIG. 2

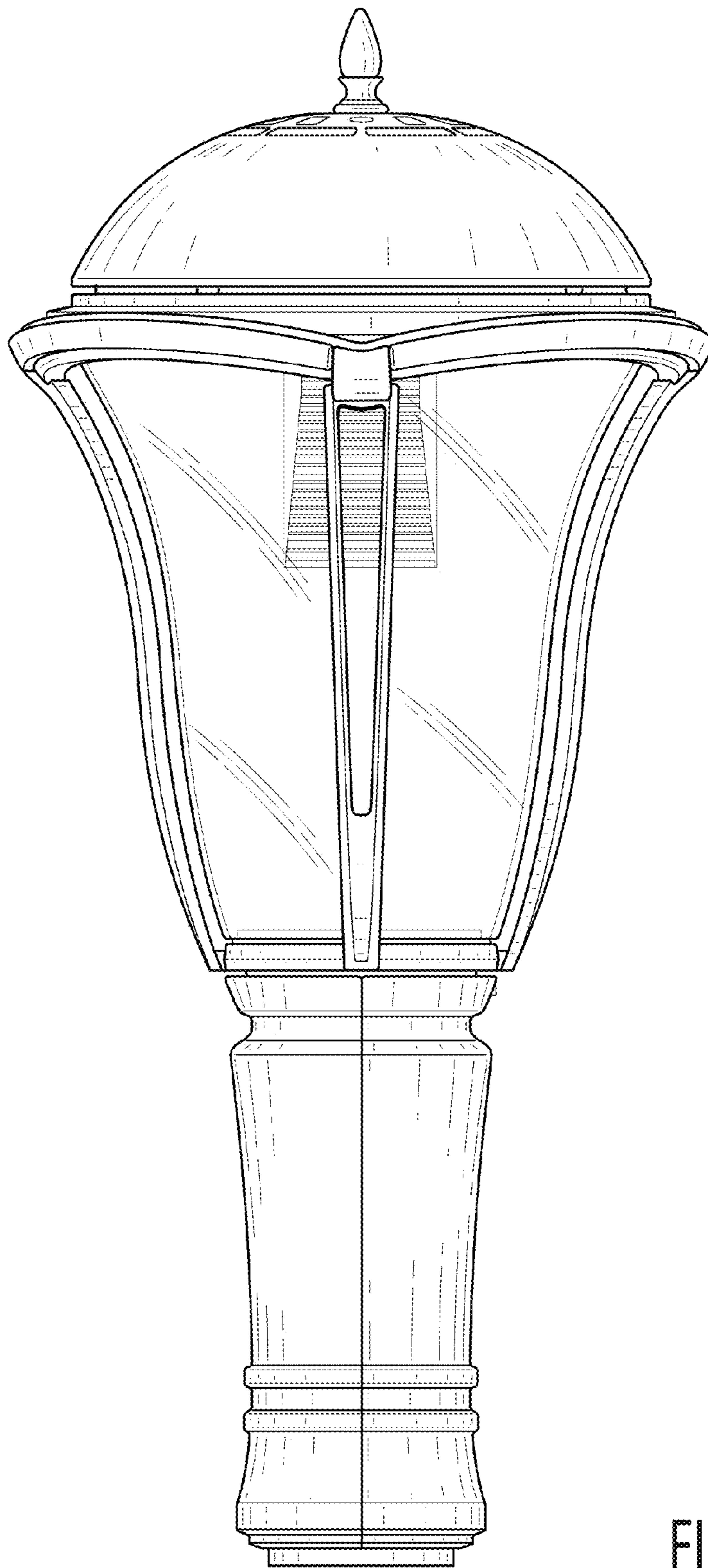


FIG. 3

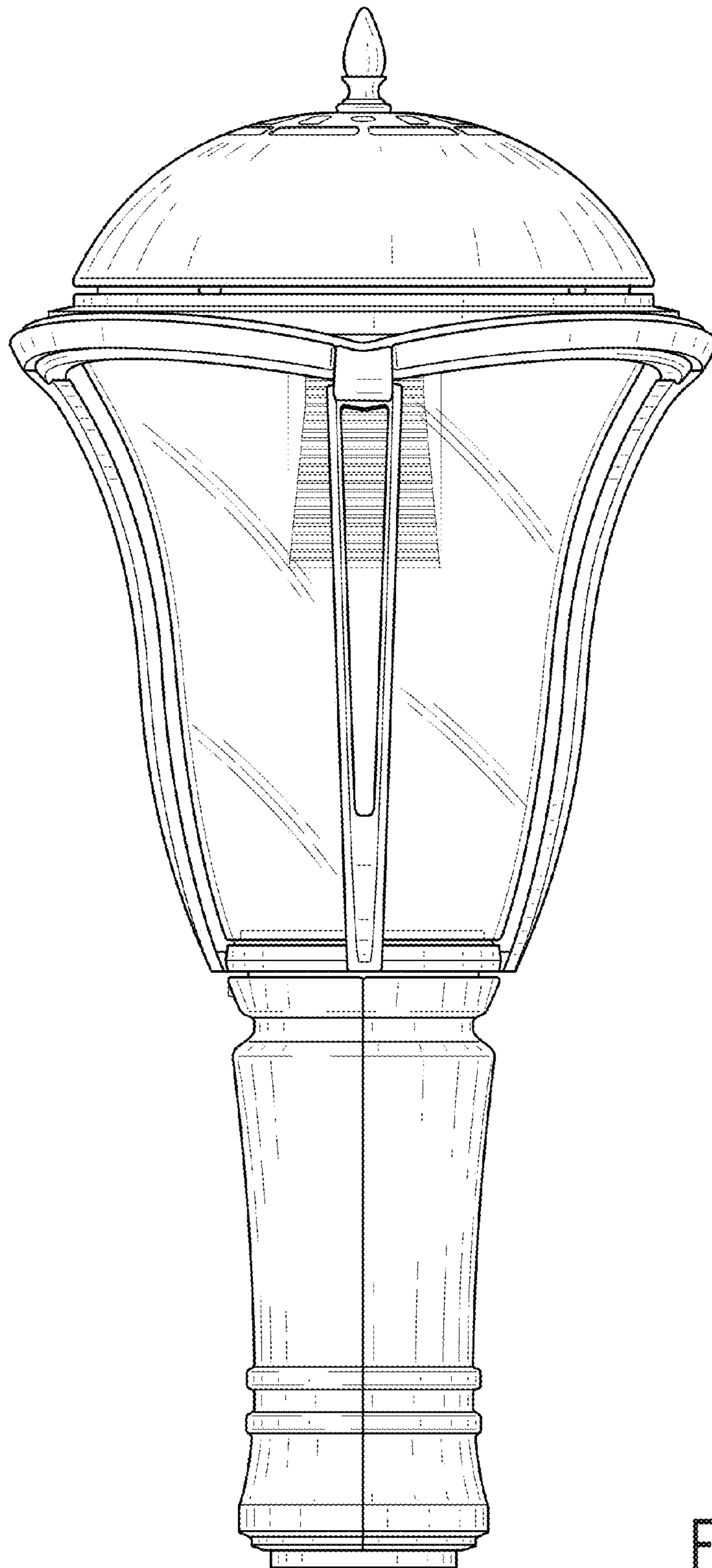


FIG. 4

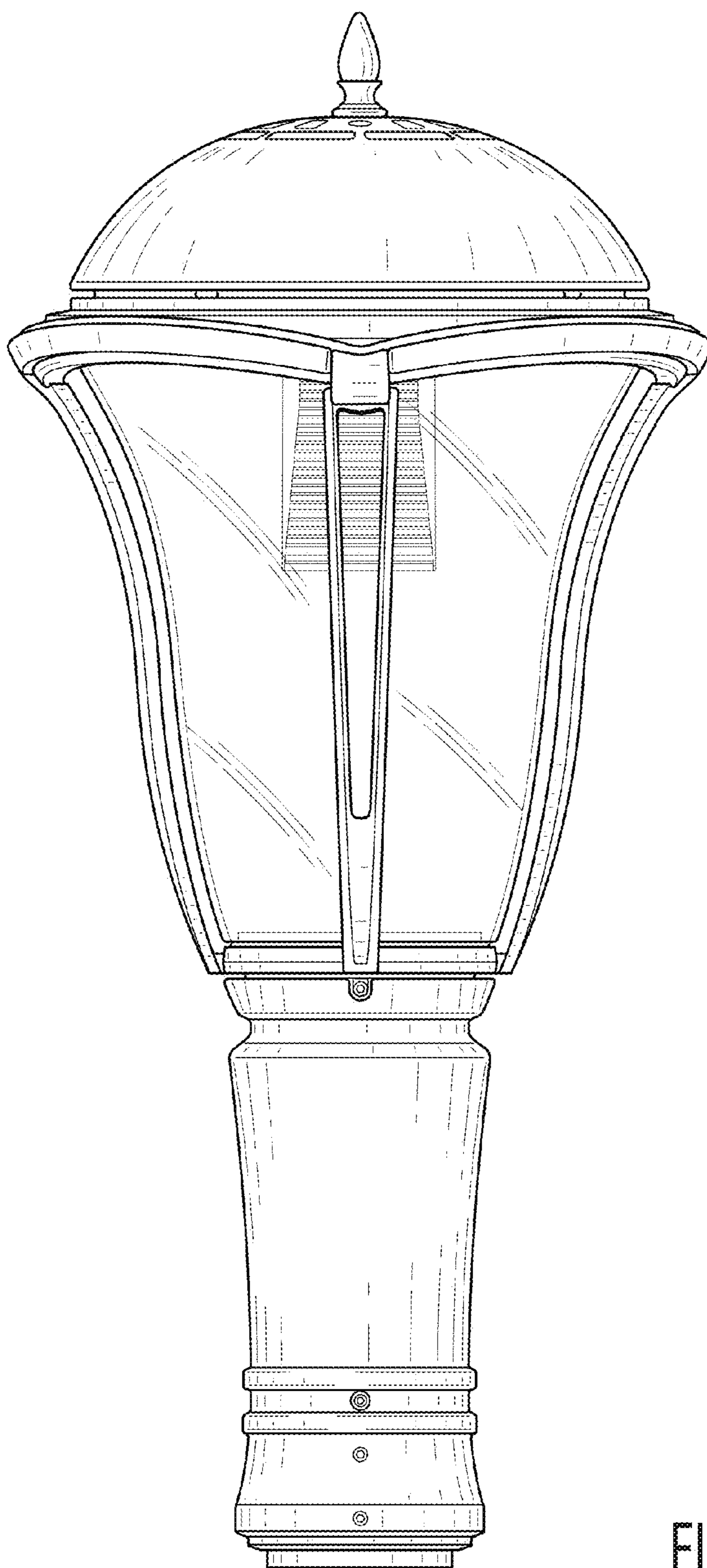


FIG. 5

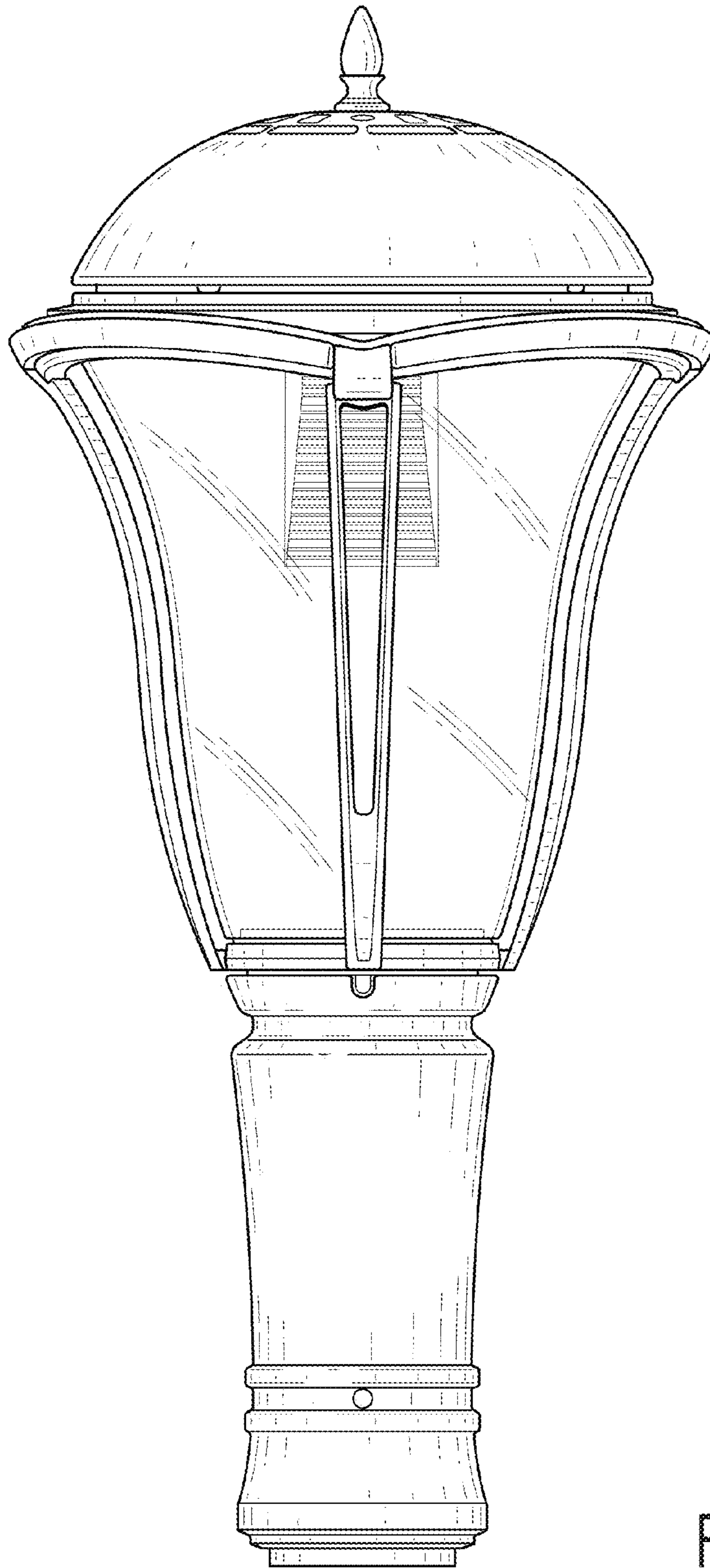


FIG. 6

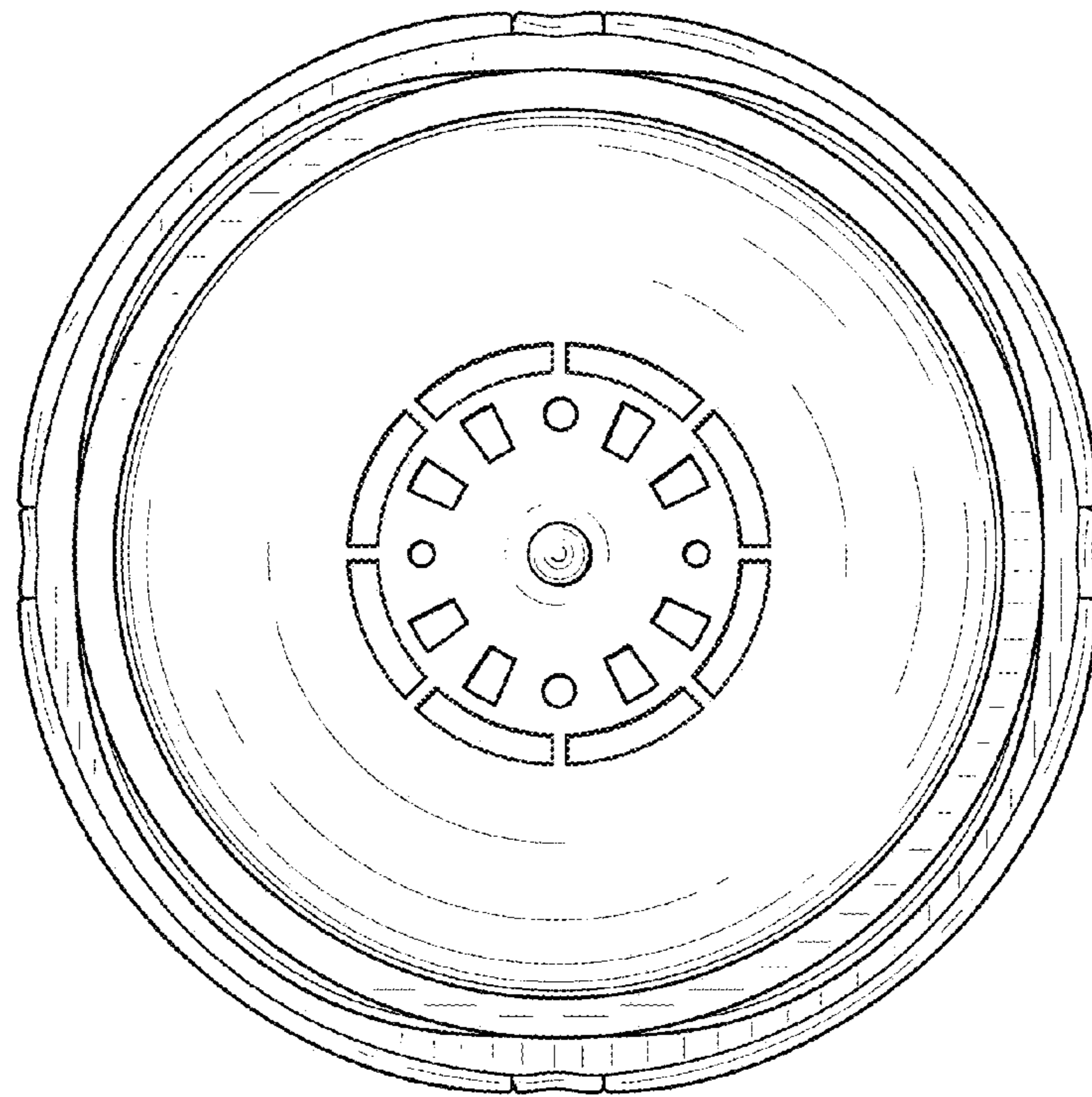


FIG. 7

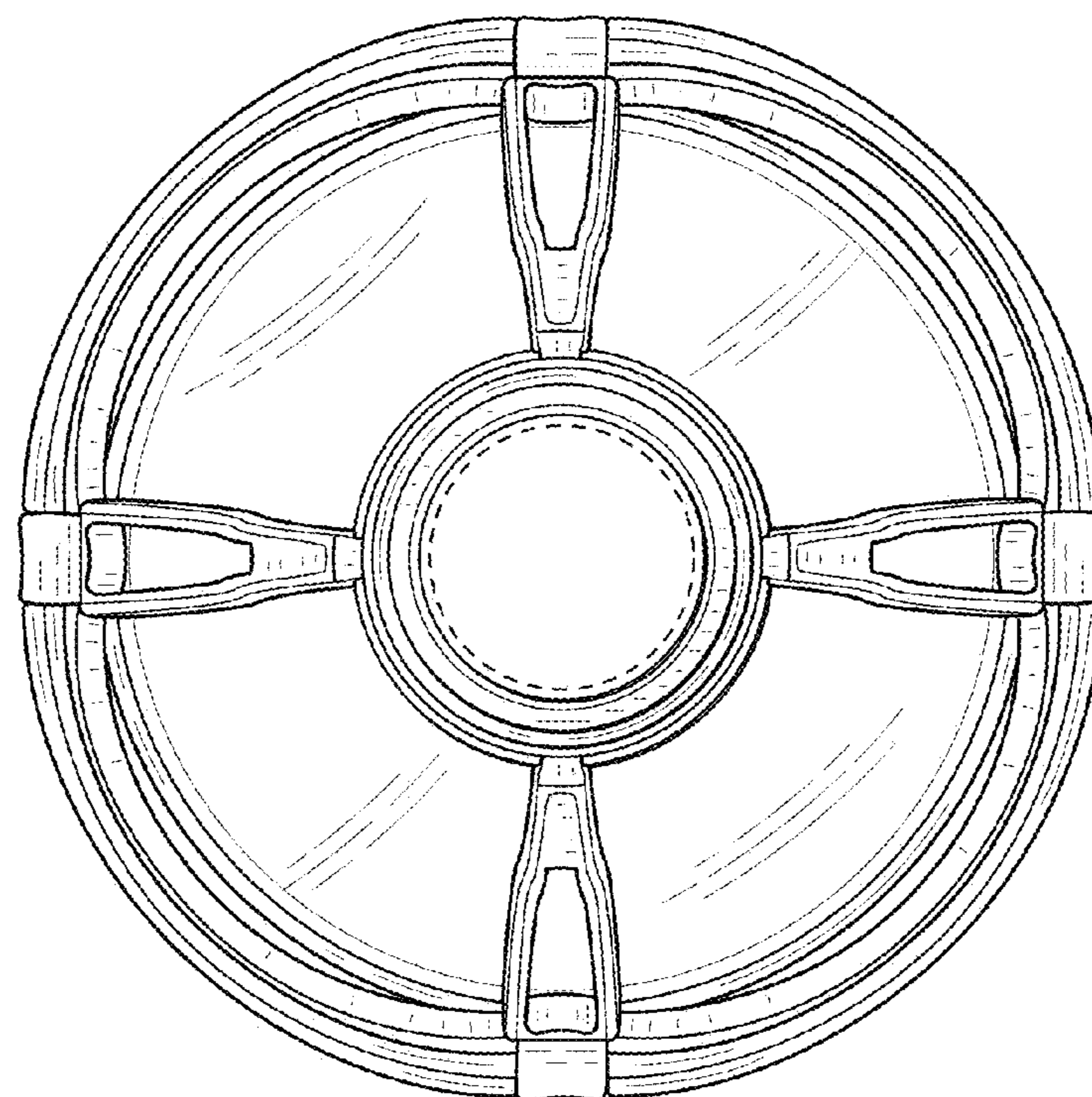


FIG. 8