



US00D777362S

(12) **United States Design Patent** (10) **Patent No.:** **US D777,362 S**
Killion et al. (45) **Date of Patent:** **** Jan. 24, 2017**

(54) **FLASHLIGHT**
(71) Applicant: **Thomas Killion**, Indianapolis, IN (US)
(72) Inventors: **Thomas Killion**, Indianapolis, IN (US);
John Pell, Indianapolis, IN (US)
(73) Assignee: **Thomas Killion**, Indianapolis, IN (US)
(**) Term: **14 Years**
(21) Appl. No.: **29/441,144**
(22) Filed: **Jan. 1, 2013**
(51) **LOC (10) Cl.** **26-02**
(52) **U.S. Cl.**
USPC **D26/46**
(58) **Field of Classification Search**
USPC D26/46, 51, 113, 37; 362/157, 158, 183,
362/184, 194-196, 200-208
CPC F21V 33/00; F21V 14/025; F21V 21/406;
F21Y 2101/02; F21L 17/00; F21L 13/08;
F21L 2001/00; F21L 14/02
See application file for complete search history.

D522,743 S * 6/2006 Lui D3/207
7,101,102 B2 9/2006 Sawa
D541,964 S * 5/2007 Tseng D26/51
D542,952 S * 5/2007 Bhavnani D26/37
D543,297 S * 5/2007 Osiecki et al. D26/37
7,226,229 B1 6/2007 Register
D552,276 S * 10/2007 Shaljian D26/37
D580,078 S 11/2008 Lee
D587,449 S * 3/2009 Oksanen D3/207
D593,693 S * 6/2009 Adamany et al. D26/37
D594,148 S * 6/2009 Heselden D26/37
D602,186 S * 10/2009 Lee D26/37
D615,676 S 5/2010 Lee
D627,497 S 11/2010 Jiang
D636,509 S 4/2011 Killion et al.
D636,510 S 4/2011 Killion et al.
D657,650 S * 4/2012 Rubin D26/38

(Continued)

Primary Examiner — Ian Simmons
Assistant Examiner — Carissa C Fitts
(74) *Attorney, Agent, or Firm* — E. Victor Indiano;
Indiano & McConnell, LLC

(57) **CLAIM**

The ornamental design for a flashlight, as shown and described.

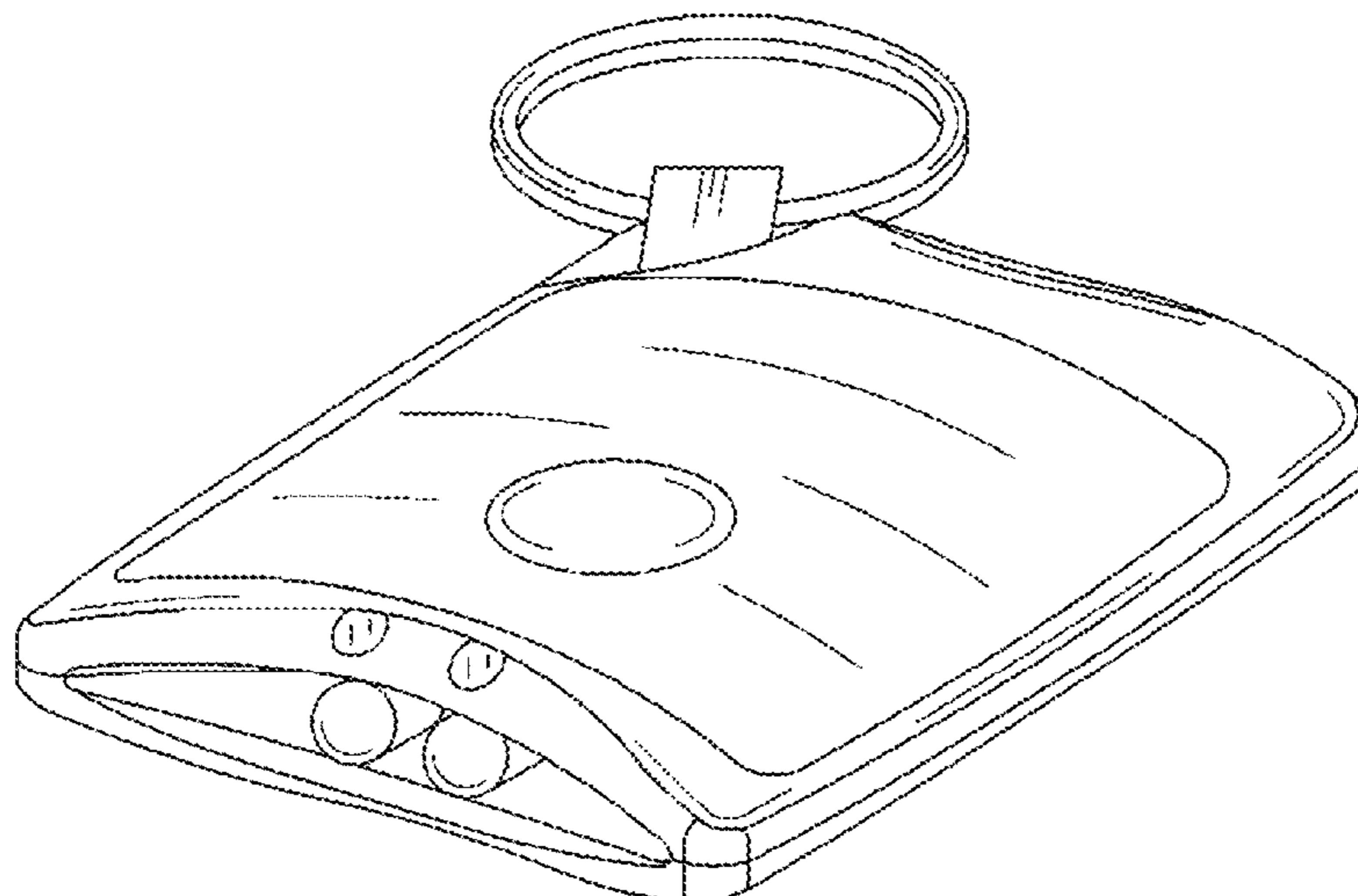
DESCRIPTION

FIG. 1 is a perspective view of a flashlight of the present invention showing the top, front and left sides thereof; FIG. 2 is a perspective view of the flashlight of the present invention featuring the bottom, left and rear sides thereof; FIG. 3 a top view of the flashlight of FIG. 1; FIG. 4 is a bottom view thereof; FIG. 5 is a front view thereof; FIG. 6 is a rear view thereof; FIG. 7 is a left side view thereof; and, FIG. 8 is a right side view thereof.

1 Claim, 6 Drawing Sheets

(56) **References Cited**
U.S. PATENT DOCUMENTS

2,584,569	A	2/1952	Frenzel	
2,870,741	A	1/1959	Kersten	
2,978,723	A	4/1961	Hopkins	
4,168,129	A	9/1979	Herrring	
4,176,979	A	12/1979	Saida	
4,381,158	A	4/1983	Garganese	
5,457,613	A	10/1995	Vandenbelt et al.	
D390,678	S *	2/1998	Matthes	D26/37
D402,067	S *	12/1998	Sinclair	D26/37
D475,195	S *	6/2003	Christianson	D3/209
D496,479	S *	9/2004	Ashfield	D26/37
D505,782	S *	6/2005	Chen	D3/209
D514,241	S *	1/2006	Franks et al.	D26/38



(56)

References Cited

U.S. PATENT DOCUMENTS

D661,889	S	*	6/2012	Wu	D3/207
D699,376	S	*	2/2014	Kim	D26/37
D728,837	S	*	5/2015	Ormsbee	D26/38
D729,425	S	*	5/2015	Wright	D26/37
2003/0137833	A1	*	7/2003	Hsu	A44B 15/005 362/196
2005/0231941	A1		10/2005	Huang		
2006/0171762	A1		8/2006	Mayne		
2008/0095568	A1		4/2008	Hsien		
2008/0101847	A1		5/2008	Lapstun et al.		
2010/0110670	A1		5/2010	Werth et al.		
2010/0157581	A1		6/2010	Galli		

* cited by examiner

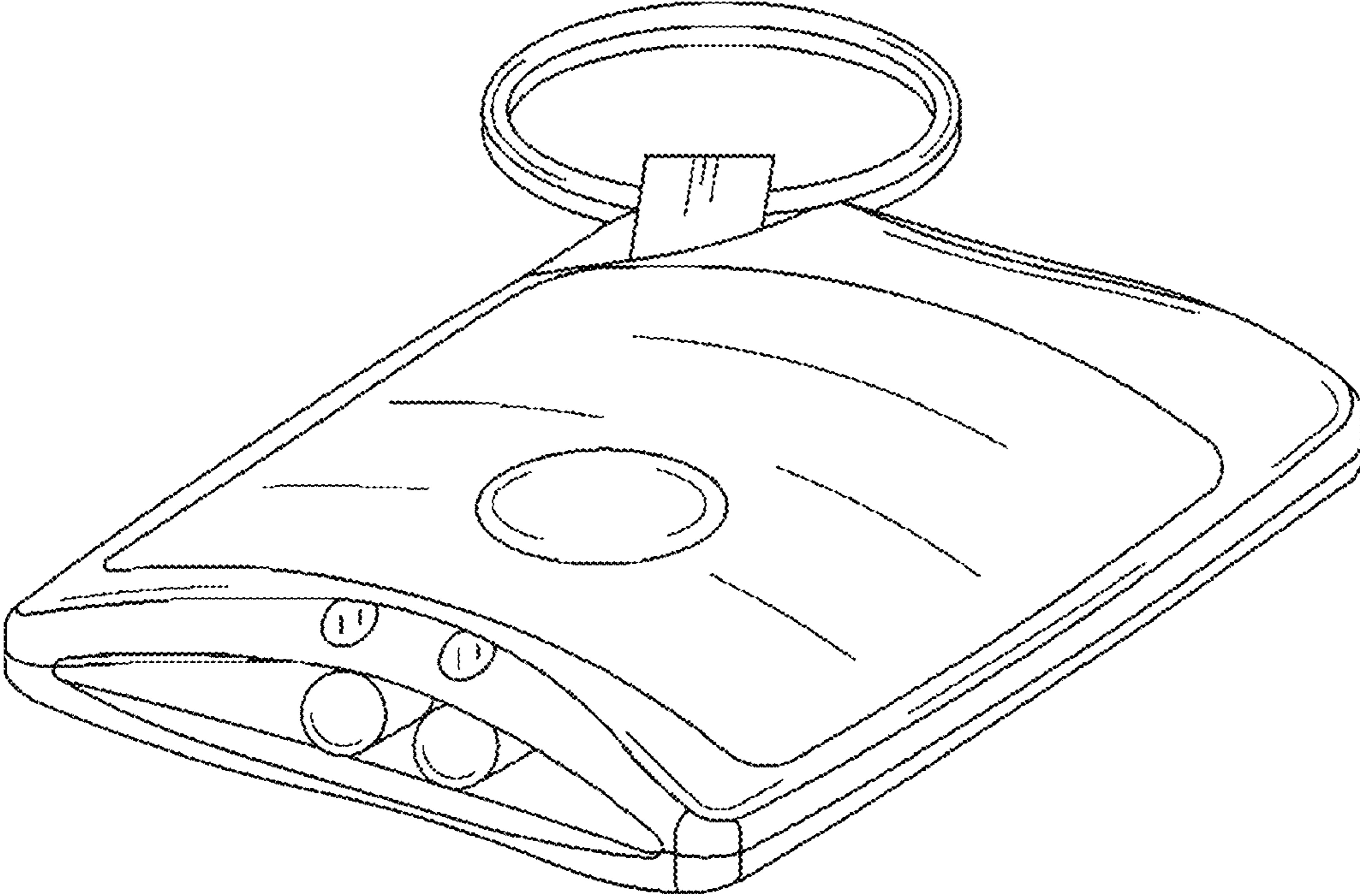


Fig. 1

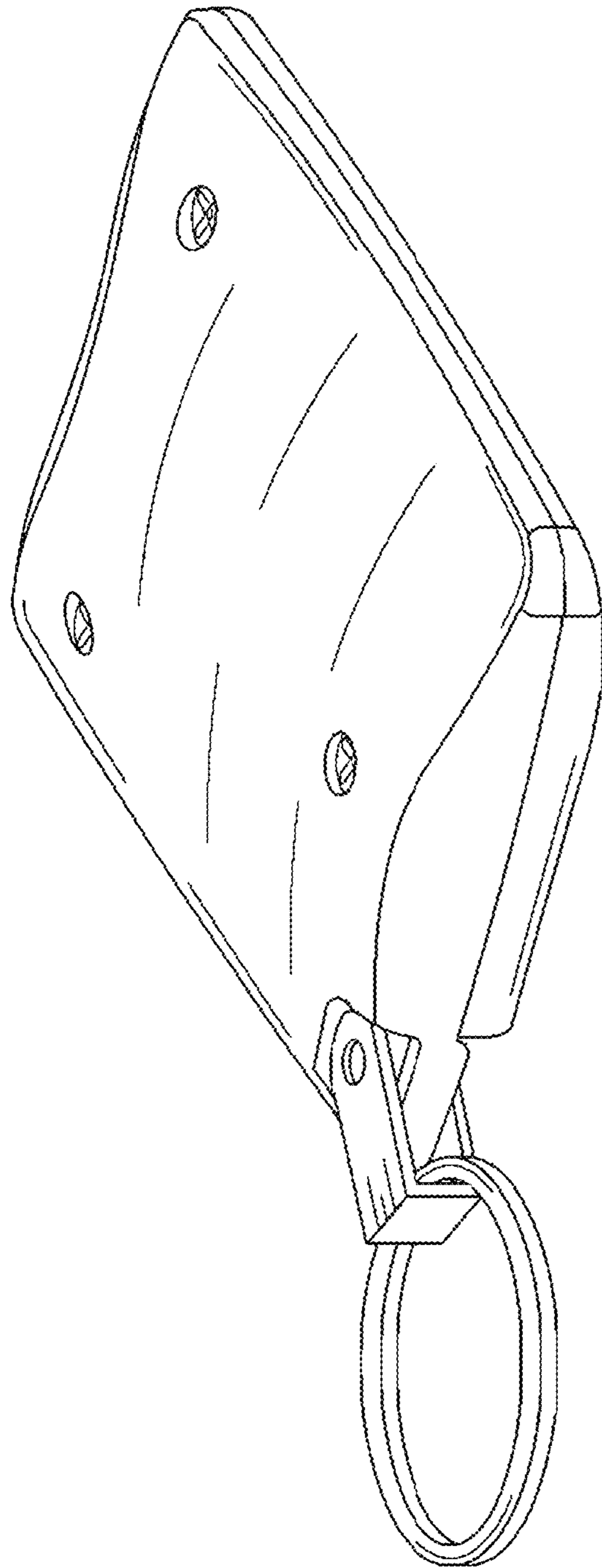


Fig. 2

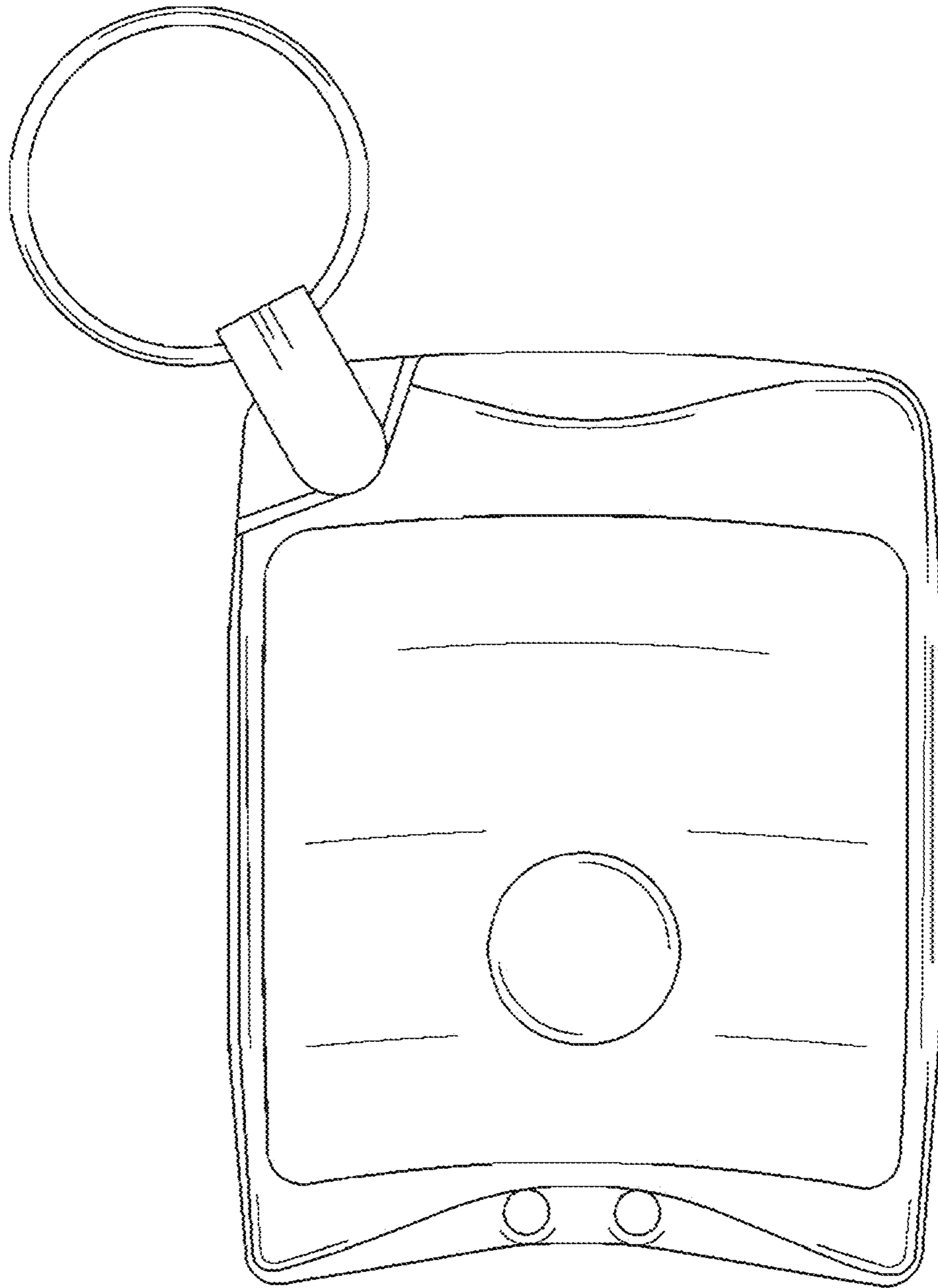


Fig. 3

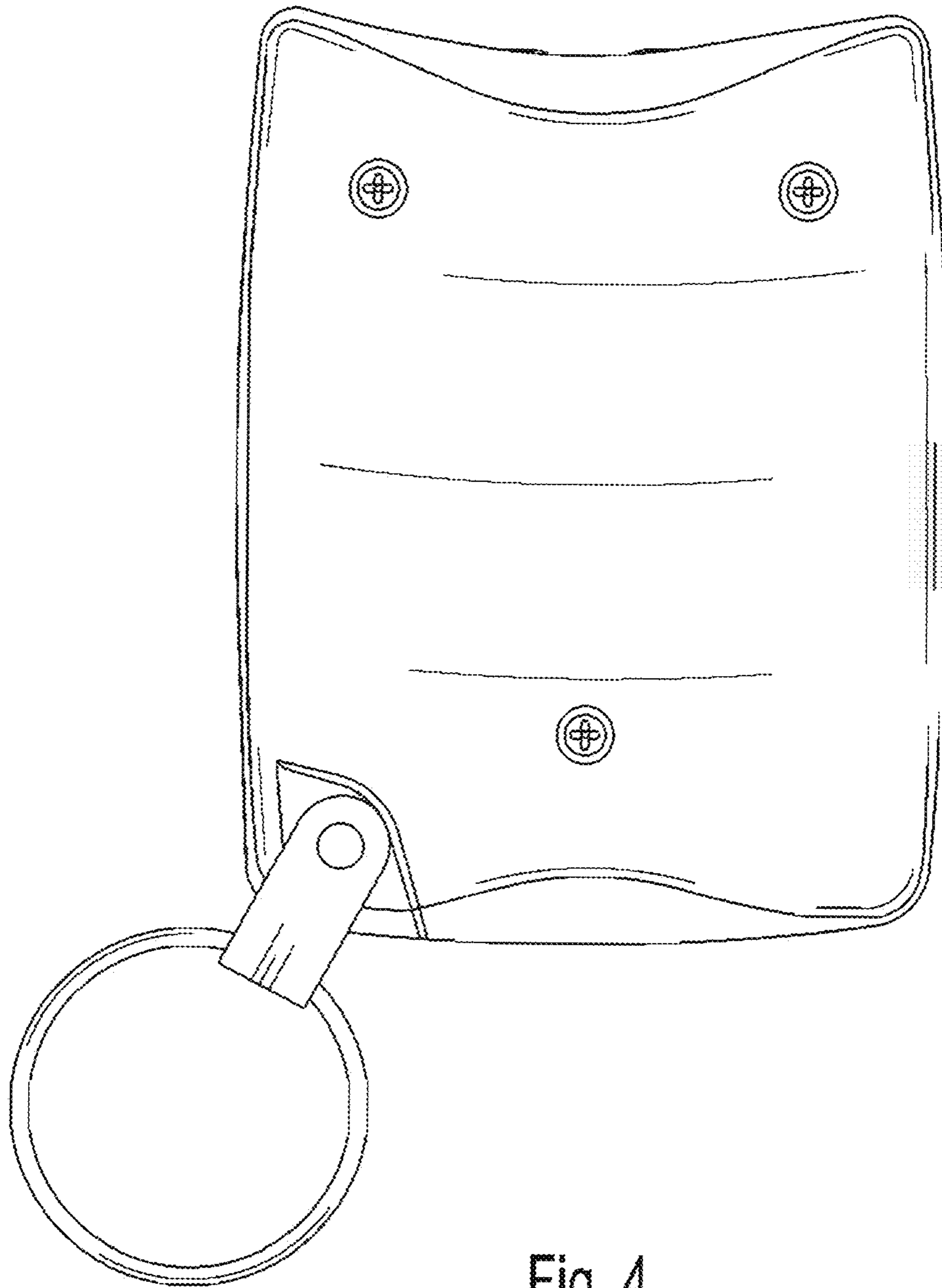


Fig. 4

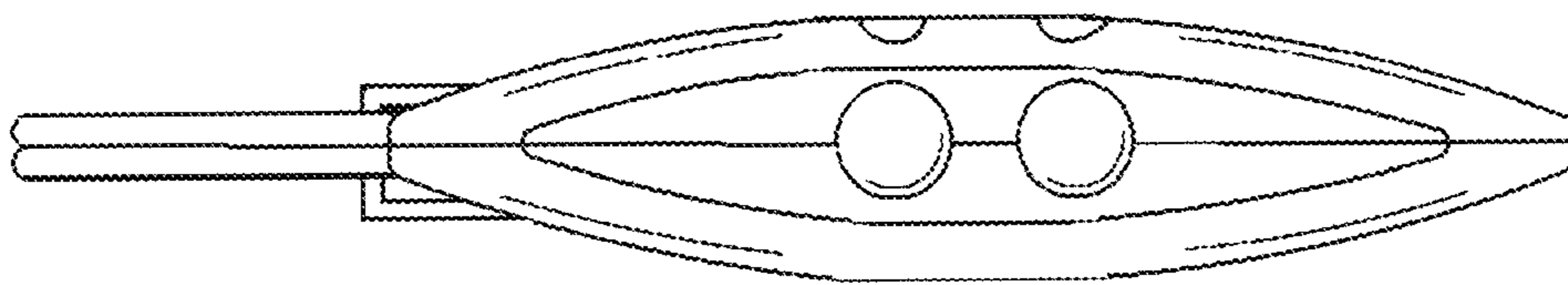


Fig. 5

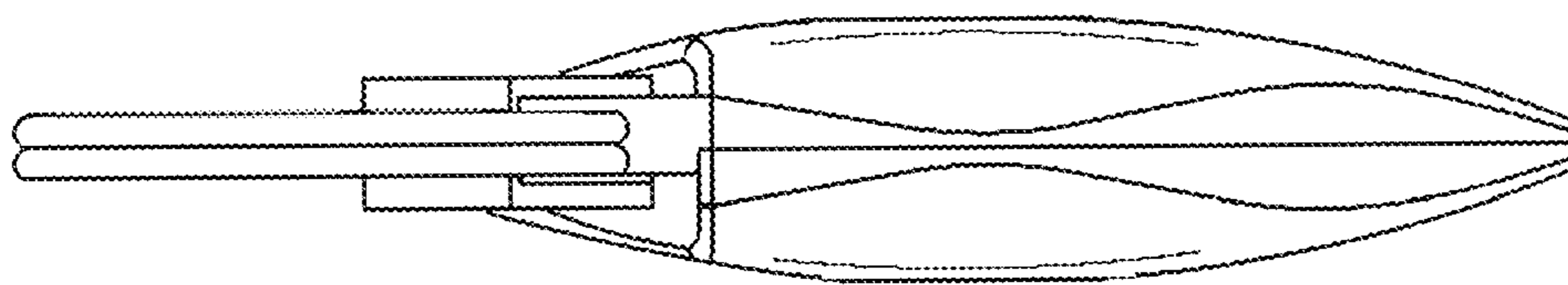


Fig. 6

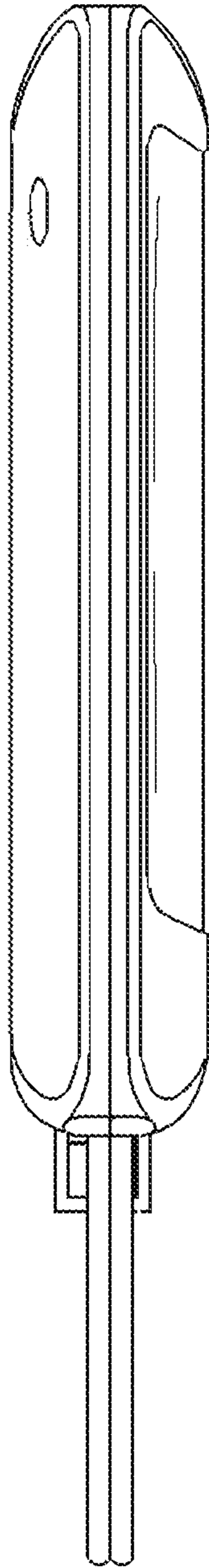


Fig. 7

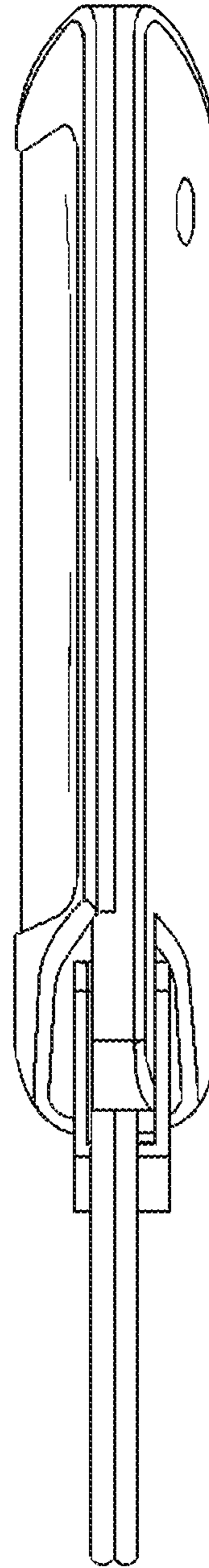


Fig. 8