



US00D777350S

(12) **United States Design Patent**
Moss et al.

(10) **Patent No.:** **US D777,350 S**
(45) **Date of Patent:** **** Jan. 24, 2017**

- (54) **LADDER**
- (71) Applicant: **Wing Enterprises, Incorporated**,
Springville, UT (US)
- (72) Inventors: **N. Ryan Moss**, Mapleton, UT (US);
Benjamin L. Cook, Provo, UT (US);
Sean R. Peterson, Santaquin, UT (US)
- (73) Assignee: **Wing Enterprises, Inc.**, Springville,
UT (US)
- (**) Term: **14 Years**

5,722,507 A	3/1998	Kain	
6,364,057 B1 *	4/2002	Cornejo E06C 7/14 182/106
6,779,632 B1 *	8/2004	Parks, III E06C 1/39 182/200
D548,364 S *	8/2007	Skubic D25/64
D554,771 S *	11/2007	Skubic D25/64
7,931,123 B2	4/2011	Moldthan et al.	
2007/0193828 A1 *	8/2007	Astor E06C 1/39 182/129
2007/0193829 A1 *	8/2007	Astor E06C 7/14 182/129
2008/0029339 A1	2/2008	Yewer	

(Continued)

- (21) Appl. No.: **29/501,490**
- (22) Filed: **Sep. 4, 2014**
- (51) **LOC (10) Cl.** **25-04**
- (52) **U.S. Cl.**
USPC **D25/64**
- (58) **Field of Classification Search**
USPC D25/62-69; 182/156, 152, 162, 112, 113,
182/215, 220, 120, 106, 23, 26, 115, 129,
182/201, 207, 103, 245, 2.11, 102, 151,
182/107, 21, 180.1, 194, 130, 132, 67.4,
182/157, 161, 230
CPC E06C 1/393; E06C 1/387; E06C 1/39;
E06C 1/383; E06C 1/32; E06C 7/14
See application file for complete search history.

OTHER PUBLICATIONS

Design U.S. Appl. No. 29/501,487, filed Sep. 4, 2014.
Design U.S. Appl. No. 29/501,501, filed Sep. 4, 2014.
Design U.S. Appl. No. 29/501,506, filed Sep. 4, 2014.

Primary Examiner — Cynthia Ramirez
Assistant Examiner — Gino Colan
(74) *Attorney, Agent, or Firm* — Holland & Hart, LLP

(57) **CLAIM**

The ornamental design for a ladder, as shown and described.

DESCRIPTION

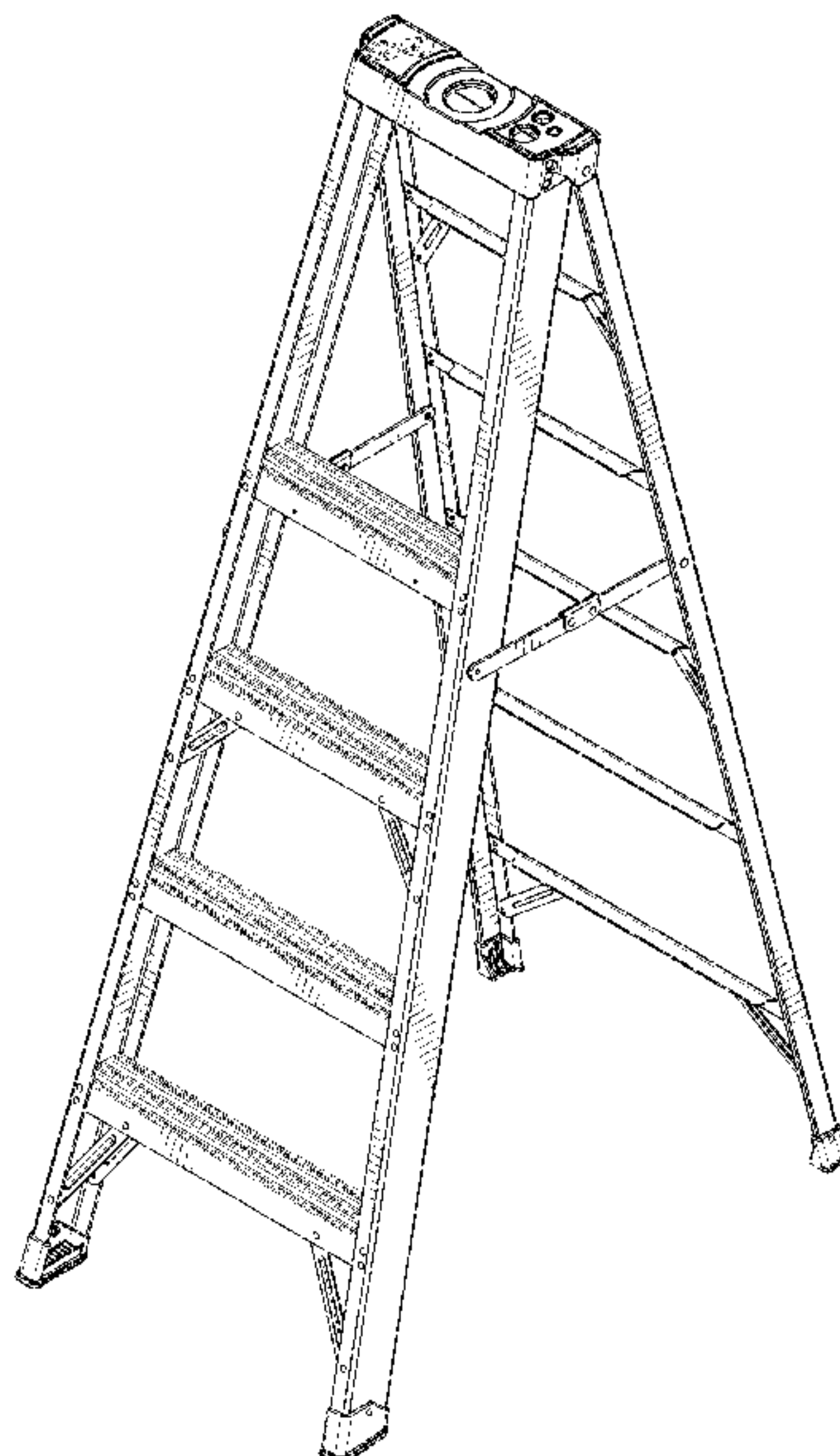
FIG. 1 is a perspective view of a ladder showing an embodiment of the design;
FIG. 2 is a front view of the ladder shown in FIG. 1;
FIG. 3 is a rear view of the ladder shown in FIG. 1;
FIG. 4 is a left side view of the ladder shown in FIG. 1;
FIG. 5 is a right side view of the ladder shown in FIG. 1; and,
FIG. 6 is a top view of the ladder shown in FIG. 1.
The broken lines in the drawings are included for the purpose of illustrating portions of the ladder and form no part of the claimed design.

(56) **References Cited**

U.S. PATENT DOCUMENTS

1,935,349 A *	11/1933	Breslow E06C 1/32 182/178.4
2,109,886 A	3/1938	Lewis	
4,011,926 A	3/1977	Larson et al.	
4,027,741 A *	6/1977	Derrick E06C 1/32 16/267
4,079,814 A	3/1978	Larson	
4,332,308 A	6/1982	Larson	

1 Claim, 6 Drawing Sheets



(56)

References Cited

U.S. PATENT DOCUMENTS

2010/0116592 A1* 5/2010 Clements E06C 1/39
182/180.1
2014/0332316 A1* 11/2014 Tiber E06C 7/14
182/129

* cited by examiner

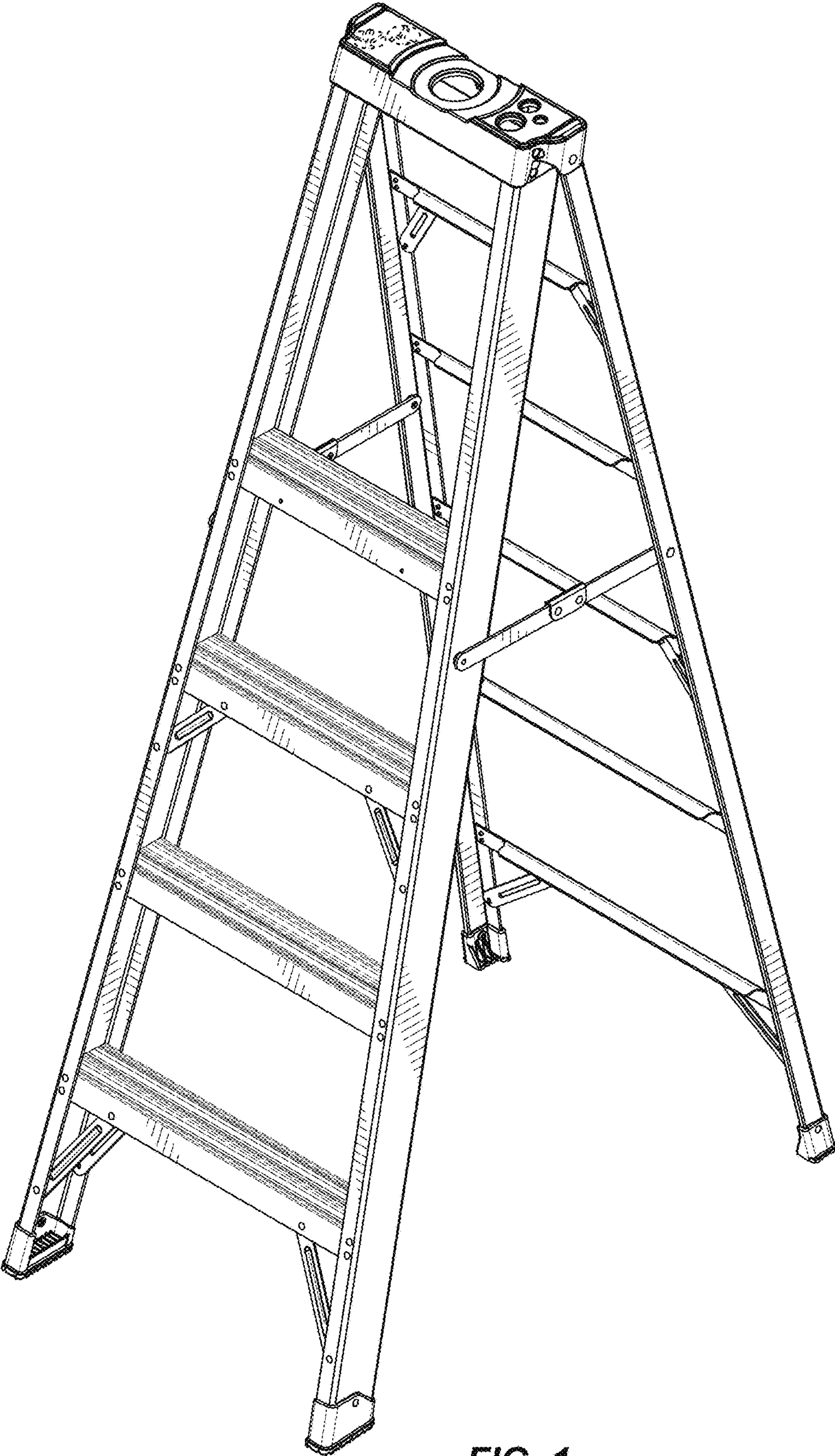


FIG. 1

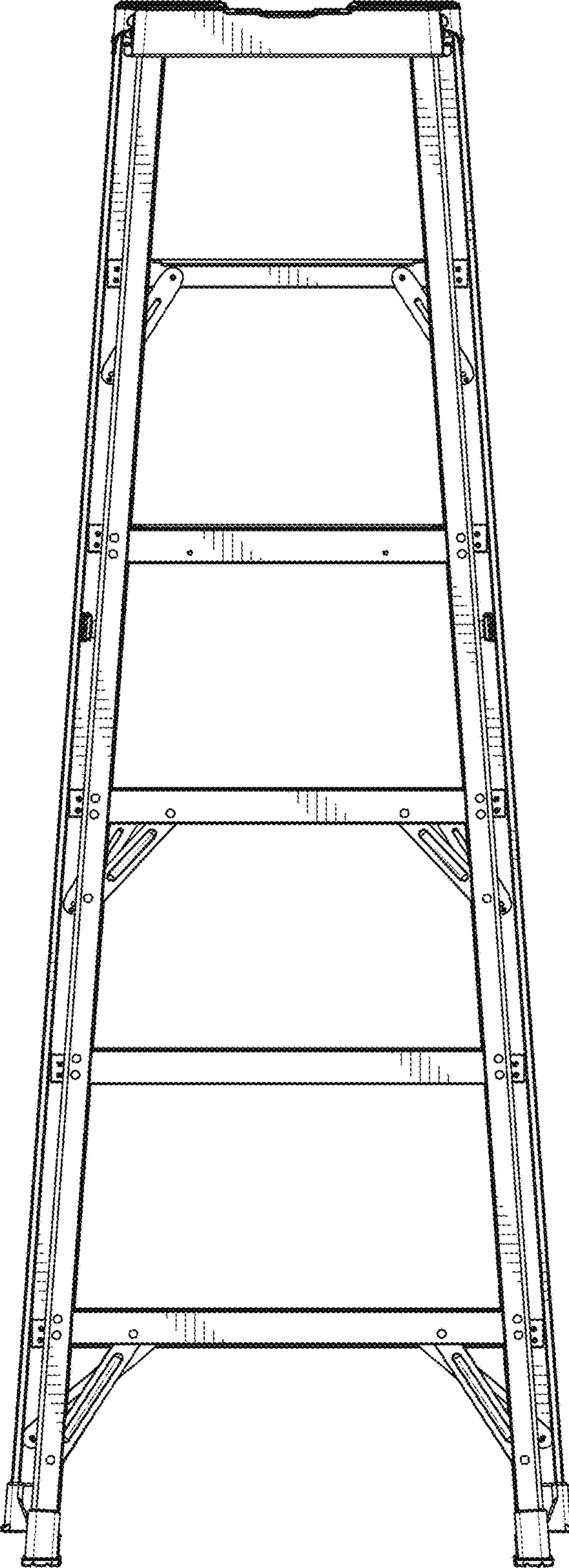


FIG. 2

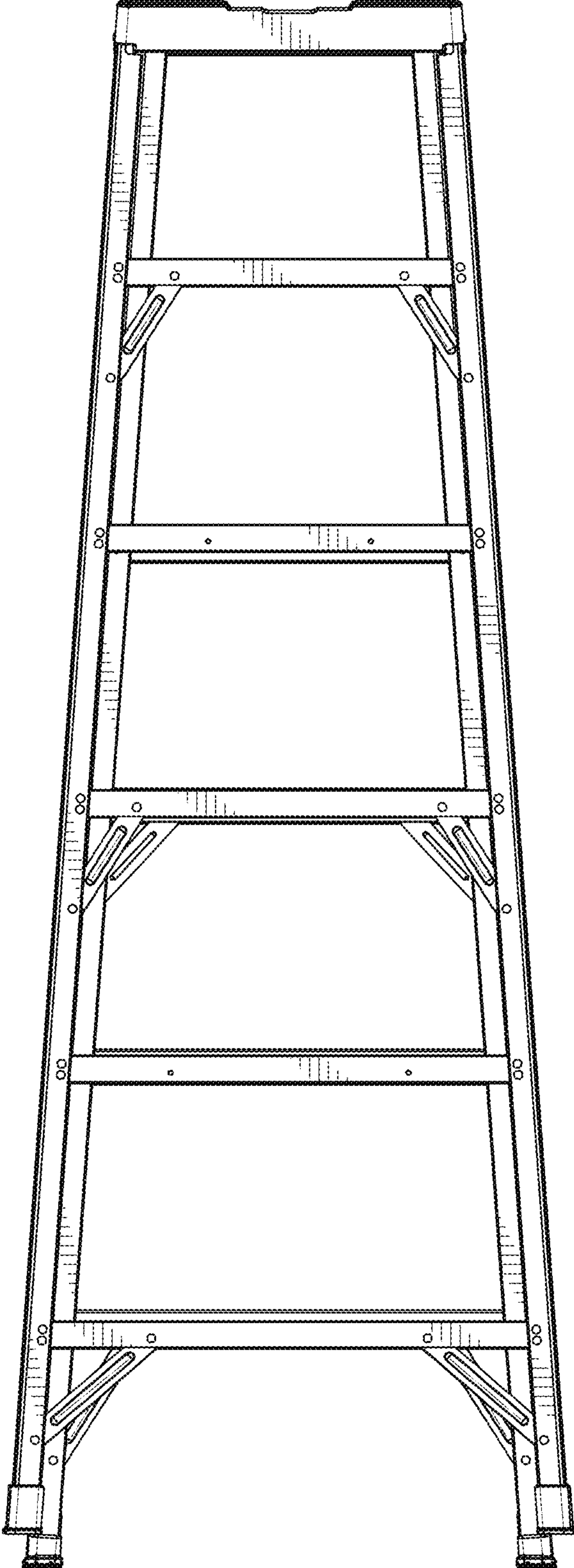


FIG. 3

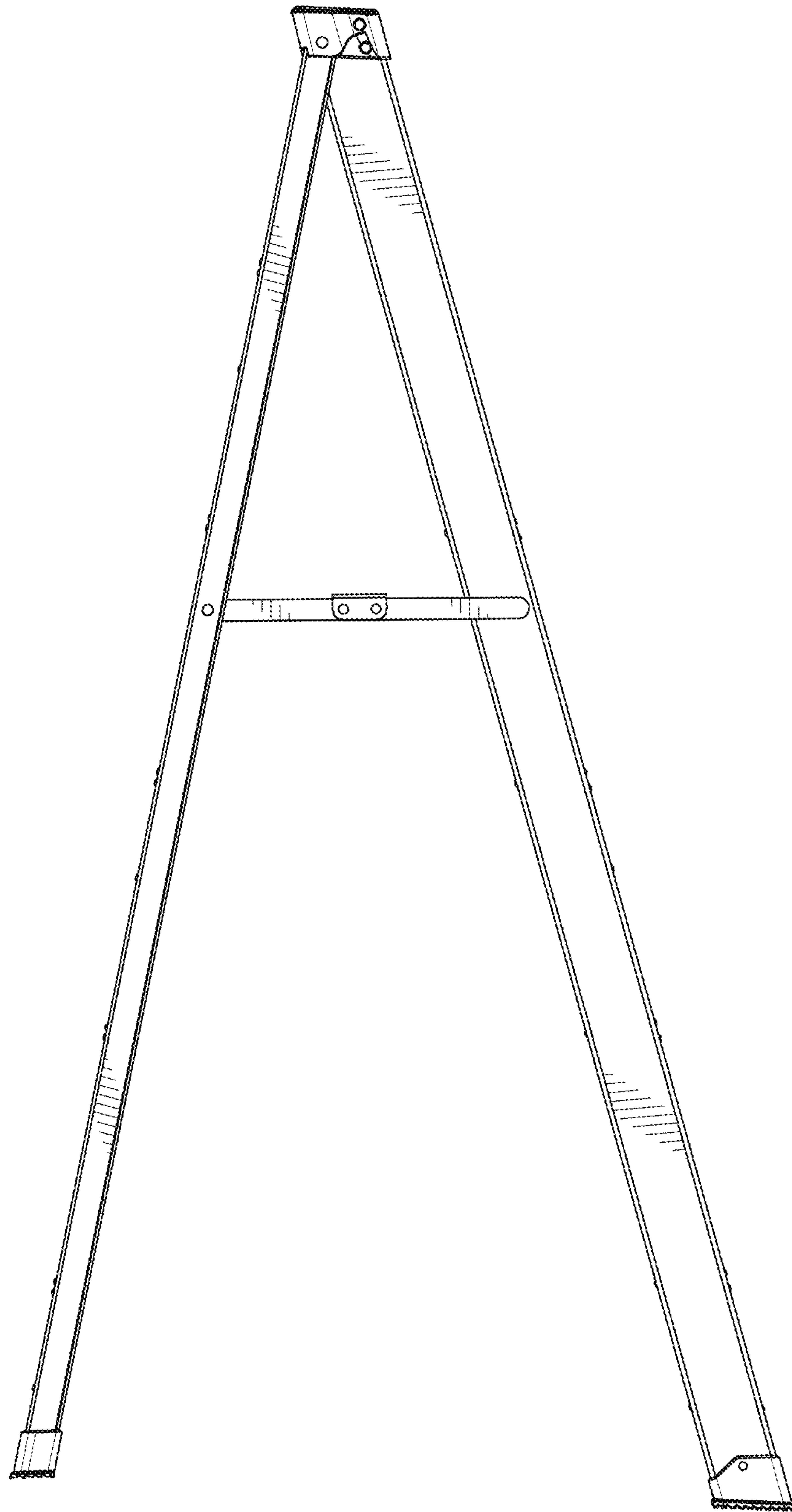


FIG. 4

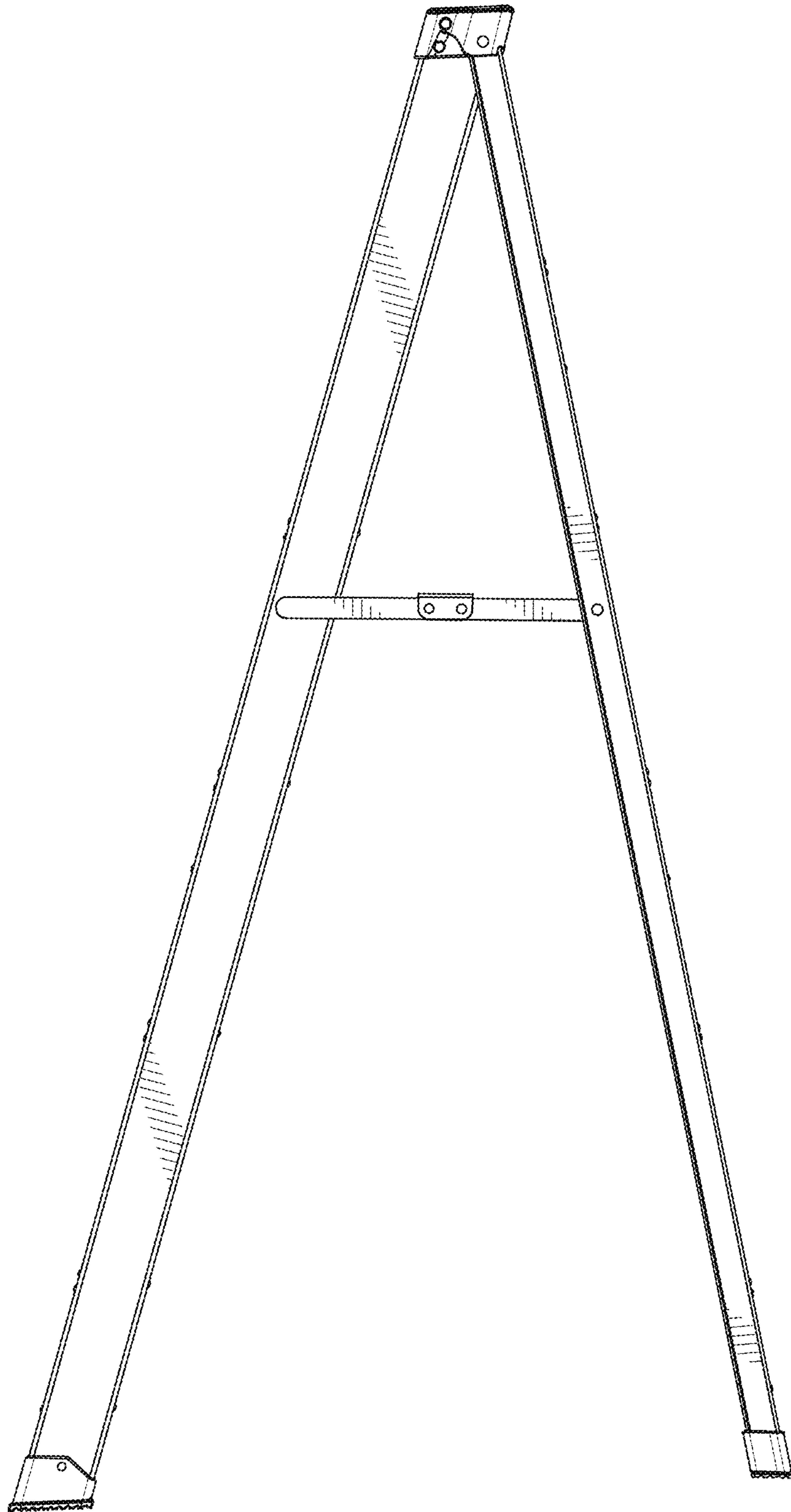


FIG. 5

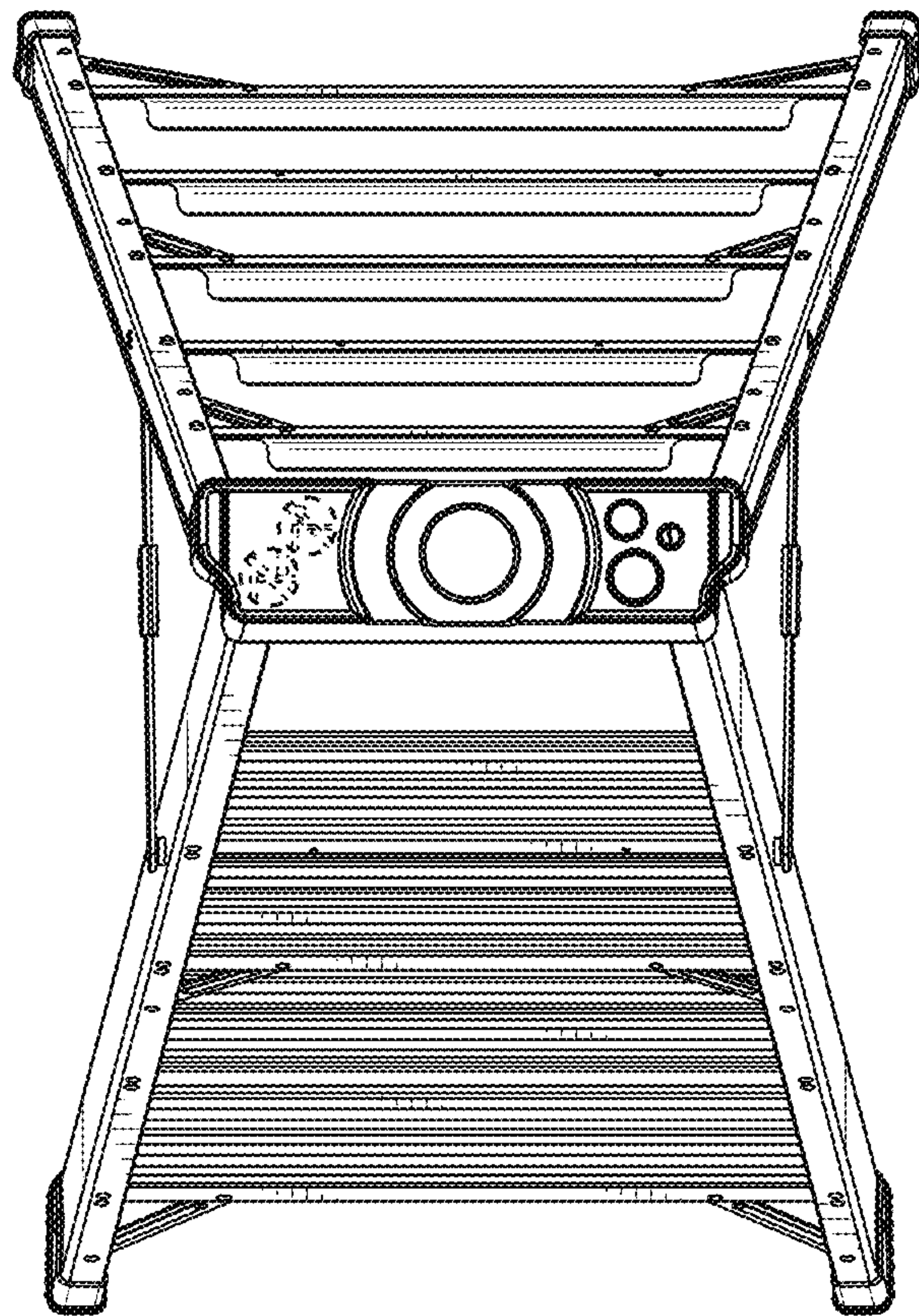


FIG. 6