



US00D777343S

(12) **United States Design Patent** (10) **Patent No.:** **US D777,343 S**
Gorin et al. (45) **Date of Patent:** **** Jan. 24, 2017**

(54) **BODY FLUID CARTRIDGE DEVICE**

FOREIGN PATENT DOCUMENTS

(71) Applicant: **C A Casyso AG**, MuttENZ (CH)

CN 101195112 6/2008
DE 2740932 11/1978

(72) Inventors: **Michael Gorin**, Incline Village, NV (US); **Robert S. Hillman**, San Diego, CA (US); **Cory Lee McCluskey**, Encinitas, CA (US)

(Continued)

(73) Assignee: **C A Casyso AG**, Basel (CH)

OTHER PUBLICATIONS

(**) Term: **15 Years**

ROTEM® delta, "Targeted therapy stops the bleeding," 6 pages, Jan. 6, 2014, [brochure].

(21) Appl. No.: **29/528,390**

(Continued)

(22) Filed: **May 28, 2015**

Primary Examiner — Anhdao Doan

(51) **LOC (10) Cl.** **24-01**

(74) *Attorney, Agent, or Firm* — Fish & Richardson P.C.

(52) **U.S. Cl.**

(57) **CLAIM**

USPC **D24/224**; D24/216

The ornamental design for a body fluid cartridge device, substantially as shown and described.

(58) **Field of Classification Search**

USPC D24/216–230, 231, 232, 107, 169, 186, D24/201; D10/81

CPC B01L 2200/10; B01L 2200/16; B01L 2300/0809; B01L 2300/0816; B01L 2300/0822; B01L 2300/0829; B01L 2300/0832; B01L 2300/0806; B01L 2300/0861; G01N 21/0483; G01N 21/0303; G01N 35/00029; G01N 2035/00019; G01N 2035/00306; G01N 2035/00326

See application file for complete search history.

DESCRIPTION

(56) **References Cited**

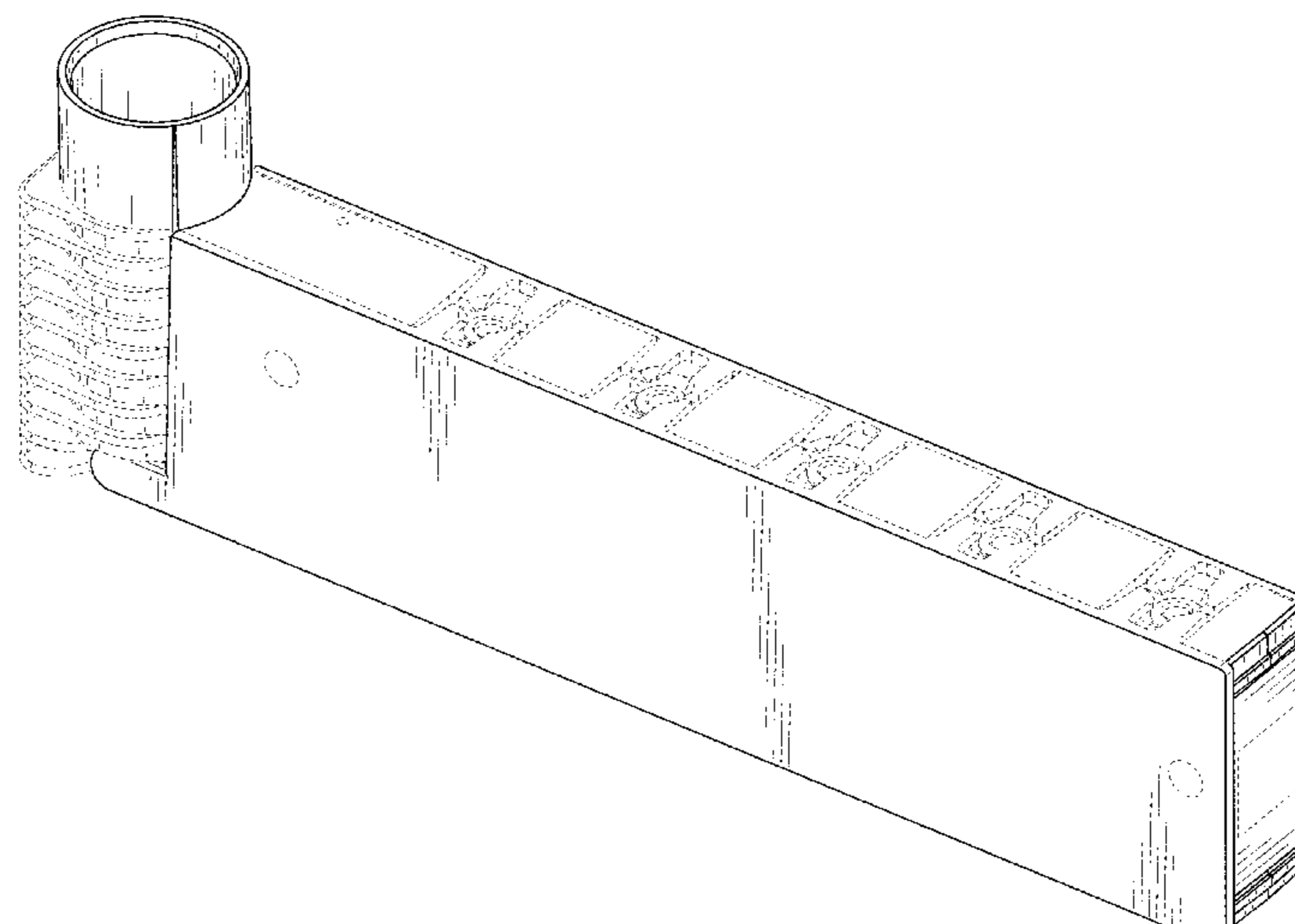
U.S. PATENT DOCUMENTS

3,803,903 A 4/1974 Lin
3,903,903 A 9/1975 Matsumura
4,148,216 A 4/1979 Do et al.
4,193,293 A 3/1980 Cavallari
D260,428 S * 8/1981 Fekete D24/226
4,319,194 A 3/1982 Cardinal
4,726,220 A 2/1988 Feier et al.
4,753,776 A 6/1988 Hillman et al.

FIG. 1 is a perspective view of a body fluid cartridge device. FIG. 2 is a right side view of the body fluid cartridge device of FIG. 1. FIG. 3 is a left side view of the body fluid cartridge device of FIG. 1. FIG. 4 is a front view of the body fluid cartridge device of FIG. 1. FIG. 5 is a rear view of the body fluid cartridge device of FIG. 1. FIG. 6 is a top view of the body fluid cartridge device of FIG. 1; and, FIG. 7 is a bottom view of the body fluid cartridge device of FIG. 1.

The broken lines immediately adjacent the shaded areas represent the bounds of the claim, and all other broken lines are directed to environment. The broken lines form no part of the claimed design.

1 Claim, 5 Drawing Sheets



(56)

References Cited

U.S. PATENT DOCUMENTS

4,756,884 A 7/1988 Hillman et al.
 4,765,180 A 8/1988 Clifton
 4,767,600 A 8/1988 Vicario
 D302,294 S 7/1989 Hillman
 4,868,129 A 9/1989 Gibbons et al.
 D305,360 S * 1/1990 Fechtner D24/226
 4,948,961 A 8/1990 Hillman et al.
 4,963,498 A 10/1990 Hillman et al.
 5,009,316 A * 4/1991 Klein B01L 9/06
 206/443
 5,028,142 A 7/1991 Ostoich et al.
 5,077,017 A 12/1991 Gorin et al.
 5,104,813 A 4/1992 Besemer et al.
 D327,743 S * 7/1992 Frenkel D24/226
 5,164,598 A 11/1992 Hillman et al.
 5,207,988 A 5/1993 Lucas
 5,222,808 A 6/1993 Sugarman et al.
 5,223,219 A 6/1993 Subramanian et al.
 5,287,732 A 2/1994 Sekiguchi
 D347,067 S 5/1994 Shartle et al.
 5,447,440 A 9/1995 Davis et al.
 5,531,102 A 7/1996 Brookfield et al.
 5,777,212 A 7/1998 Sekiguchi et al.
 5,777,215 A 7/1998 Calatzis et al.
 5,788,928 A * 8/1998 Carey G01N 35/1002
 206/219
 5,902,937 A 5/1999 Amrani et al.
 6,012,712 A 1/2000 Bernstein
 6,066,243 A 5/2000 Anderson et al.
 6,200,532 B1 3/2001 Wu et al.
 6,537,819 B2 3/2003 Cohen
 6,613,286 B2 9/2003 Braun et al.
 D481,133 S * 10/2003 Blouin D24/216
 D482,454 S * 11/2003 Gebrian D24/224
 6,662,031 B1 12/2003 Khalil et al.
 6,699,718 B1 3/2004 Bruegger
 6,838,055 B2 1/2005 Sando et al.
 6,951,127 B1 10/2005 Bi
 7,399,637 B2 7/2008 Wright et al.
 7,412,877 B1 8/2008 Bi
 7,491,175 B2 2/2009 Ruether et al.
 7,595,169 B2 9/2009 Swaim et al.
 7,732,213 B2 6/2010 Cohen et al.
 7,745,223 B2 6/2010 Schubert et al.
 7,947,505 B2 5/2011 Kawasaki et al.

D645,973 S * 9/2011 Hoenes D24/224
 8,110,392 B2 2/2012 Battrell et al.
 8,383,045 B2 2/2013 Schubert et al.
 8,448,499 B2 5/2013 Schubert et al.
 8,857,244 B2 10/2014 Schubert et al.
 9,086,423 B2 7/2015 Schubert et al.
 9,110,084 B2 8/2015 Schubert et al.
 D737,993 S * 9/2015 Tan D24/224
 2002/0081741 A1 6/2002 Braun, Sr.
 2003/0073244 A1 4/2003 Cohen et al.
 2007/0059840 A1 3/2007 Cohen et al.
 2009/0130645 A1 5/2009 Schubert et al.
 2010/0154520 A1 6/2010 Schubert et al.
 2010/0184201 A1 7/2010 Schubert et al.
 2011/0237913 A1 9/2011 Schubert et al.
 2013/0323847 A1 12/2013 Schubert et al.
 2014/0271409 A1 * 9/2014 Knight G01N 35/026
 422/554

FOREIGN PATENT DOCUMENTS

DE	10135569	2/2003
EP	0404456	12/1990
EP	1367392	12/2003
EP	1394546	3/2004
EP	1627725	2/2006
GB	2257256	1/1993
JP	09-507580	7/1997
JP	2006-053142	2/2006
WO	WO 89/06803	7/1989
WO	WO 02/063273	8/2002
WO	WO 2005/106467	11/2005
WO	WO 2007/047961	4/2007
WO	WO 2008/093216	8/2011
WO	WO 2011/117017	9/2011

OTHER PUBLICATIONS

ROTEM® delta, "Whole Blood Haemostasis System using Thromboelastomerty Operating Manual," 164 pages, Nov. 17, 2014 [brochure].
 Rotem® "When Minutes Count to Stop the Bleeding," Pentapharm GmbH, www.rotem.de, 6 pages, Jun. 2007. [brochure].
 Salooja and Perry, "Thromboelastography," *Blood Coagul Fibrinolysis*, 12(5):327-37, Jul. 2001.

* cited by examiner

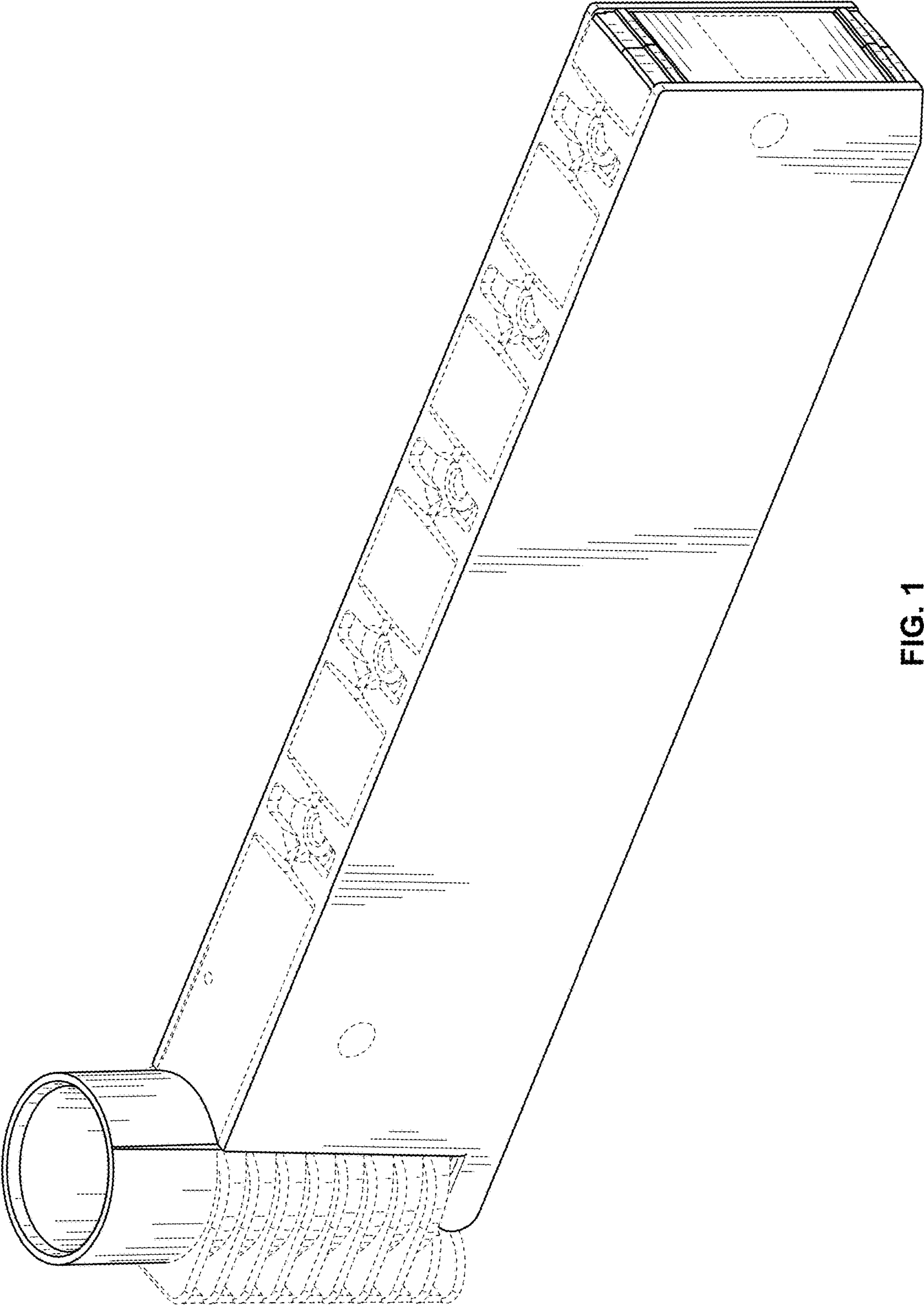


FIG. 1

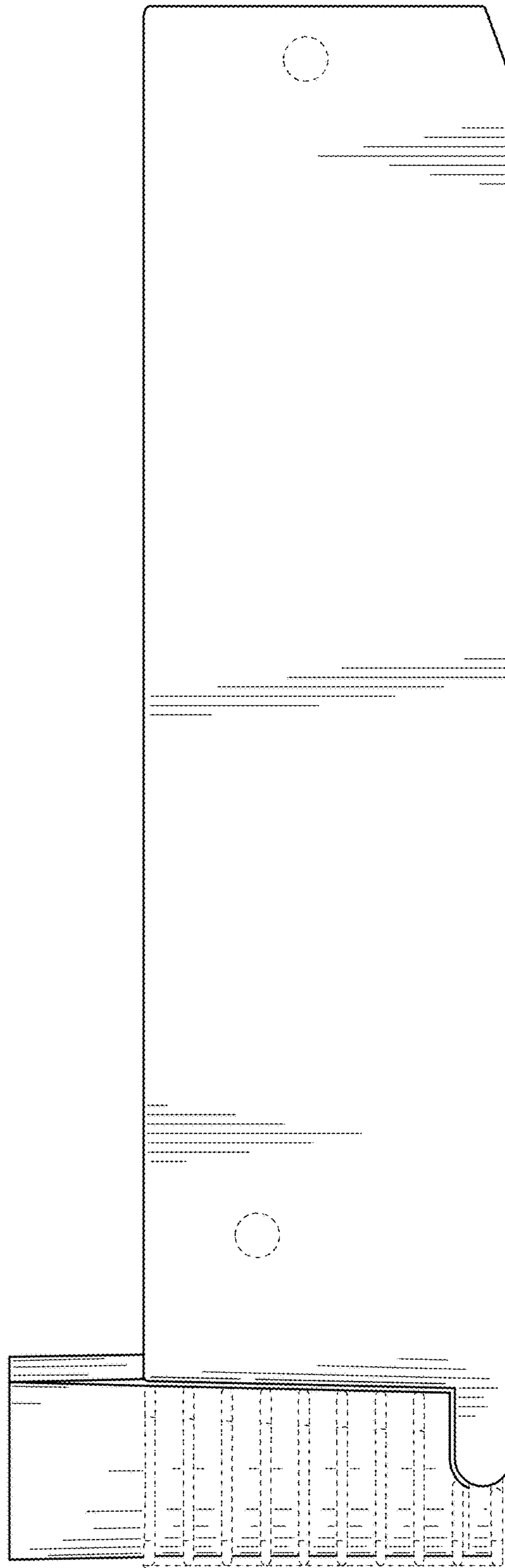


FIG. 2

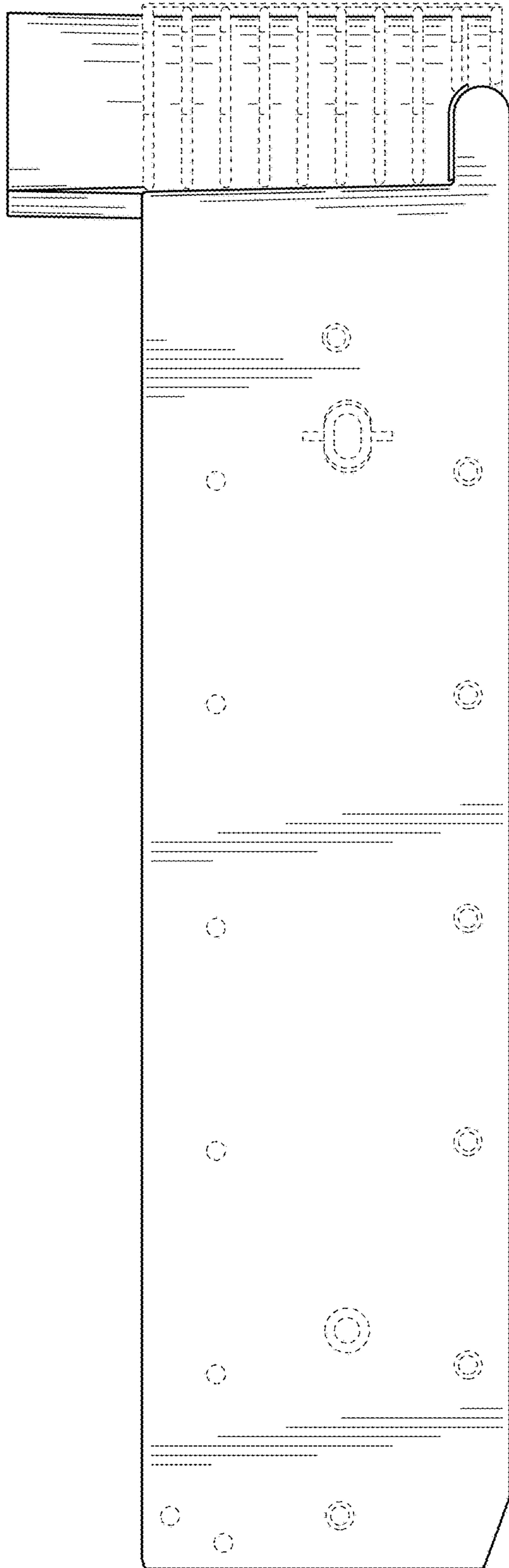


FIG. 3

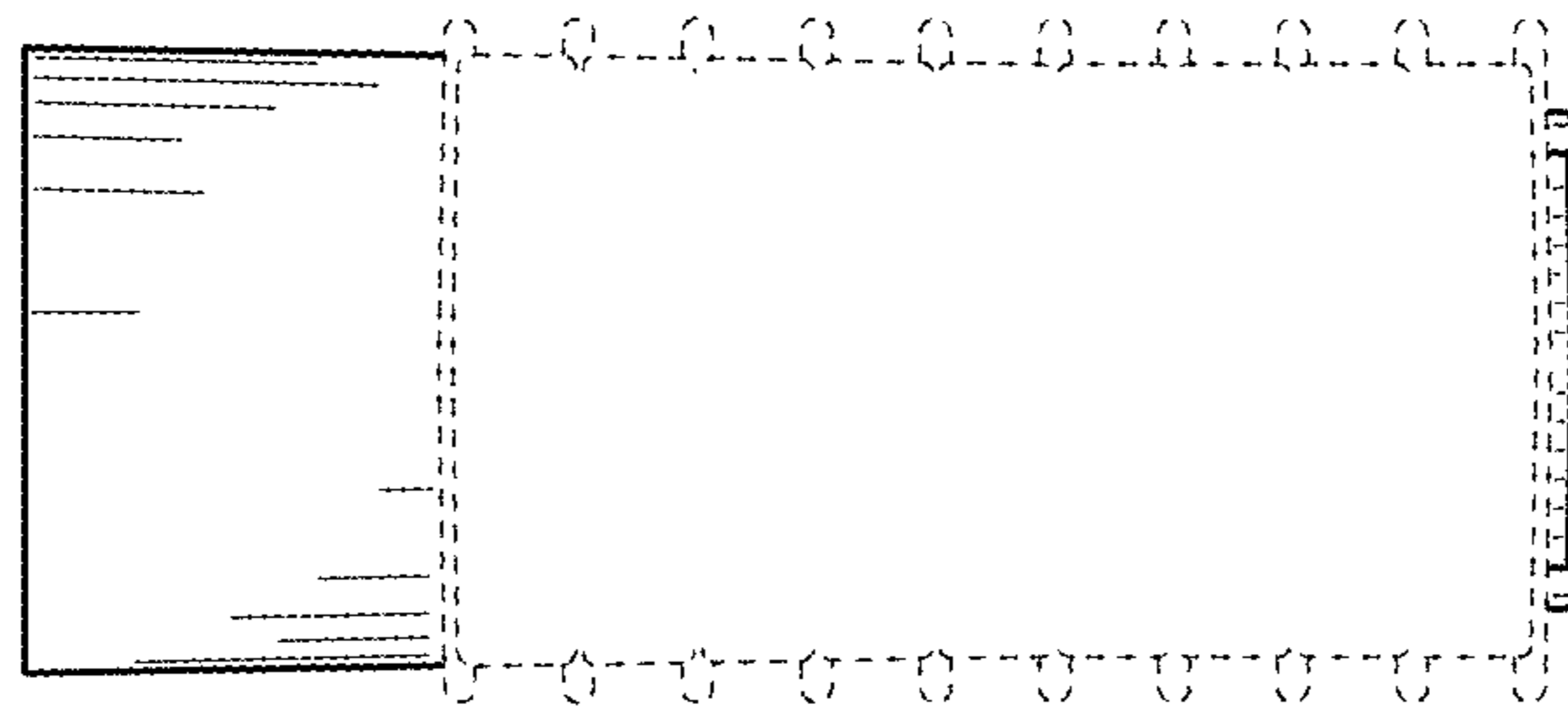


FIG. 5

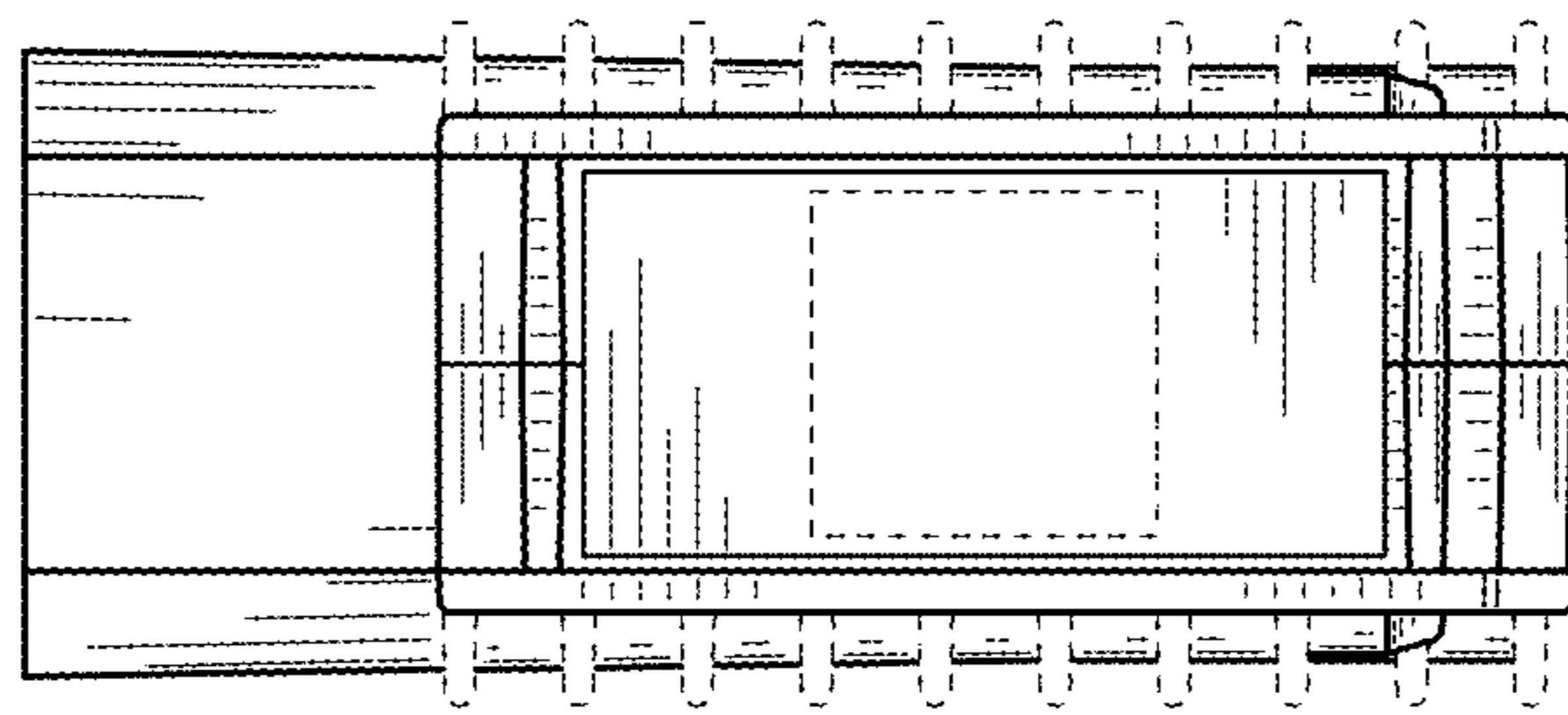


FIG. 4

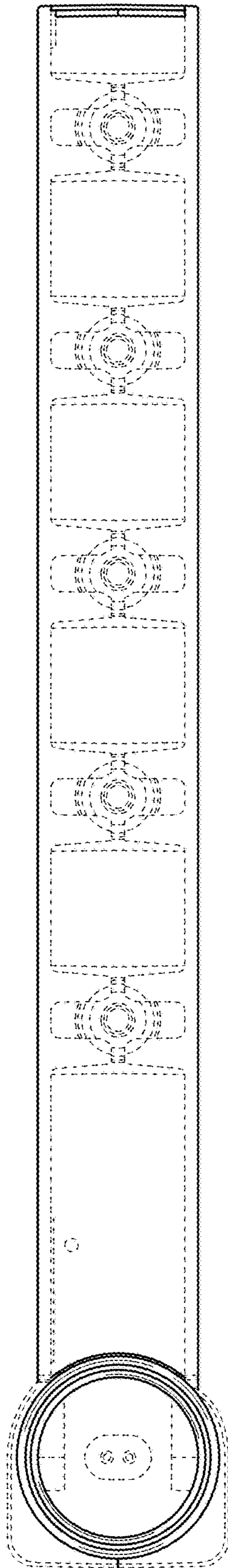


FIG. 6

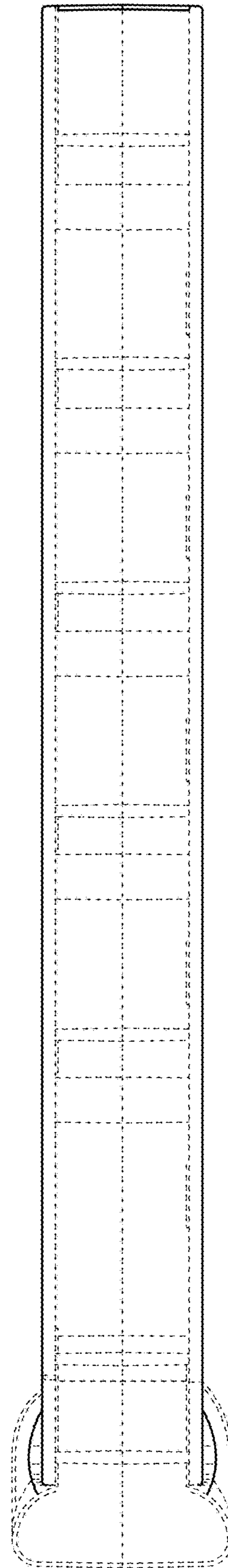


FIG. 7