



US00D777339S

(12) **United States Design Patent**
Chen

(10) **Patent No.:** **US D777,339 S**
(45) **Date of Patent:** **** Jan. 24, 2017**

(54) **WEARABLE PHOTOTHERAPY APPARATUS FOR HAIR AND SCALP TREATMENT**

(71) Applicant: **WELLMIKE TECHNOLOGY CORPORATION**, New Taipei (TW)

(72) Inventor: **Chung-Yang Chen**, New Taipei (TW)

(73) Assignee: **WELLMIKE TECHNOLOGY CORPORATION**, New Taipei (TW)

(**) Term: **15 Years**

(21) Appl. No.: **29/545,367**

(22) Filed: **Nov. 12, 2015**

(51) **LOC (10) Cl.** **28-03**

(52) **U.S. Cl.**
USPC **D24/209**

(58) **Field of Classification Search**
USPC D24/107, 186, 158, 231, 200, 209, 210, D24/214, 215; D26/37-39; D28/9; D29/102, 103
CPC A61N 5/0616; A61N 5/0617; A61N 5/062; A61N 5/0627; A61N 5/0625; A61N 2005/0643; A61N 2005/0644; A61N 2005/0645; A61N 2005/0647; A61N 2005/0651; A61N 2005/0652; A61B 2018/00452; A61B 2018/1807
See application file for complete search history.

(56) **References Cited**

U.S. PATENT DOCUMENTS

D348,520 S * 7/1994 Wolf D24/200
D640,793 S * 6/2011 Britt D24/209

8,192,473 B2 * 6/2012 Tucker A61N 5/0616
606/9
D763,461 S * 8/2016 Ma D24/215
2011/0087310 A1 * 4/2011 Chen A61N 5/0617
607/89
2011/0251658 A1 * 10/2011 Chen A61N 5/0617
607/88
2015/0005854 A1 * 1/2015 Said A61N 5/0617
607/91
2016/0045763 A1 * 2/2016 Tapper A61N 5/0617
607/91

* cited by examiner

Primary Examiner — Anhdao Doan

(74) *Attorney, Agent, or Firm* — Muncy, Geissler, Olds & Lowe, P.C.

(57) **CLAIM**

The ornamental design for a wearable phototherapy apparatus for hair and scalp treatment, as shown and described.

DESCRIPTION

FIG. 1 is a perspective view of a wearable phototherapy apparatus for hair and scalp treatment showing our new design;

FIG. 2 is a front elevational view thereof;

FIG. 3 is a rear elevational view thereof;

FIG. 4 is a left side elevational view thereof;

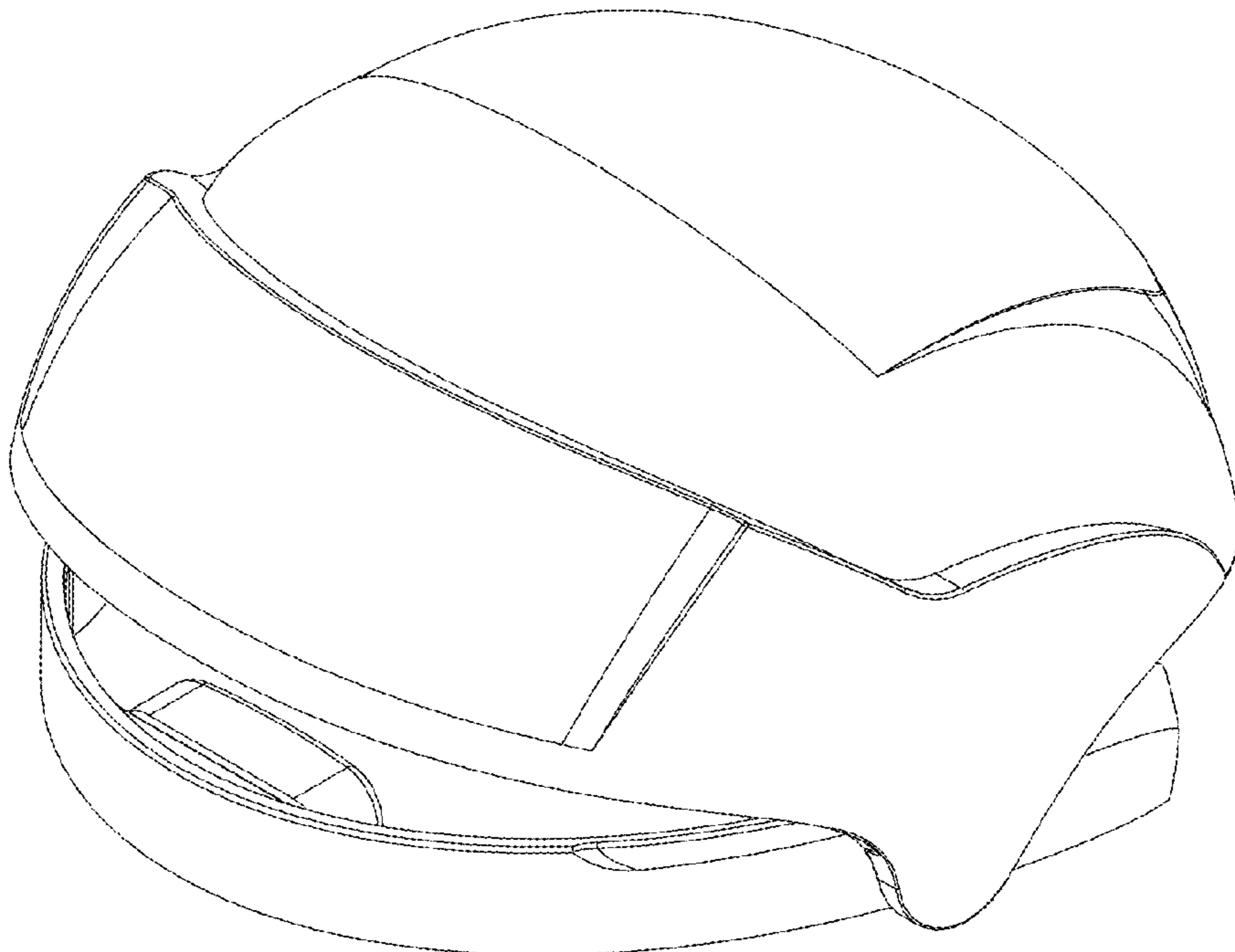
FIG. 5 is a right side elevational view thereof;

FIG. 6 is a top side elevational view thereof;

FIG. 7 is a bottom side elevational view thereof; and,

FIG. 8 is another perspective view thereof.

1 Claim, 8 Drawing Sheets



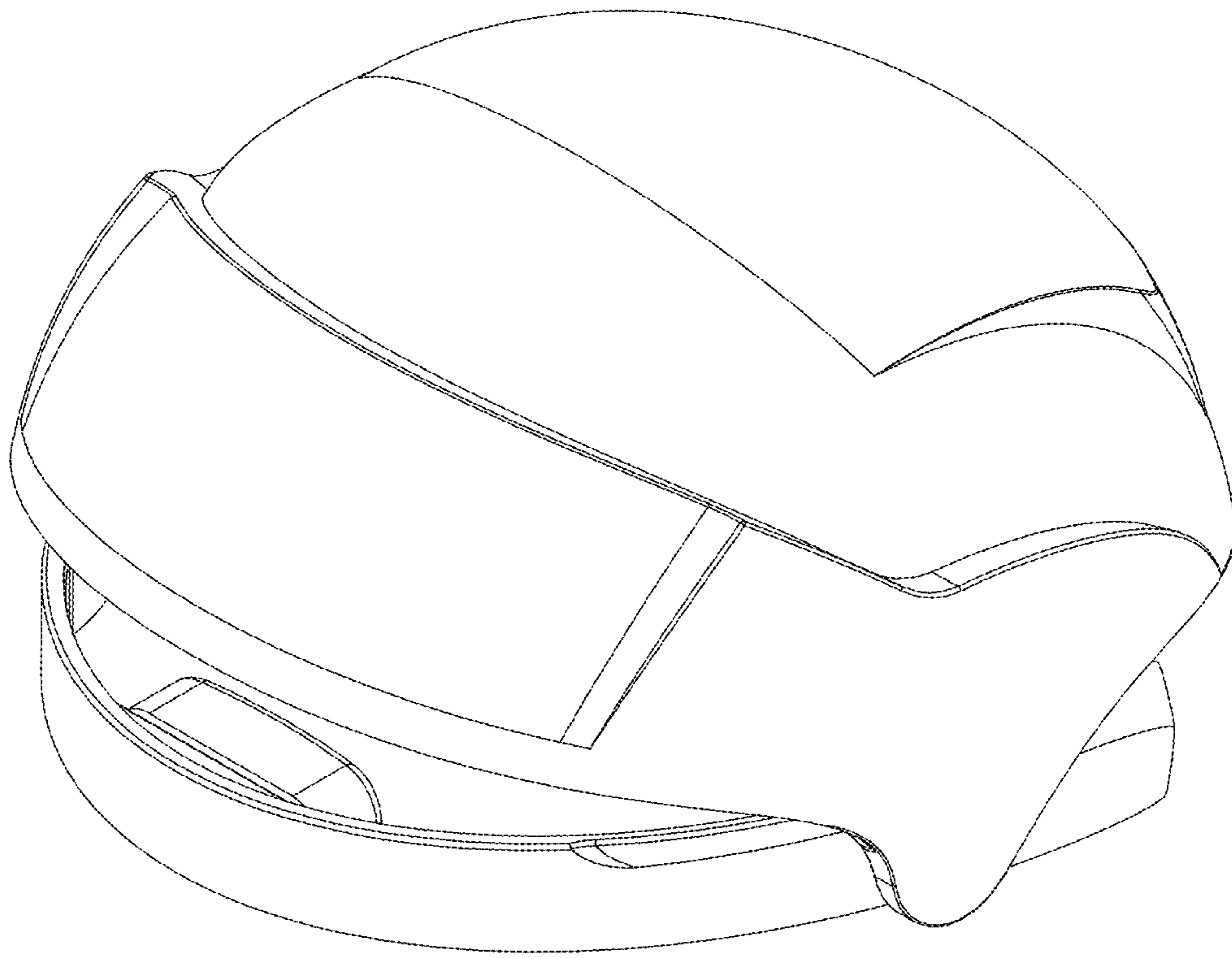


FIG.1

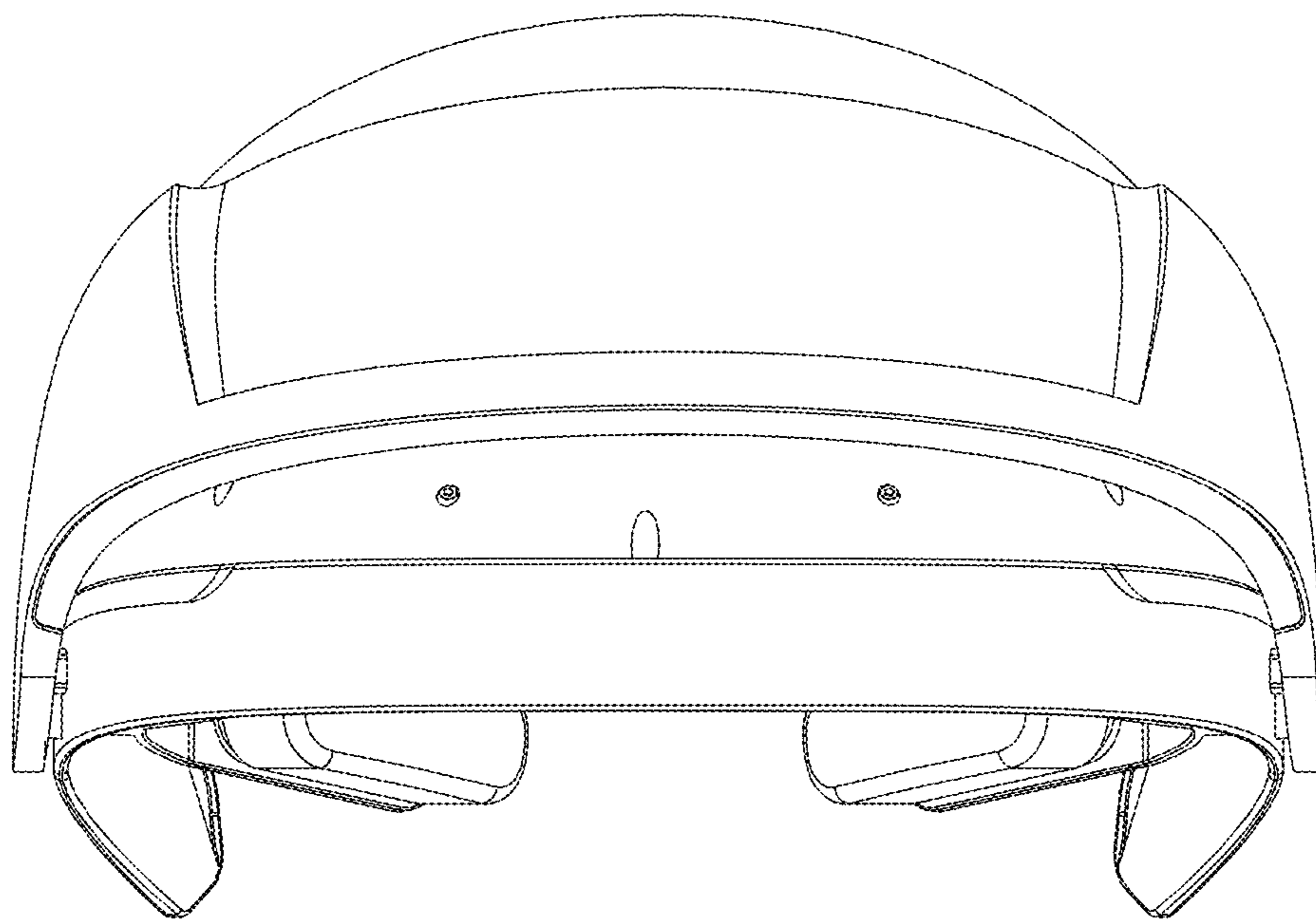


FIG.2

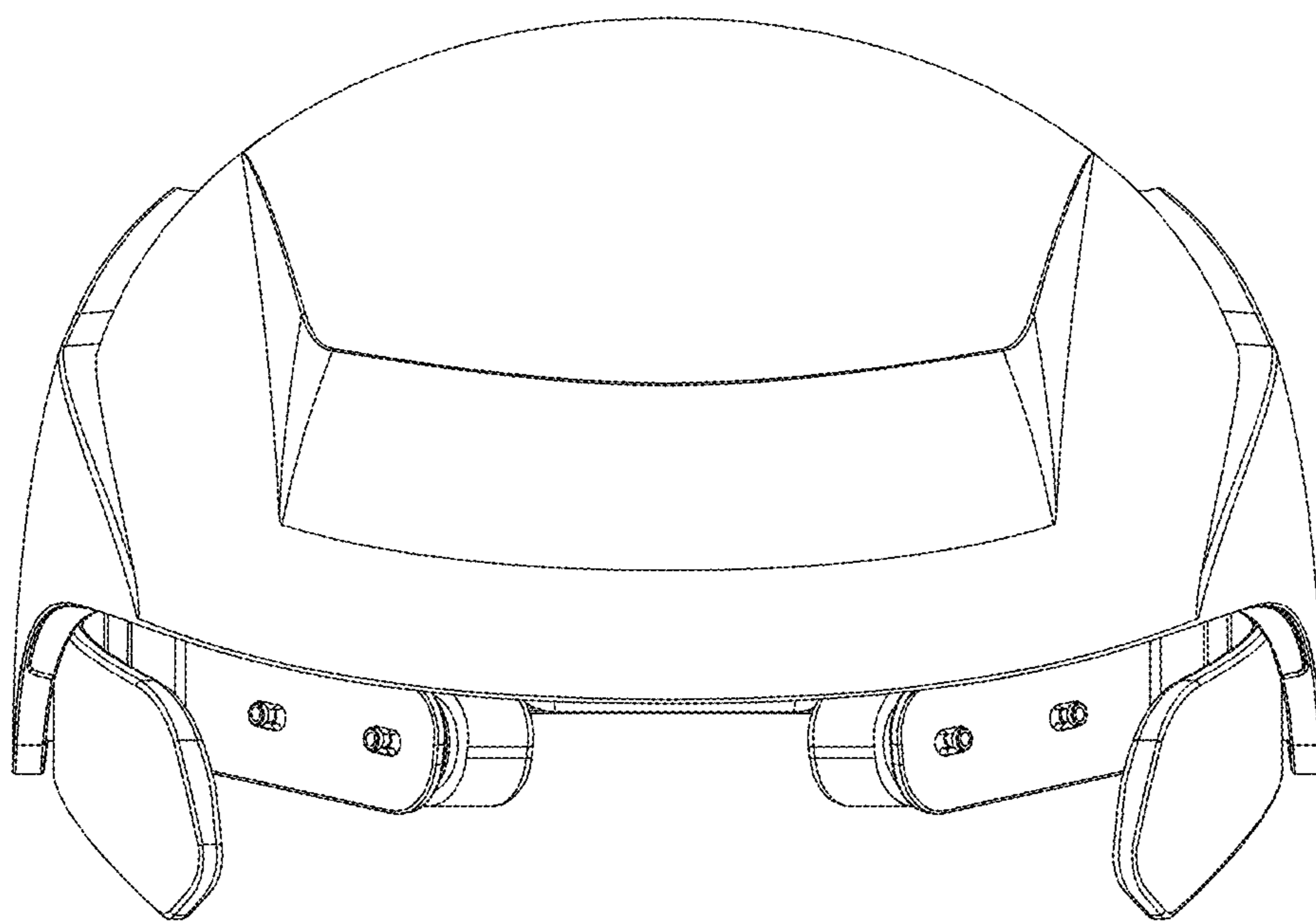


FIG.3

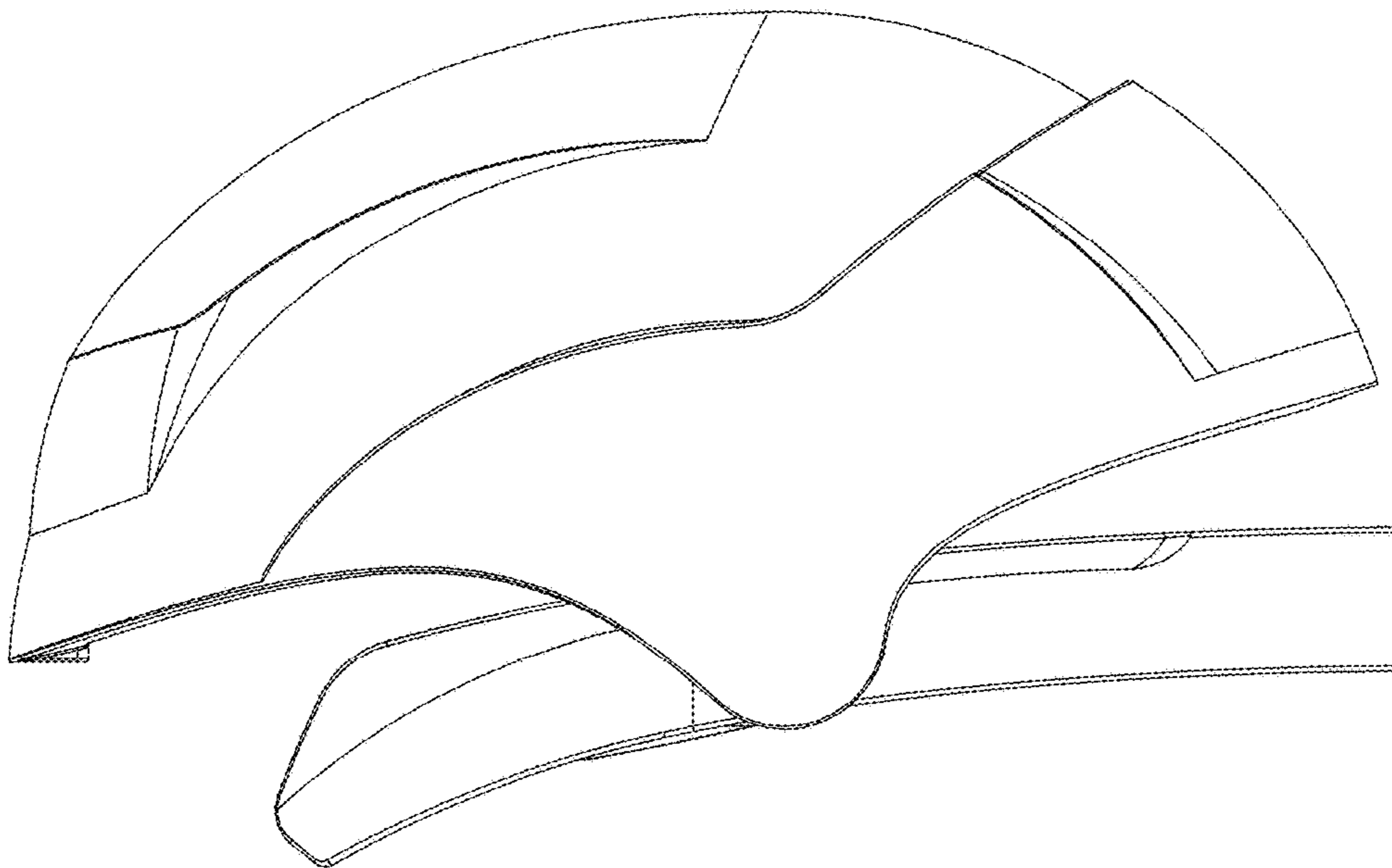


FIG.4

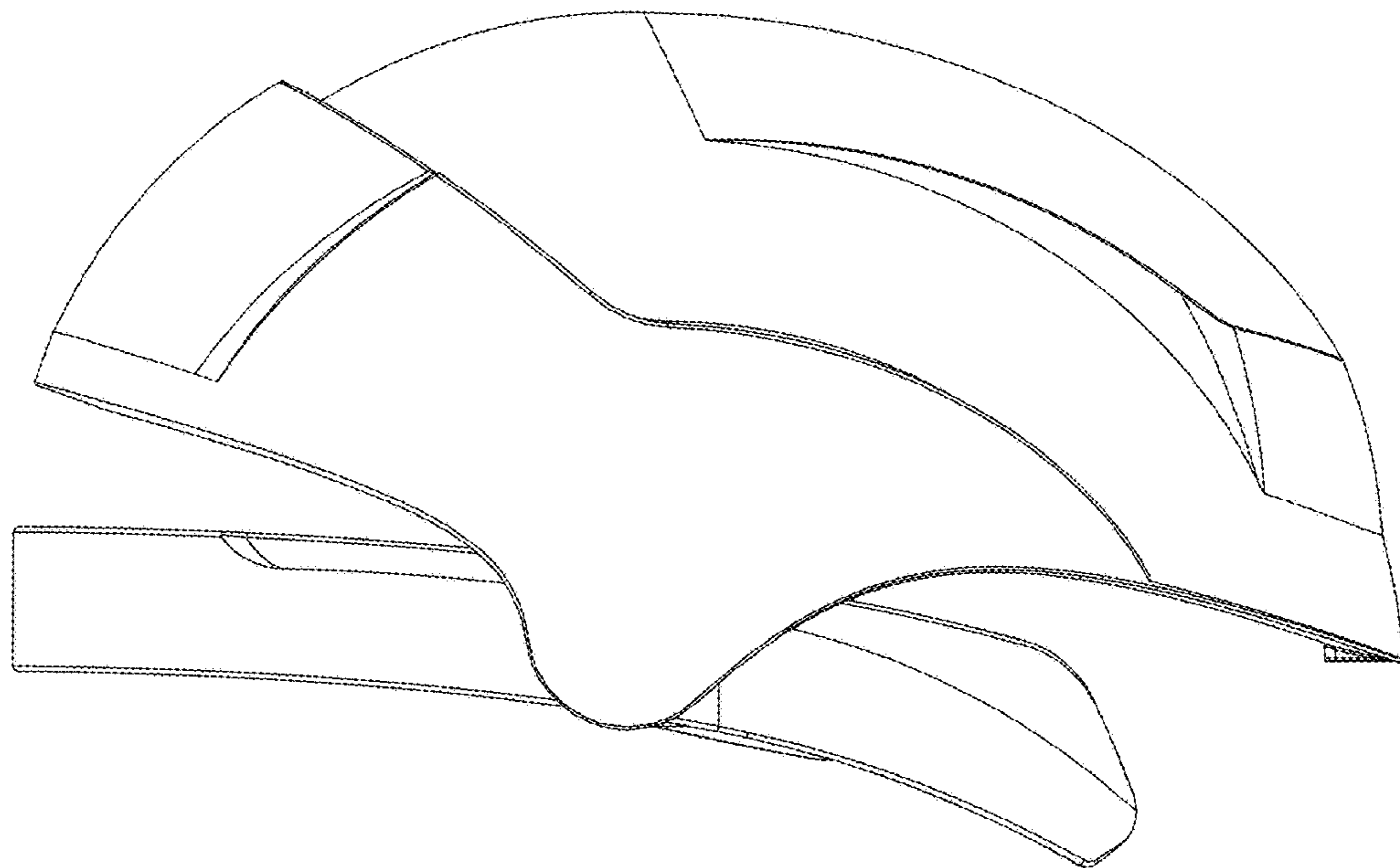


FIG.5

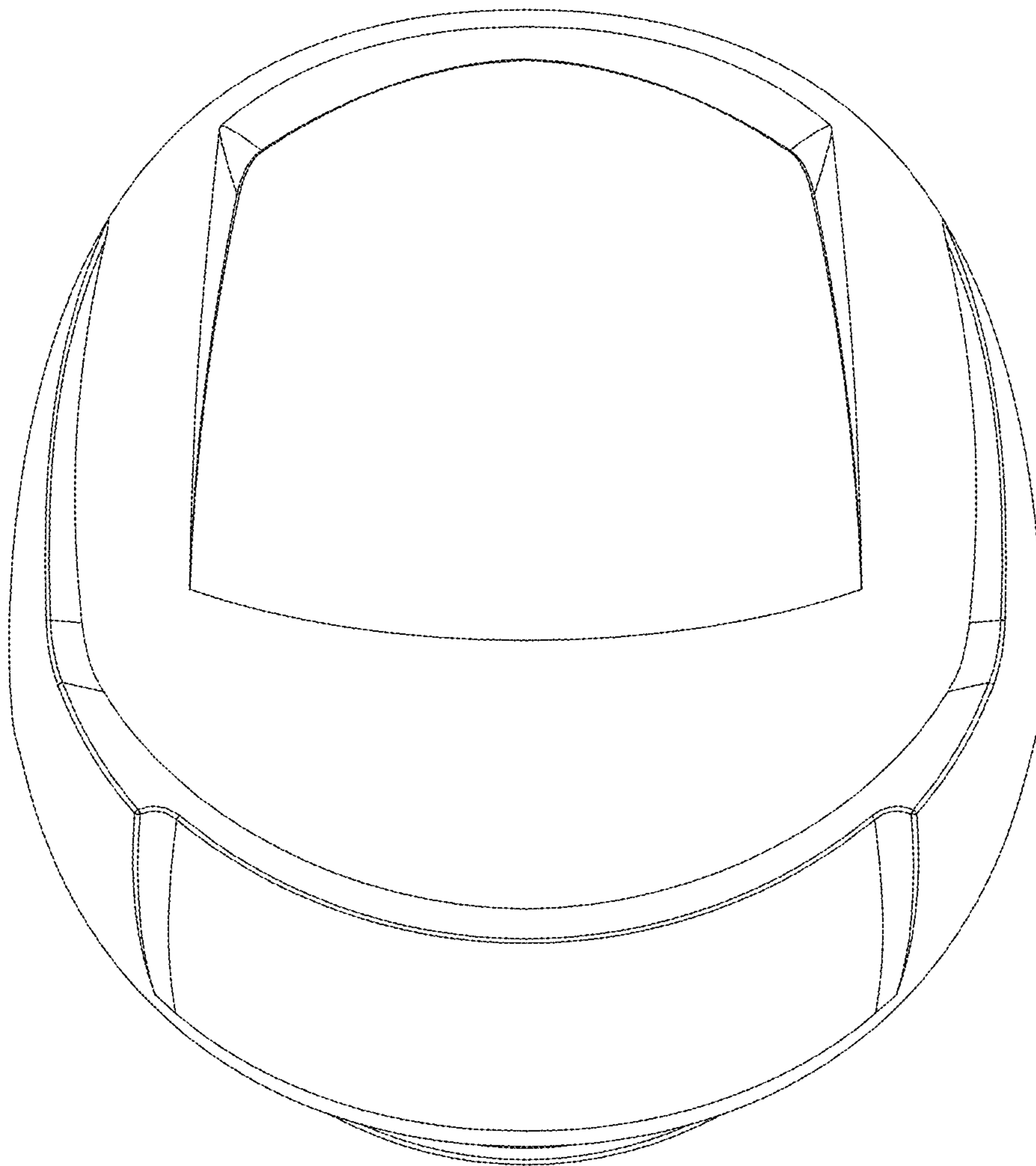


FIG.6

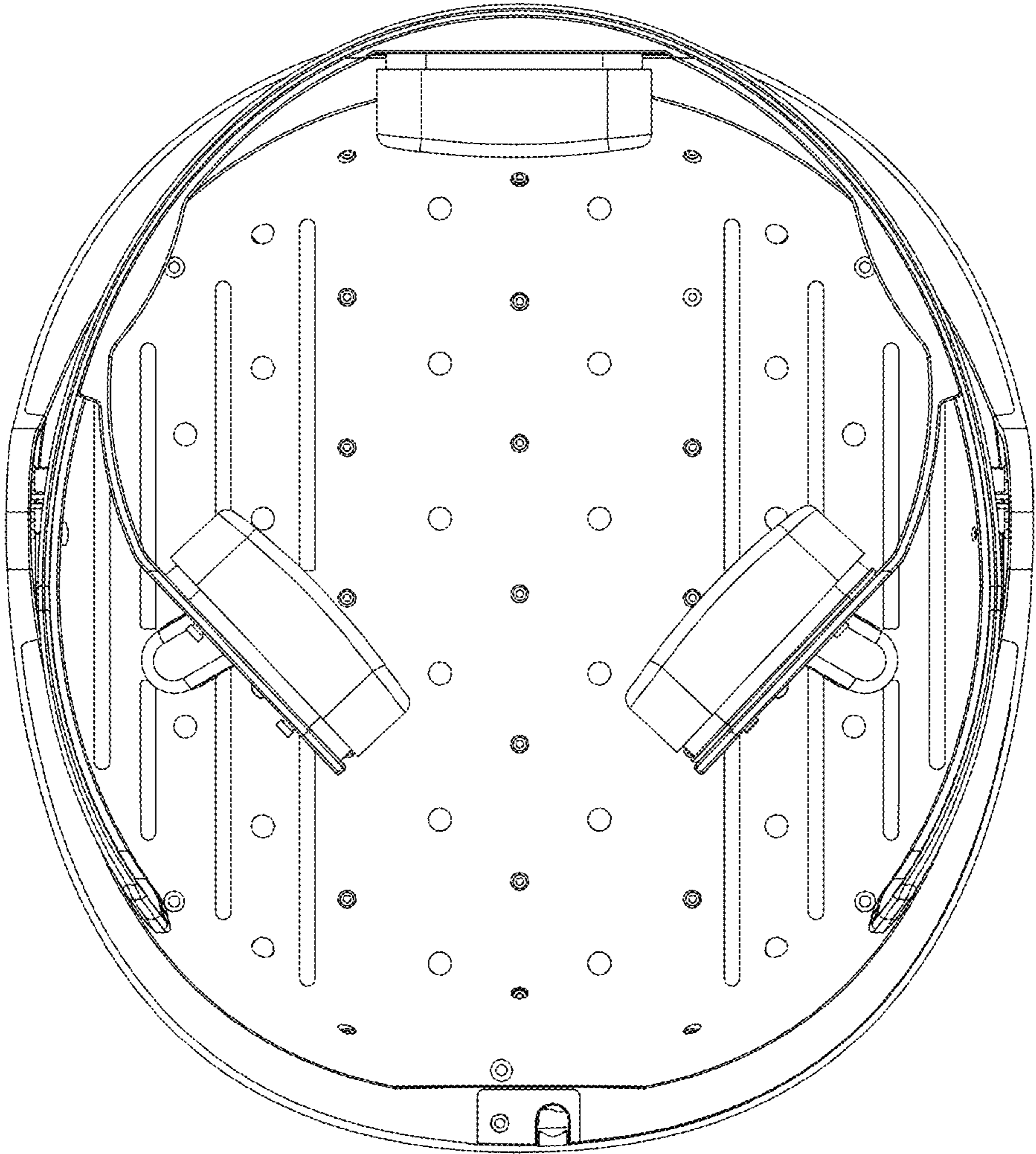


FIG.7

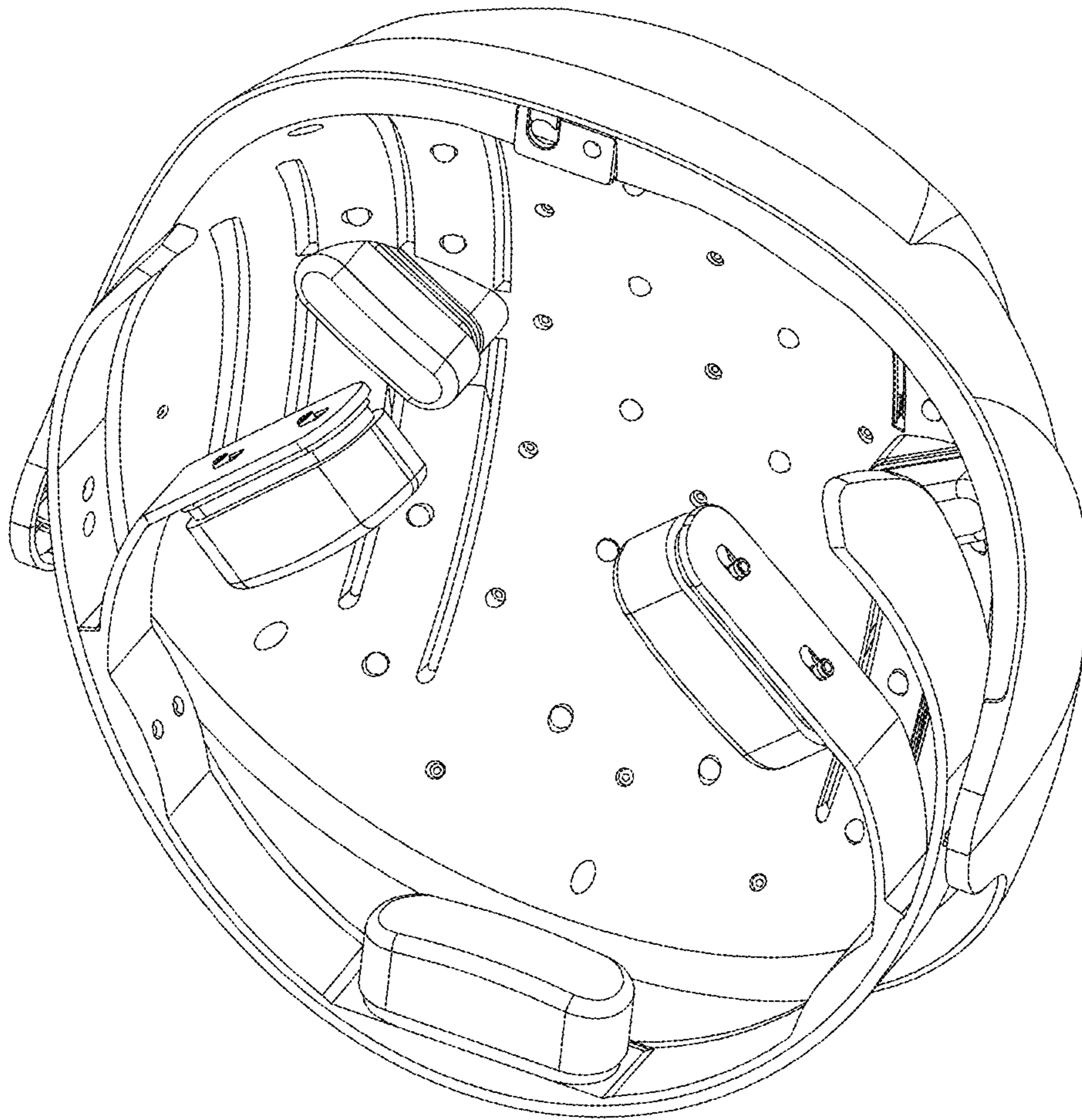


FIG.8