



US00D777334S

(12) **United States Design Patent**
Souney

(10) **Patent No.:** **US D777,334 S**
(45) **Date of Patent:** **** Jan. 24, 2017**

(54) **THREE FINGERED COMPRESSION GARMENT**

(71) Applicant: **Currie Medical Specialties, Inc.**,
Rancho Cucamonga, CA (US)

(72) Inventor: **Sean Souney**, Rancho Cucamonga, CA
(US)

(73) Assignee: **Currie Medical Specialties, Inc.**,
Rancho Cucamonga, CA (US)

(**) Term: **15 Years**

(21) Appl. No.: **29/532,591**

(22) Filed: **Jul. 8, 2015**

(51) **LOC (10) Cl.** **24-01**

(52) **U.S. Cl.**
USPC **D24/190**

(58) **Field of Classification Search**
USPC D24/189-192; D29/101.1, 101.2, 122
CPC A61F 5/0118; A61F 5/0123; A61F
2005/0139; A61F 2005/0174; A61F
2005/0181; A61F 2005/0137
See application file for complete search history.

(56) **References Cited**

U.S. PATENT DOCUMENTS

- D523,147 S * 6/2006 Tesluk D24/169
- 7,329,232 B2 * 2/2008 Lipshaw A61F 13/06
128/845
- D608,006 S * 1/2010 Avitable D24/190

- 7,871,387 B2 * 1/2011 Tordella A61F 5/34
128/DIG. 20
- 8,029,451 B2 * 10/2011 Meyer A61H 9/0078
602/13
- 8,753,300 B2 * 6/2014 Deshpande A61H 9/0078
601/148
- D717,453 S * 11/2014 Mahtani D24/190
- D731,069 S * 6/2015 Bialek D24/190
- 9,125,787 B2 * 9/2015 Malhi A61H 9/0078
- 2004/0039317 A1 * 2/2004 Souney A61H 9/0078
602/13
- 2011/0004132 A1 * 1/2011 Cook A61H 9/0078
601/152
- 2011/0087142 A1 * 4/2011 Ravikumar A61F 5/012
601/151

* cited by examiner

Primary Examiner — George D Kirschbaum

Assistant Examiner — Jennifer Watkins

(74) *Attorney, Agent, or Firm* — Ater Wynne LLP

(57) **CLAIM**

The ornamental design for a three fingered compression garment, as shown and described.

DESCRIPTION

FIG. 1 is an inner side perspective view of a three fingered compression garment showing my new design. FIG. 2 is an inner side view thereof; and, FIG. 3 is an outer side view thereof. Any broken fine illustration is of environmental structure in the drawing, and is not part of the design sought to be patented.

1 Claim, 3 Drawing Sheets

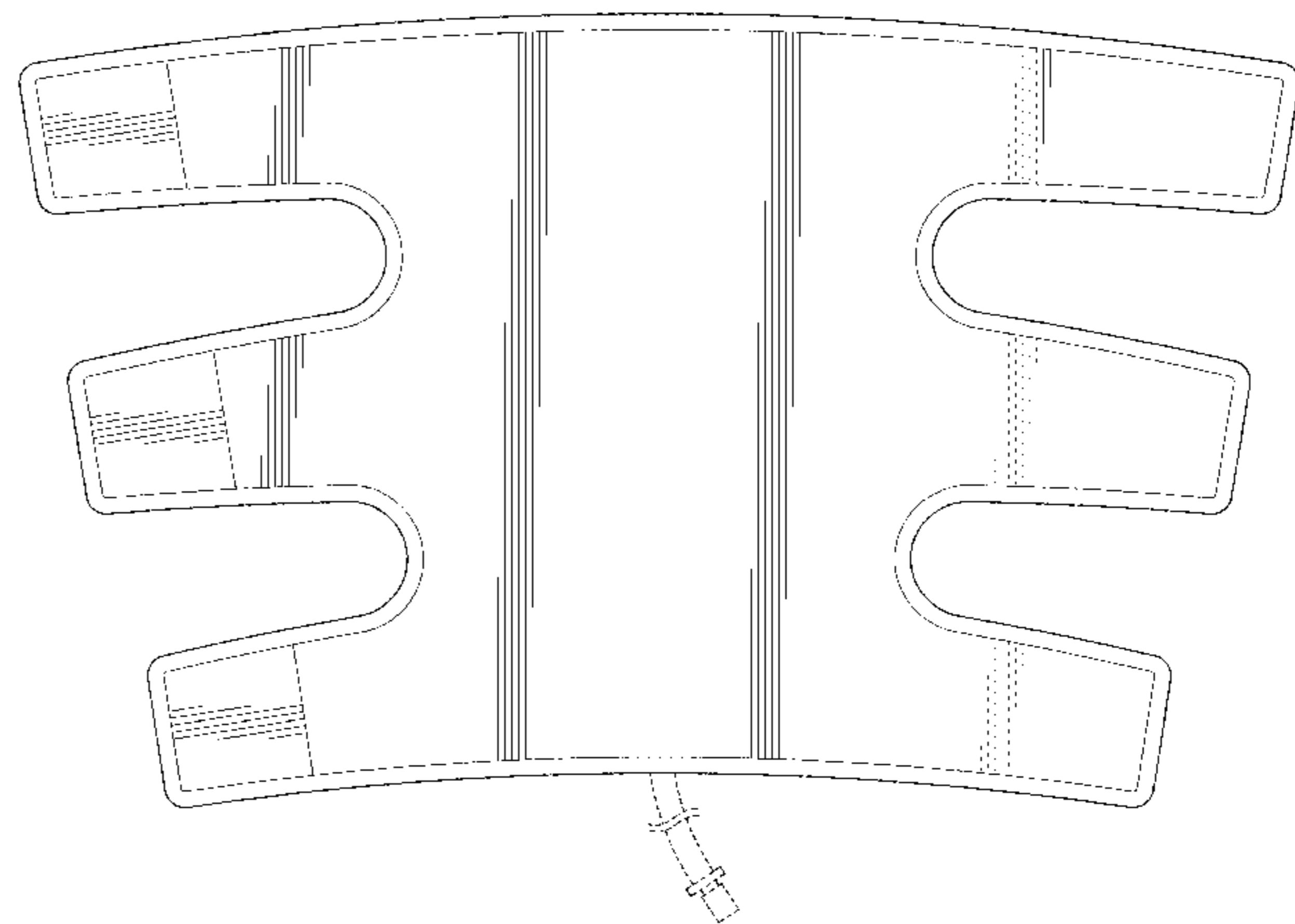
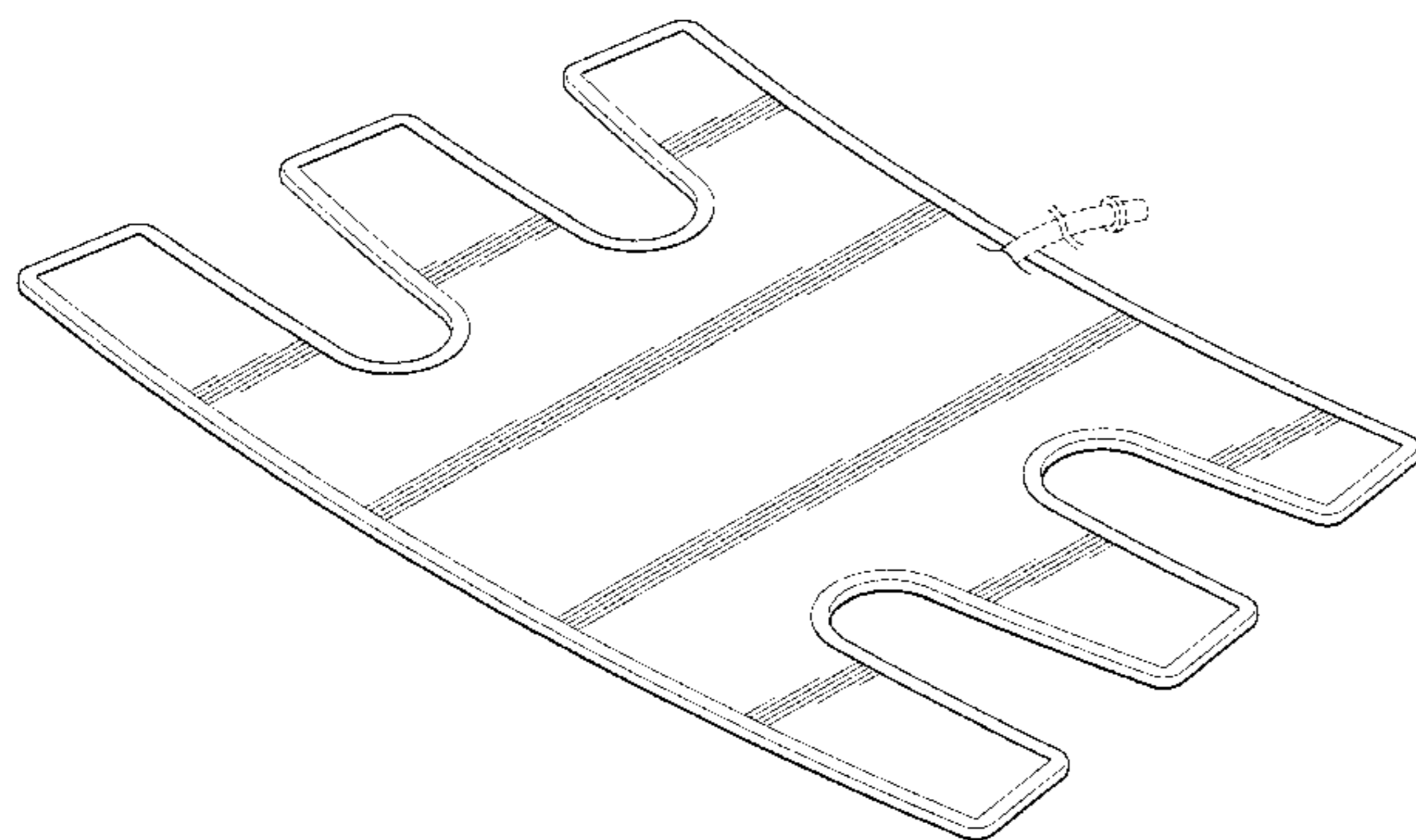
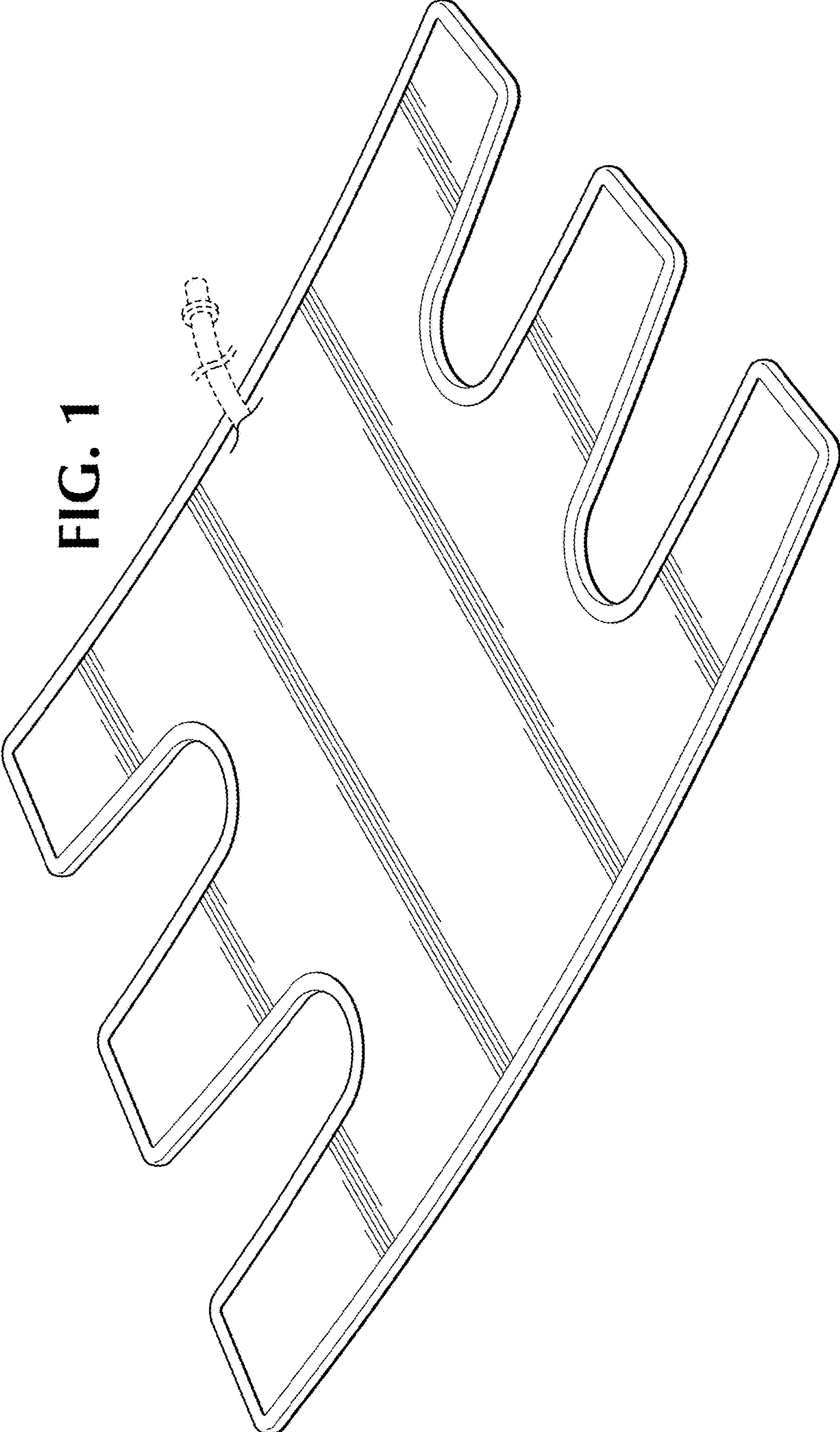


FIG. 1



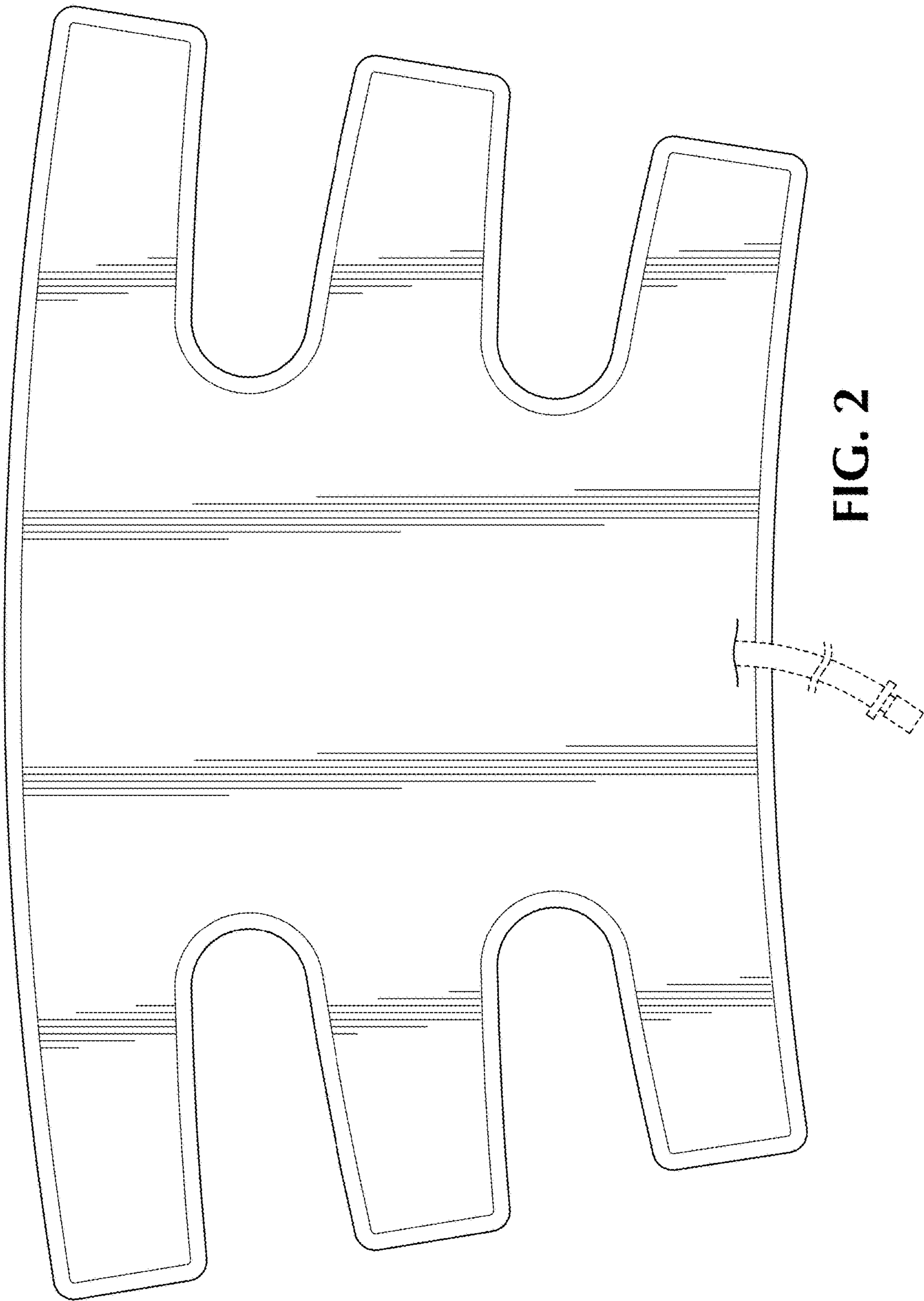


FIG. 2

