



US00D777327S

(12) **United States Design Patent**
Halleck et al.

(10) **Patent No.:** **US D777,327 S**
(45) **Date of Patent:** **** Jan. 24, 2017**

- (54) **ENDOSCOPIC VIDEO CAMERA**
- (71) Applicant: **Karl Storz Imaging, Inc.**, Goleta, CA (US)
- (72) Inventors: **Kevin E. Halleck**, Santa Barbara, CA (US); **Greg M. Chambers**, San Luis Obispo, CA (US); **Larry Oslie**, Santa Barbara, CA (US)
- (73) Assignee: **Karl Storz Imaging, Inc.**, Goleta, CA (US)
- (**) Term: **15 Years**

D581,051 S	11/2008	Melder	
D587,804 S	3/2009	Ruiz et al.	
D598,545 S *	8/2009	Haines, III	D24/137
D607,032 S	12/2009	Halleck et al.	
D639,428 S *	6/2011	Yasue	D24/137
D643,534 S	8/2011	Halleck et al.	
D651,312 S	12/2011	Halleck et al.	
D664,647 S *	7/2012	Becker	D24/133
D664,648 S *	7/2012	Becker	D24/133
D664,649 S *	7/2012	Becker	D24/133
D669,580 S *	10/2012	Eisenkolb	D24/137
D670,383 S *	11/2012	Eisenkolb	D24/137
D672,462 S *	12/2012	Campo	D24/138
D687,476 S	8/2013	Halleck et al.	
D695,228 S	12/2013	Halleck et al.	
D716,942 S *	11/2014	Eisenkolb	D24/138

(Continued)

- (21) Appl. No.: **29/530,984**
- (22) Filed: **Jun. 22, 2015**
- (51) **LOC (10) Cl.** **24-02**
- (52) **U.S. Cl.**
USPC **D24/138**
- (58) **Field of Classification Search**
USPC D24/133, 137, 138, 222, 141, 108, 111,
D24/113, 127, 143, 148, 179, 216, 152,
D24/153, 154, 176; D8/4, 29.1, 29.2, 30,
D8/31, 39
CPC A61B 1/00128; A61B 1/018; A61B
17/320016; A61B 17/3423; A61B
1/00135; A61B 1/12; A61B 2017/00477;
A61B 2017/347; A61B 17/00234; A61B
17/00491; A61B 1/00066; A61B
1/00133; A61B 1/00147
See application file for complete search history.

(56) **References Cited**
U.S. PATENT DOCUMENTS

D474,276 S	5/2003	Greise et al.
D474,745 S	5/2003	Amling et al.
D482,334 S	11/2003	Amling et al.
D501,864 S	2/2005	Greise et al.
D523,455 S	6/2006	Greise et al.

OTHER PUBLICATIONS

U.S. Appl. No. 29/441,115, Dec. 31, 2012, Mirrer, et al.

Primary Examiner — Robert M Spear
Assistant Examiner — Eliza Bennett-Hattan
(74) *Attorney, Agent, or Firm* — Whitmyer IP Group LLC

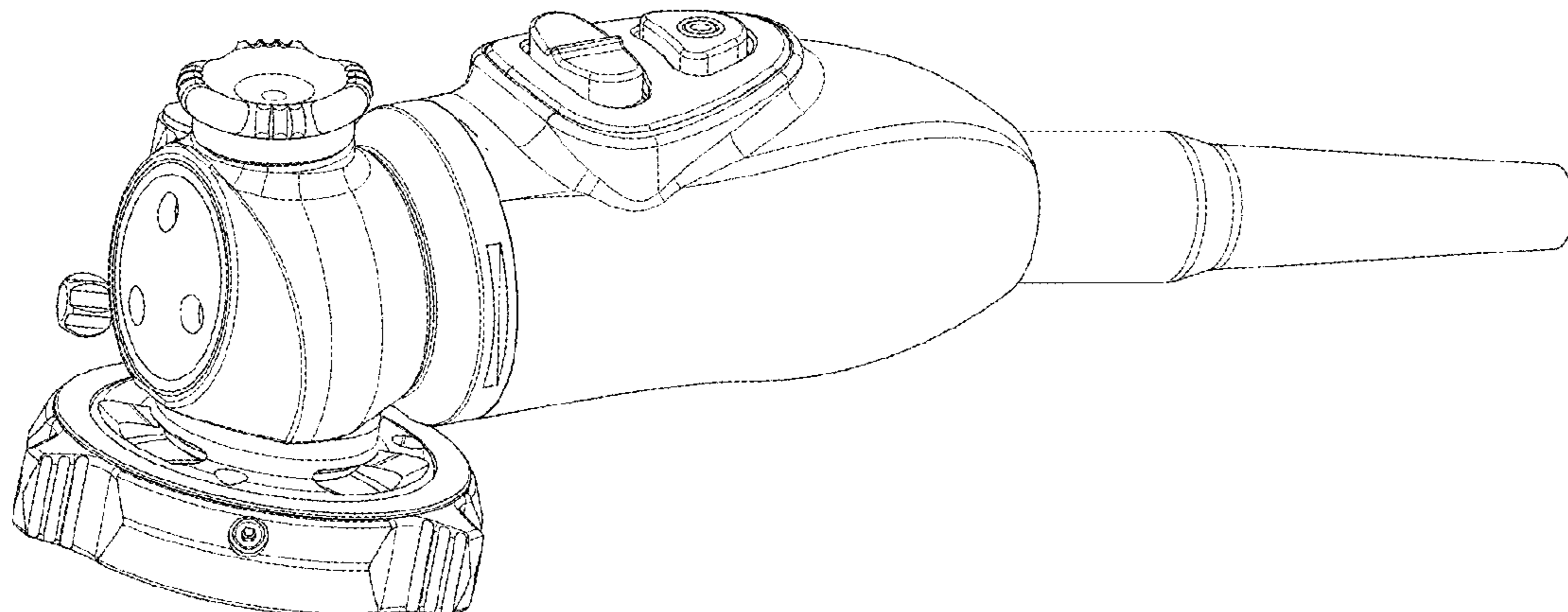
(57) **CLAIM**

The ornamental design for an endoscopic video camera, as shown and described.

DESCRIPTION

FIG. 1 is a front and right side isometric view of an endoscopic video camera in accordance with the new design;
FIG. 2 is a top plan view thereof;
FIG. 3 is a bottom plan view thereof;
FIG. 4 is a right side elevational view thereof;
FIG. 5 is a left side elevational view thereof;
FIG. 6 is a front elevational view thereof; and,
FIG. 7 is a rear elevational view thereof.
The broken lines in the drawings depict environmental subject matter only and form no part of the claimed design.

1 Claim, 7 Drawing Sheets



(56)

References Cited

U.S. PATENT DOCUMENTS

D717,432 S * 11/2014 Leroy D24/138
D720,069 S * 12/2014 Kaercher D24/133
D739,016 S * 9/2015 Berci D24/138
D743,027 S * 11/2015 Renner D24/138
2005/0267329 A1 12/2005 Konstorum et al.
2007/0276183 A1 11/2007 Melder
2010/0069711 A1 3/2010 Deng et al.

* cited by examiner

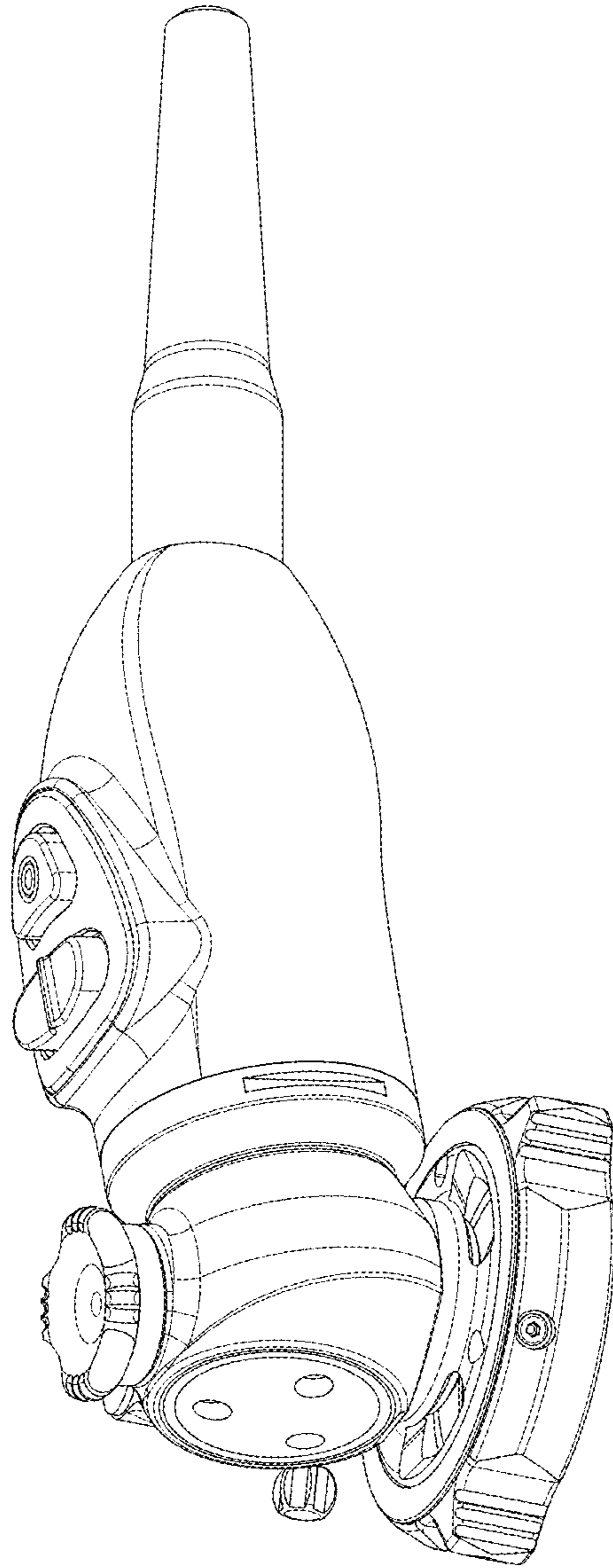


Fig. 1

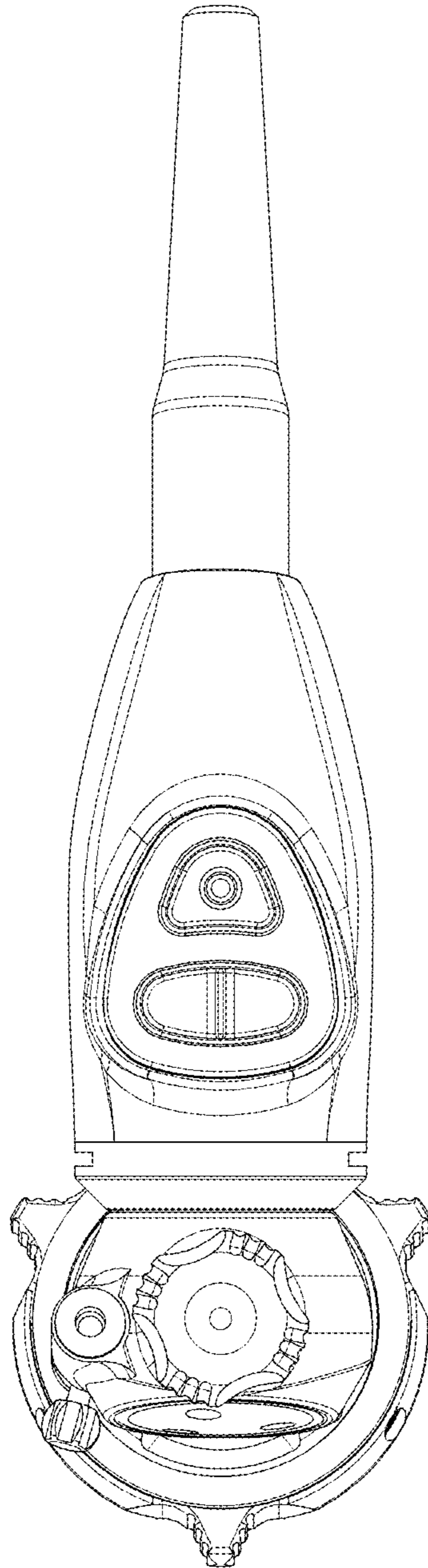


Fig. 2

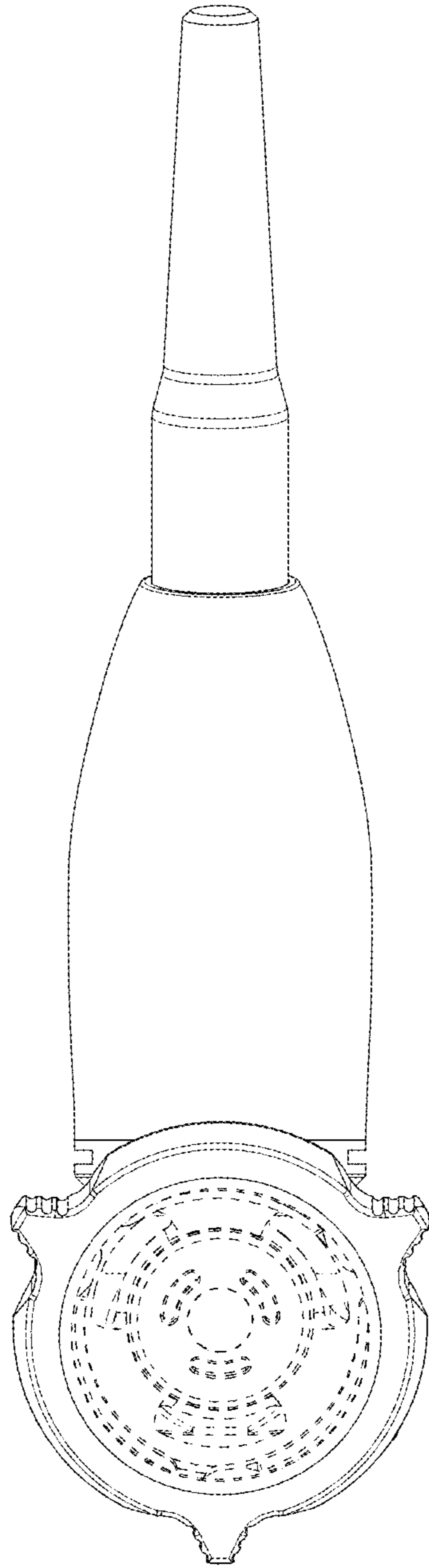


Fig. 3

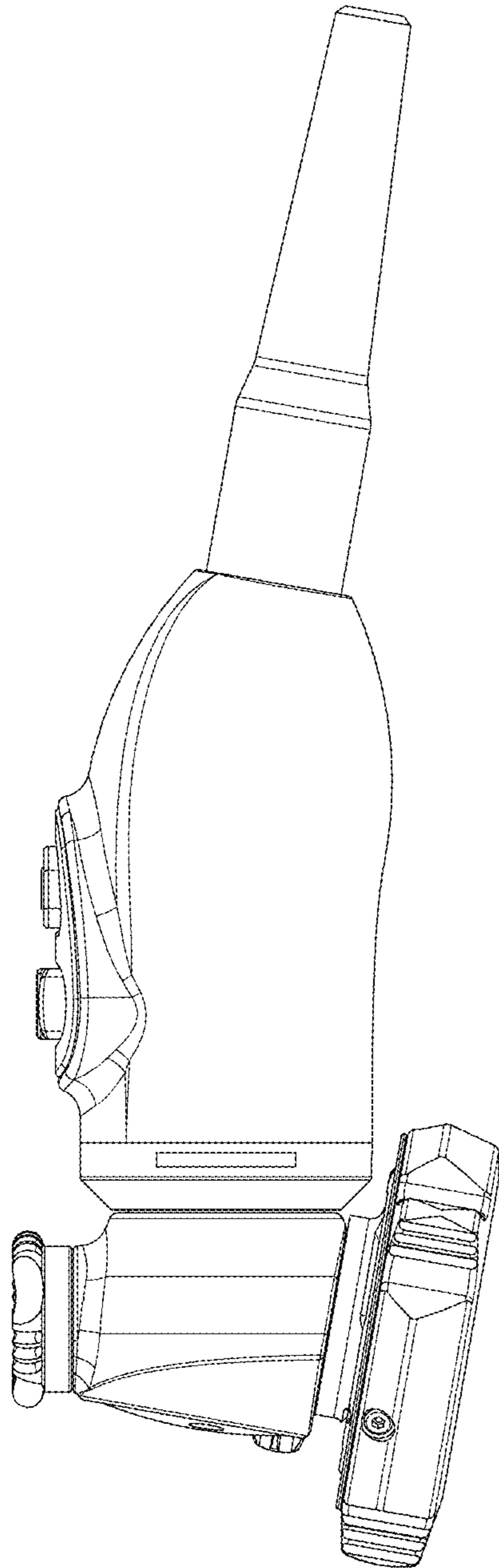


Fig. 4

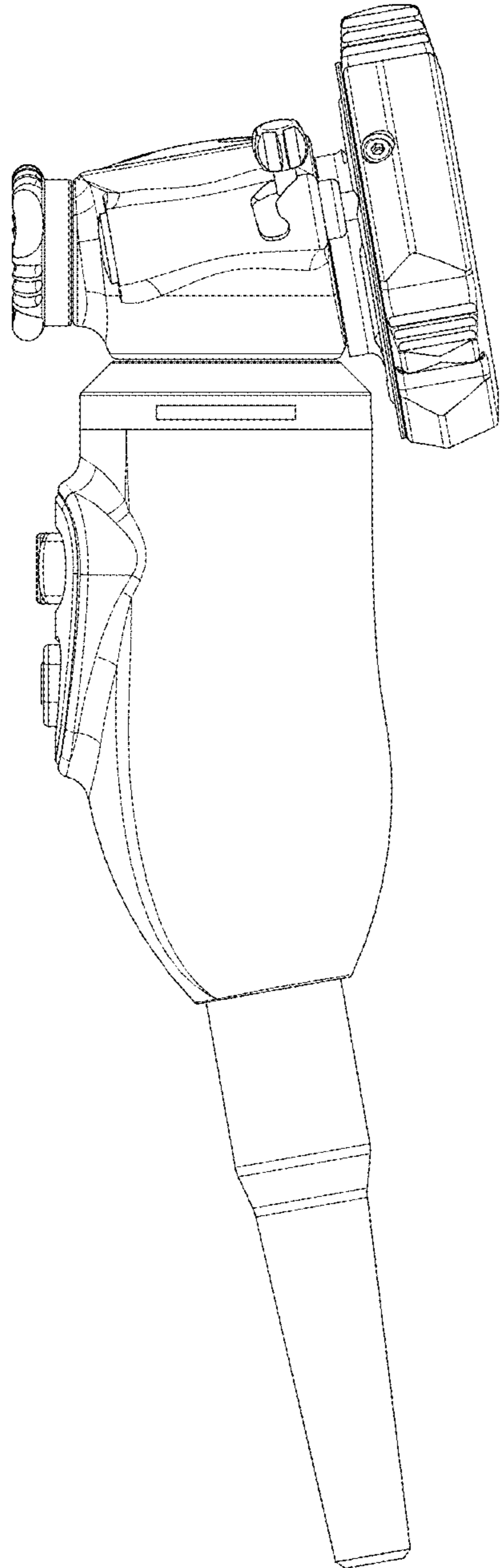


Fig. 5

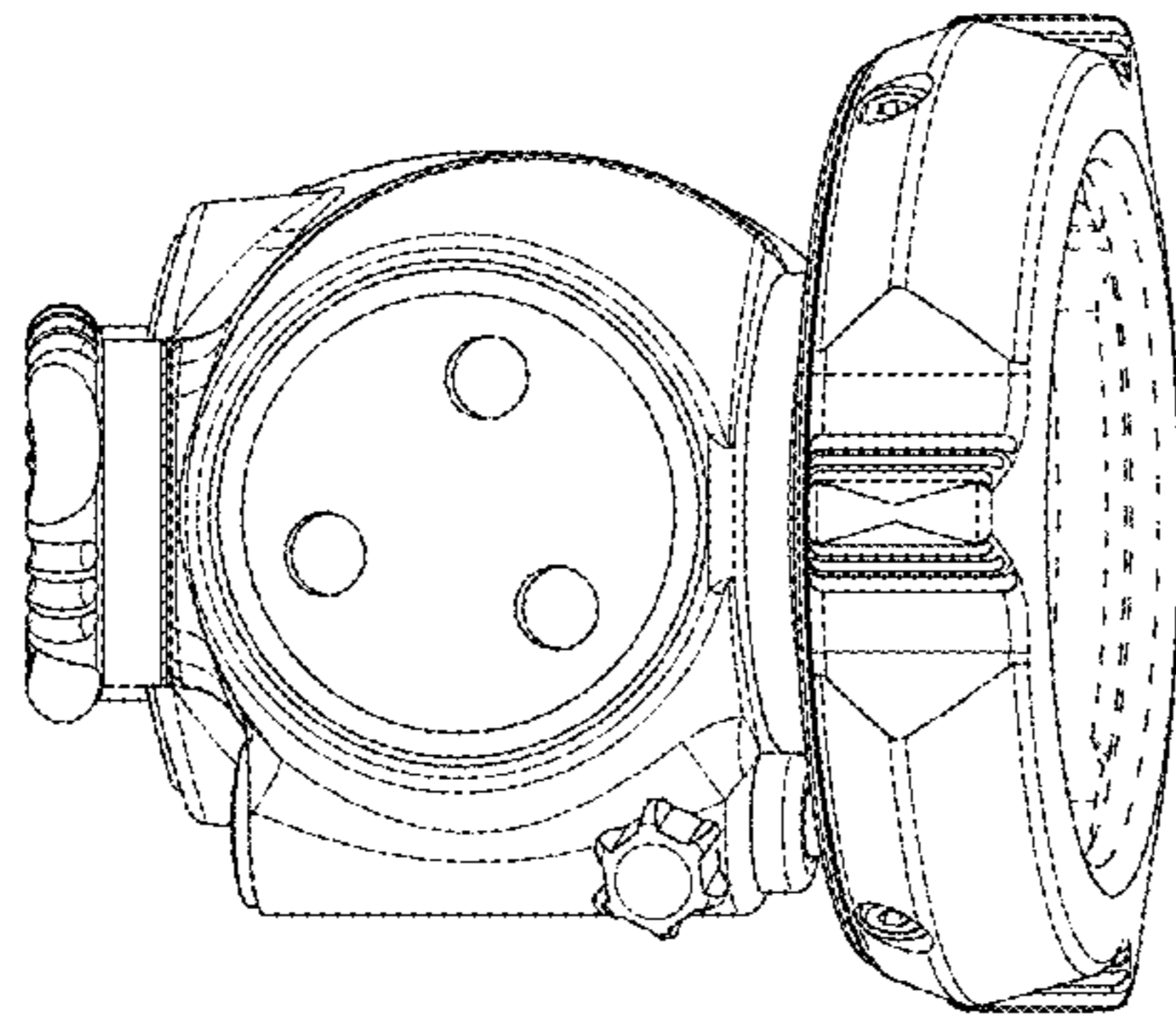


Fig. 6

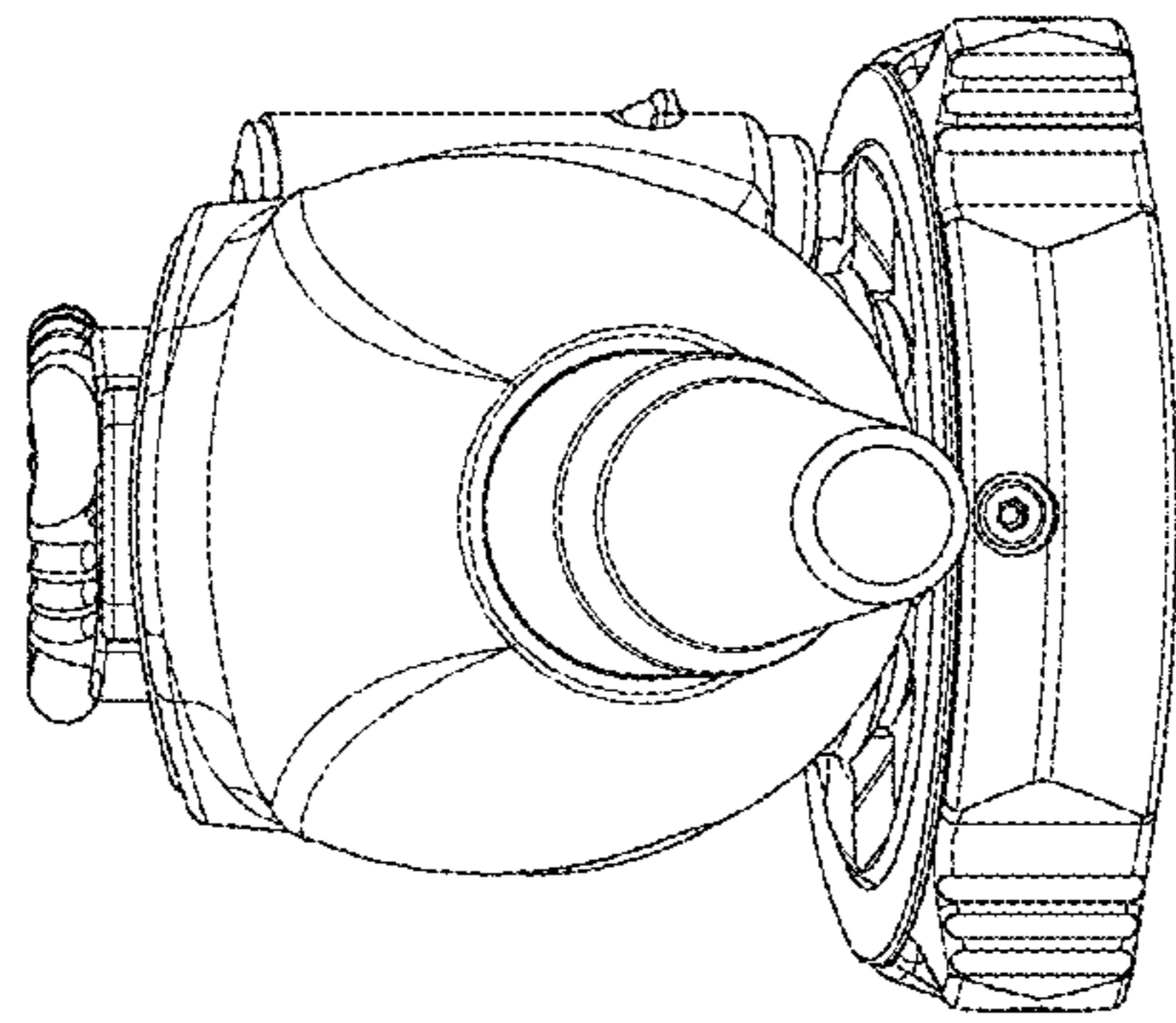


Fig. 7