

US00D777325S

(12) **United States Design Patent** (10) **Patent No.:** **US D777,325 S**
Aneas (45) **Date of Patent:** **** Jan. 24, 2017**

(54) **SYRINGE TIP**
(71) Applicant: **BIOCORP PRODUCTION**, Issoire (FR)
(72) Inventor: **Antoine Aneas**, Menetrol (FR)
(**) Term: **15 Years**
(21) Appl. No.: **35/500,192**
(22) Filed: **Sep. 30, 2015**
(80) **Hague Agreement Data**
Int. Filing Date: **Sep. 30, 2015**
Int. Reg. No.: **DM/087693**
Int. Reg. Date: **Sep. 30, 2015**
Int. Reg. Pub. Date: **Oct. 16, 2015**
(51) **LOC (10) Cl.** **24-02**
(52) **U.S. Cl.**
USPC **D24/130**
(58) **Field of Classification Search**
USPC D24/111, 112, 113, 114, 117, 127, 130,
D24/131, 133, 141, 169; D10/57, 61, 62;
D9/444, 445, 686, 688, 690-692; D8/16,
D8/19, 45
CPC A61M 39/20; A61M 2005/3104;
A61M 5/3213; A61M 2005/3106; A61M
2039/0288; Y10T 137/7062; G21F 5/018;
C12M 23/38; F17C 2205/0308
See application file for complete search history.

(56) **References Cited**
U.S. PATENT DOCUMENTS
D223,043 S * 2/1972 Raines D24/112
D228,691 S * 10/1973 Stockton D24/112
D228,818 S * 10/1973 Valfors D24/112
D257,885 S * 1/1981 Kulle D24/112
D283,921 S * 5/1986 Dyak D24/114
5,098,410 A * 3/1992 Kerby A61M 39/20
215/306

D397,790 S * 9/1998 Naganuma D24/127
D403,063 S * 12/1998 Brandhorst D24/113
D430,290 S * 8/2000 Cindrich D24/112
D450,839 S * 11/2001 Junker D24/130
D451,600 S * 12/2001 Crawford D24/112
D451,601 S * 12/2001 Crawford D24/112
D462,765 S * 9/2002 Niernann D24/112
D497,670 S * 10/2004 Hampson D24/169
D710,005 S * 7/2014 Kawamura D24/130
D715,931 S * 10/2014 Watanabe D24/130
D721,171 S * 1/2015 Murai D24/130
D737,957 S * 9/2015 Wargner D24/112
D753,288 S * 4/2016 Vallotton D24/112
2003/0130622 A1* 7/2003 Tsai A61M 5/3216
604/192
2007/0016146 A1* 1/2007 Yang A61M 25/0631
604/263
2010/0292647 A1* 11/2010 Nardeo A61M 25/0662
604/167.03
2011/0301546 A1* 12/2011 Harms A61M 5/3216
604/192
2016/0151088 A1* 6/2016 Hsu A61M 5/158
604/263

* cited by examiner

Primary Examiner — Barbara Fox
Assistant Examiner — Eliza Bennett-Hattan

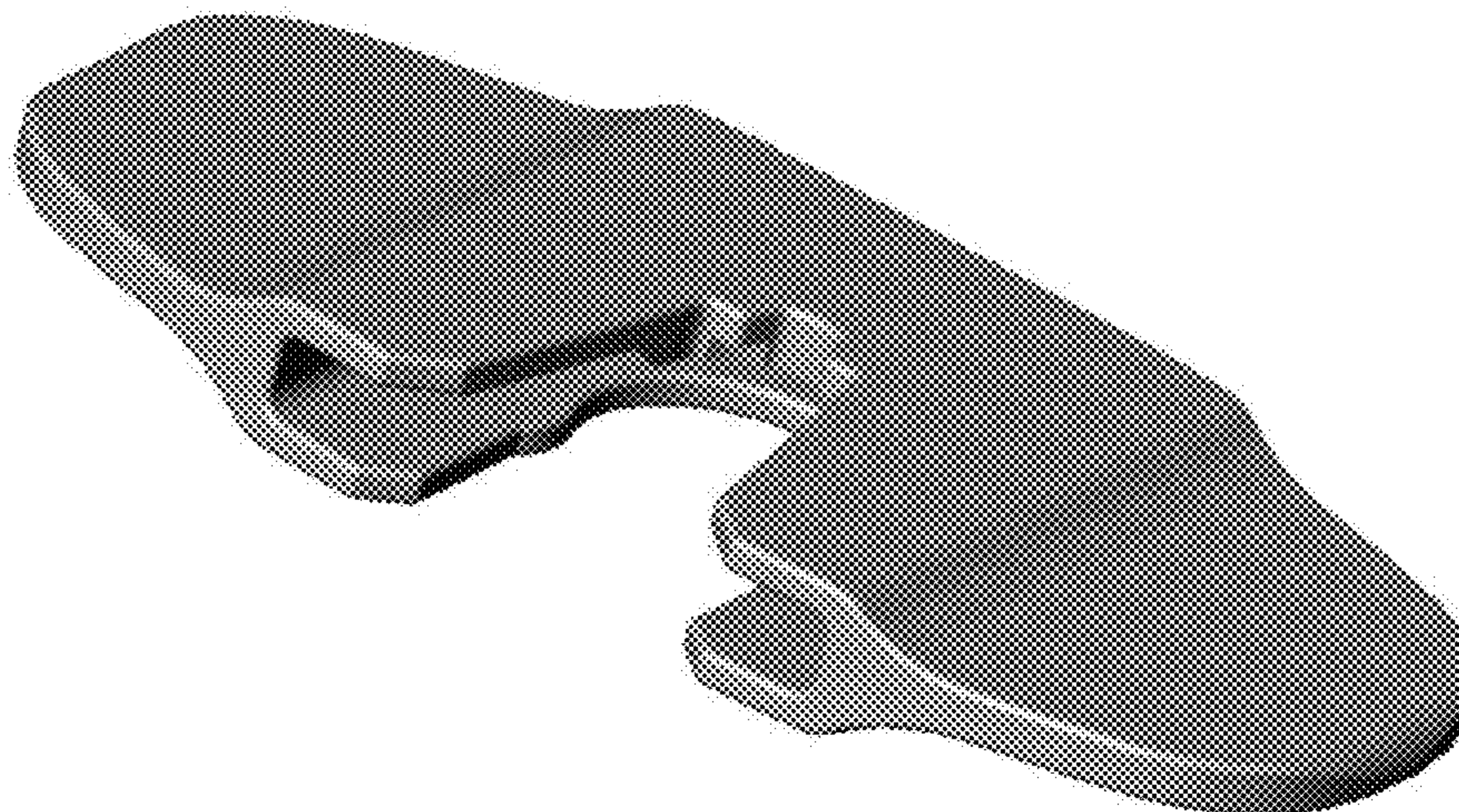
(57) **CLAIM**

The ornamental design for a syringe tip, as shown and described.

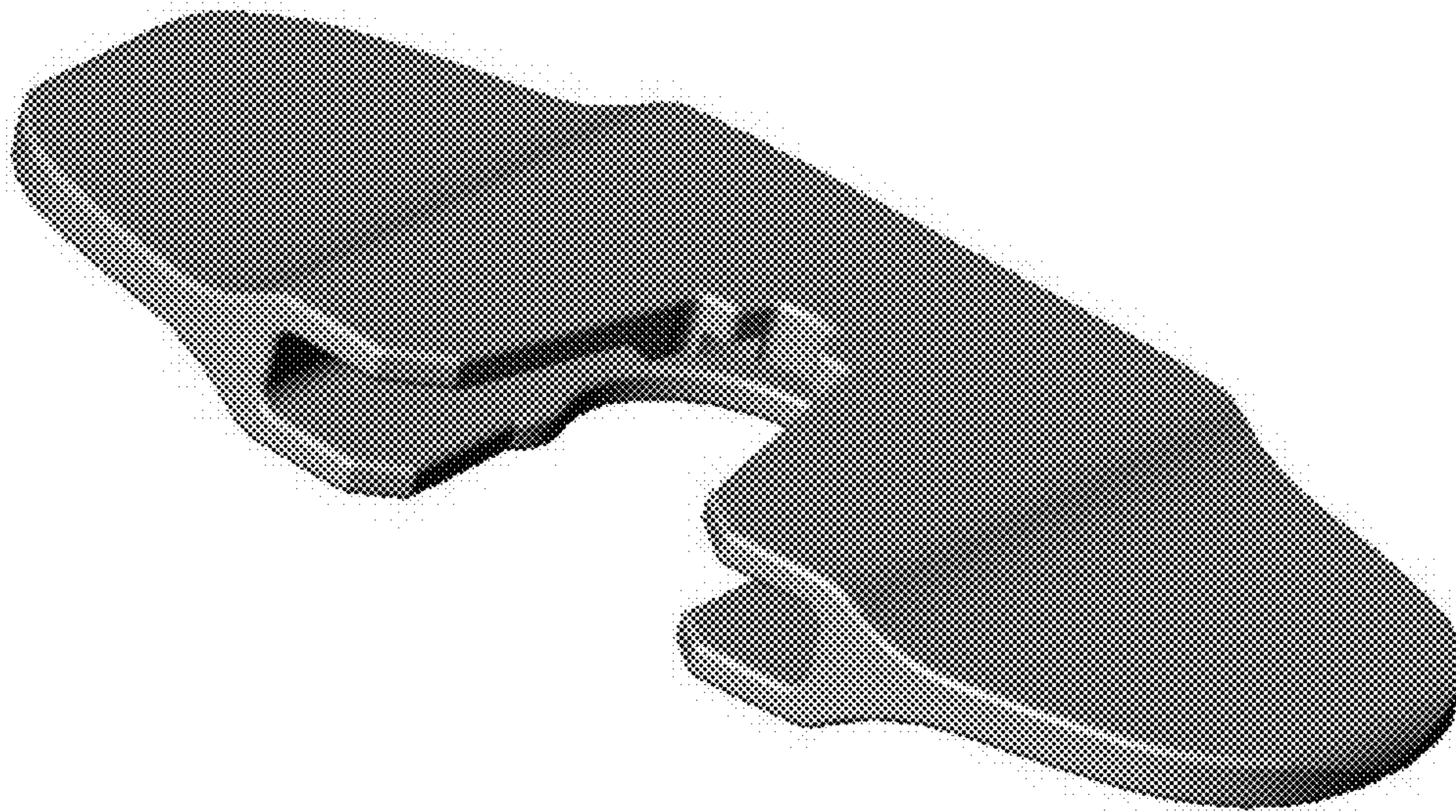
DESCRIPTION

- 1. Syringe tip
- 1.1 : Perspective
- 1.2 : Front
- 1.3 : Back
- 1.4 : Right
- 1.5 : Left
- 1.6 : Top
- 1.7 : Bottom

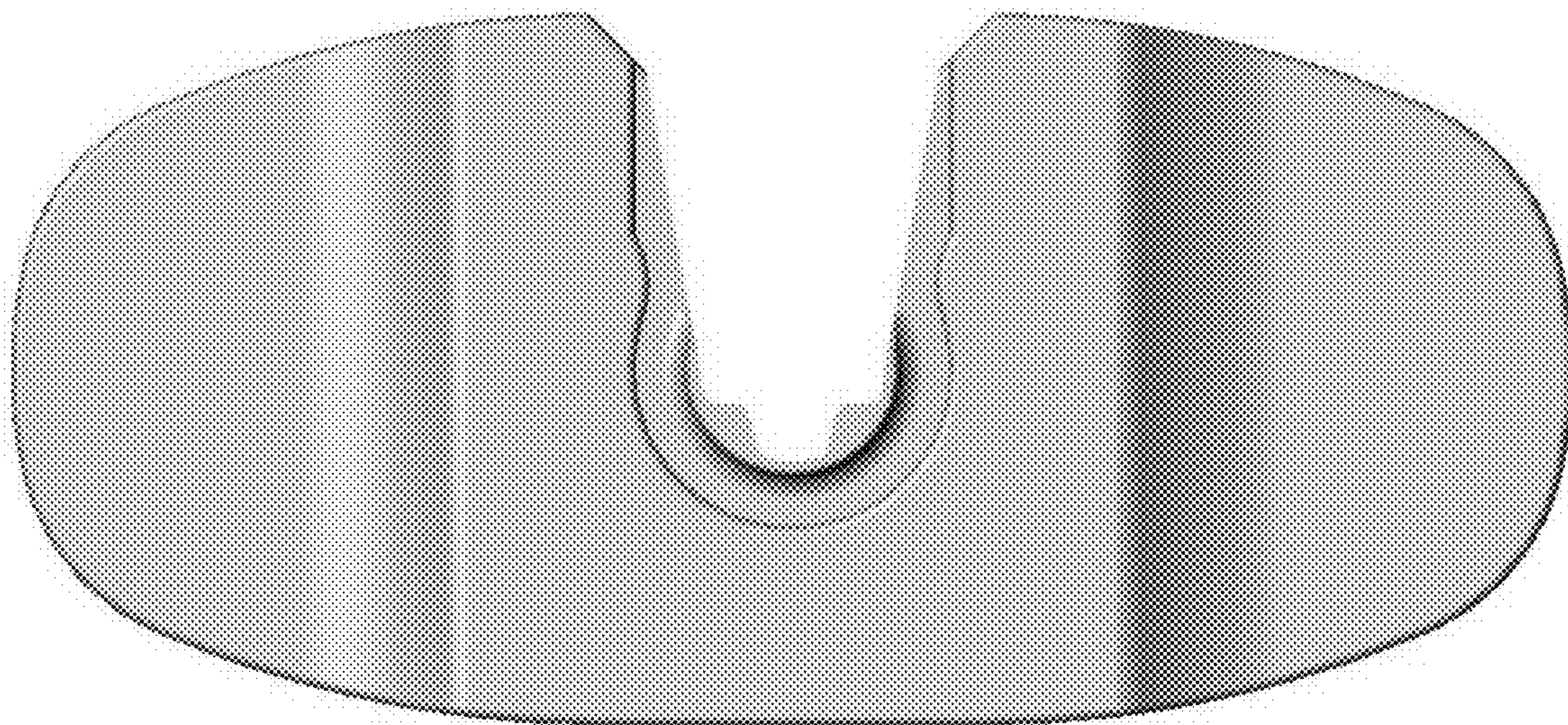
1 Claim, 7 Drawing Sheets



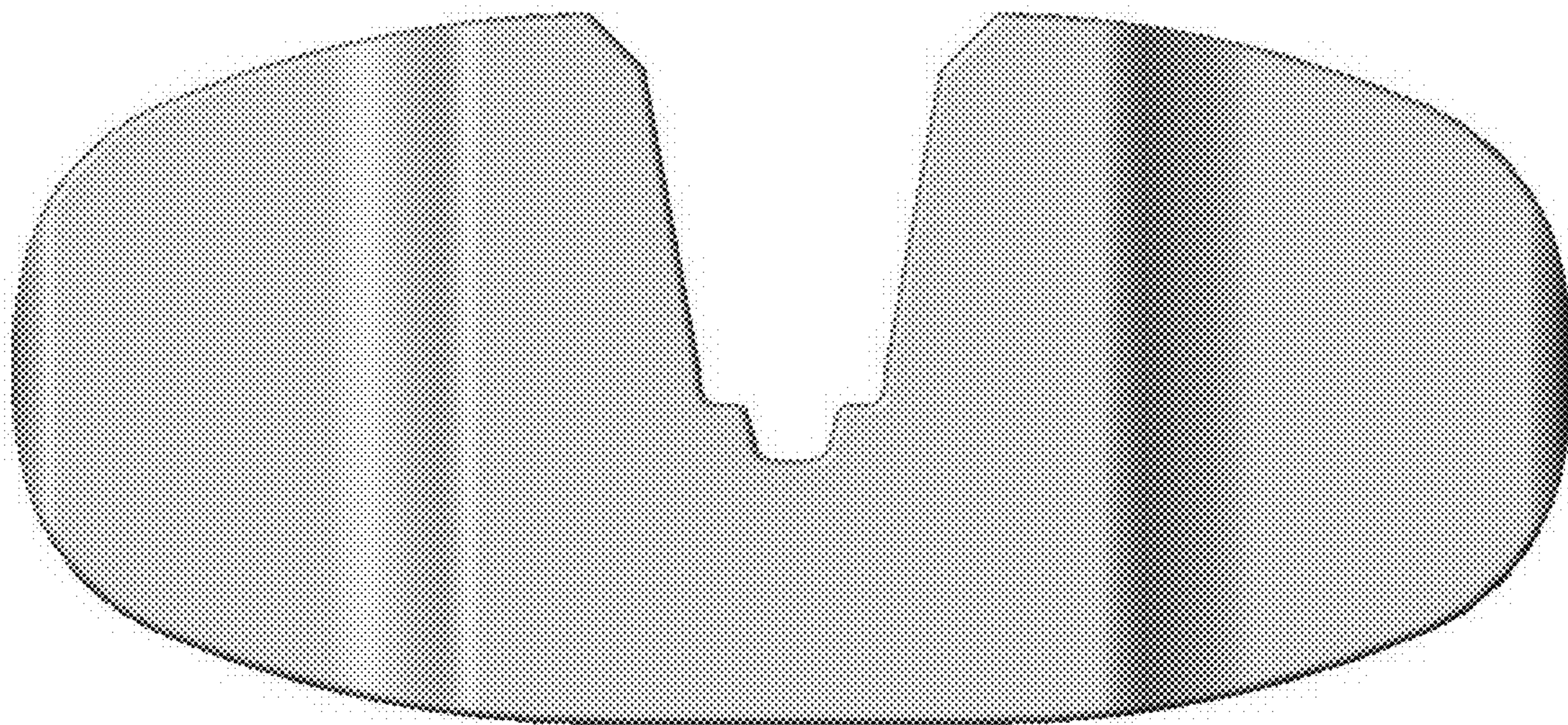
1.1



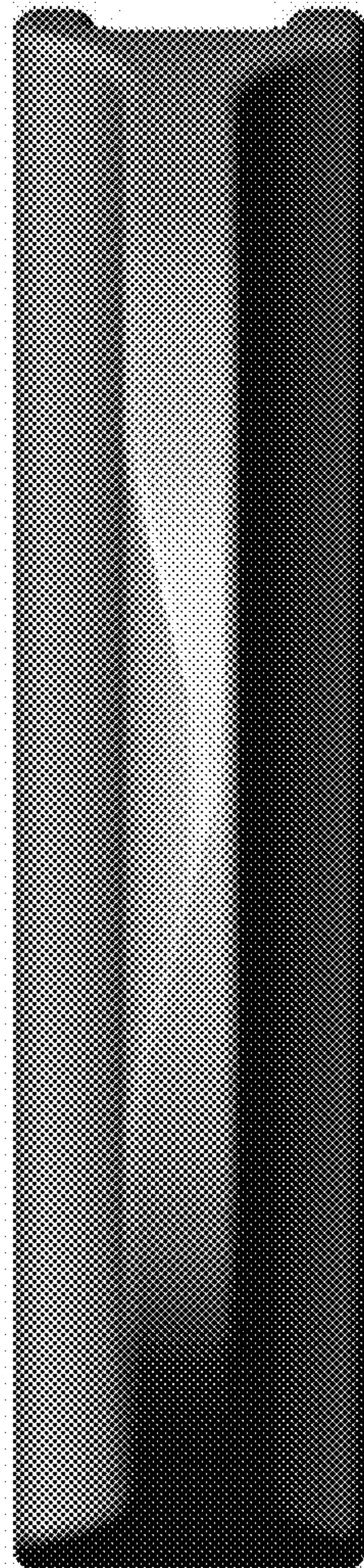
1.2



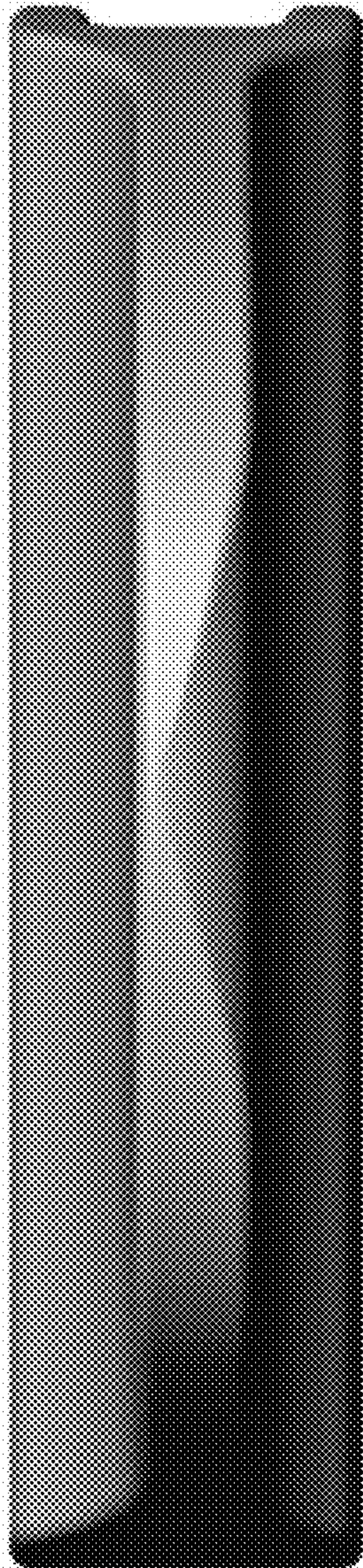
1.3



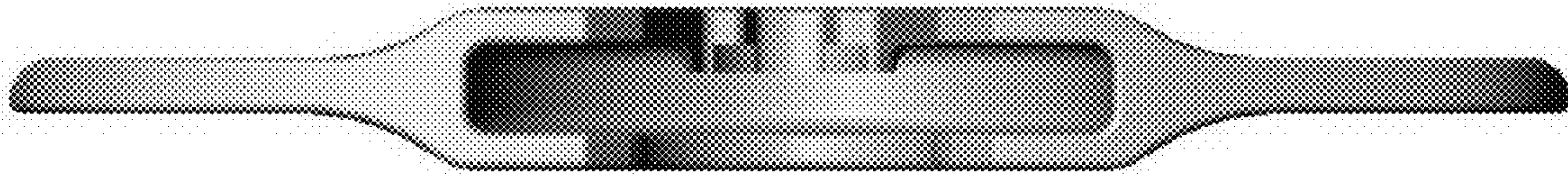
1.4



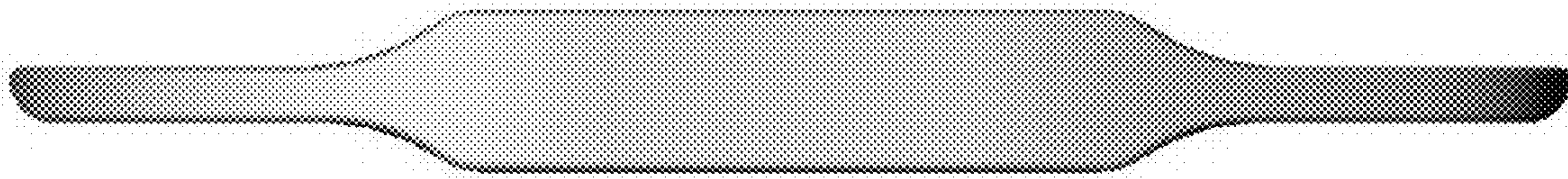
1.5



1.6



1.7



UNITED STATES PATENT AND TRADEMARK OFFICE
CERTIFICATE OF CORRECTION

PATENT NO. : D777,325 S
APPLICATION NO. : 35/500192
DATED : January 24, 2017
INVENTOR(S) : Antoine Aneas

Page 1 of 1

It is certified that error appears in the above-identified patent and that said Letters Patent is hereby corrected as shown below:

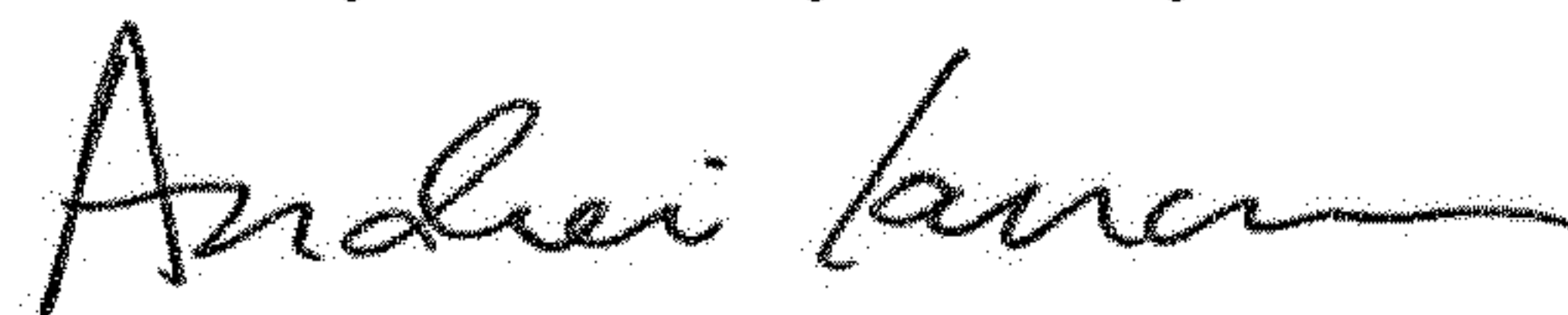
On the Title Page

Please add:

-- (30) **Foreign Application Priority Data**

April 30, 2015 (EUIPO).....002692772 --

Signed and Sealed this
Thirty-first Day of July, 2018



Andrei Iancu
Director of the United States Patent and Trademark Office