



US00D777324S

(12) **United States Design Patent** (10) **Patent No.:** **US D777,324 S**  
**Nguyen et al.** (45) **Date of Patent:** **\*\* Jan. 24, 2017**

- (54) **MEDICAL SHIELD REMOVER**
- (71) Applicant: **Becton Dickinson France, Le**  
Pont-de-Claix (FR)
- (72) Inventors: **Emilie Nguyen**, Garges-lès-Gonesse (FR); **Guillaume Grunhut**, Grenoble (FR)
- (73) Assignee: **Becton Dickinson France, Le**  
Pont-de-Claix (FR)
- (\*\*) Term: **15 Years**
- (21) Appl. No.: **29/556,957**
- (22) Filed: **Mar. 4, 2016**
- (51) **LOC (10) Cl.** ..... **24-02**
- (52) **U.S. Cl.**  
USPC ..... **D24/127**
- (58) **Field of Classification Search**  
USPC D24/127–131, 112–114, 133, 186; 606/181, 606/185; 604/506, 264, 523–528, 272, 604/187, 158, 164.01–164.11, 181, 184, 604/227; 600/101, 139, 143; 128/200.24, 128/207.14, 207.15  
CPC .. A61M 25/065; A61M 5/42; A61M 25/0612; A61M 25/00; A61M 39/00; A61M 27/00; A61M 25/0043; A61M 25/0067; A61M 25/0097; A61F 2/958  
See application file for complete search history.

- D473,646 S 4/2003 Baillargeon et al.  
6,582,397 B2 6/2003 Alesi et al.  
D483,487 S 12/2003 Harding et al.  
D486,225 S \* 2/2004 Gay, III ..... D24/109  
(Continued)

**OTHER PUBLICATIONS**

Corbin, J-V et al., “Medical Injector with Enhanced Grip”, Design U.S. Appl. No. 29/547,831, filed Dec. 8, 2015, 6 pp.  
(Continued)

*Primary Examiner* — David Muller  
(74) *Attorney, Agent, or Firm* — The Webb Law Firm

(57) **CLAIM**

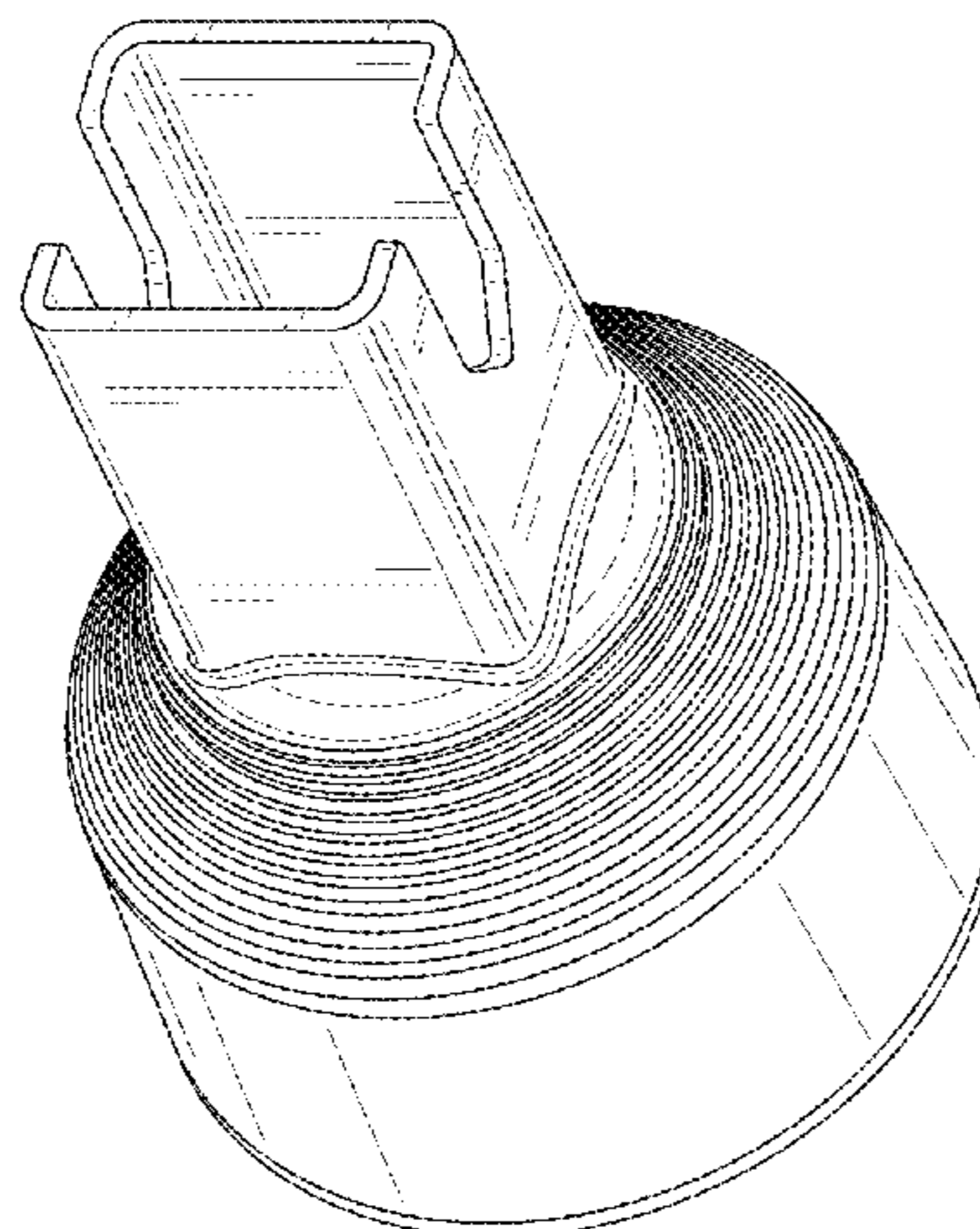
The ornamental design for a medical shield remover, as shown and described.

**DESCRIPTION**

FIG. 1 is a top perspective view of a medical shield remover, in accordance with the present design;  
 FIG. 2 is a bottom perspective view thereof;  
 FIG. 3 is a front elevation view thereof;  
 FIG. 4 is a right side elevation view thereof;  
 FIG. 5 is a rear elevation view thereof;  
 FIG. 6 is a left side elevation view thereof;  
 FIG. 7 is a top plan view thereof;  
 FIG. 8 is a bottom plan view thereof;  
 FIG. 9 is a front elevation view thereof, with a syringe inserted therein;  
 FIG. 10 is a top perspective view thereof, with a syringe inserted therein;  
 FIG. 11 is a bottom perspective view thereof, with a syringe inserted therein; and,  
 FIG. 12 is a perspective exploded view thereof.  
 Portions of the medical shield remover shown in dashed lines in FIGS. 9-11 depict unclaimed portions of the medical shield remover that are included for environmental purposes only.

**1 Claim, 11 Drawing Sheets**

- (56) **References Cited**
- U.S. PATENT DOCUMENTS
- |             |         |                       |
|-------------|---------|-----------------------|
| D239,021 S  | 3/1976  | D’Alo                 |
| 4,365,626 A | 12/1982 | House                 |
| 4,832,695 A | 5/1989  | Rosenberg et al.      |
| 4,929,232 A | 5/1990  | Sweeney et al.        |
| D337,157 S  | 7/1993  | Ortiz                 |
| D375,788 S  | 11/1996 | Potts et al.          |
| D380,262 S  | 6/1997  | Van Funderburk et al. |
| 5,647,849 A | 7/1997  | Kalin                 |
| D427,308 S  | 6/2000  | Zinger                |



(56)

**References Cited**

U.S. PATENT DOCUMENTS

D492,774	S	7/2004	Cindrich et al.	
D497,990	S	11/2004	Jutila	
D505,200	S	5/2005	Simpson et al.	
7,059,327	B2 *	6/2006	Worthington	A61F 2/20 128/200.26
D607,558	S	1/2010	Abry et al.	
D629,510	S	12/2010	Grunhut	
D637,713	S *	5/2011	Nord	D24/129
D655,000	S *	2/2012	Mirigian	D24/130
8,858,507	B2 *	10/2014	Nielsen	A61M 5/3202 604/162
D750,239	S *	2/2016	Pappalardo	D24/130
D750,779	S *	3/2016	Ahluwalia	D24/133
D751,192	S *	3/2016	She	D24/127
D755,966	S *	5/2016	Ahluwalia	D24/133
D755,967	S *	5/2016	Ahluwalia	D24/133
D757,935	S *	5/2016	Solingen	D24/133
D761,422	S *	7/2016	Row	D24/129
D768,850	S *	10/2016	Rozwadowski	D24/130
2001/0044606	A1	11/2001	Inkpen et al.	
2004/0133172	A1	7/2004	Wilkinson	
2004/0210197	A1	10/2004	Conway	
2008/0228147	A1	9/2008	David-Hegerich et al.	
2009/0312705	A1	12/2009	Grunhut et al.	

OTHER PUBLICATIONS

Corbin, J-V et al., "T-Shaped Cap for a Medical Injector", Design U.S. Appl. No. 29/547,832, filed Dec. 8, 2015, 9 pp.

Nguyen, E., "Cap for a Medical Injector Having a Hemispherical Portion", Design U.S. Appl. No. 29/547,834, filed Dec. 8, 2015, 9 pp.

Nguyen, E., "T-Shaped Cap for a Medical Injector", Design U.S. Appl. No. 29/547,839, filed Dec. 8, 2015, 9 pp.

\* cited by examiner

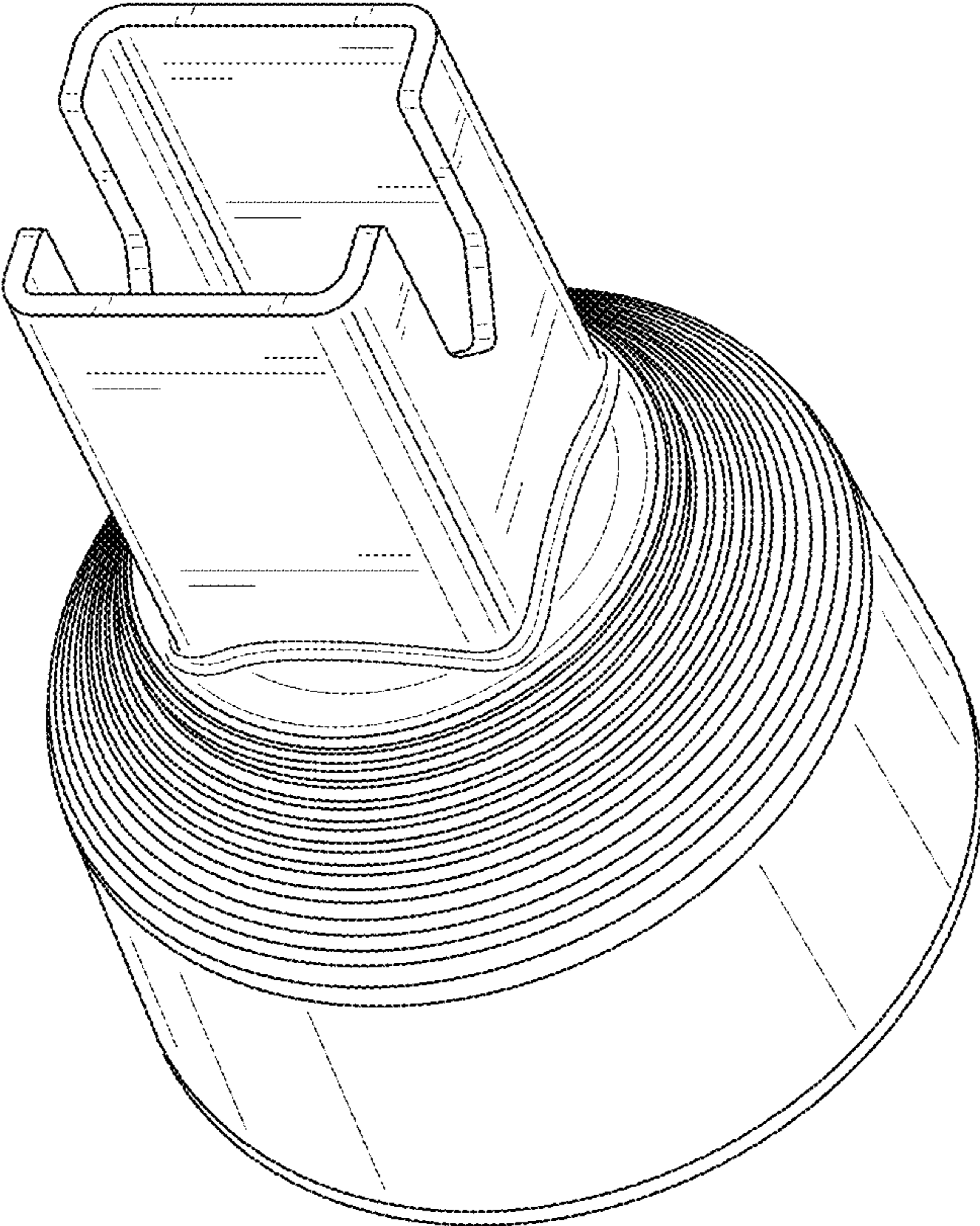


FIG. 1

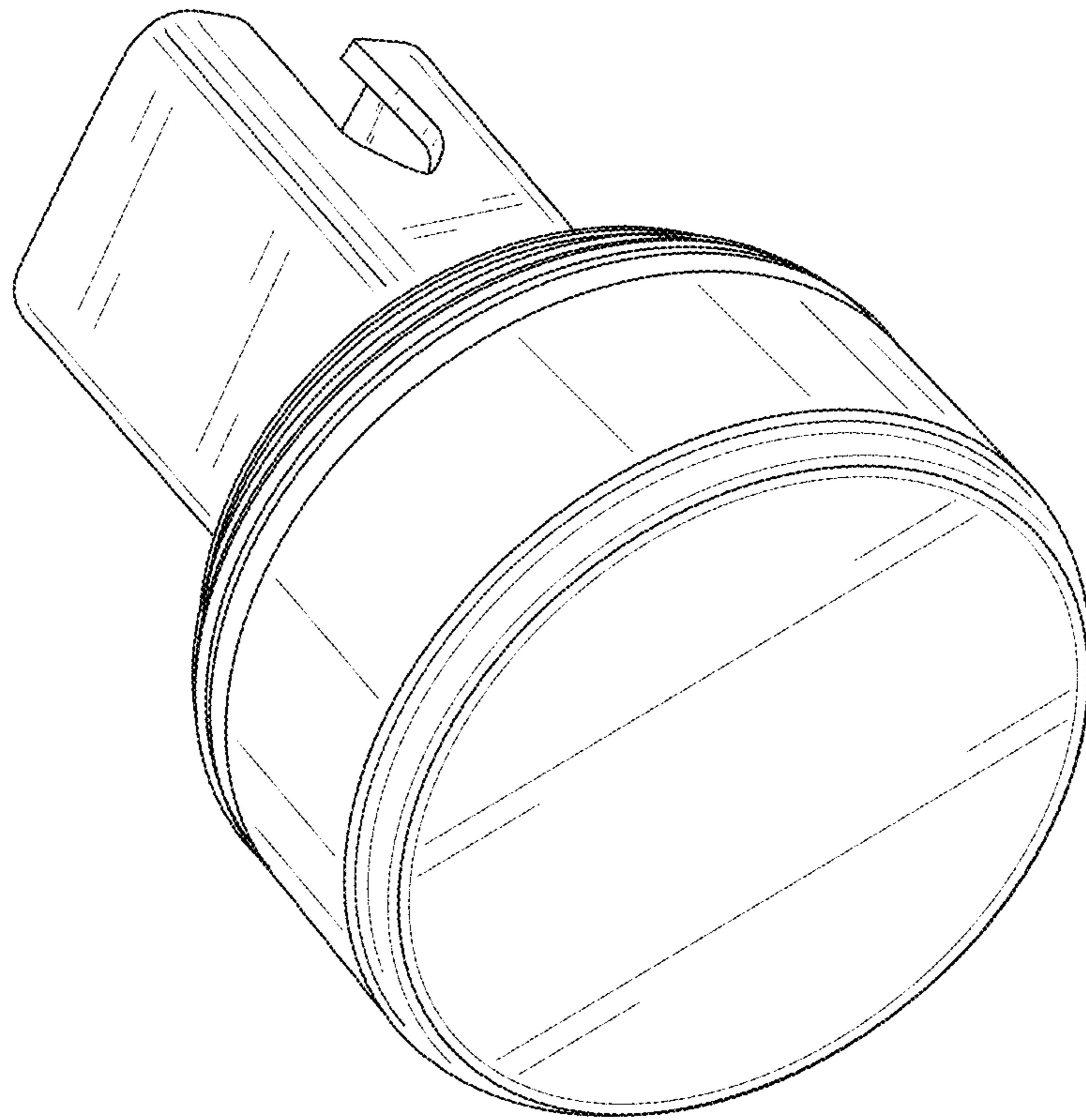


FIG. 2

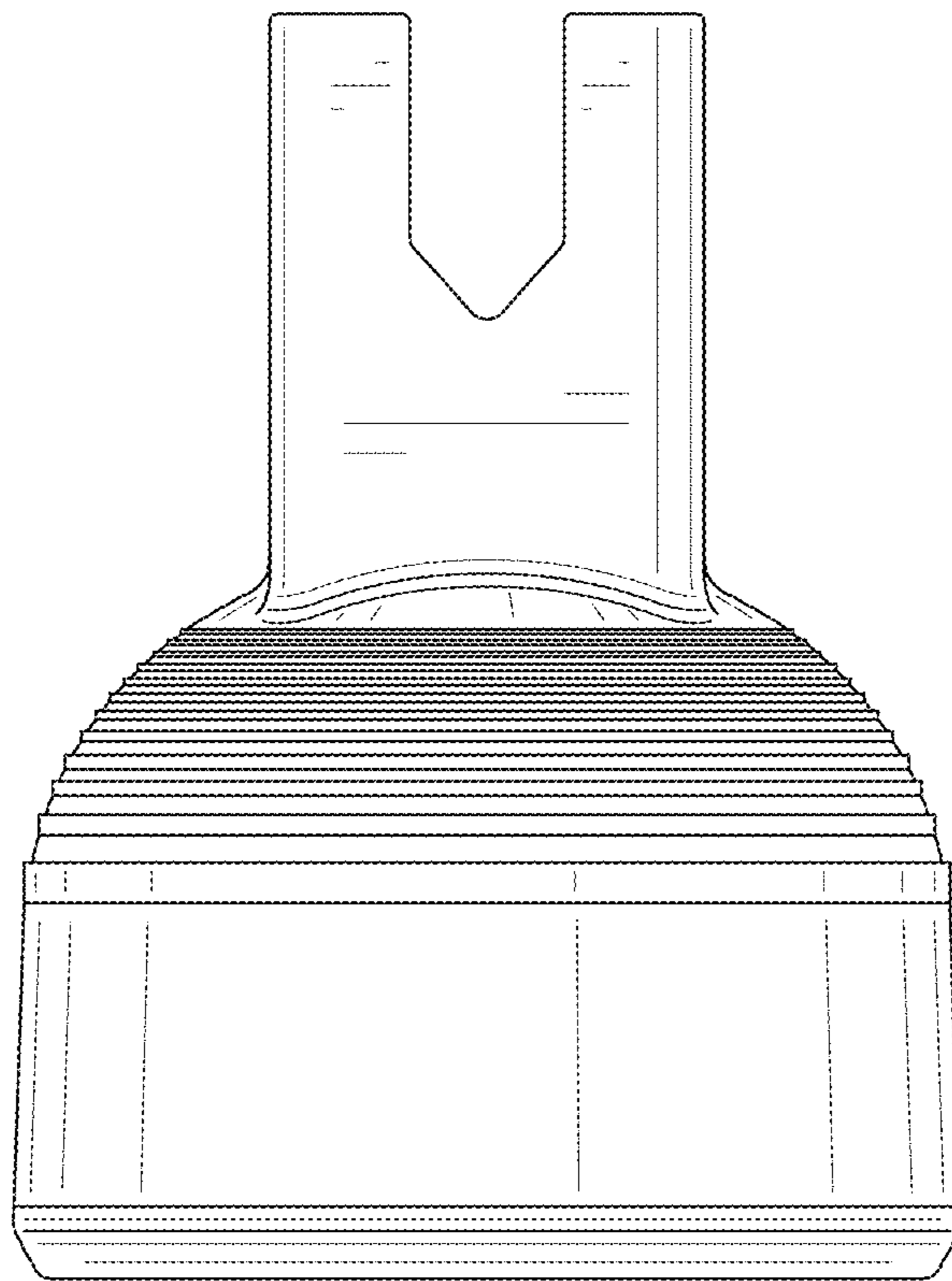


FIG. 3

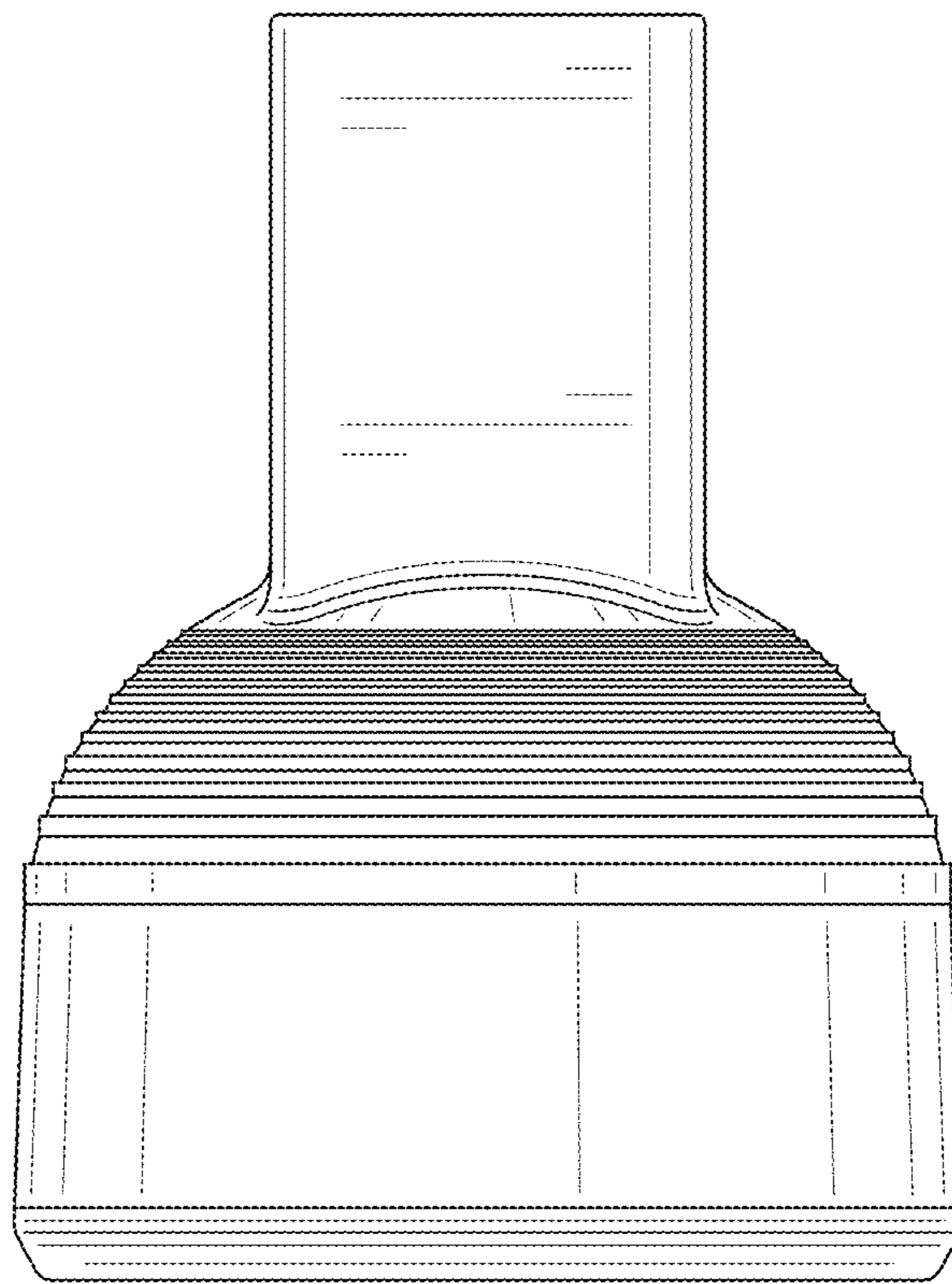


FIG. 4

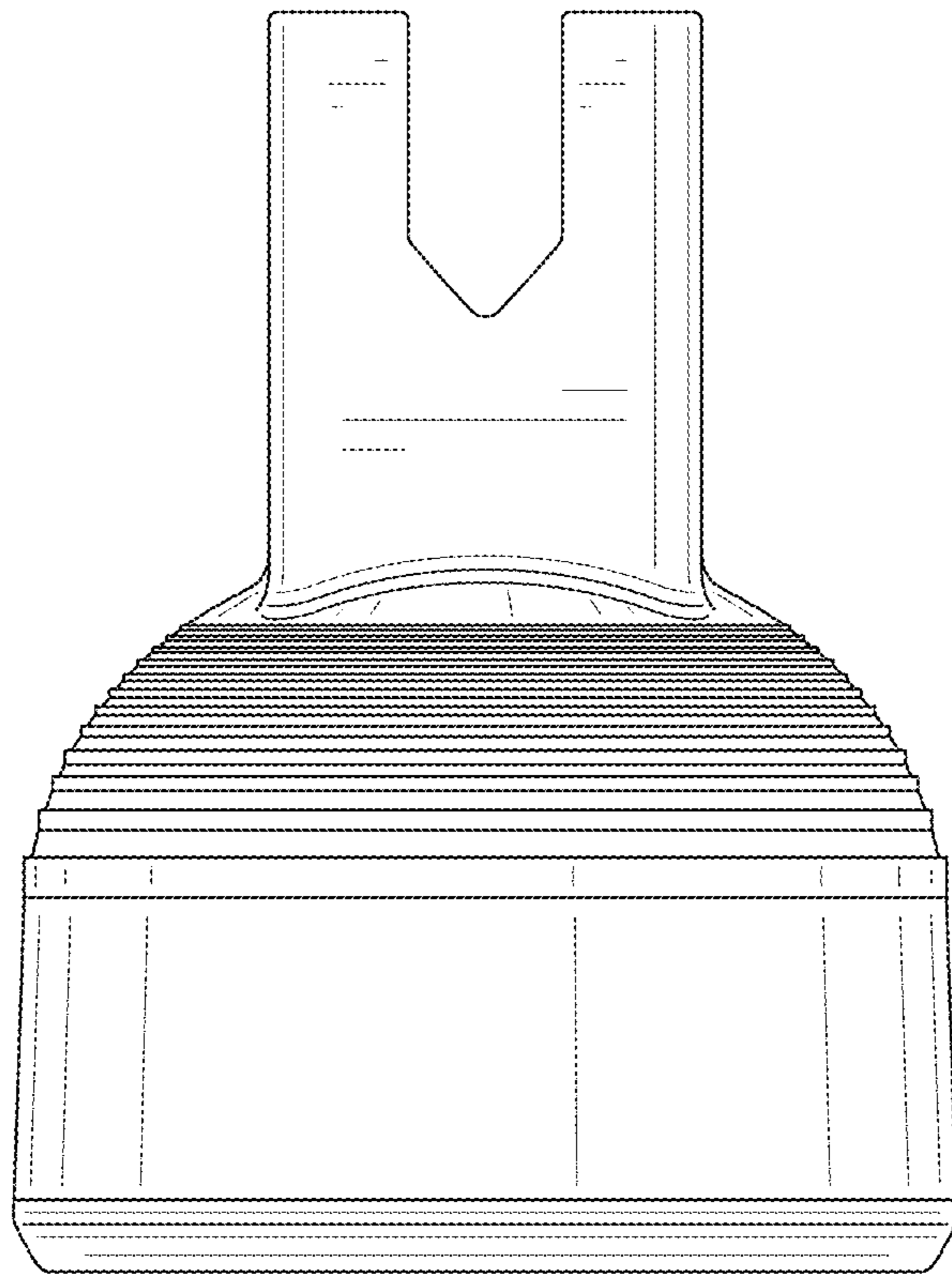


FIG. 5

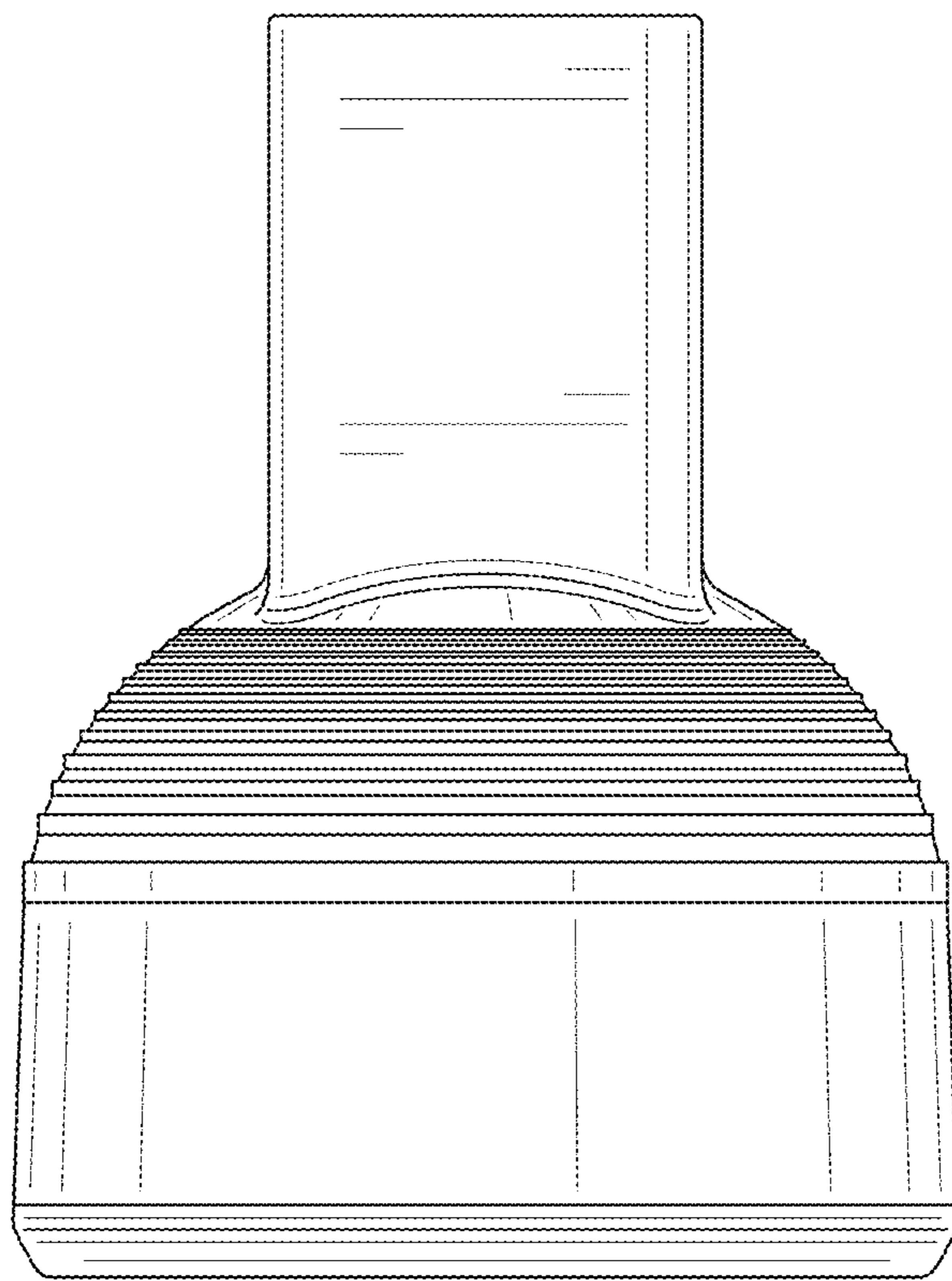


FIG. 6



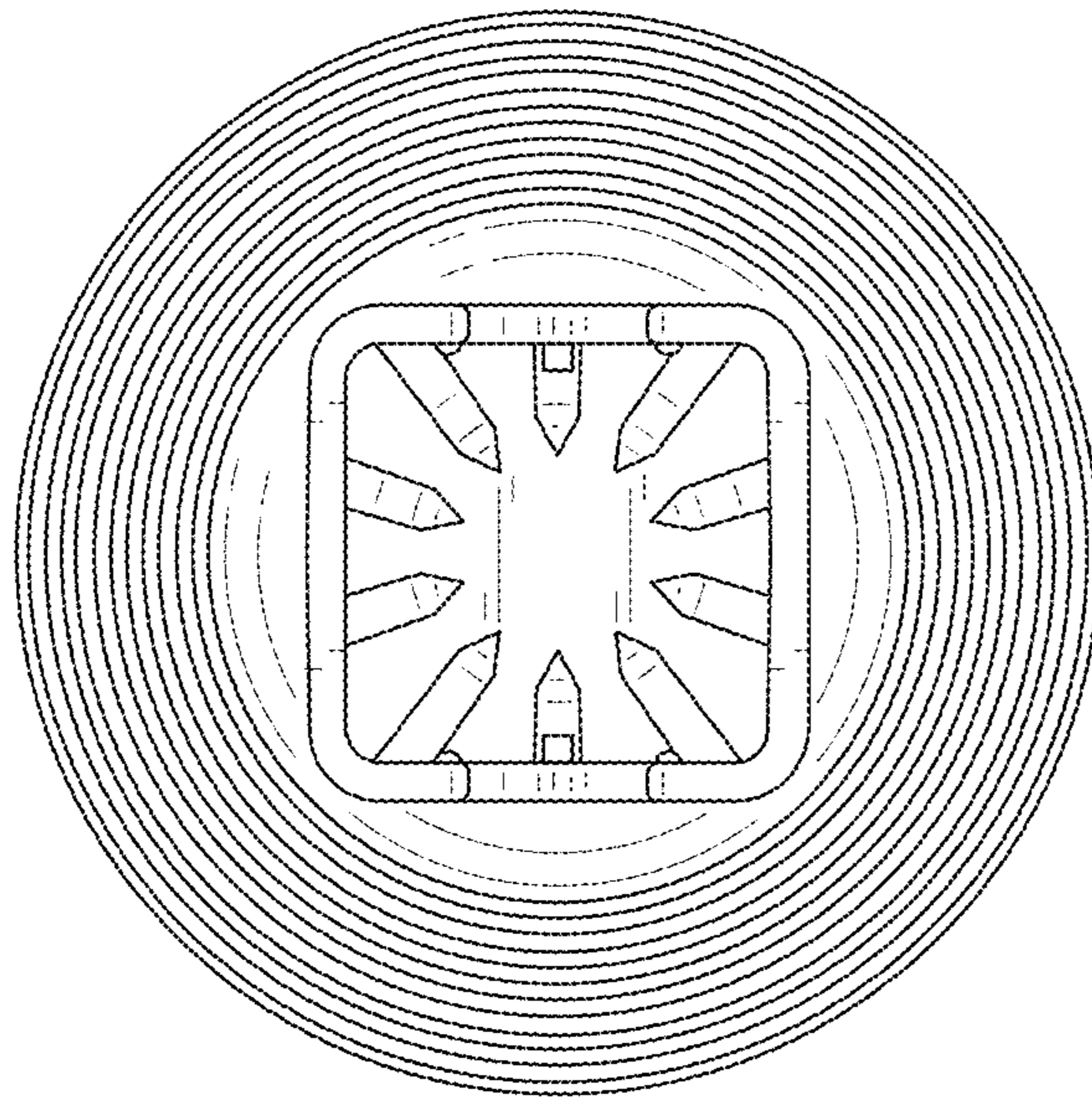


FIG. 7

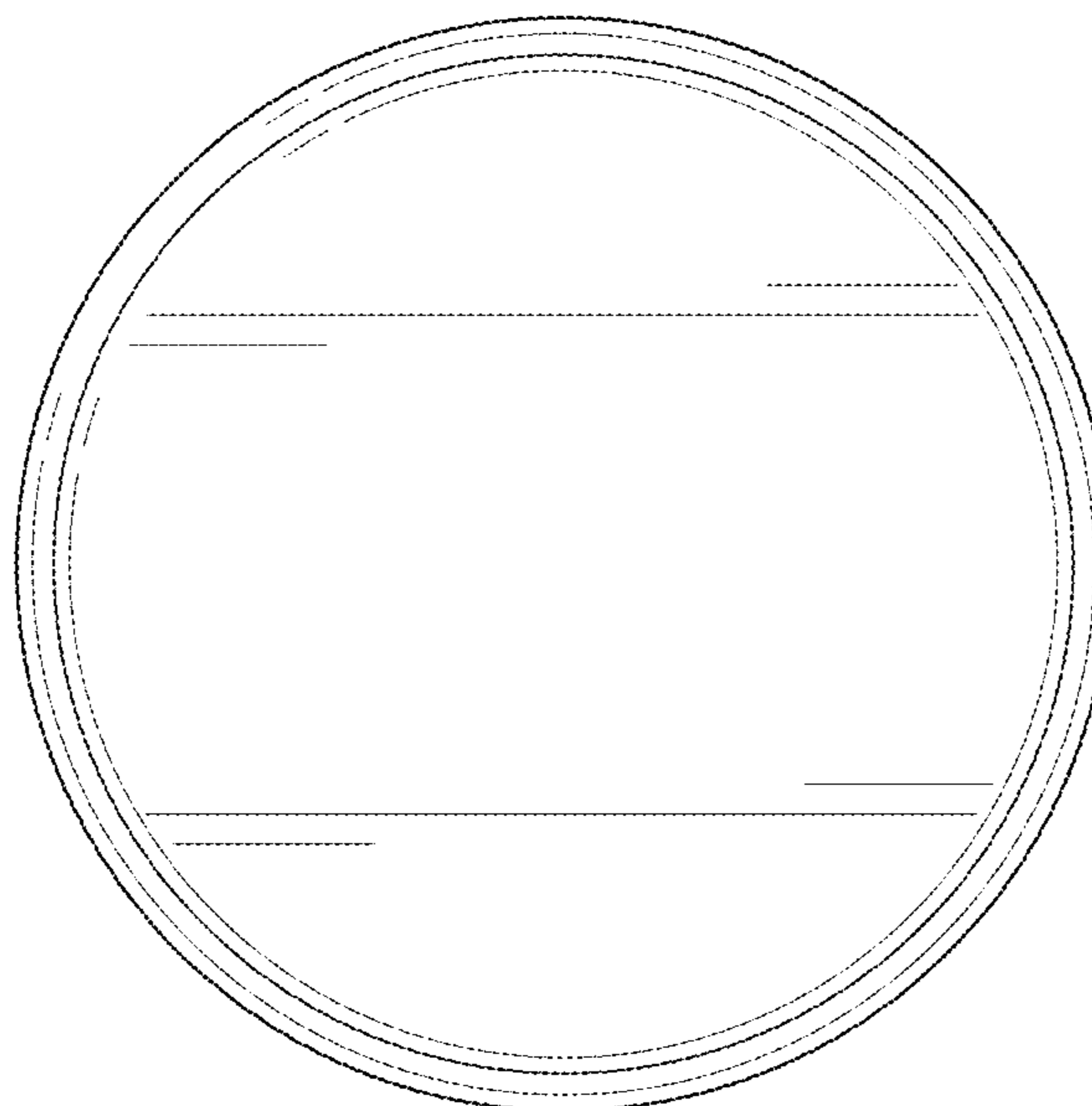


FIG. 8

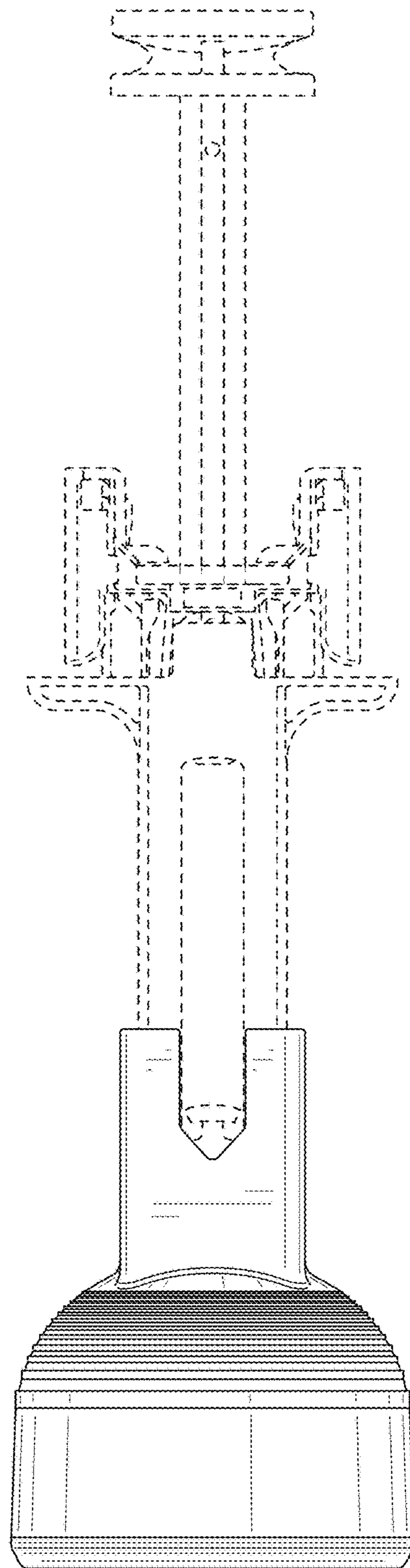


FIG. 9

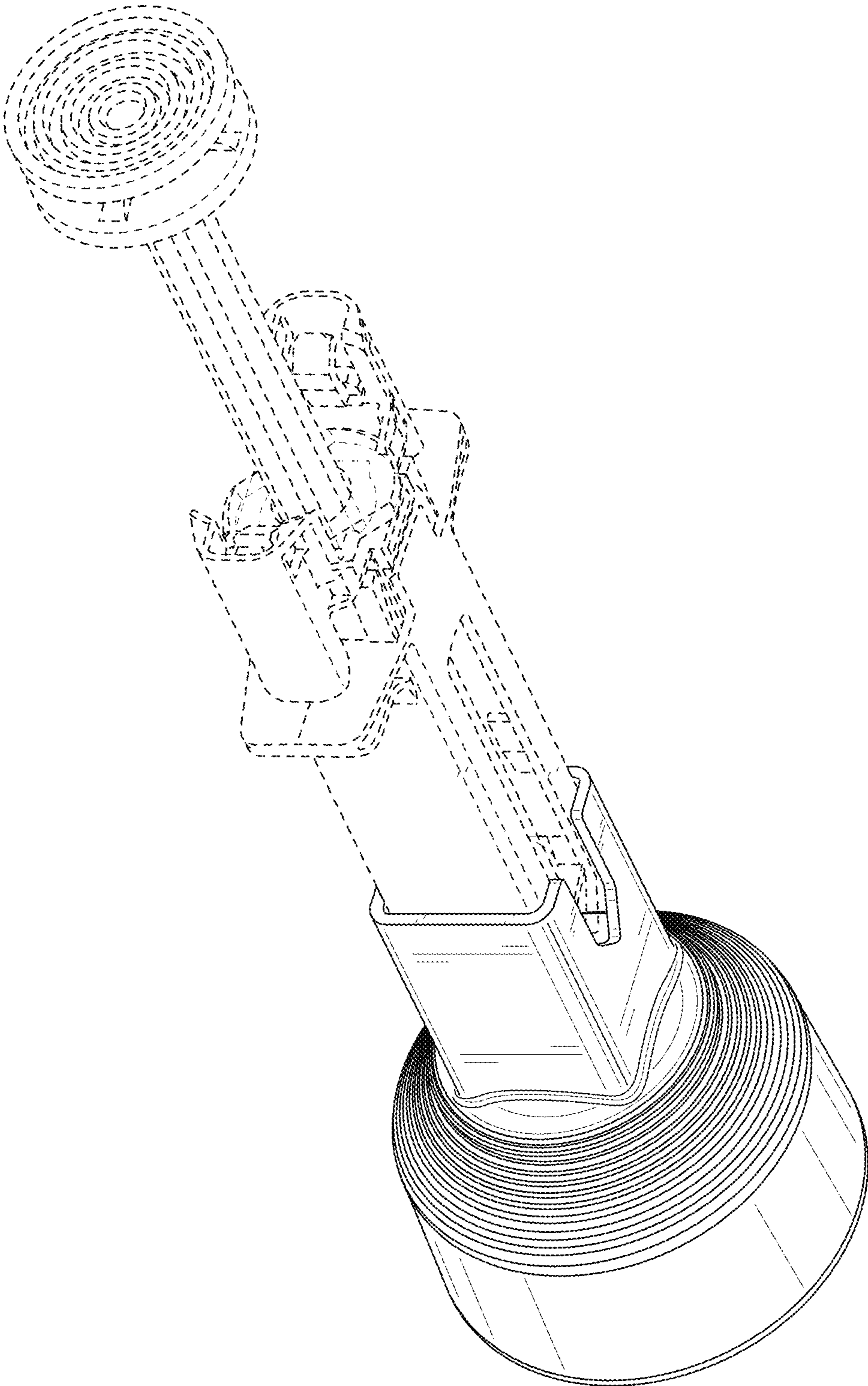


FIG. 10

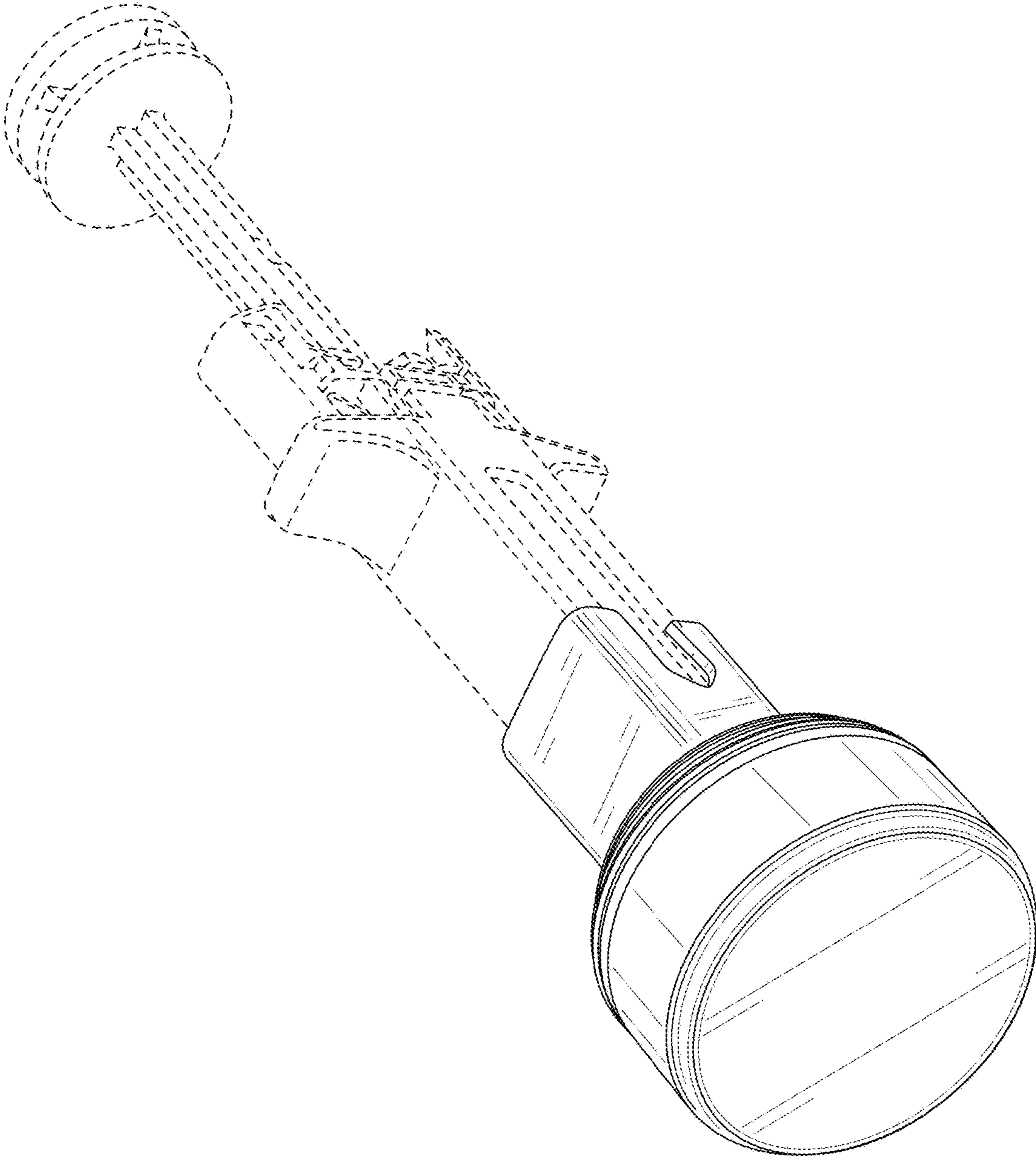


FIG. 11

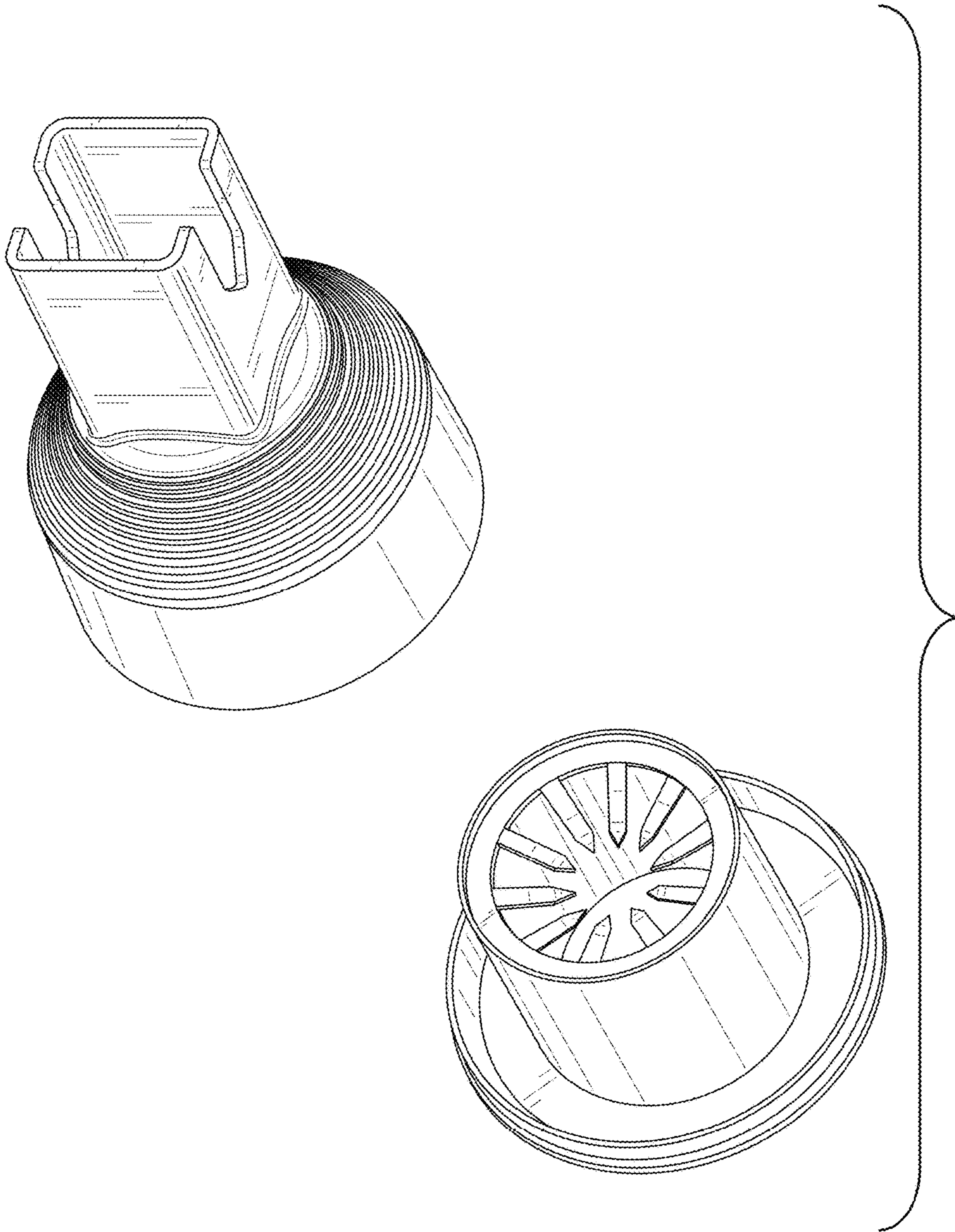


FIG. 12