



US00D777323S

(12) **United States Design Patent**
Honda et al.

(10) **Patent No.:** **US D777,323 S**
(45) **Date of Patent:** **** Jan. 24, 2017**

(54) **MEDICAL CONTAINER**

(71) Applicant: **NIPRO CORPORATION**, Osaka-shi,
Osaka (JP)

(72) Inventors: **Minoru Honda**, Osaka (JP); **Hiroaki Sano**, Osaka (JP)

(73) Assignee: **NIPRO CORPORATION**, Osaka (JP)

(**) Term: **14 Years**

(21) Appl. No.: **29/515,558**

(22) Filed: **Jan. 23, 2015**

(30) **Foreign Application Priority Data**

Aug. 6, 2014 (JP) 2014-017118
Aug. 6, 2014 (JP) 2014-017121
Aug. 6, 2014 (JP) 2014-017122

(51) **LOC (10) Cl.** **24-02**

(52) **U.S. Cl.**
USPC **D24/118**

(58) **Field of Classification Search**
USPC D24/108, 112-114, 118, 127, 130, 133,
D24/140; 604/332, 334, 337, 339;
600/181, 185
See application file for complete search history.

(56) **References Cited**

U.S. PATENT DOCUMENTS

D306,759 S * 3/1990 D'Alo D24/118
D400,253 S * 10/1998 Niedospial, Jr. D24/118
D407,816 S * 4/1999 Barney D24/118
D552,235 S * 10/2007 Inoue D24/118
D555,787 S * 11/2007 Inoue D24/118
D567,940 S * 4/2008 Inoue D24/118
D594,970 S * 6/2009 Inoue D24/118
D600,796 S * 9/2009 Inoue D24/118

D603,042 S * 10/2009 Sato D24/118
D603,957 S * 11/2009 Sato D24/118
D618,340 S * 6/2010 Marshall D24/118

FOREIGN PATENT DOCUMENTS

JP D1199203 S 3/2004
JP D1199451 S 3/2004
JP D1199452 S 3/2004

* cited by examiner

Primary Examiner — Garth Rademaker

Assistant Examiner — Samantha Q Lawrence

(74) *Attorney, Agent, or Firm* — Brinks Gilson & Lione

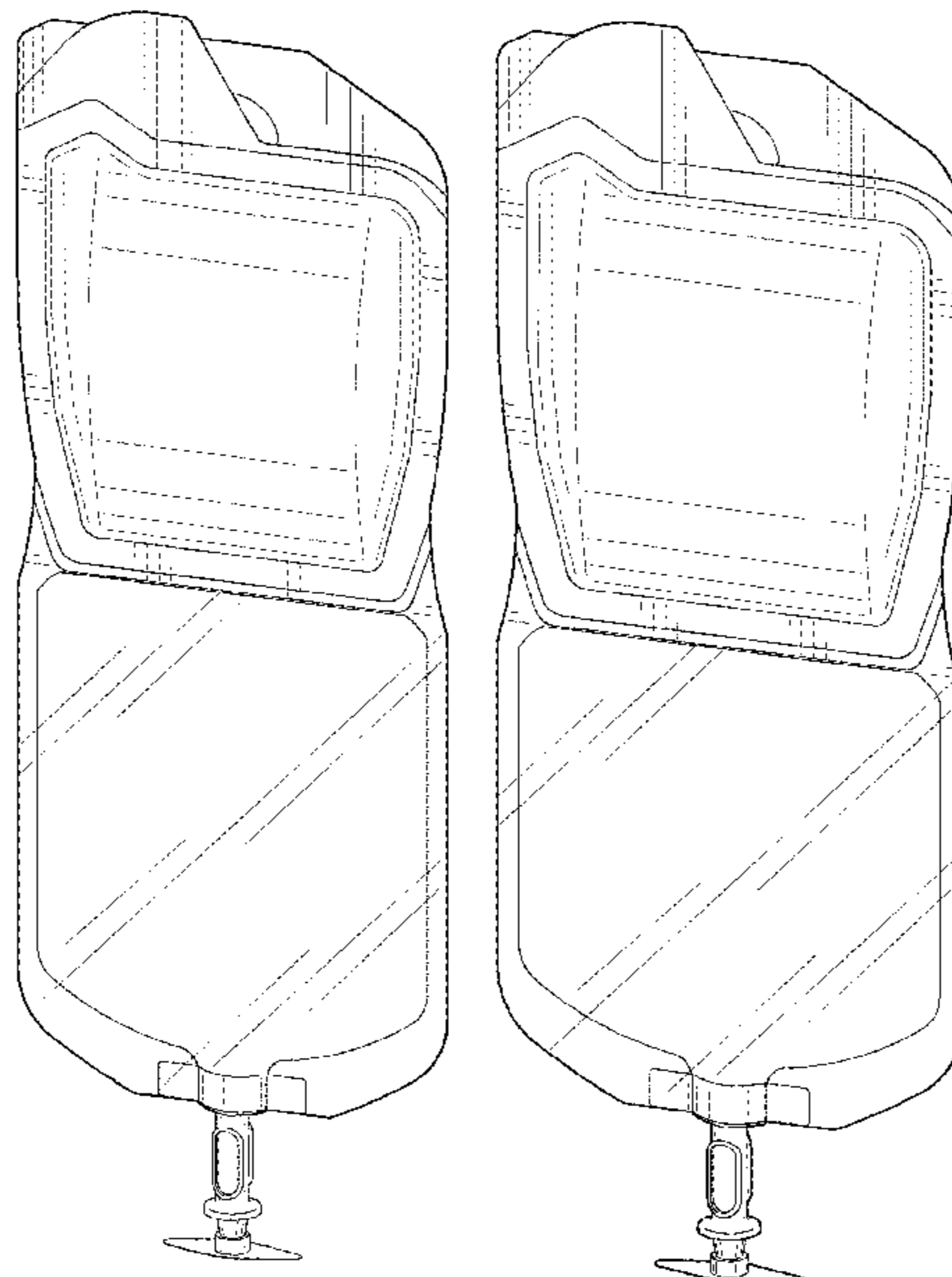
(57) **CLAIM**

We claim the ornamental design for a medical container, as shown and described.

DESCRIPTION

FIG. 1 is a front perspective view of a first embodiment of a medical container of the present invention;
FIG. 2 is a front view thereof;
FIG. 3 is a rear view thereof;
FIG. 4 is a first side view thereof;
FIG. 5 is a second side view thereof;
FIG. 6 is a top view thereof;
FIG. 7 is a bottom view thereof;
FIG. 8 is a front perspective view of a second embodiment of a medical container of the present invention;
FIG. 9 is a front view thereof;
FIG. 10 is a rear view thereof;
FIG. 11 is a first side view thereof;
FIG. 12 is a second side view thereof;
FIG. 13 is a top view thereof; and,
FIG. 14 is a bottom view thereof.

1 Claim, 12 Drawing Sheets



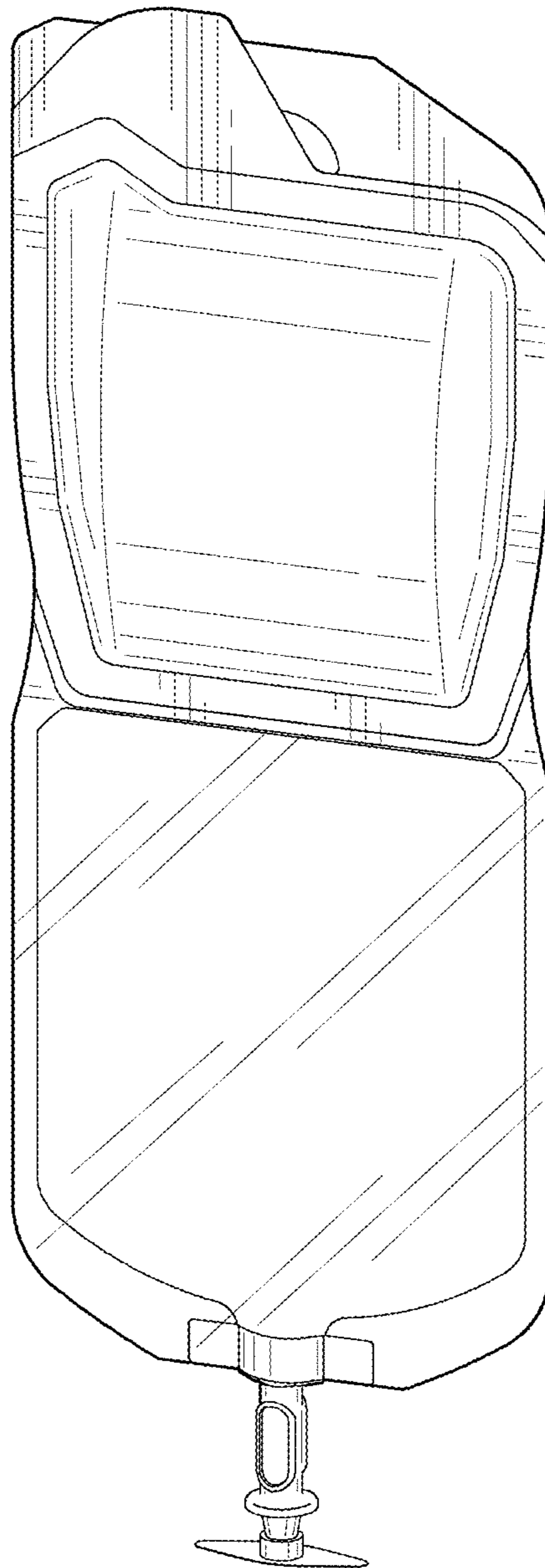


FIG. 1

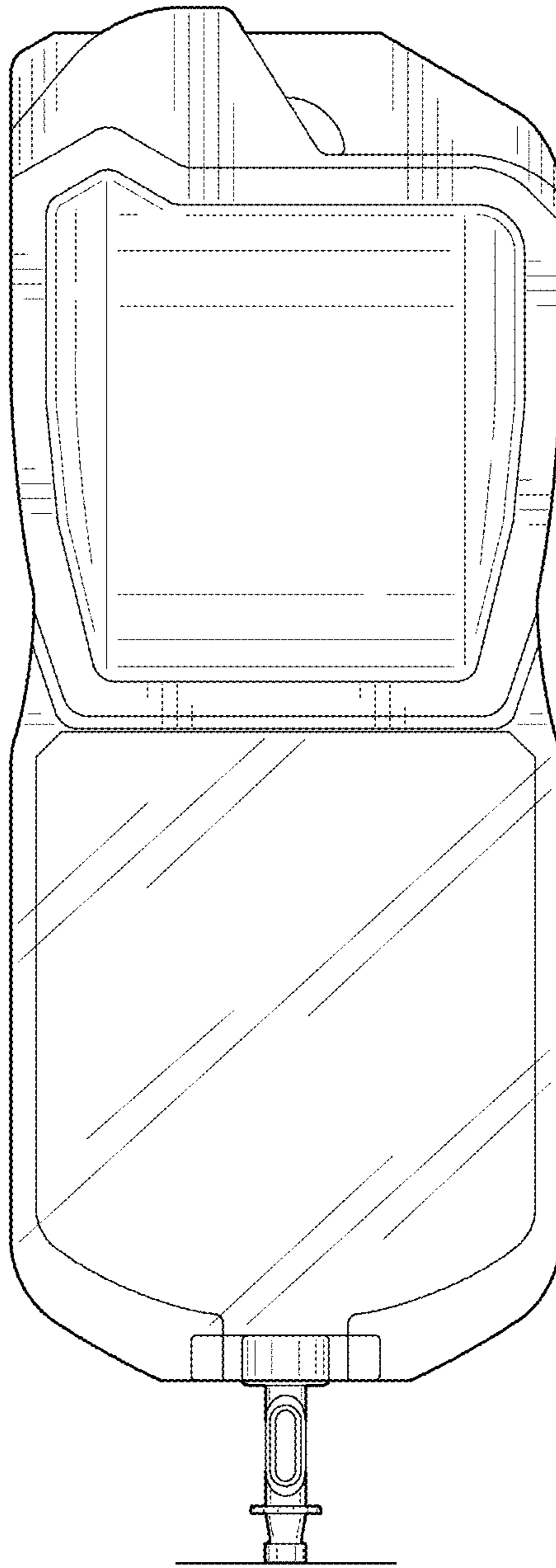


FIG. 2

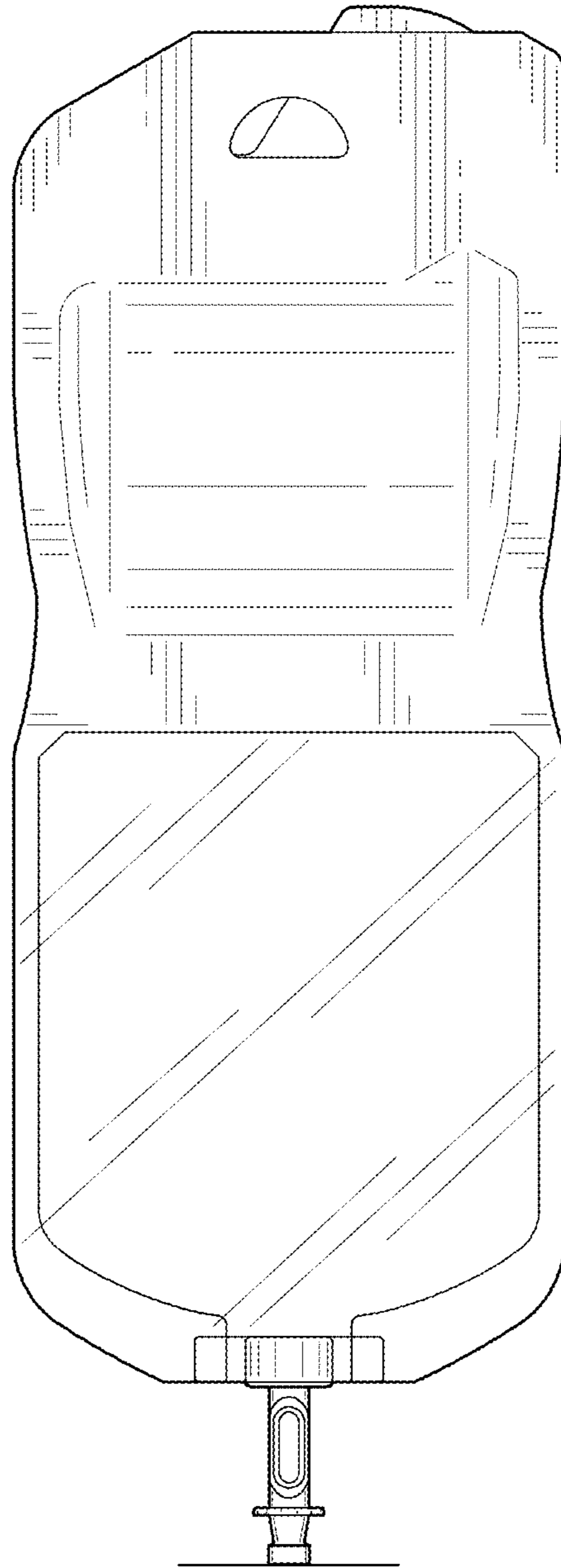


FIG. 3

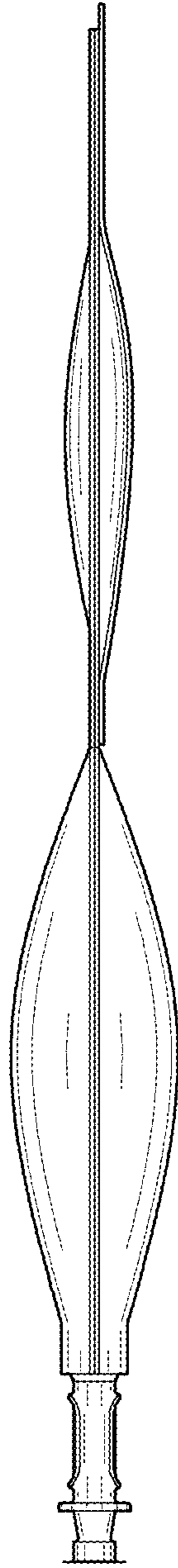


FIG. 4

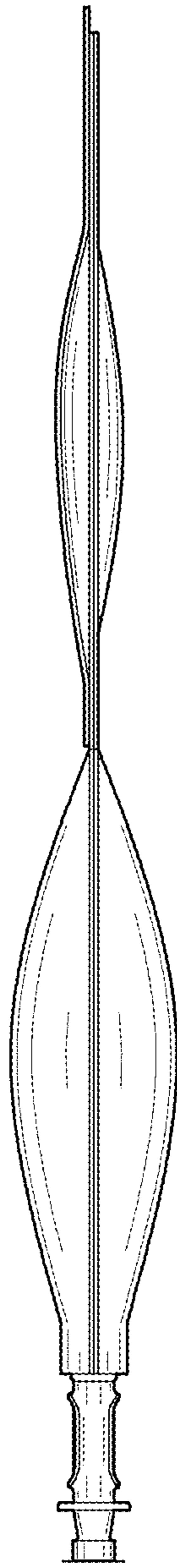


FIG. 5

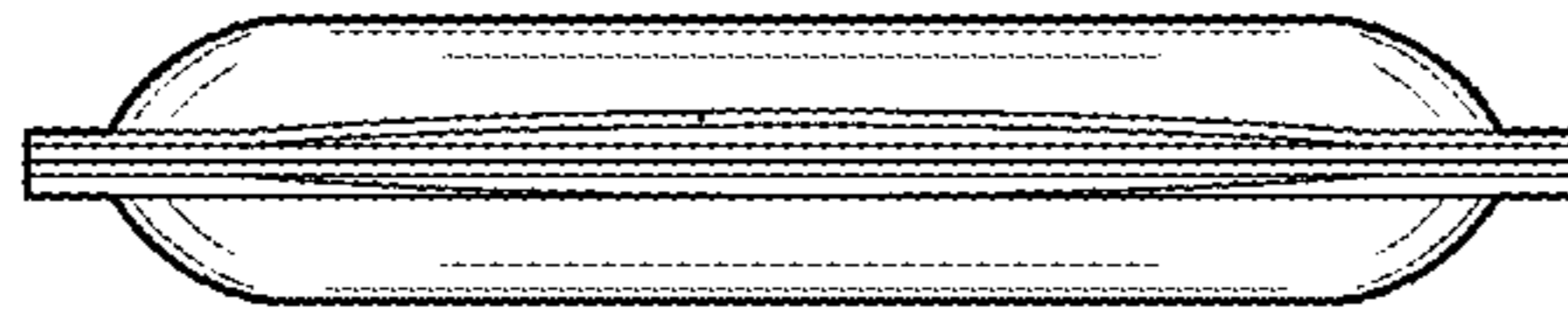


FIG. 6

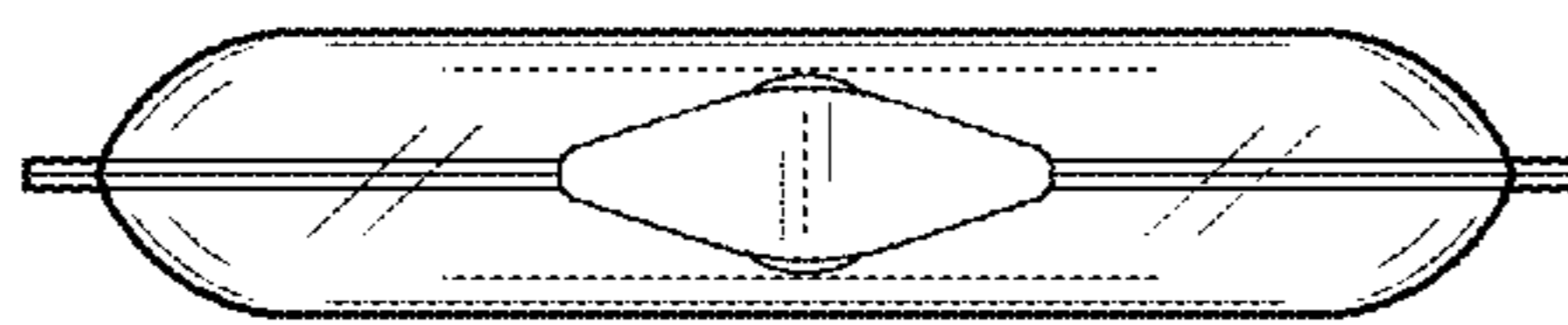


FIG. 7

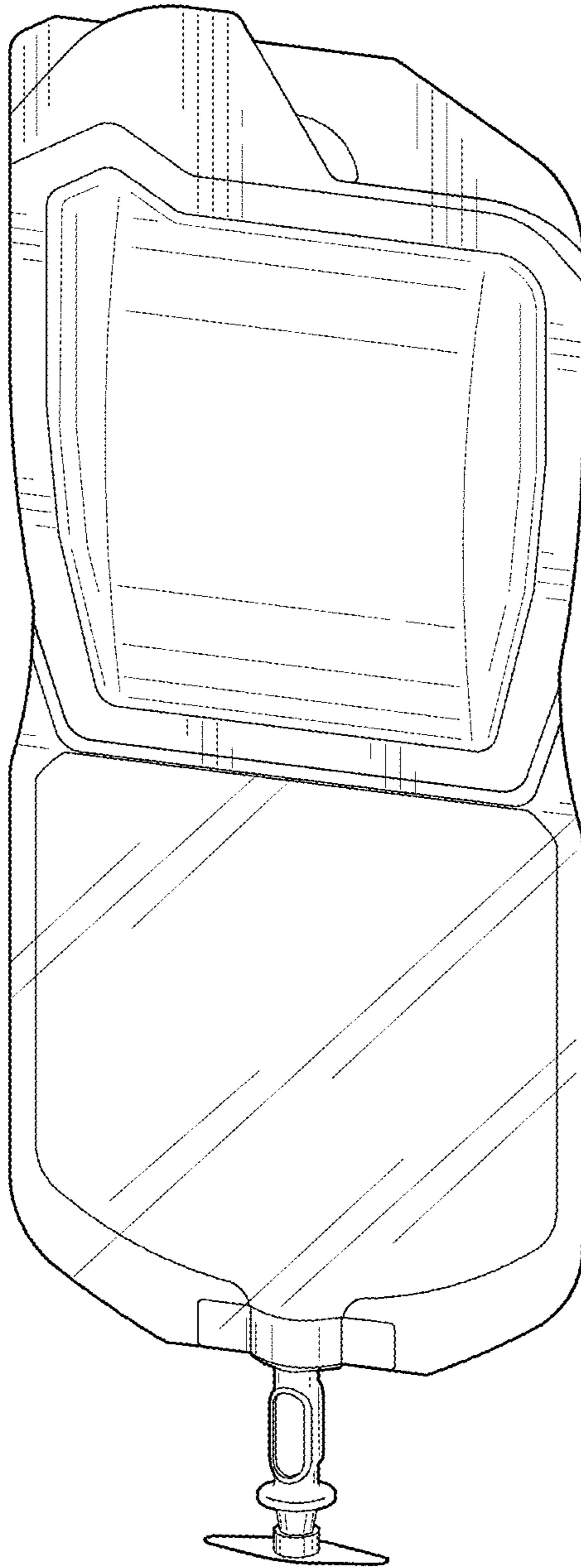


FIG. 8

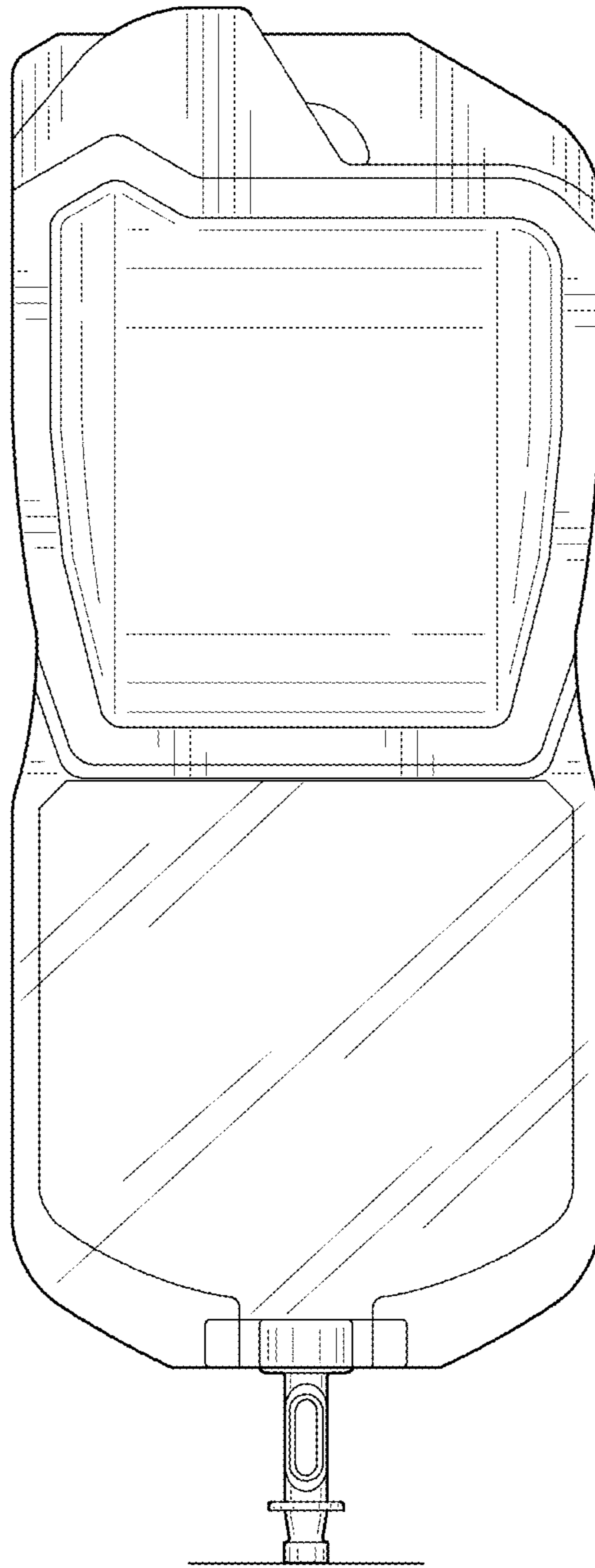


FIG. 9

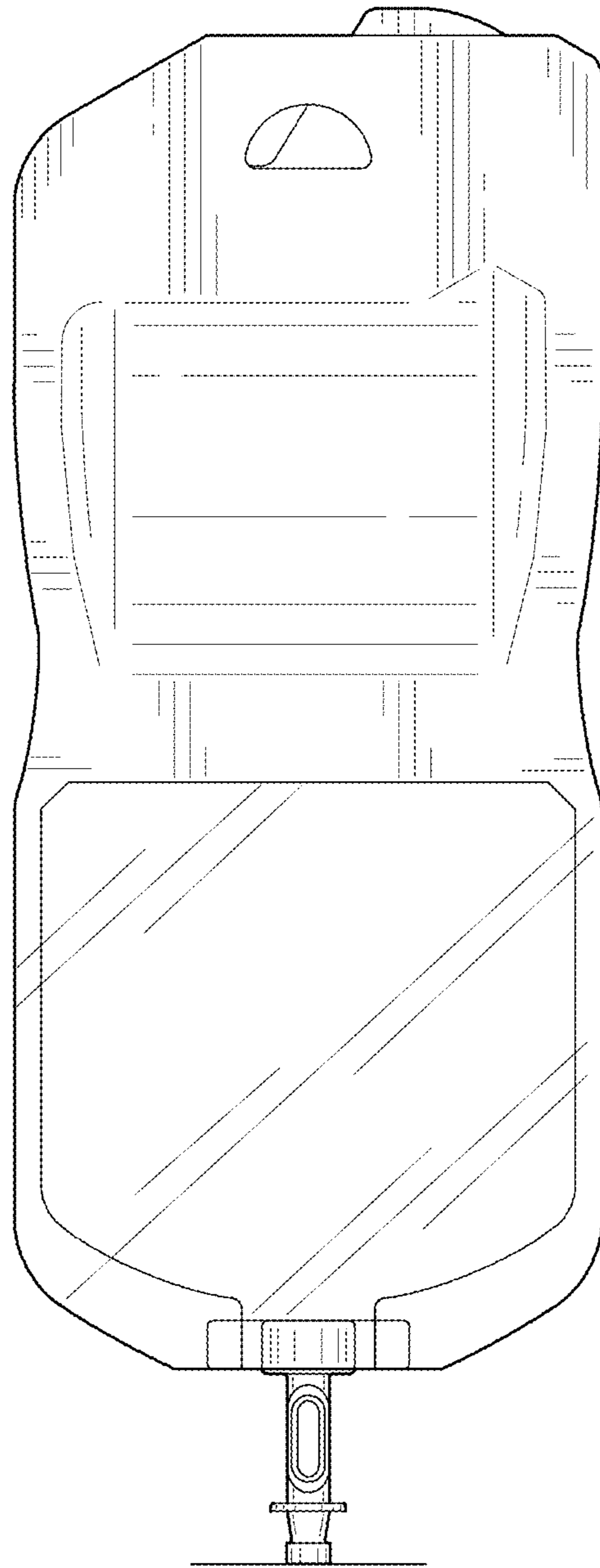


FIG. 10

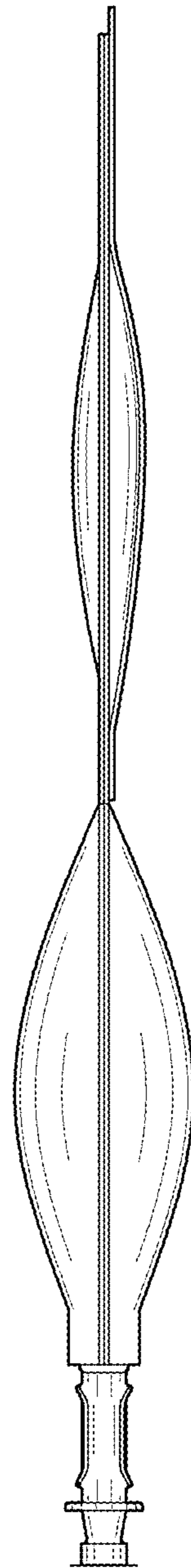


FIG. 11

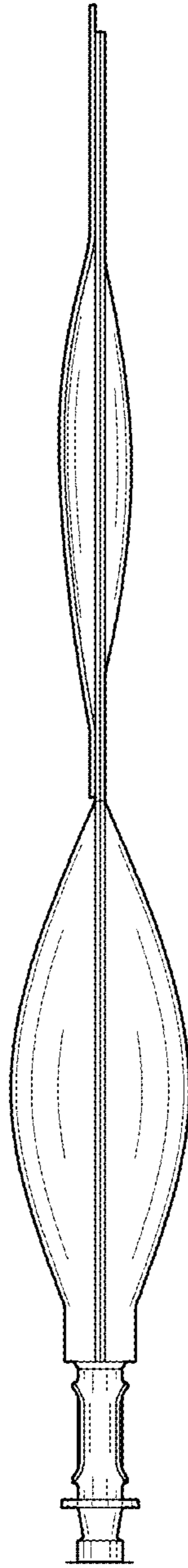


FIG. 12

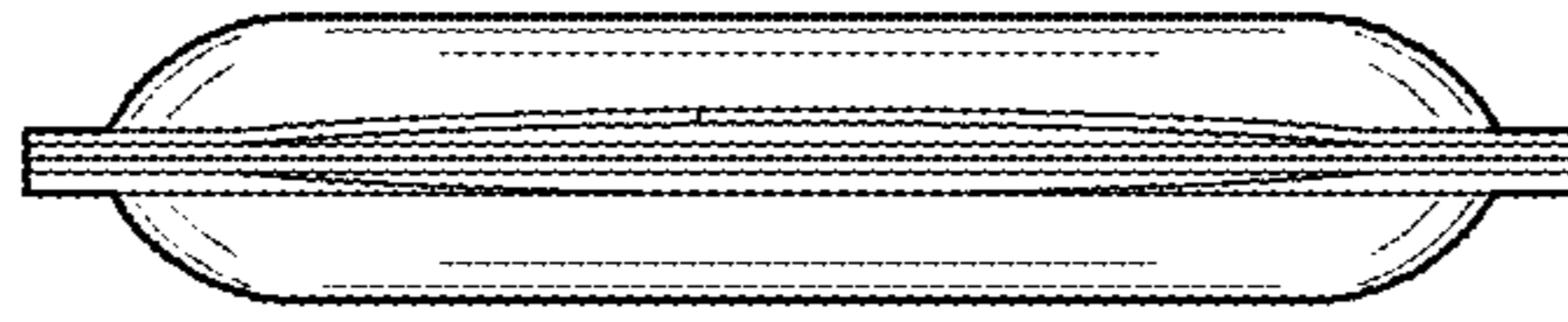


FIG. 13

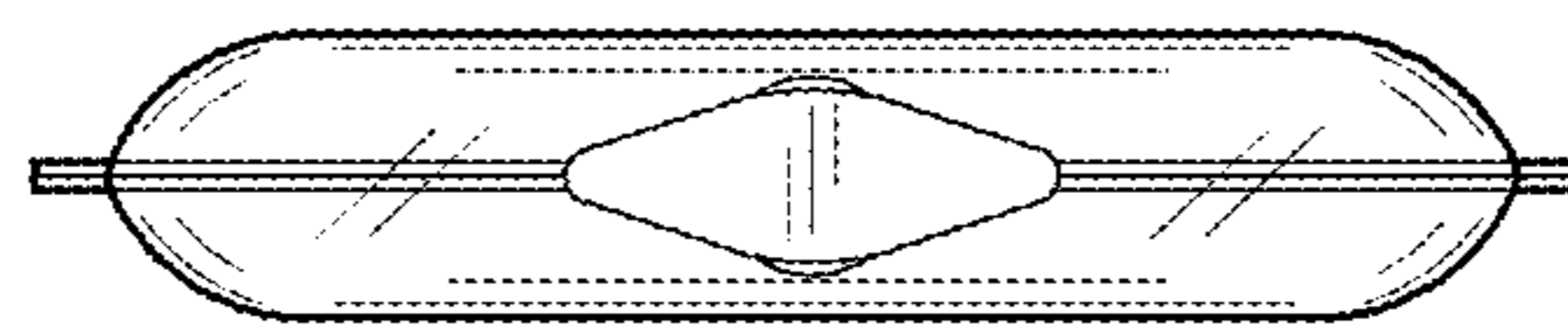


FIG. 14