



US00D777320S

(12) **United States Design Patent**
Press

(10) **Patent No.:** **US D777,320 S**

(45) **Date of Patent:** **** *Jan. 24, 2017**

- (54) **CATHETER**
- (71) Applicant: **Kimal PLC**, Uxbridge, Middlesex (GB)
- (72) Inventor: **Alan Press**, Middlesex (GB)
- (73) Assignee: **Kimal PLC** (GB)

(*) Notice: This patent is subject to a terminal disclaimer.

(**) Term: **14 Years**

(21) Appl. No.: **29/525,109**

(22) Filed: **Apr. 27, 2015**

(51) **LOC (10) Cl.** **24-02**

(52) **U.S. Cl.**
USPC **D24/112**

(58) **Field of Classification Search**
 USPC D24/127–131, 112–114, 133, 186; 606/181, 606/185; 604/264, 523–528, 272, 187, 604/158, 164.01–164.11, 181, 184, 227; 600/101, 139, 143; 128/200.24, 207.14, 128/207.15
 CPC A61M 25/00; A61M 39/00; A61M 27/00; A61M 25/0043; A61M 25/0067; A61M 25/0097; A61F 2/958
 See application file for complete search history.

(56) **References Cited**

U.S. PATENT DOCUMENTS

- D303,712 S * 9/1989 Goldberg D24/129
- 4,962,757 A * 10/1990 Stefan A61M 25/02
128/DIG. 26
- D318,734 S * 7/1991 Wyzgala D24/112
- 5,167,623 A * 12/1992 Cianci A61M 25/0026
604/43
- 5,167,635 A * 12/1992 Haber A61M 5/1408
604/164.08

- 5,437,637 A * 8/1995 Lieber A61B 5/028
600/486
- 6,582,398 B1 * 6/2003 Worthen A61F 7/123
604/113
- 7,204,277 B2 * 4/2007 Bartholomew A61J 3/002
141/10
- D675,732 S * 2/2013 Baid D24/129
- D695,891 S * 12/2013 Biel D24/112
- 8,945,087 B2 * 2/2015 Weilbacher A61M 39/00
604/246
- D748,777 S * 2/2016 Uenishi D24/130
- D752,215 S * 3/2016 Blennow D24/130

* cited by examiner

Primary Examiner — David Muller

(74) *Attorney, Agent, or Firm* — Goodwin Procter LLP

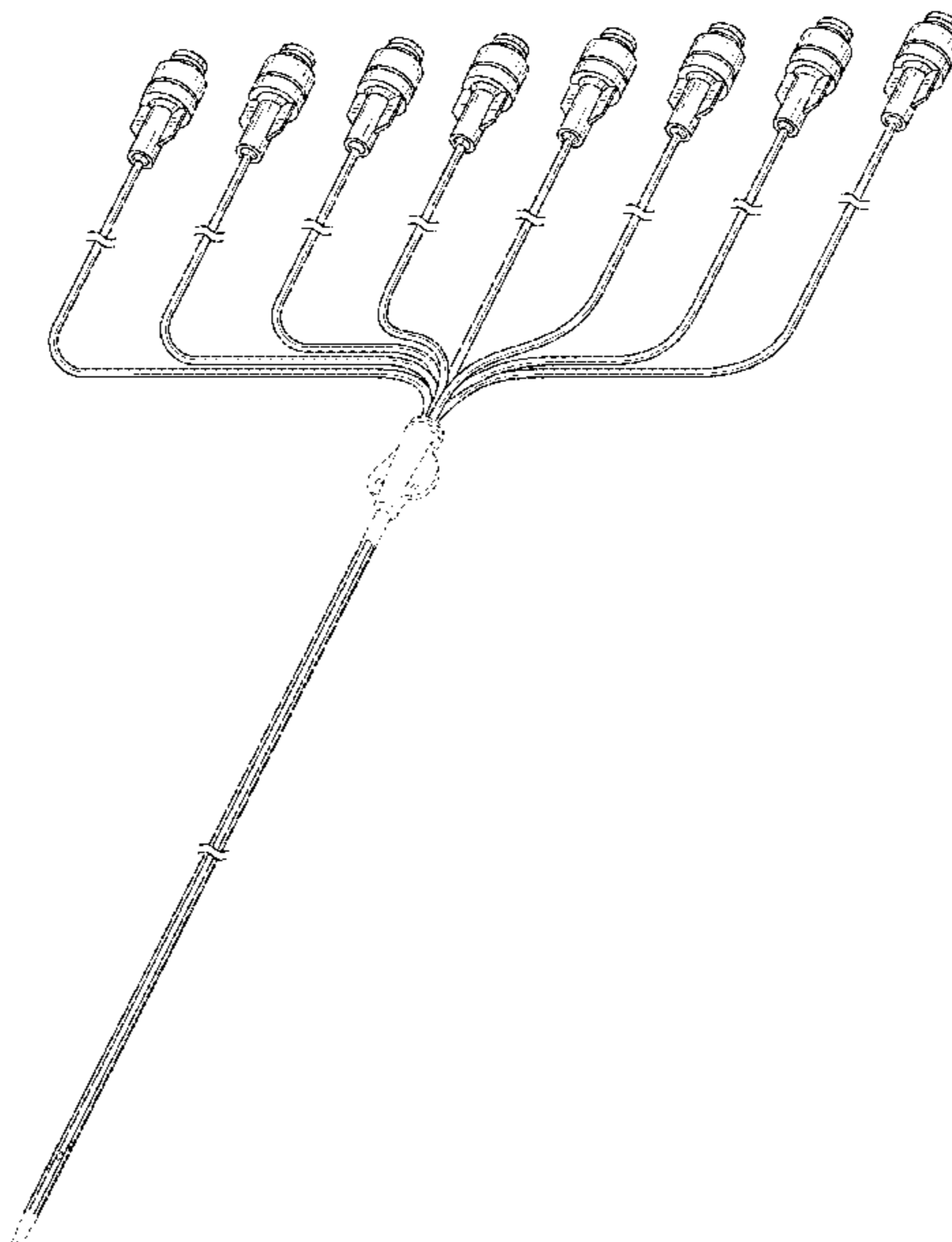
(57) **CLAIM**

The ornamental design for a catheter, as shown and described.

DESCRIPTION

FIG. 1 is a front perspective view of a catheter;
 FIG. 2 is a front view of the catheter;
 FIG. 3 is a rear view of the catheter;
 FIG. 4 is a right side view of the catheter;
 FIG. 5 is a left side view of the catheter;
 FIG. 6 is a top view of the catheter;
 FIG. 7 is a bottom view of the catheter; and,
 FIG. 8 is an enlarged view of a tip of the catheter.
 The broken lines shown throughout the views represent the portions of the catheter which form no part of the claimed design. Aspects of the catheter, including individual tubes and the multi-lumen section, are flexible. The catheter is shown with a symbolic break in its length. The appearance of any portion of the article between the break lines forms no part of the claimed design.

1 Claim, 5 Drawing Sheets



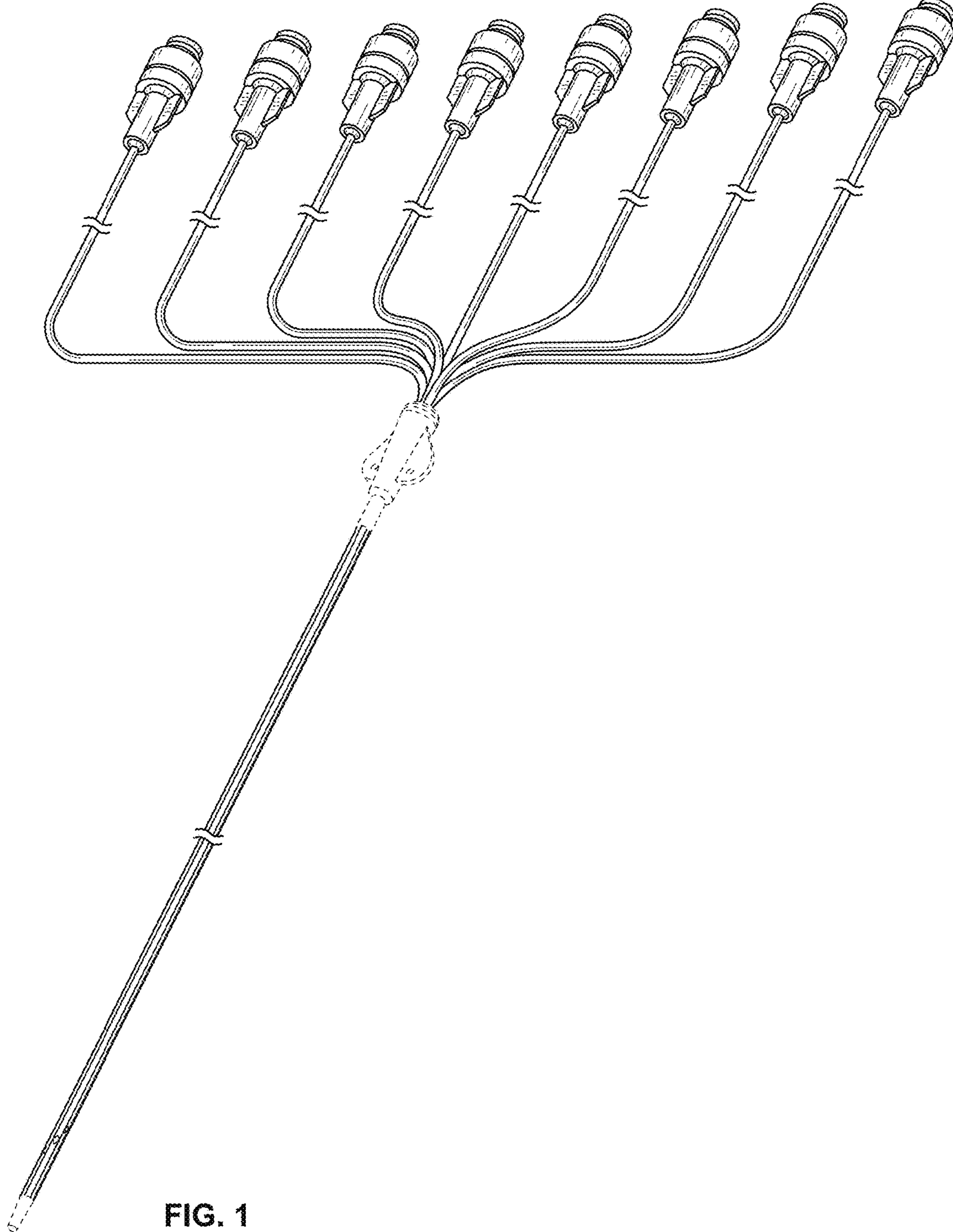


FIG. 1

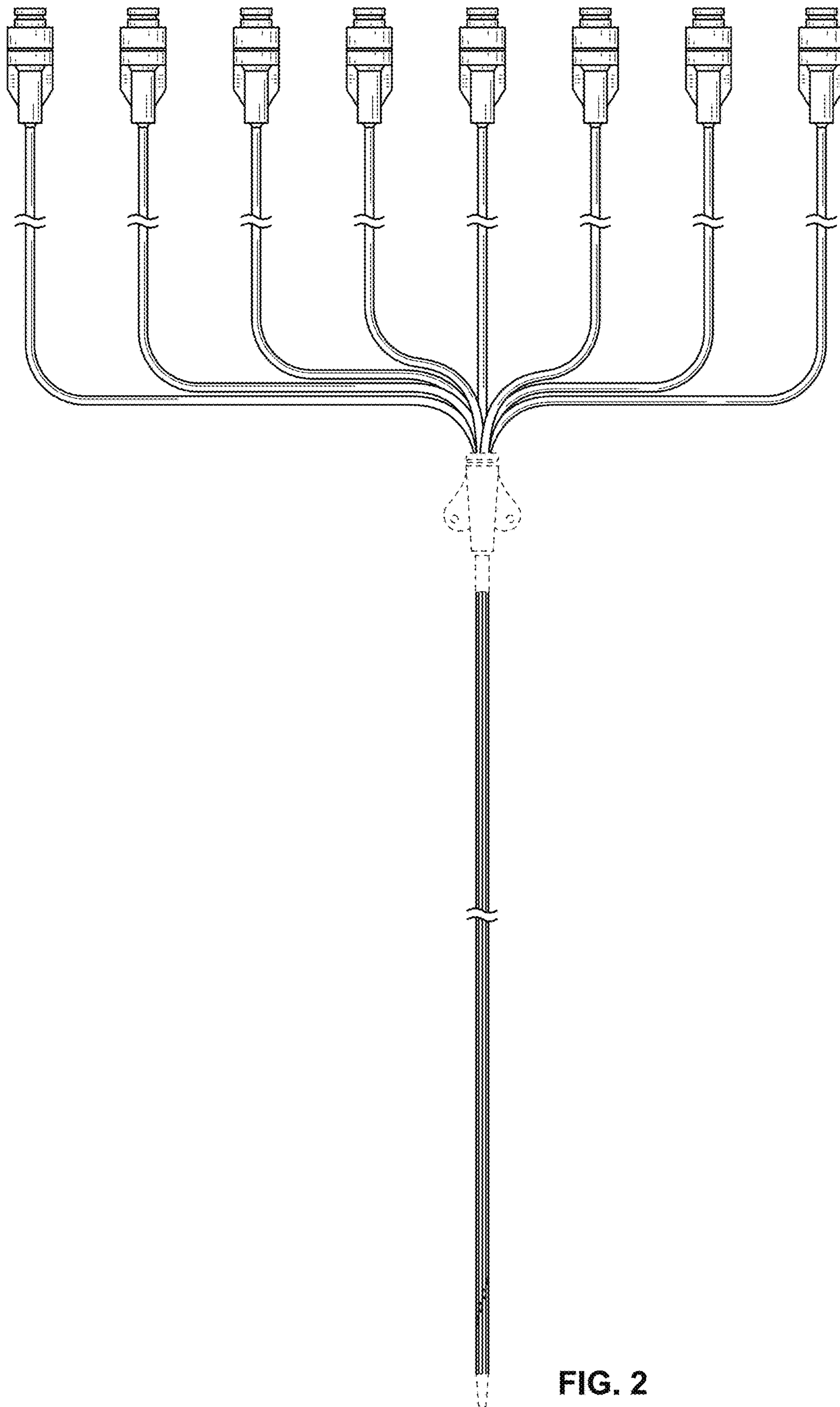


FIG. 2

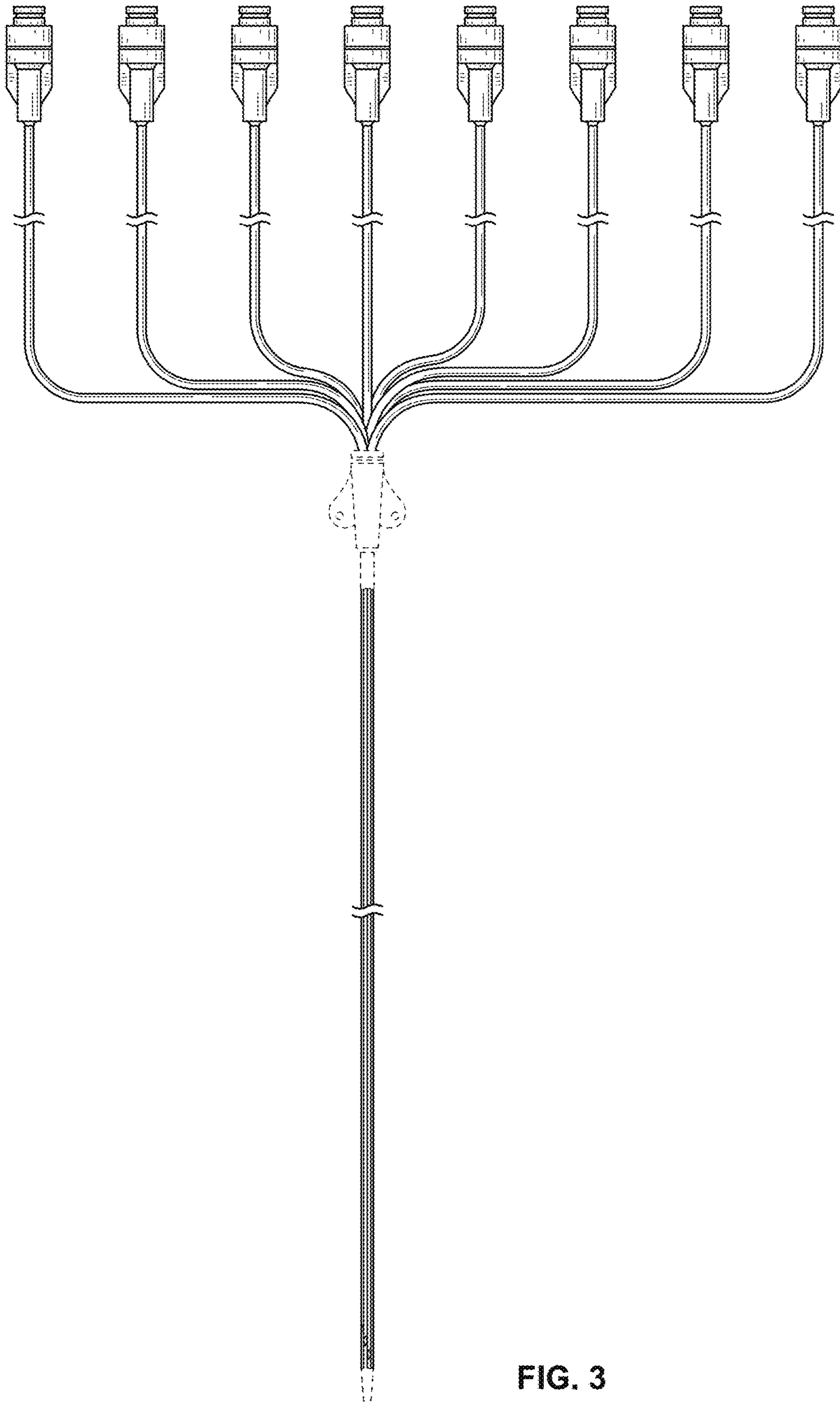


FIG. 3

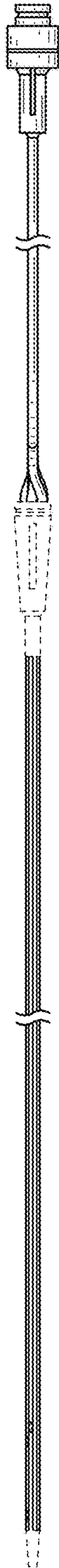


FIG. 4

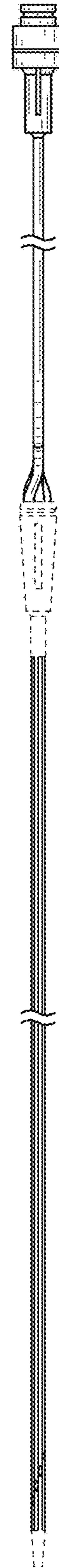


FIG. 5



FIG. 6

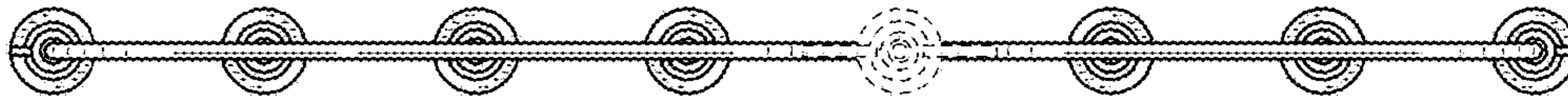


FIG. 7

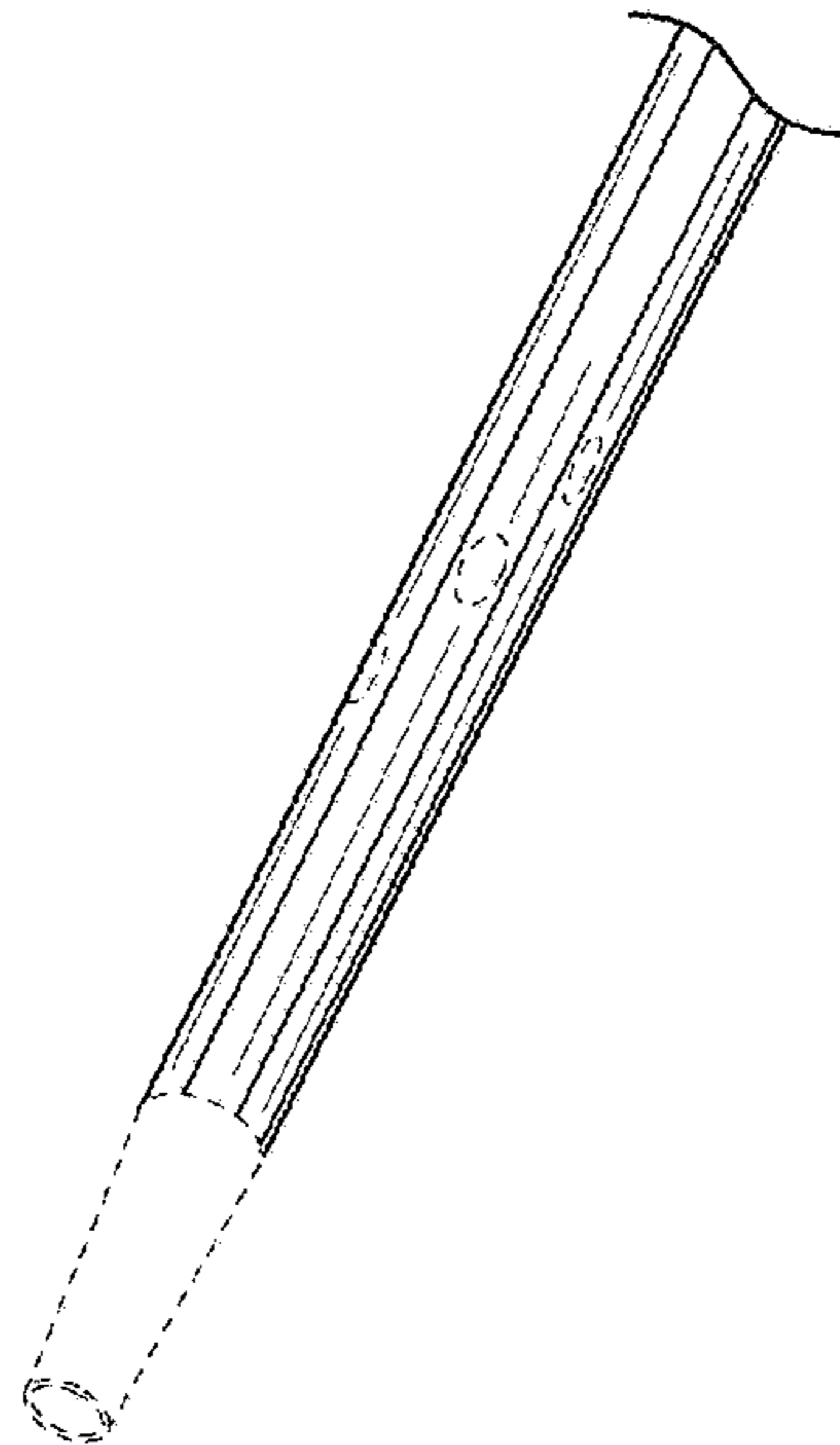


FIG. 8