



US00D777317S

(12) **United States Design Patent** (10) **Patent No.:** **US D777,317 S**
Soual et al. (45) **Date of Patent:** **** Jan. 24, 2017**

(54) **CANNULA AND CAP**
(71) Applicant: **ED-LIQ**, Aigle (CH)
(72) Inventors: **Ludovic Soual**, Romans sur Isère (FR);
Hugues Brouard, Rochefort Samson (FR); **Kristen Le Nouy**, Saint Jean en Royans (FR)
(73) Assignee: **ED-LIQ** (CH)
(**) Term: **14 Years**
(21) Appl. No.: **29/476,664**
(22) Filed: **Dec. 16, 2013**
(51) **LOC (10) Cl.** **24-02**
(52) **U.S. Cl.**
USPC **D24/112**
(58) **Field of Classification Search**
USPC D24/112-114, 133, 186, 130, 127,
D24/129, 108; 606/181, 185; 600/101,
600/139, 143; 128/200.24, 207.14, 207.15
CPC A61B 17/07207; A61B 17/3421;
A61B 17/00234; A61B 17/3462; A61M
5/158
See application file for complete search history.

(56) **References Cited**
U.S. PATENT DOCUMENTS
D310,722 S * 9/1990 Broden D24/112
5,941,857 A * 8/1999 Nguyen A61M 5/3205
604/195
D469,178 S * 1/2003 Courteix D24/130
D513,180 S * 12/2005 Lindsey D9/447
D529,603 S * 10/2006 Knickerbocker D24/110
D606,194 S * 12/2009 Frey D24/108
D616,985 S * 6/2010 Ade D24/130
D617,001 S * 6/2010 Lee D24/220
D630,732 S * 1/2011 Lev D24/129
D644,731 S * 9/2011 Fangrow, Jr. D24/129

D663,042 S * 7/2012 Motadel D24/222
D665,497 S * 8/2012 Marshall D24/130
D676,125 S * 2/2013 Hair D24/108
D678,516 S * 3/2013 Wong D24/121
D679,828 S * 4/2013 Motadel D24/222
D690,008 S * 9/2013 Wang D24/130
D690,024 S * 9/2013 Sauro D24/219
8,758,306 B2 * 6/2014 Lopez A61M 39/10
604/247
D714,490 S * 9/2014 Betts D28/7
D716,965 S * 11/2014 Fruscella D24/224
D720,452 S * 12/2014 Jordan D24/130
2004/0267210 A1 * 12/2004 Popovsky A61M 5/3257
604/263
2012/0302965 A1 * 11/2012 Cronenberg A61M 5/3202
604/198
2012/0323221 A1 * 12/2012 Gallo A61M 3/0279
604/514

(Continued)

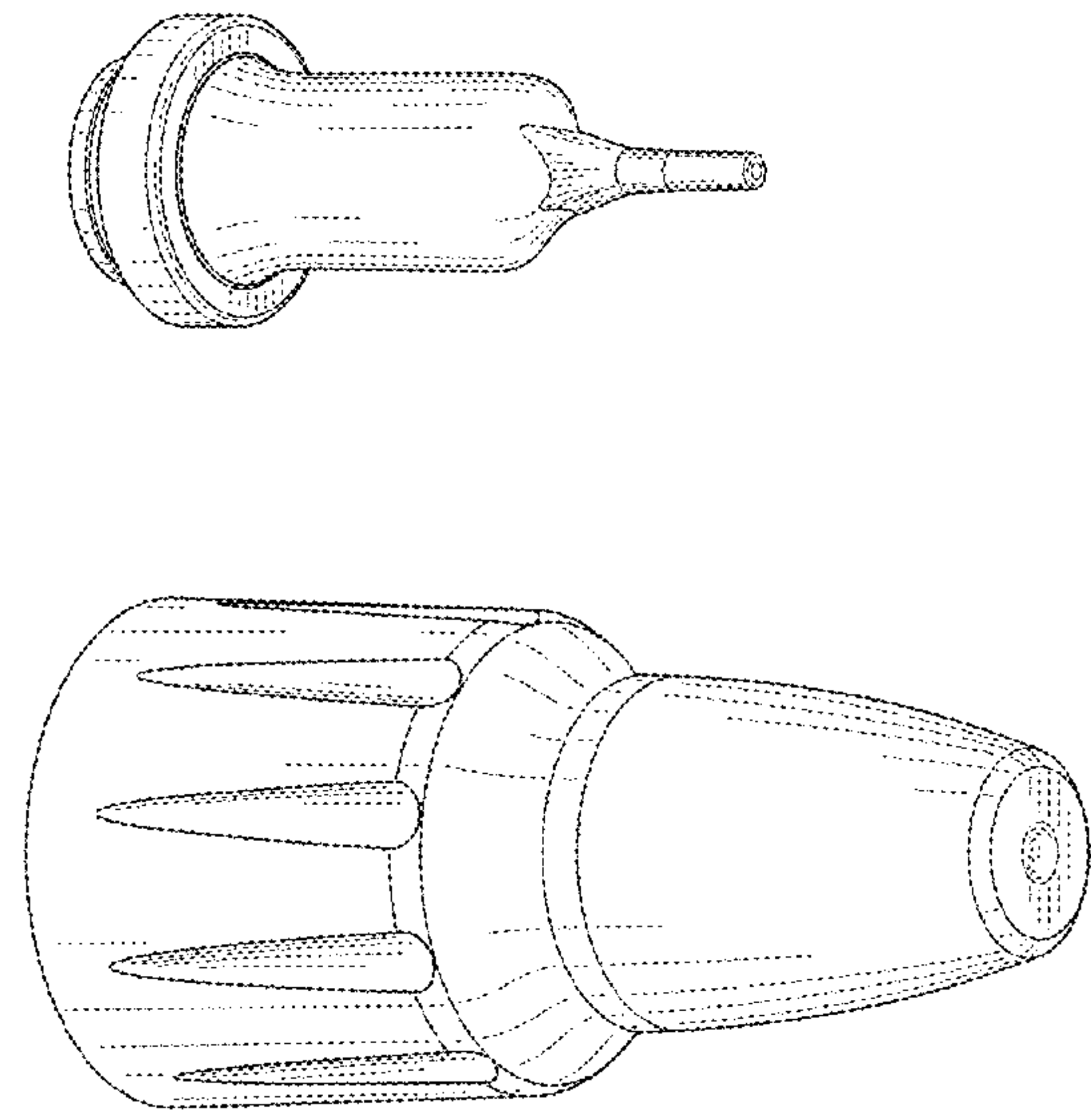
Primary Examiner — David Muller
Assistant Examiner — Nathan Johnston
(74) *Attorney, Agent, or Firm* — Lerner, David,
Littenberg, Krumholz & Mentlik, LLP

(57) **CLAIM**
The ornamental design for a cannula and cap, as shown and described.

DESCRIPTION

FIG. 1 is a front view of a cannula and cap, in accordance with an embodiment of my new design;
FIG. 2 is a bottom view thereof;
FIG. 3 is a top view thereof;
FIG. 4 is a right-side view, the left-side view being a mirror image thereof; and,
FIG. 5 is a perspective view thereof.
The broken lines in the figures represent portions of the cannula and cap that form no part of the claimed design. The illustrations in the figures are not to scale.

1 Claim, 5 Drawing Sheets



(56)

References Cited

U.S. PATENT DOCUMENTS

2014/0135707 A1* 5/2014 Suzuki A61M 5/283
604/198
2015/0374353 A1* 12/2015 Zergiebel A61B 17/00234
403/376

* cited by examiner

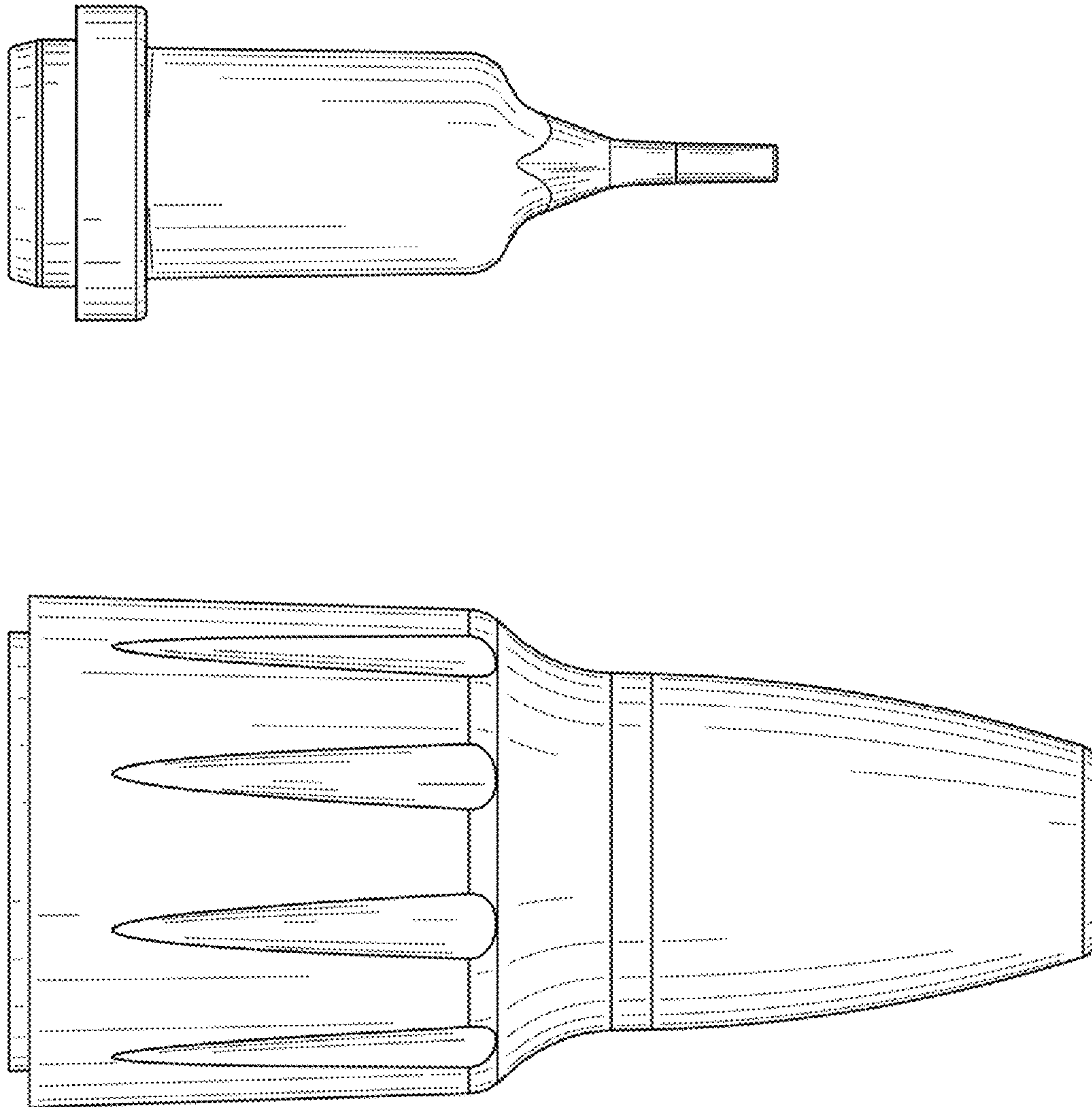


FIG. 1

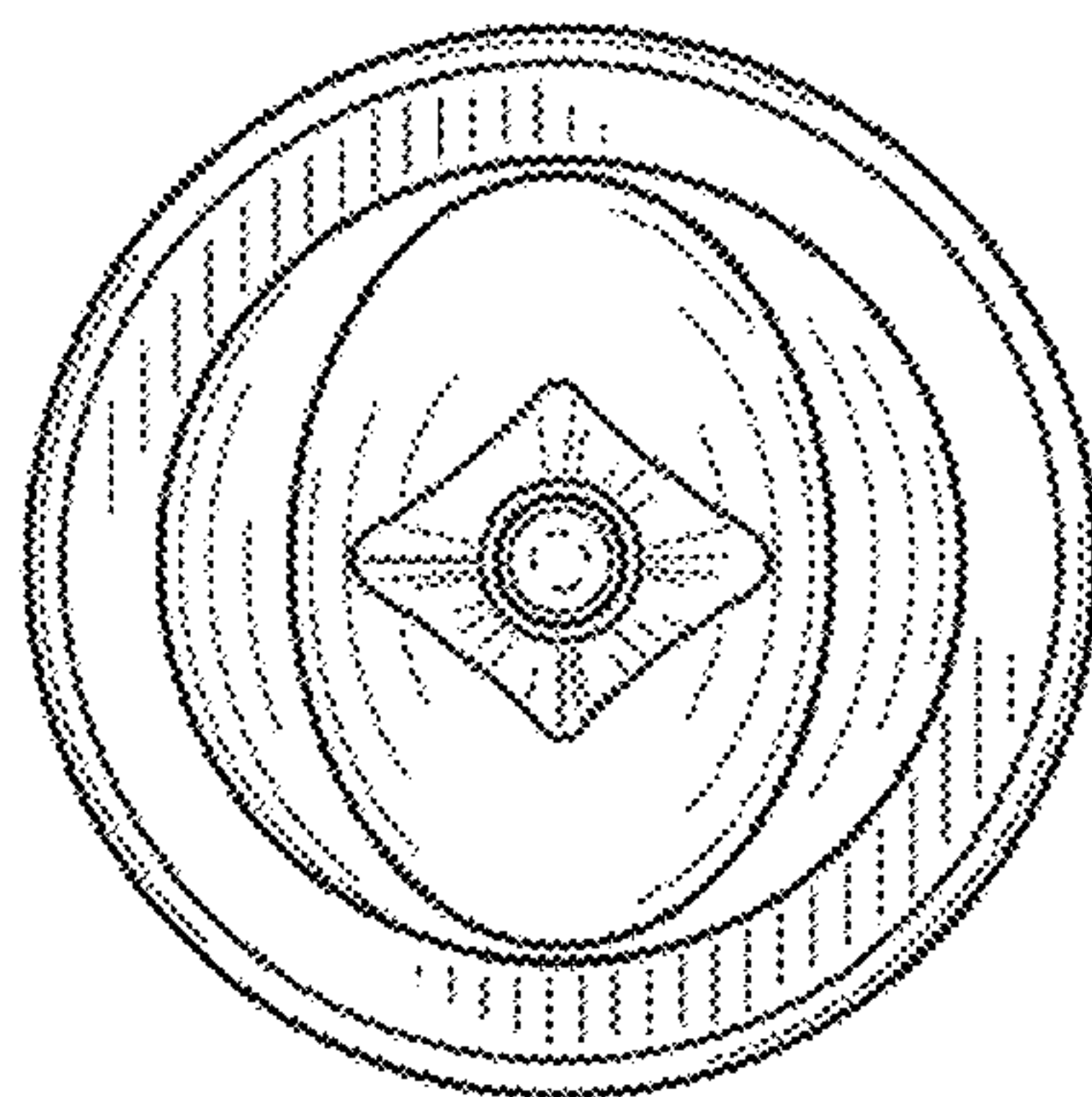
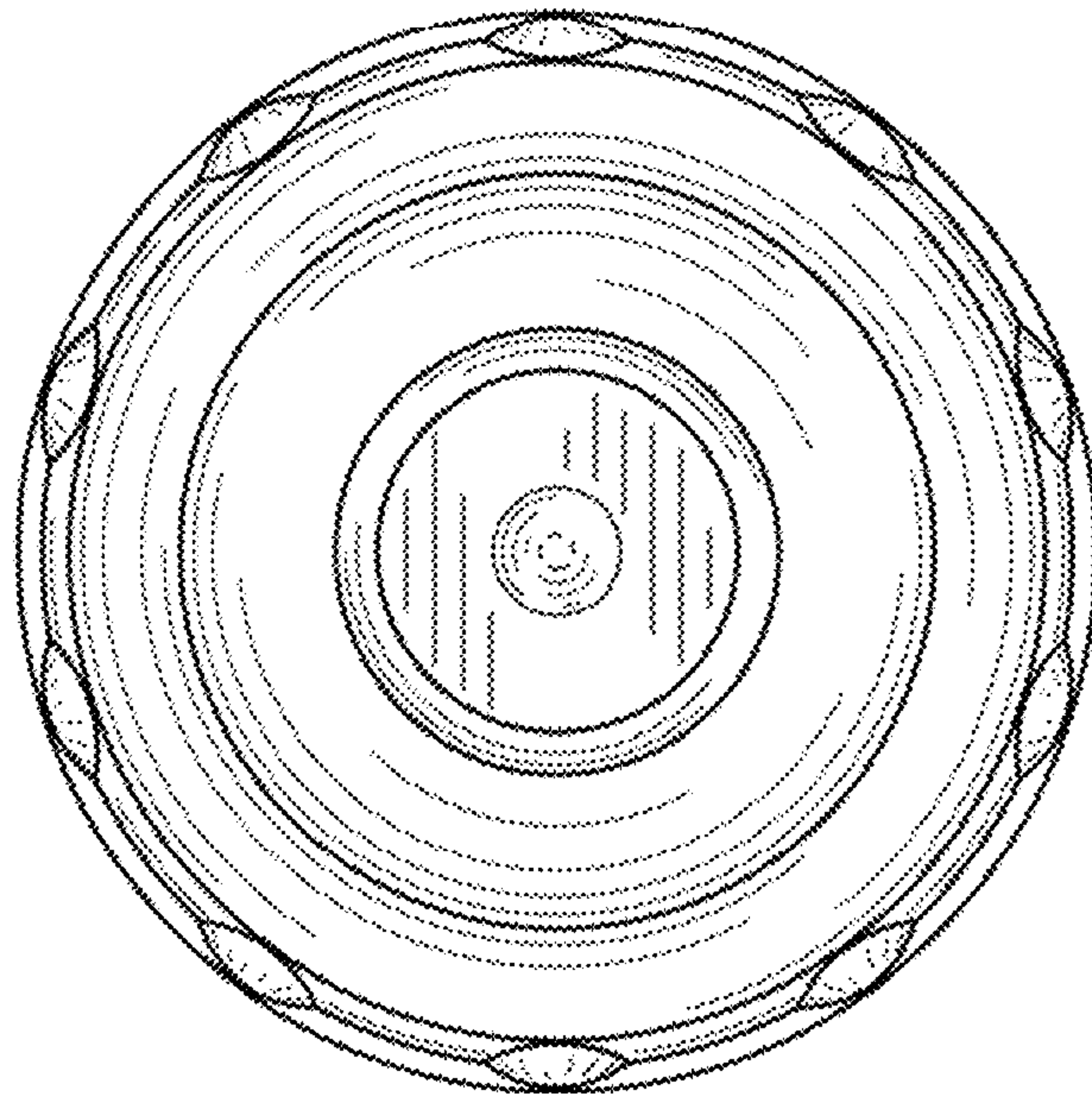


FIG. 2

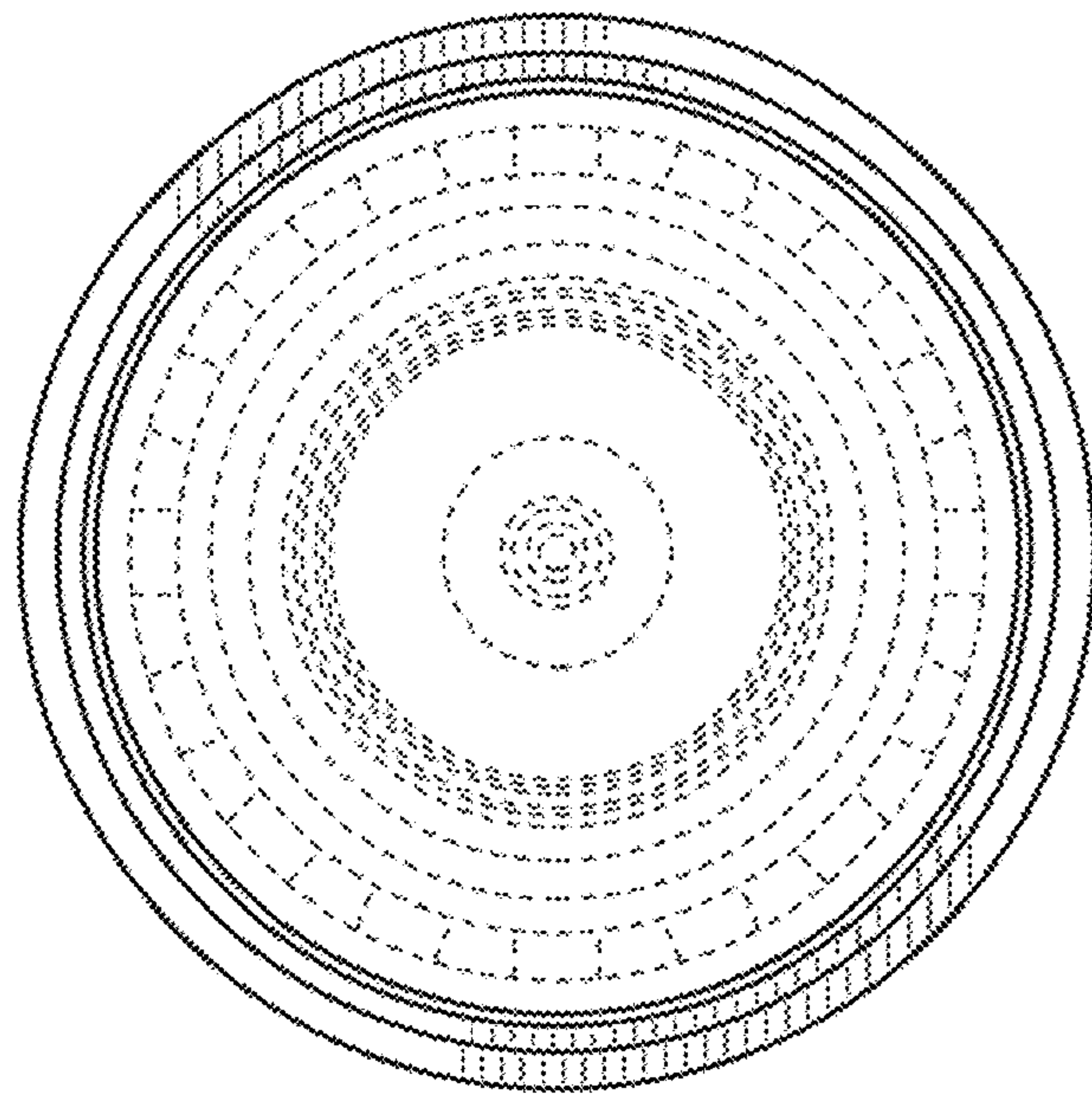
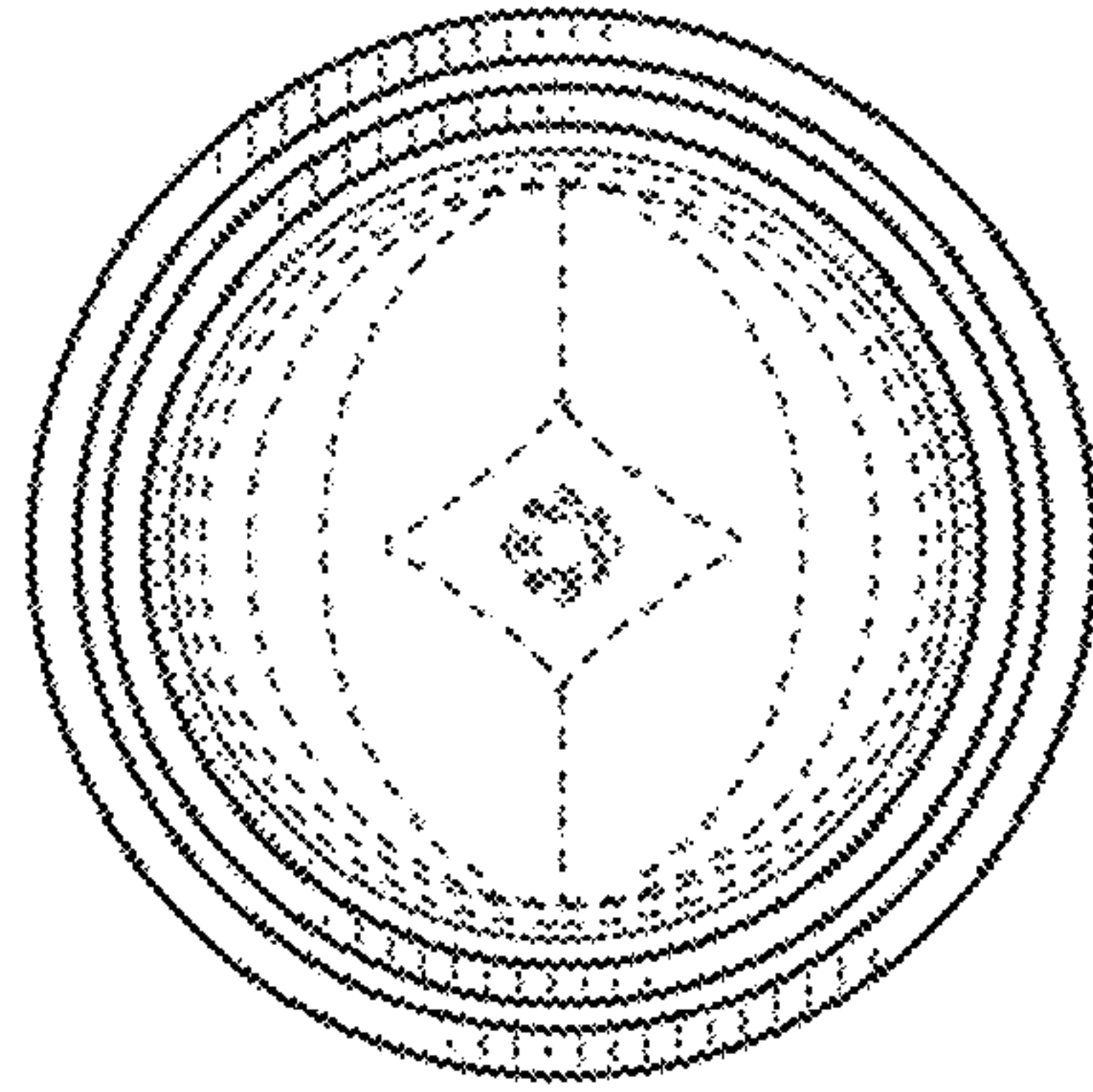


FIG. 3

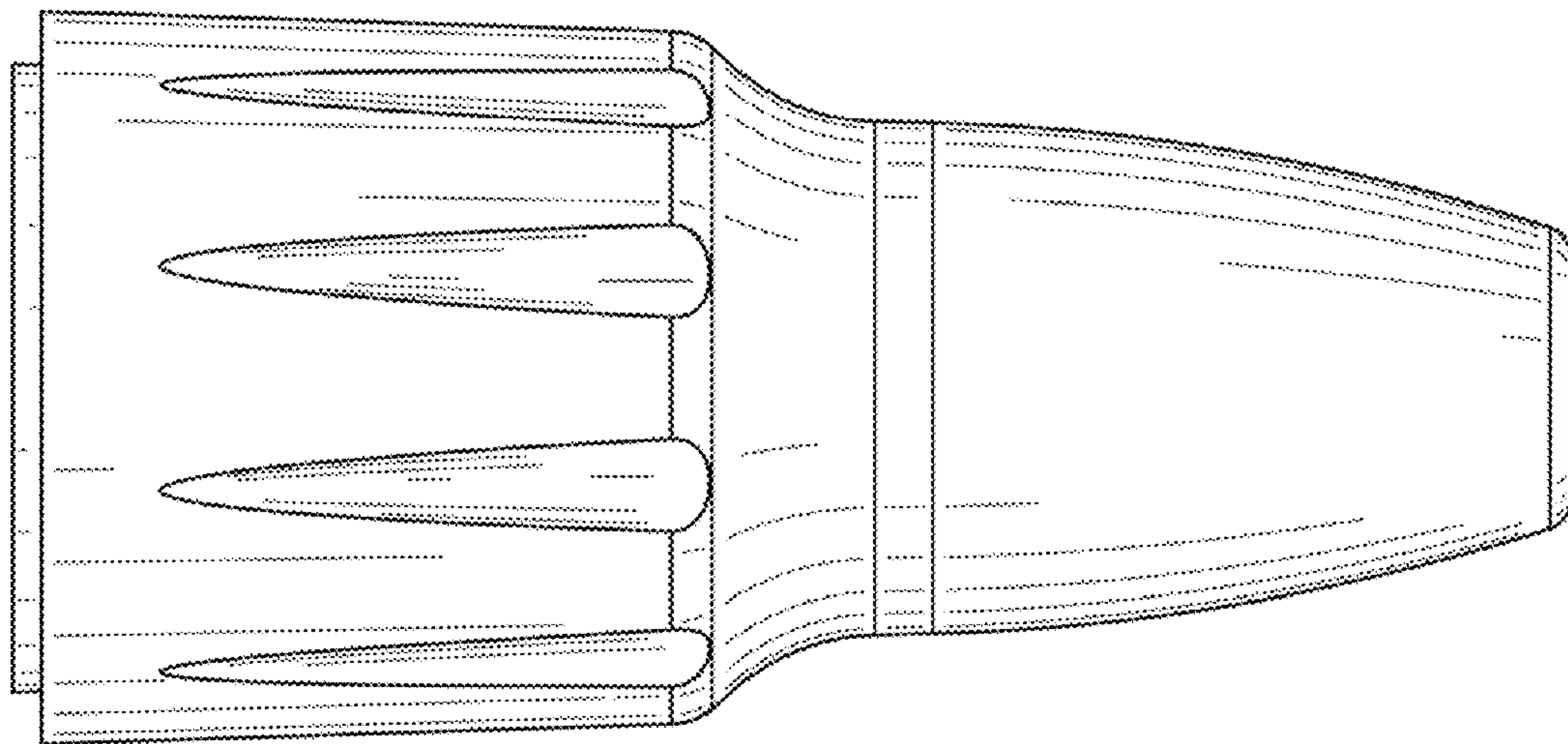
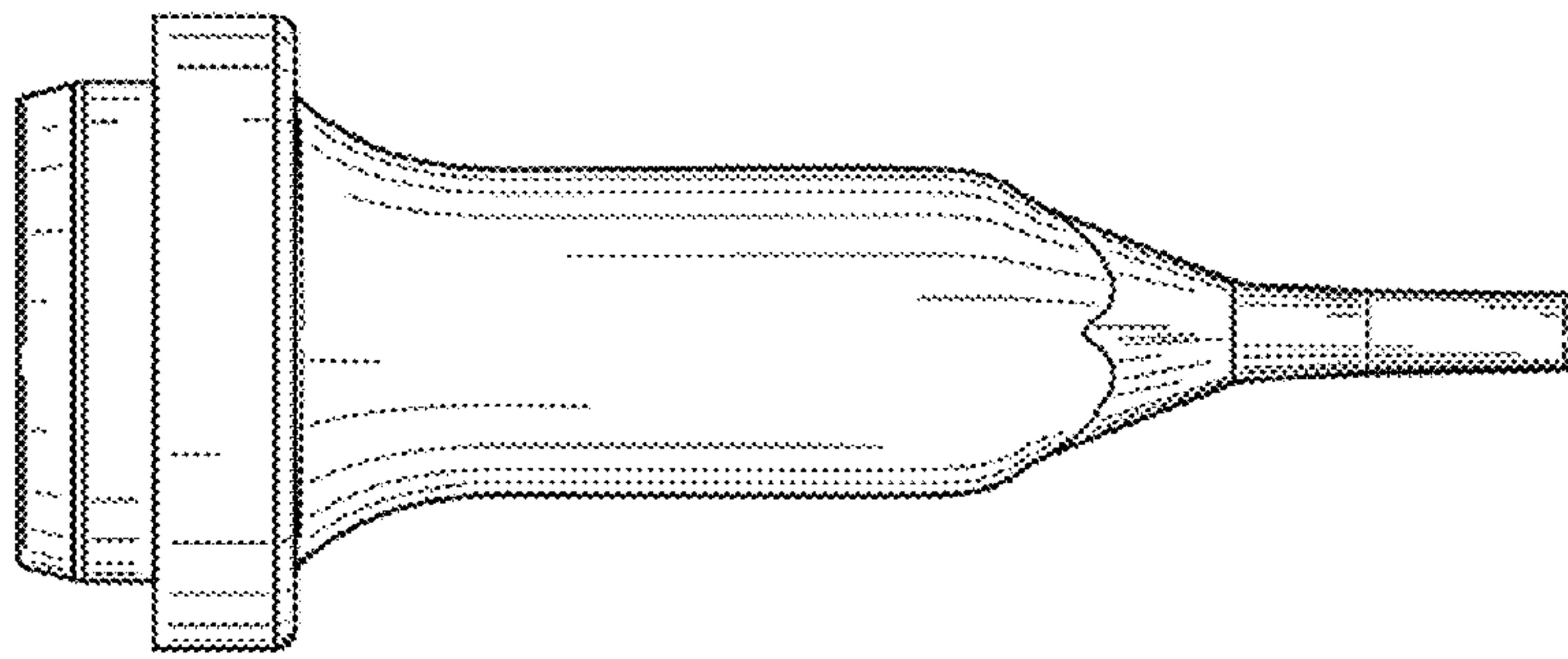


FIG. 4

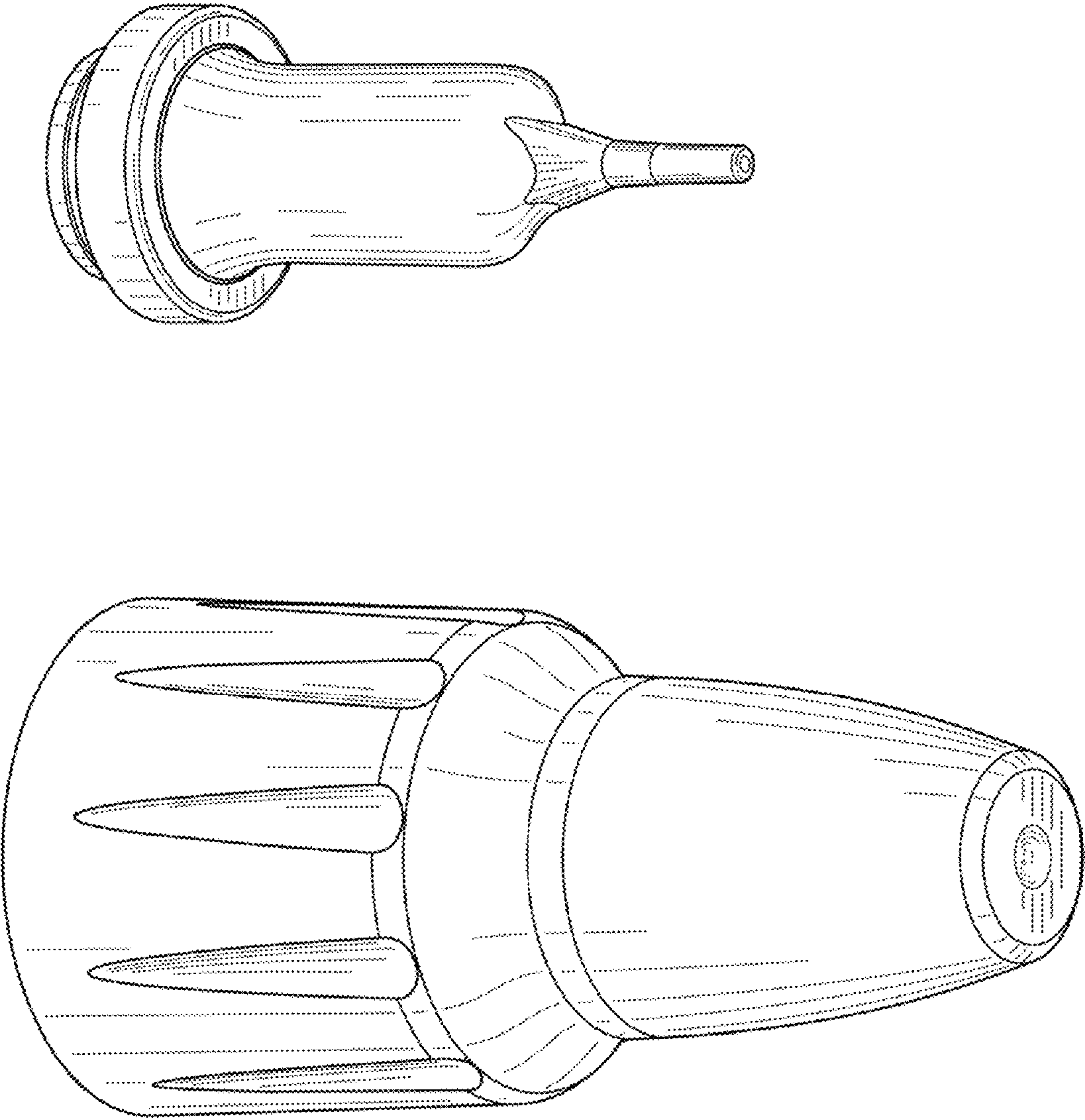


FIG. 5