



US00D777314S

(12) **United States Design Patent** (10) **Patent No.:** **US D777,314 S**
Francis et al. (45) **Date of Patent:** **** Jan. 24, 2017**

(54) **COMBUSTIBLE ARTIFICIAL FIRELOG ASSEMBLY**

(71) Applicant: **RWF Sales & Marketing, LLC**, Lake Orion, MI (US)

(72) Inventors: **Robert W. Francis**, Lake Orion, MI (US); **Paul Francis**, St. Clair Shores, MI (US)

(73) Assignee: **RWF Sales & Marketing, LLC**, Lake Orion, MI (US)

(**) Term: **14 Years**

(21) Appl. No.: **29/525,287**

(22) Filed: **Apr. 28, 2015**

Related U.S. Application Data

(62) Division of application No. 14/048,234, filed on Oct. 8, 2013, now abandoned.

(51) **LOC (10) Cl.** **23-99**

(52) **U.S. Cl.**
USPC **D23/409**; D23/499

(58) **Field of Classification Search**
USPC D23/394, 398, 403, 405, 407, 409, D23/410,415, 417, 499
CPC A23L 1/01; A47J 33/00; A47J 37/04; A47J 37/06; A47J 37/08; F23C 3/00; F23D 3/18; F23D 14/02; F24B 1/182; F24B 1/192; F24B 1/193; F24B 3/00; F24F 13/20; F24C 1/16; F24C 15/10; F24C 15/14; F26B 11/02; F26B 19/00

See application file for complete search history.

(56) **References Cited**

U.S. PATENT DOCUMENTS

1,418,411 A * 6/1922 Ward F24B 1/193 126/298
2,985,165 A * 5/1961 Peterson F24B 1/193 126/541
4,092,973 A * 6/1978 Bernazzani F24C 1/16 126/37 A
4,131,108 A * 12/1978 Bauder F24B 1/193 126/298

(Continued)

OTHER PUBLICATIONS

Fireplace Gas Log, image post date 2011, site visited Aug. 7, 2016, (online), <<http://www.homedepot.com/catalog/pdfImages/2d/2d695e27-53cd-480a-b48b-7f865c140a70.pdf>>.*

Primary Examiner — Kevin Rudzinski

Assistant Examiner — Sean D Lough

(74) *Attorney, Agent, or Firm* — Buckert Patent & Trademark Law Firm, PC; John F. Buckert

(57) **CLAIM**

The ornamental design for a combustible artificial firelog assembly, as shown and described.

DESCRIPTION

FIG. 1 is an isometric view of a combustible artificial firelog assembly showing my new design.

FIG. 2 is another isometric view of the combustible artificial firelog assembly of FIG. 1.

FIG. 3 is a first side view of the combustible artificial firelog assembly of FIG. 1.

FIG. 4 is a second side view of the combustible artificial firelog assembly of FIG. 1.

FIG. 5 is a third side view of the combustible artificial firelog assembly of FIG. 1; and,

(Continued)

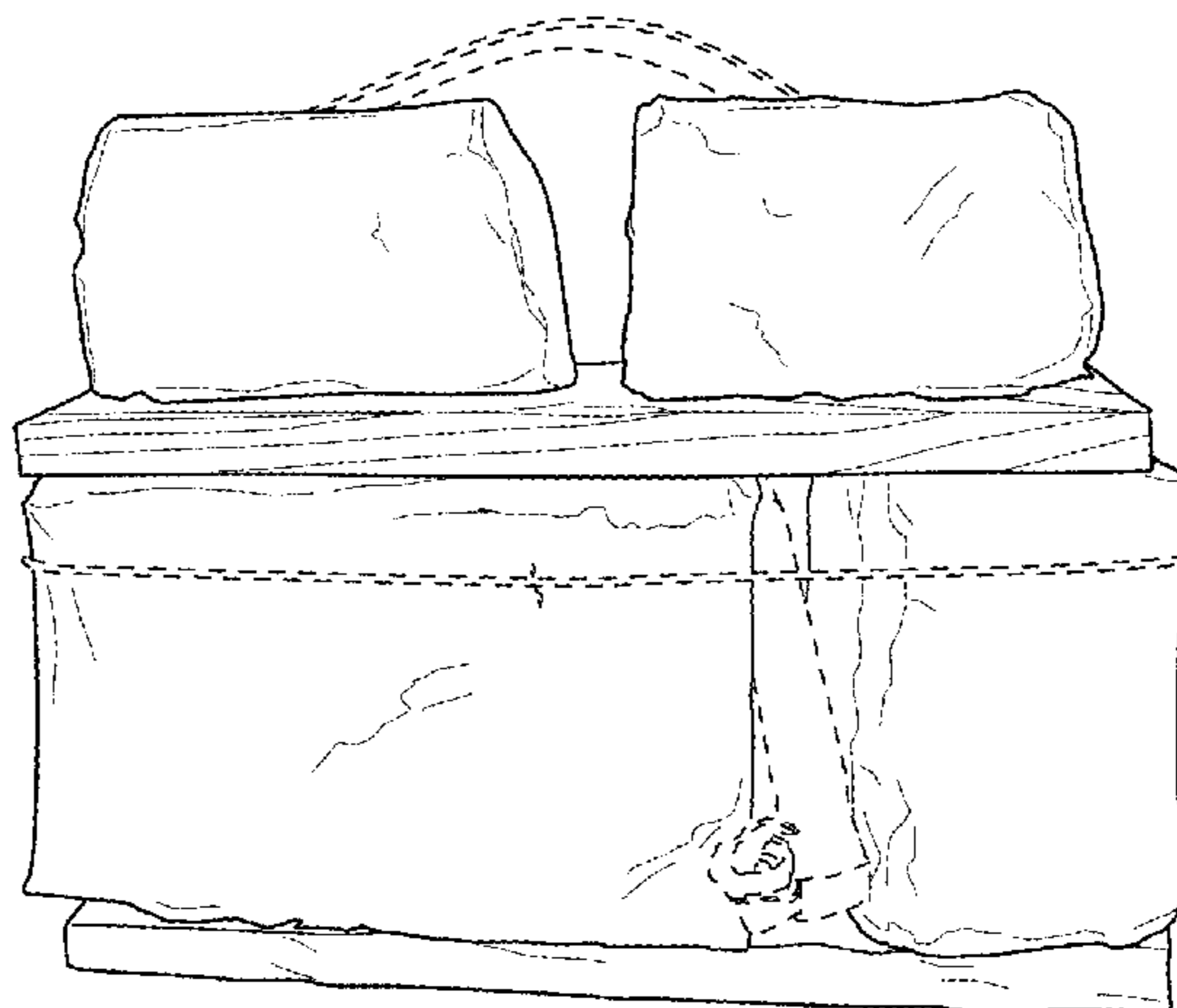
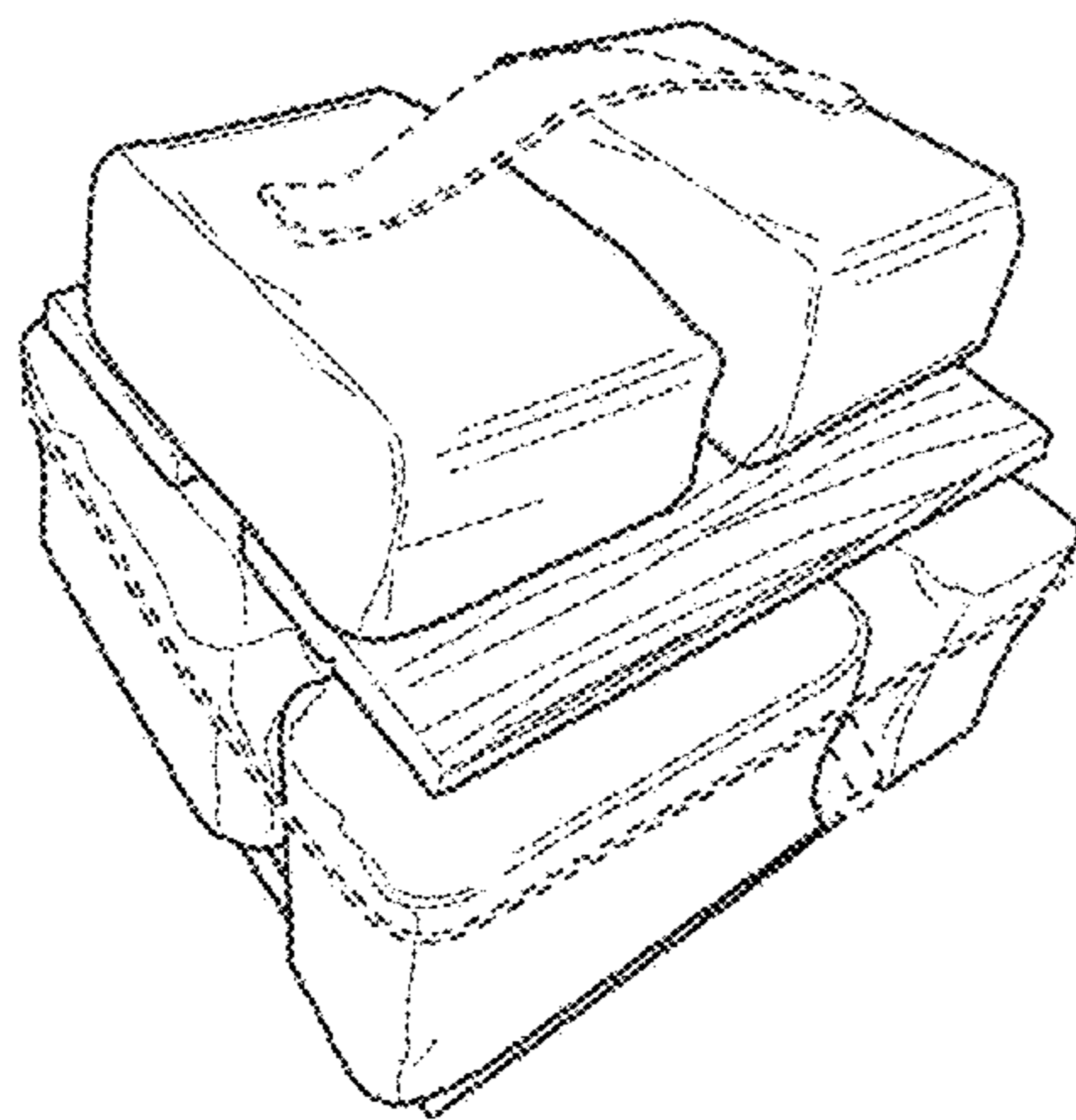


FIG. 6 is a fourth side view of the combustible artificial firelog assembly of FIG. 1.

The broken lines, where present, in all FIGS. illustrate portions of the combustible artificial firelog assembly that represent environment of the claimed design and forms no part of the claimed design.

1 Claim, 3 Drawing Sheets

(56)

References Cited

U.S. PATENT DOCUMENTS

RE30,725 E *	9/1981	Meeker	F24B 1/193	126/516
4,365,613 A *	12/1982	Seki	A47J 37/06	126/154
4,411,251 A *	10/1983	Parton	F24B 1/193	126/298
4,862,871 A *	9/1989	Sieberth	F24B 1/193	126/298
4,884,554 A *	12/1989	Yanagida	A47J 37/0704	126/21 R
4,971,031 A *	11/1990	Richardson	F24C 3/006	126/512
D320,651 S *	10/1991	Thow	D23/409	5,067,476 A *
5,067,476 A *	11/1991	Rhodes, Jr.	F24C 3/006	126/152 B
5,069,200 A *	12/1991	Thow	F24C 3/006	126/512
5,076,253 A *	12/1991	LindstroOlle	F23G 5/42	126/152 B
5,647,342 A *	7/1997	Jamieson	F24B 1/1808	126/512
5,688,568 A *	11/1997	Wolf	F24C 3/006	126/512
D387,854 S *	12/1997	Newman	D23/403	D391,632 S *
D391,632 S *	3/1998	Thomas	D23/373	D400,243 S *
D400,243 S *	10/1998	Newman	D23/403	D408,075 S *
D408,075 S *	4/1999	Walters	D23/403	D412,694 S *
D412,694 S *	8/1999	Kovacik	D13/139.4	6,023,051 A *
6,023,051 A *	2/2000	Fellows	A47J 37/0676	126/25 R
D426,297 S *	6/2000	Phippen	D23/409	D428,132 S *
D428,132 S *	7/2000	Sweeney	D23/409	6,105,569 A *
6,105,569 A *	8/2000	Andress	A47J 37/0763	126/25 A
D461,917 S *	8/2002	Horvath	D26/16	D476,076 S *
D476,076 S *	6/2003	Legg	D23/499	D489,510 S *
D489,510 S *	5/2004	Hostetler	D99/30	D492,763 S *
D492,763 S *	7/2004	Smith	D23/386	D493,517 S *
D493,517 S *	7/2004	Legg	D23/386	
6,895,958 B1 *	5/2005	Komosky	F24B 1/182	126/25 A
D515,679 S *	2/2006	Borowske	D23/343	D531,848 S *
D531,848 S *	11/2006	Ives	D7/301	D596,528 S *
D596,528 S *	7/2009	Gurewitsch	D11/151	7,886,737 B2 *
7,886,737 B2 *	2/2011	McConnell	F24B 1/198	126/500
D668,748 S *	10/2012	Asofsky	D23/344	8,668,070 B2 *
8,668,070 B2 *	3/2014	Laniado	B65G 15/30	186/45
D713,954 S *	9/2014	Paapsi	D23/409	D715,074 S *
D715,074 S *	10/2014	van der Lande	D6/597	D736,105 S *
D736,105 S *	8/2015	Hoyt	D10/64	D738,477 S *
D738,477 S *	9/2015	Nemes	D23/344	D745,651 S *
D745,651 S *	12/2015	Fu	D23/409	9,247,849 B1 *
9,247,849 B1 *	2/2016	Howes	A47J 37/041	D751,775 S *
D751,775 S *	3/2016	Feliciano	D30/130	2002/0129810 A1 *
2002/0129810 A1 *	9/2002	Wright	F23H 1/00	126/540
2002/0153002 A1 *	10/2002	Lee	F24B 1/193	126/540
2004/0173208 A1 *	9/2004	Lee	F24B 1/193	126/543
2005/0229920 A1 *	10/2005	Grillot	F24C 15/36	126/201
2006/0027227 A1 *	2/2006	Everett	F24B 3/00	126/9 A
2007/0089726 A1 *	4/2007	McNeil	A47J 33/00	126/25 A
2007/0089729 A1 *	4/2007	Moses, Jr.	A47J 33/00	126/30
2007/0128562 A1 *	6/2007	Thomas	F23D 14/02	431/125
2008/0105252 A1 *	5/2008	Barbour	F24B 3/00	126/521
2008/0230044 A1 *	9/2008	Warner	A47J 37/079	126/25 B
2009/0325114 A1 *	12/2009	Noman	F23C 6/02	431/354
2013/0068210 A1 *	3/2013	Koelzer	F24B 1/193	126/152 B
2013/0306049 A1 *	11/2013	Powers	F23H 5/00	126/152 B
2014/0096440 A1 *	4/2014	Francis	C10L 5/365	44/521
2014/0251306 A1 *	9/2014	Byberg	F24B 1/193	126/542
2014/0363553 A1 *	12/2014	Peters	A23L 1/0014	426/392
2015/0168009 A1 *	6/2015	Otway	F24F 13/20	150/165
2016/0081514 A1 *	3/2016	Cauble	A47J 33/00	426/523

* cited by examiner

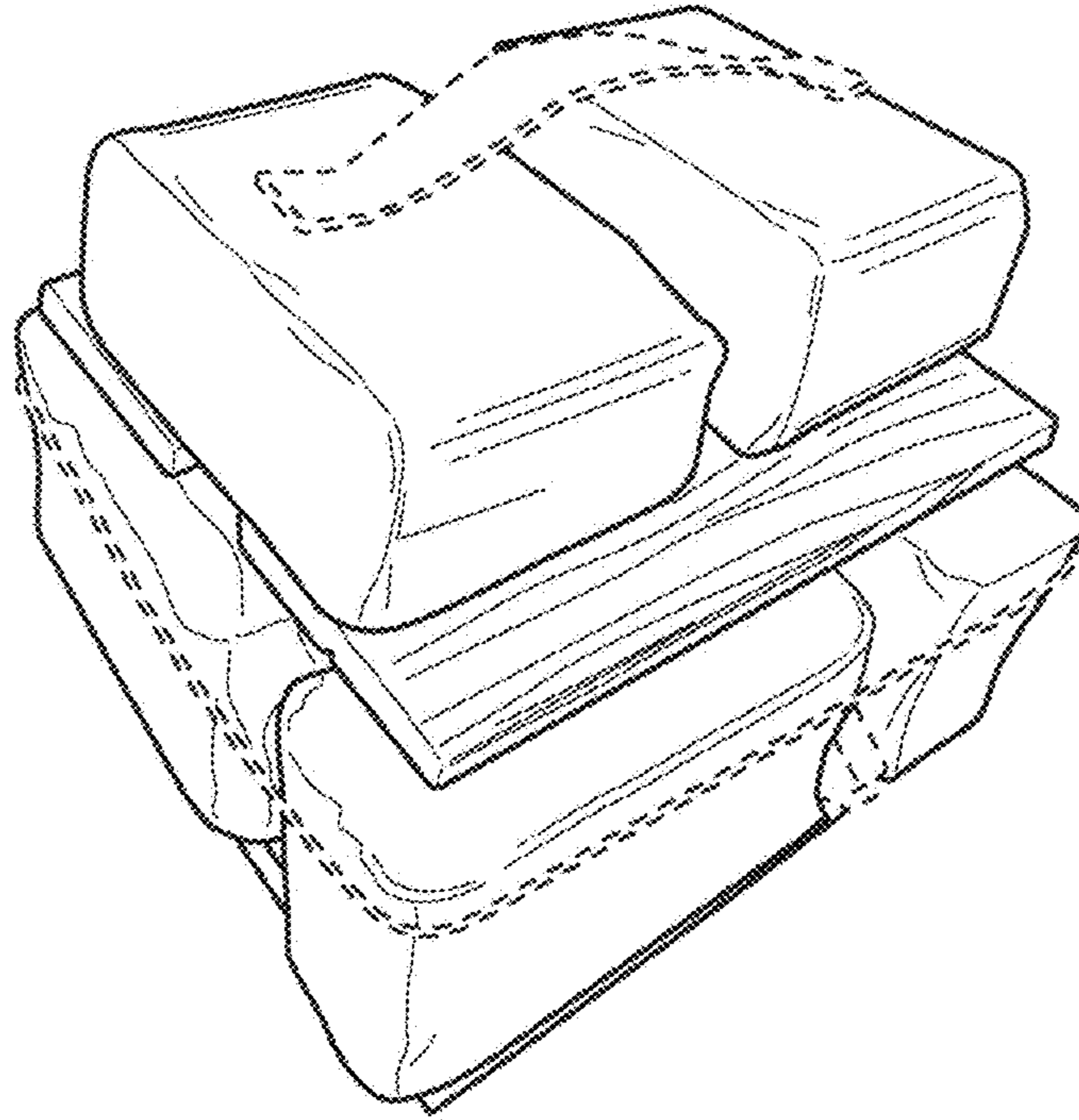


FIG. 1

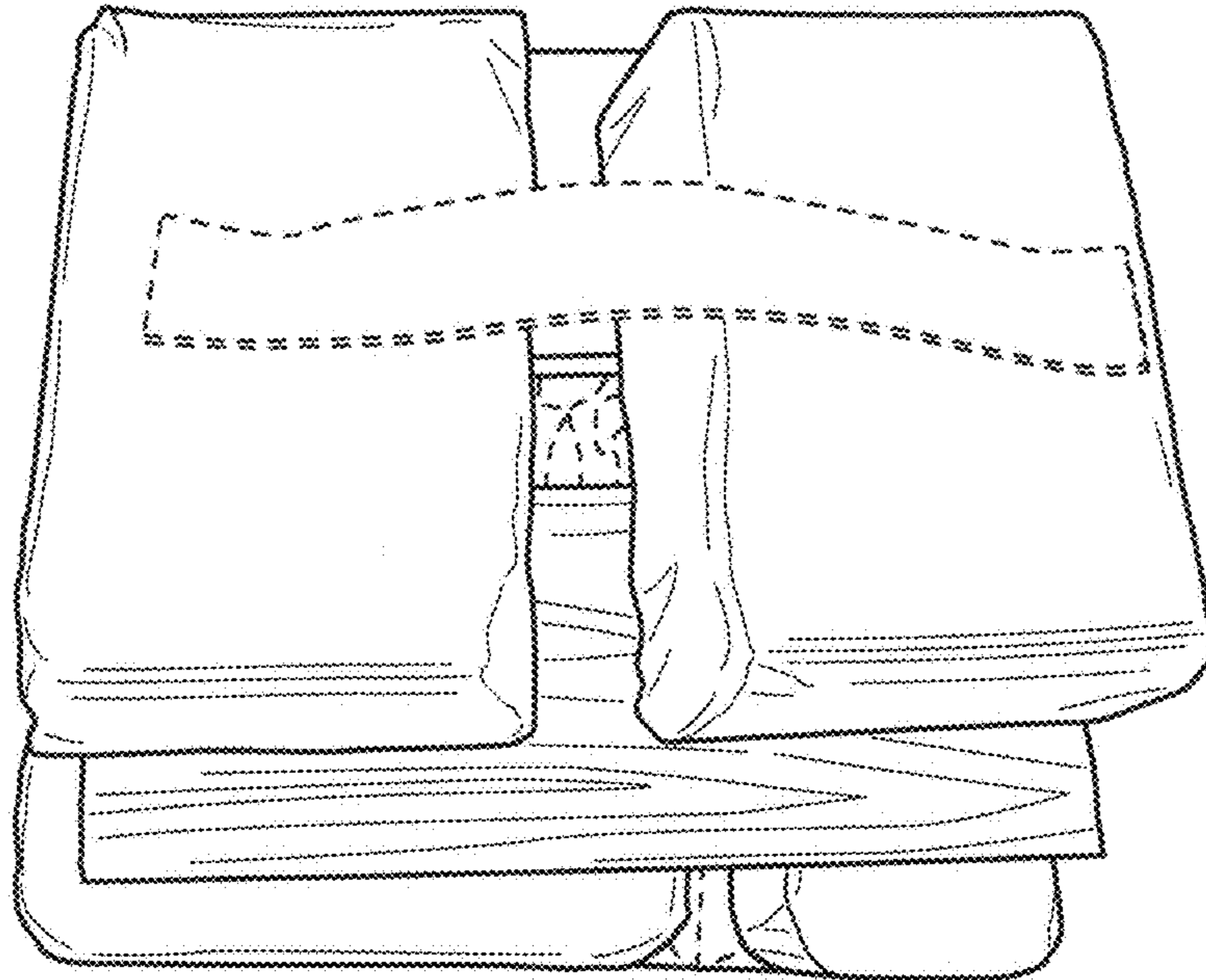


FIG. 2

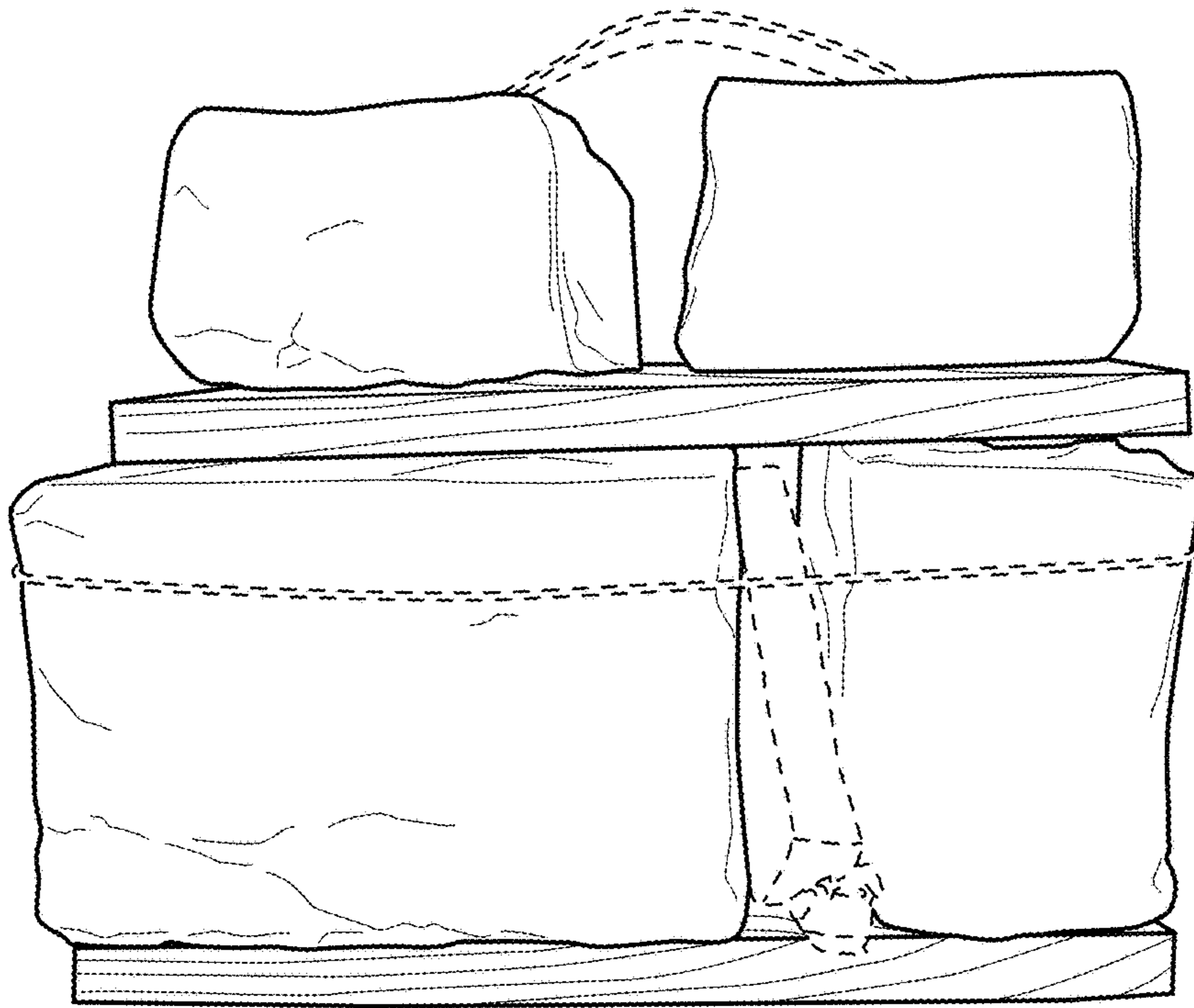


FIG. 3

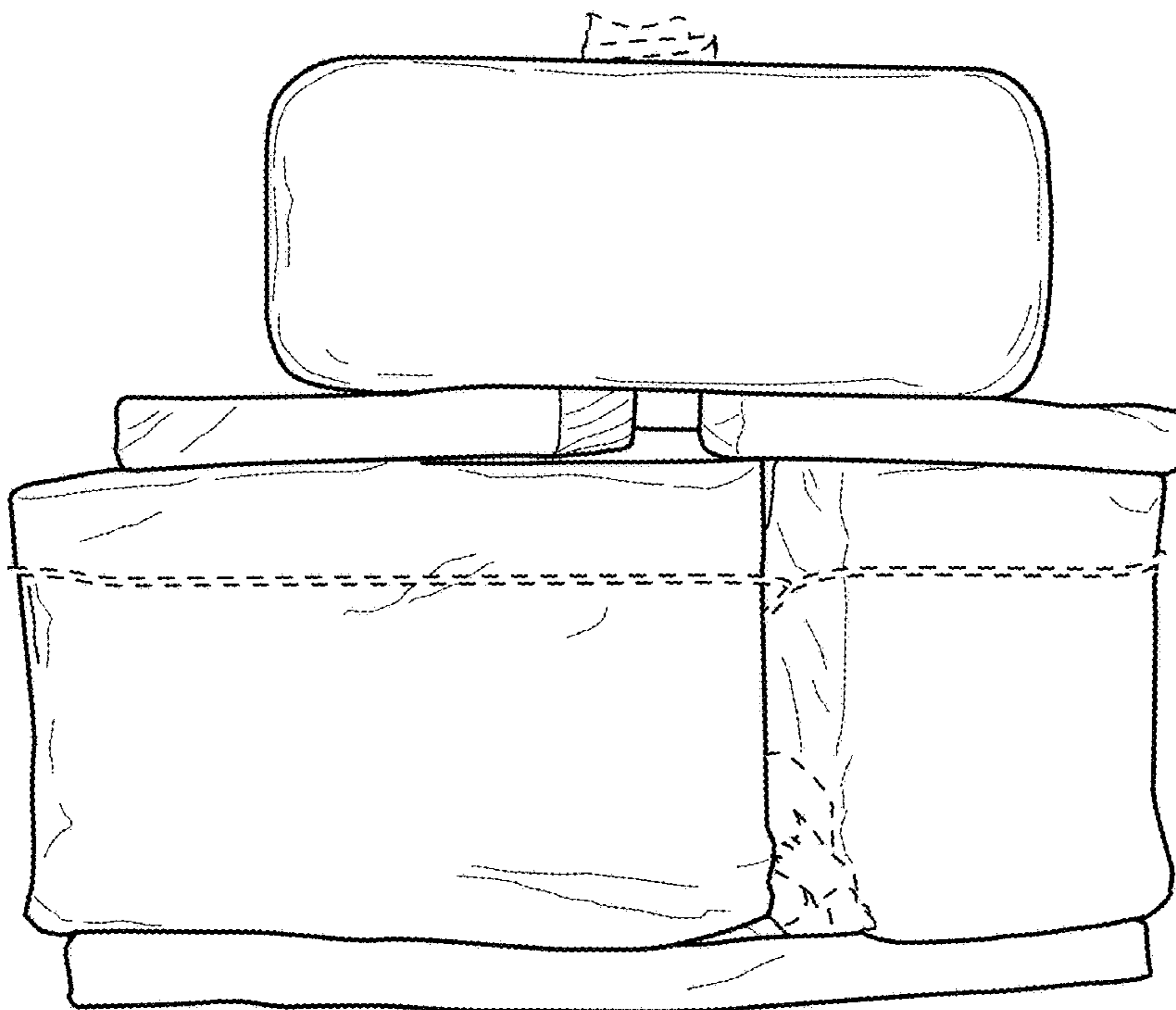


FIG. 4

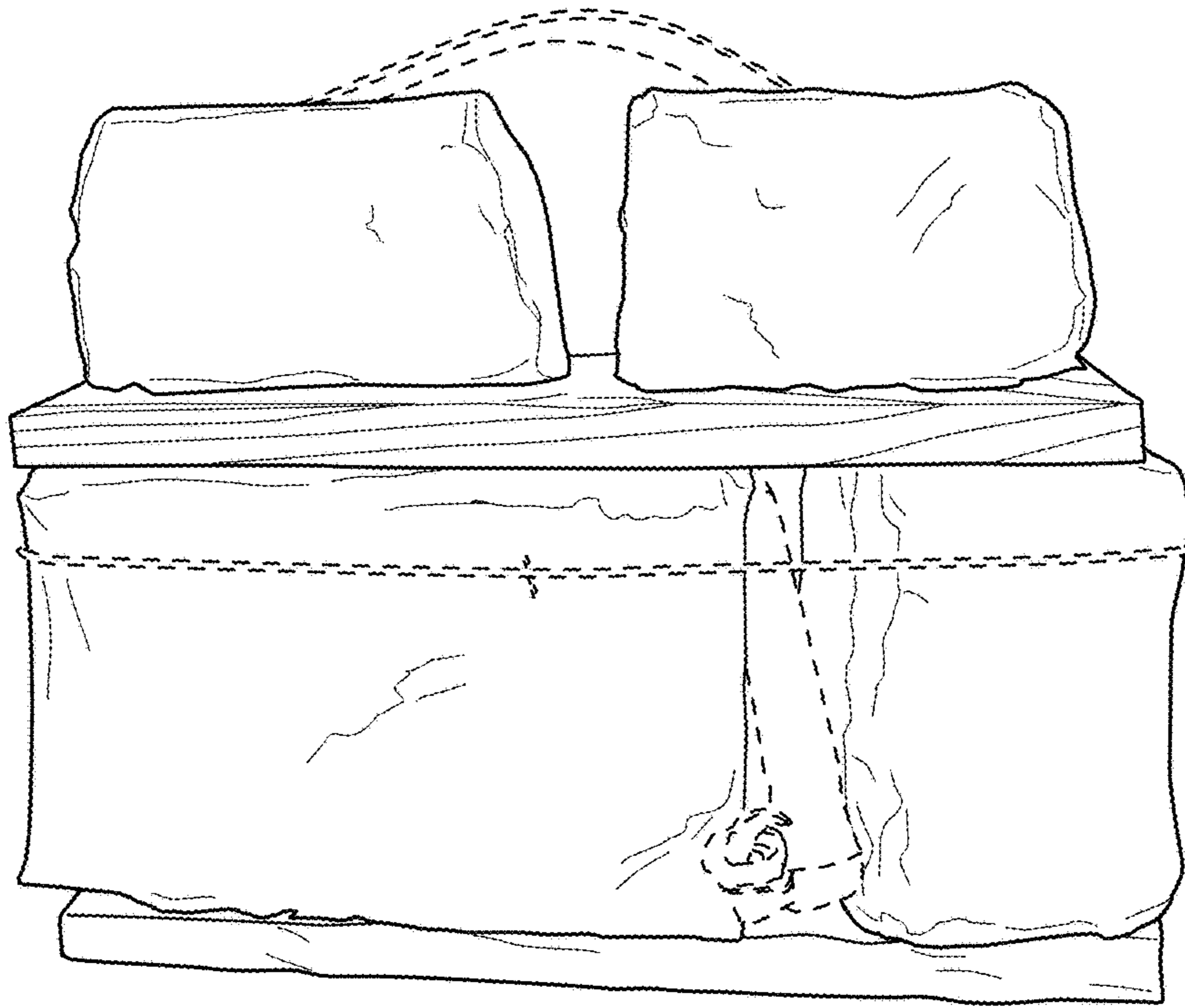


FIG. 5

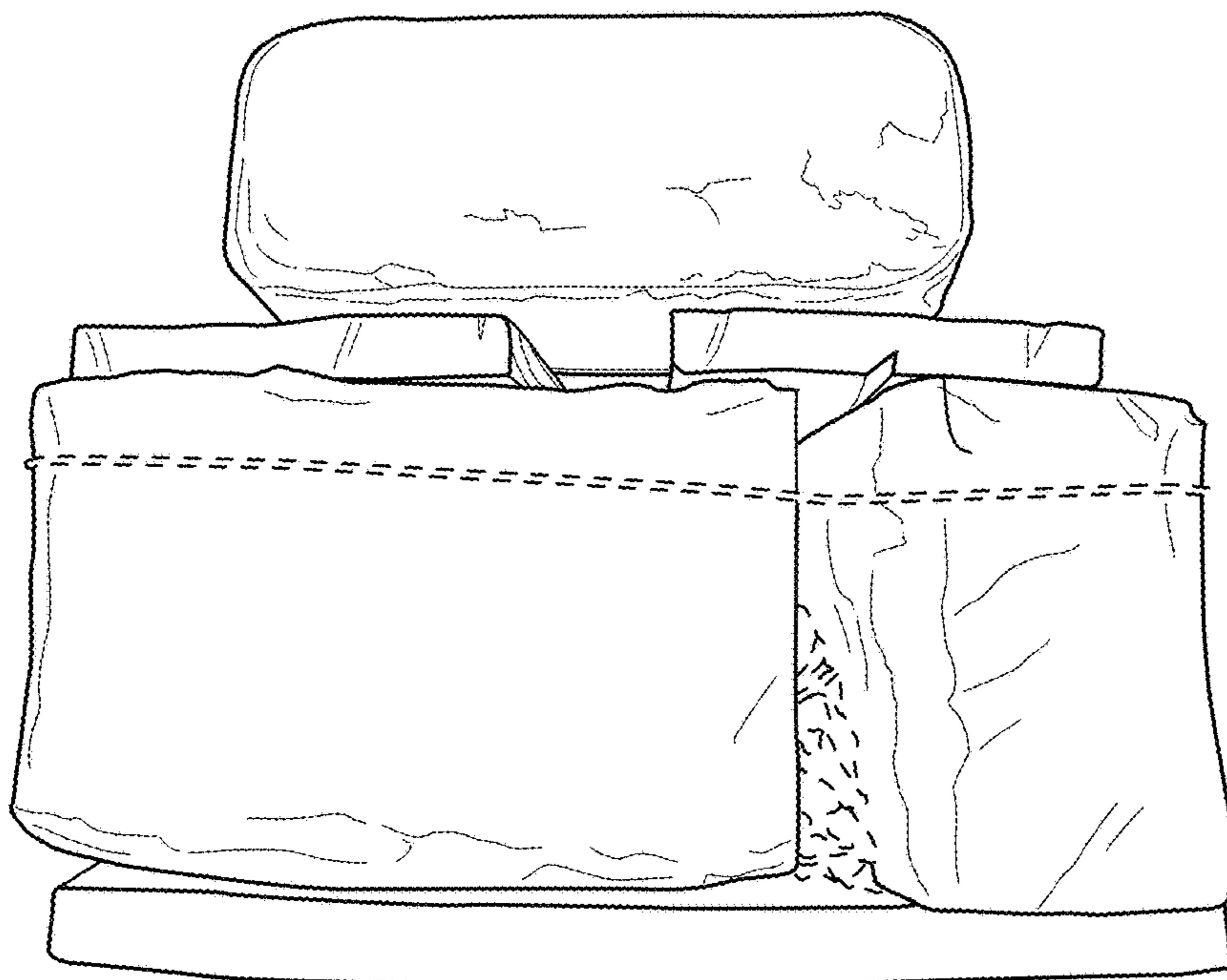


FIG. 6