



US00D777312S

(12) **United States Design Patent**
Badarello et al.

(10) **Patent No.:** **US D777,312 S**
(45) **Date of Patent:** **** Jan. 24, 2017**

- (54) **CEILING FAN**
- (71) Applicant: **Hunter Fan Company**, Memphis, TN (US)
- (72) Inventors: **Christophe Badarello**, Holly Springs, MS (US); **Ben Guthrie**, Memphis, TN (US)
- (73) Assignee: **Hunter Fan Company**, Memphis, TN (US)
- (**) Term: **14 Years**
- (21) Appl. No.: **29/512,775**
- (22) Filed: **Dec. 22, 2014**
- (51) **LOC (10) Cl.** **23-04**
- (52) **U.S. Cl.**
USPC **D23/377**
- (58) **Field of Classification Search**
USPC D23/370, 381, 382, 377, 379, 385, 387, D23/411-414, 499; 416/1, 5, 170 R, 416/214 R, 184, 206, 207, 210 R, 220 R, 416/244 R, 248; 392/364; D26/59, 51, 72, D26/73, 80-86, 88, 90
CPC F04D 25/088; F04D 29/601; F04D 29/322; F04D 29/324; F04D 29/38
See application file for complete search history.

(56) **References Cited**

U.S. PATENT DOCUMENTS

- D128,142 S * 7/1941 Moskowitz D23/382
- 2,259,853 A * 10/1941 Koch F04D 29/703
416/247 R
- D187,699 S * 4/1960 van Rijn D23/379
- 3,347,452 A * 10/1967 Radcliffe F04D 29/703
416/170 R
- 4,064,427 A * 12/1977 Hansen F21S 8/065
362/96
- 4,342,073 A * 7/1982 Ranten F04D 25/088
362/147

- 4,657,485 A * 4/1987 Hartwig F04D 29/703
362/96
- 4,750,863 A * 6/1988 Scoggins F24F 13/28
416/146 R
- 4,818,183 A * 4/1989 Schaefer F04D 29/70
416/247 R
- D315,404 S * 3/1991 Dufour D23/377
- 5,240,378 A * 8/1993 Janisse B65D 81/051
206/320
- 5,660,367 A * 8/1997 Rush F16M 1/00
248/302
- D426,879 S * 6/2000 Gajewski D23/377
- 6,193,384 B1 * 2/2001 Stein F04D 25/088
362/812
- 6,354,801 B1 * 3/2002 Gajewski F04D 25/088
415/121.2
- D478,981 S * 8/2003 Frampton D23/411
- D482,112 S * 11/2003 Miller D23/377

(Continued)

Primary Examiner — Susan Bennett Hattan
Assistant Examiner — Marie Fast Horse
(74) *Attorney, Agent, or Firm* — McGarry Bair PC

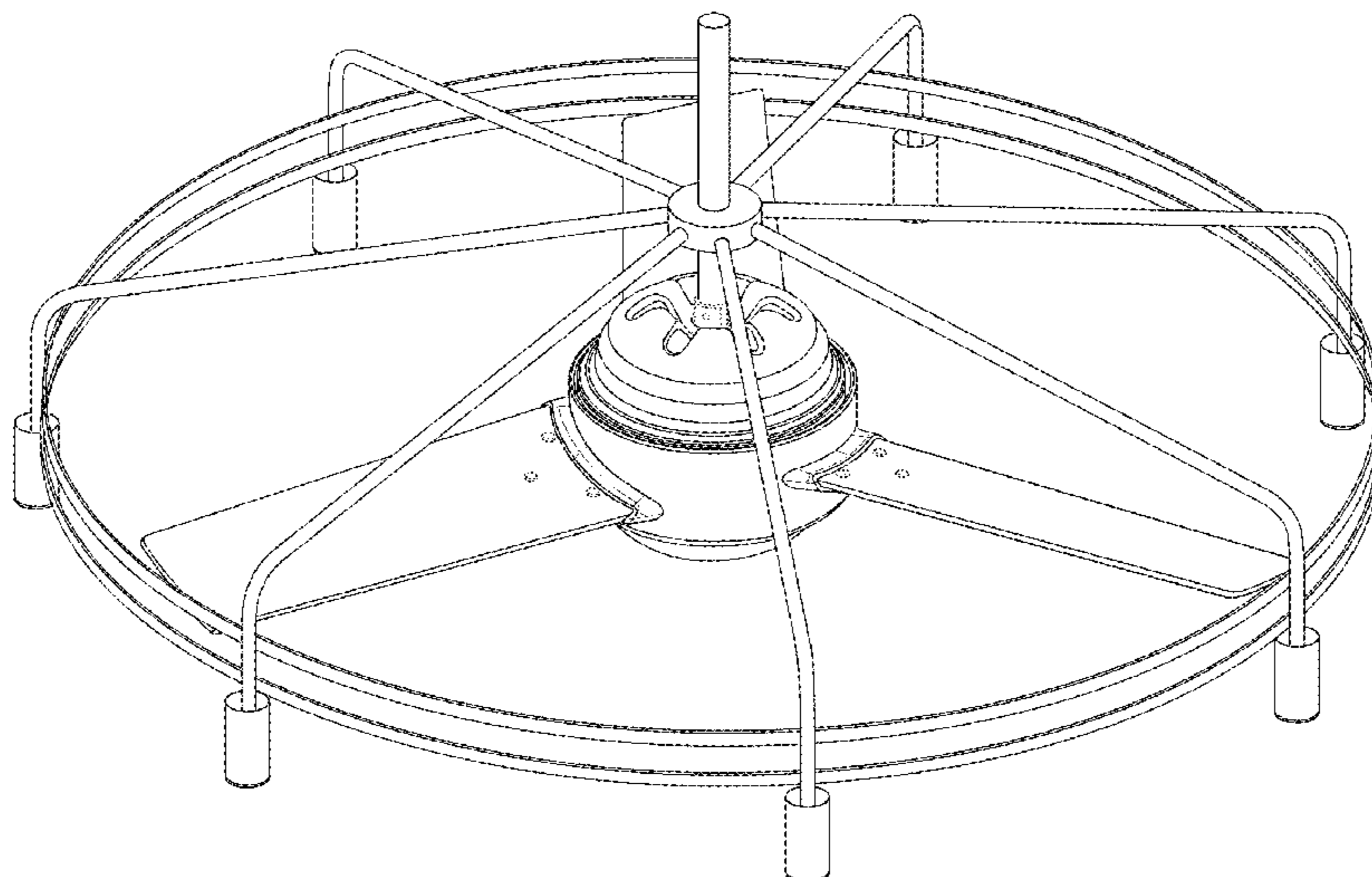
(57) **CLAIM**

Applicant claims the ornamental design for a ceiling fan, as shown and described.

DESCRIPTION

FIG. 1 is a perspective view of a ceiling fan showing our new design;
FIG. 2 is a front elevation view thereof; the rear is a mirror image of the front view;
FIG. 3 is a right side elevation view thereof; the left side is a mirror image of the right side view;
FIG. 4 is a top view thereof; and,
FIG. 5 is a bottom view thereof.
The broken lines consisting of short dashes showing the Down-rod collar seen just above the motor housing and the screws depict the structural hardware portions of the ceiling fan and form no part of the claimed design.

1 Claim, 5 Drawing Sheets



(56)

References Cited

U.S. PATENT DOCUMENTS

D493,217 S * 7/2004 Spina D23/377
D548,320 S * 8/2007 Frampton D23/411
D557,398 S * 12/2007 Moore D23/382
D605,333 S * 12/2009 Miranda D26/88
9,028,085 B2 * 5/2015 Todd, Jr. F04D 29/00
362/147
2009/0072108 A1 * 3/2009 Oleson F04D 25/088
248/282.1
2010/0316495 A1 * 12/2010 Todd, Jr. F04D 25/088
416/5
2013/0101416 A1 * 4/2013 Todd F04D 29/00
416/5
2013/0114245 A1 * 5/2013 Todd, Jr. F21V 33/0096
362/96

* cited by examiner

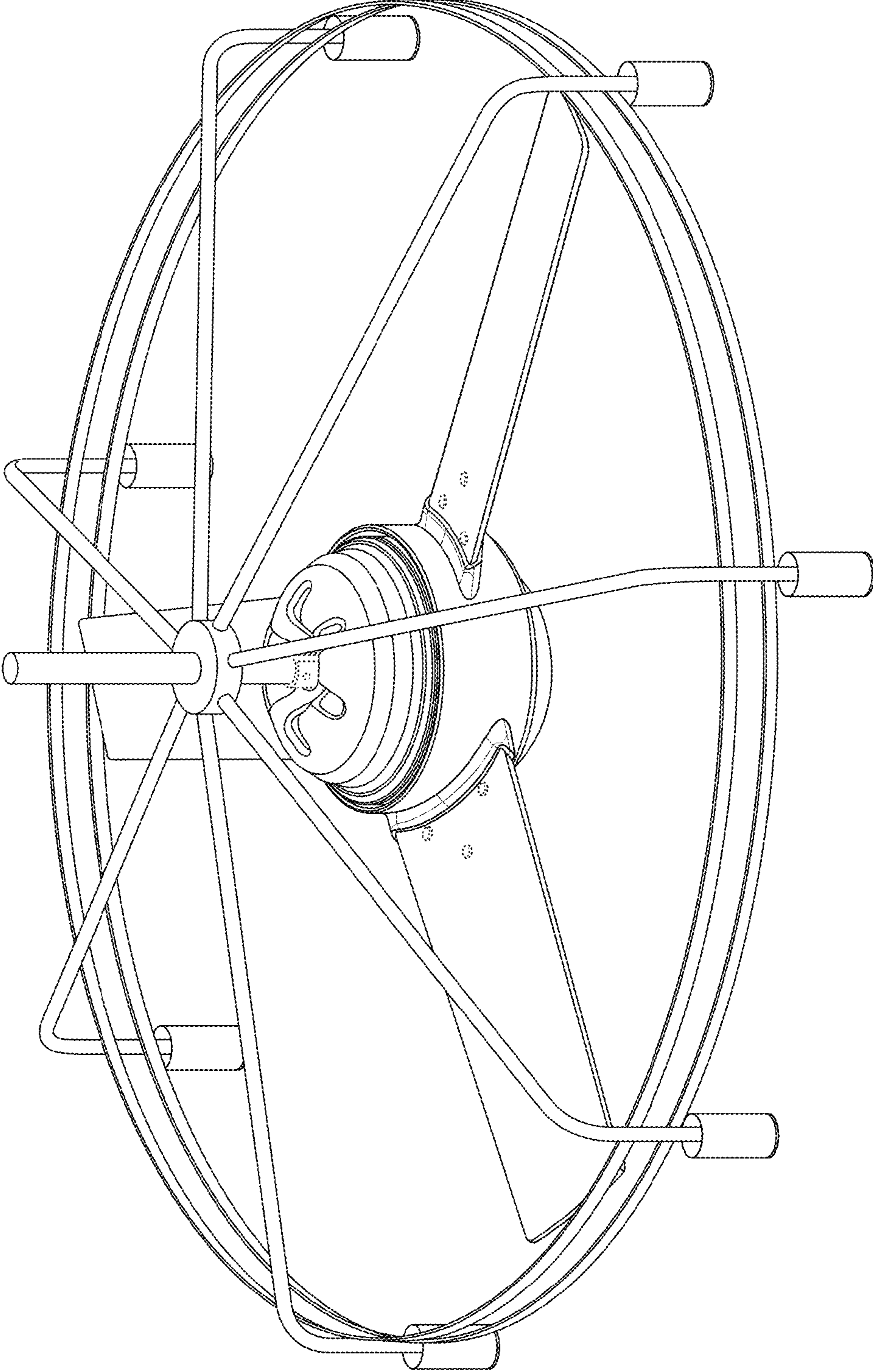


FIG. 1

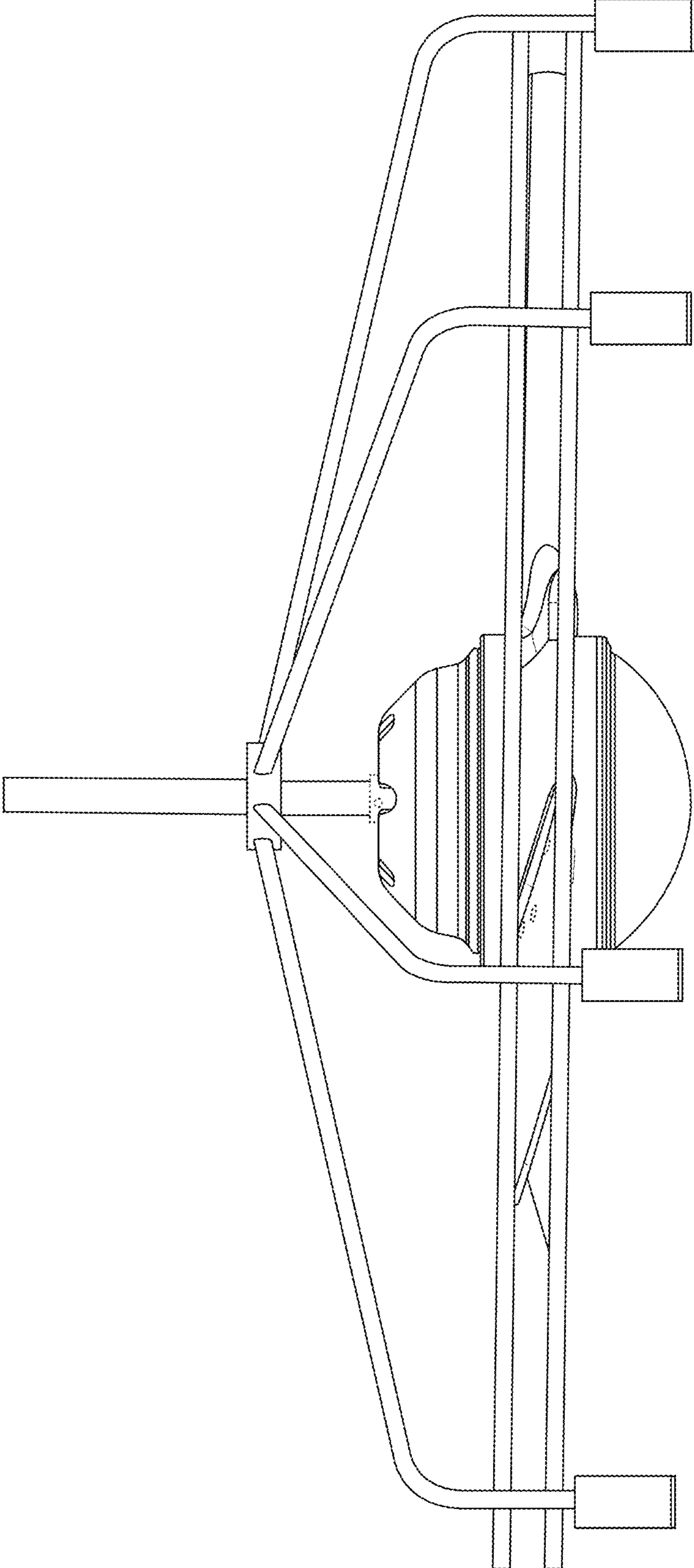


FIG. 2

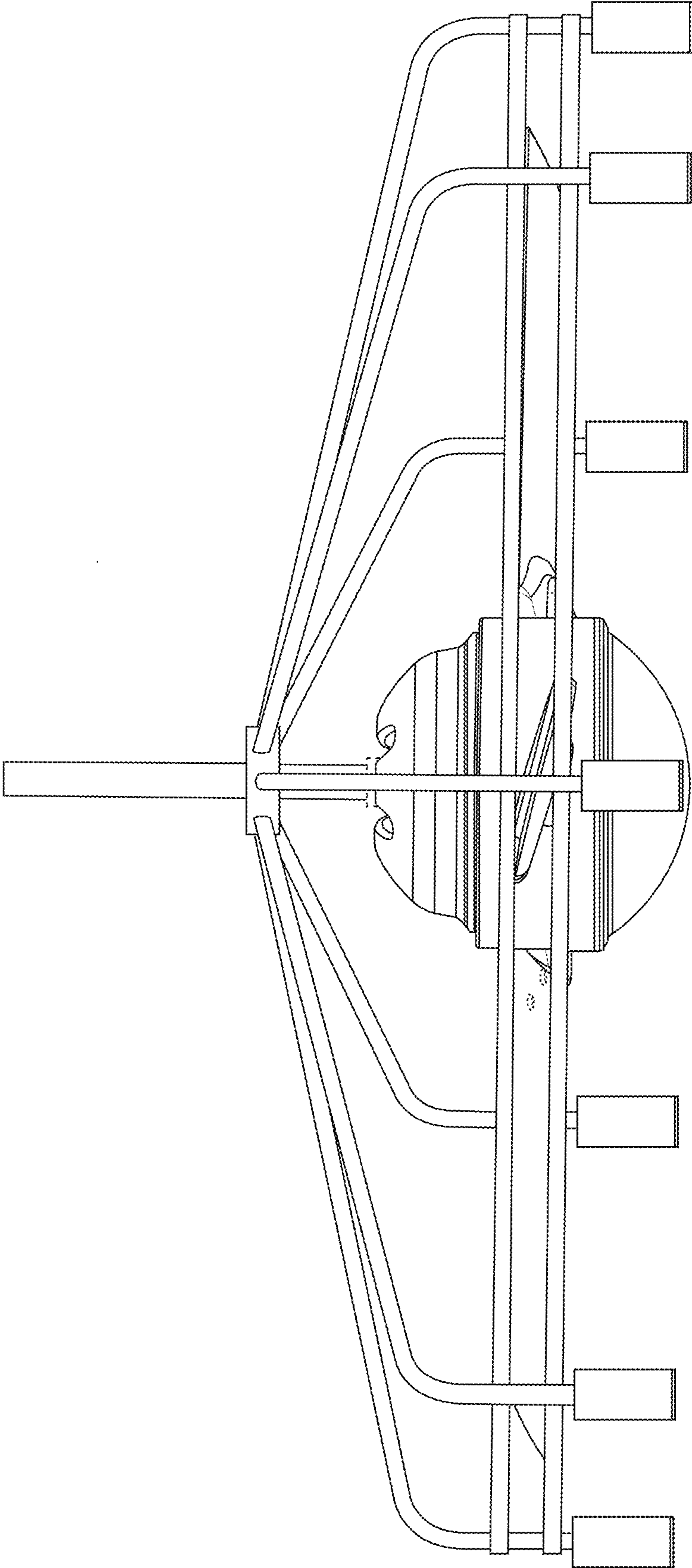


FIG. 3

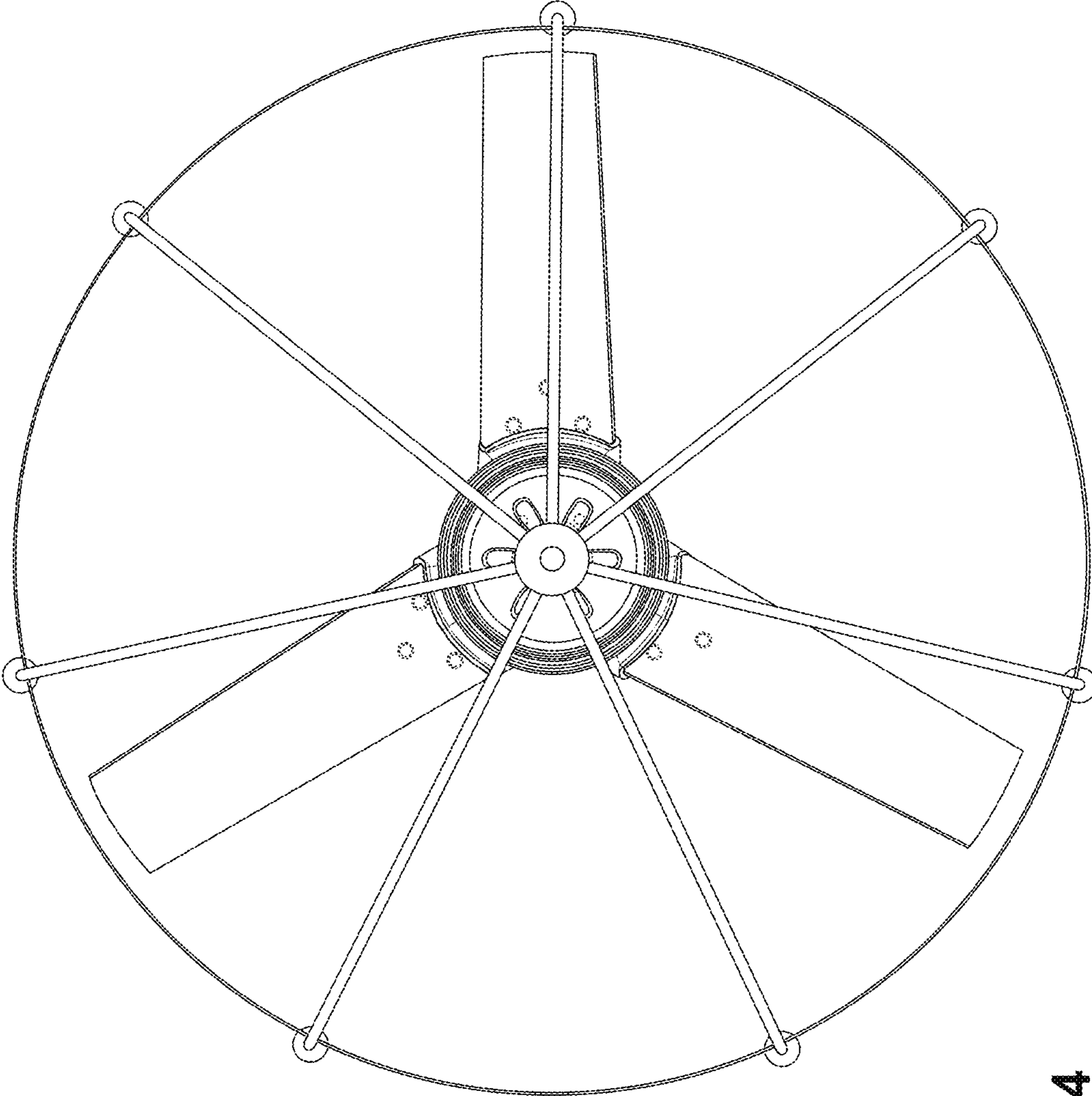


FIG. 4

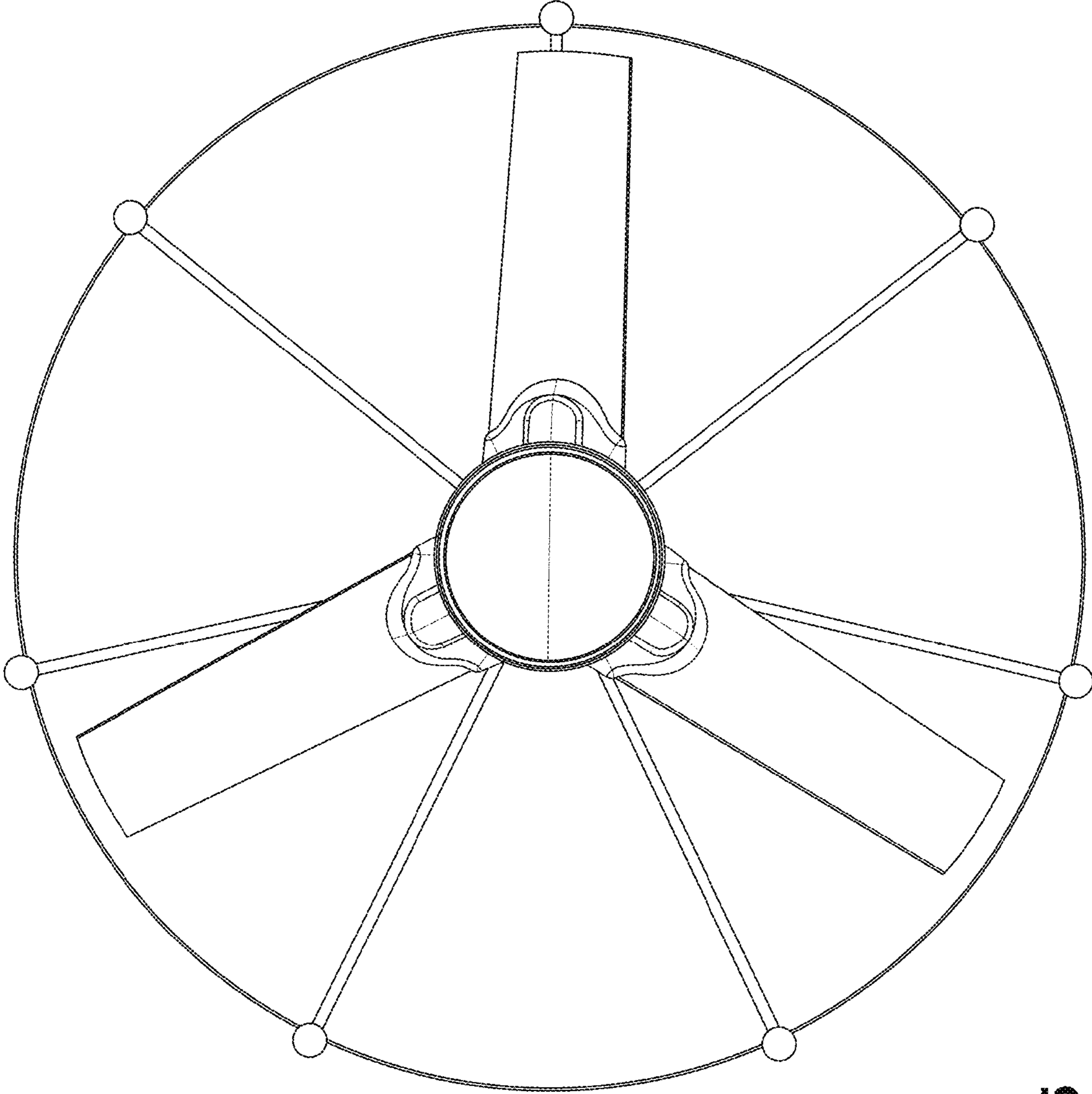


FIG. 5